

US00D515126S

(12) **United States Design Patent** (10) **Patent No.:** **US D515,126 S**  
**Morishita et al.** (45) **Date of Patent:** **\*\* Feb. 14, 2006**

(54) **VIDEO PROJECTOR**

D498,781 S \* 11/2004 Azuma et al. .... D16/230

(75) Inventors: **Yoshihito Morishita, Neyagawa (JP);  
Sadayoshi Azuma, Kyoto (JP)**

**FOREIGN PATENT DOCUMENTS**

JP	D 1092912	12/2000
JP	D 1102869	3/2001
JP	D 1201428	4/2004
JP	D 1201437	4/2004
JP	D 1201740	4/2004

(73) Assignee: **Matsushita Electric Industrial Co.,  
Ltd., Osaka (JP)**

(\*\*) Term: **14 Years**

**OTHER PUBLICATIONS**

(21) Appl. No.: **29/210,155**

Catalog of DLP Projector Issued by Seiko Epson Corp., Mar. 2003.

(22) Filed: **Jul. 28, 2004**

Catalog of DLP Projector Issued by SANYO Electric Co., Ltd., Oct. 2003.

(30) **Foreign Application Priority Data**

Catalog of DLP Projector Issued by CASIO Computer Co., Ltd., Mar. 2004.

May 27, 2004 (JP) ..... 2004-015610

(51) **LOC (8) Cl.** ..... **16-02**

\* cited by examiner

(52) **U.S. Cl.** ..... **D16/230; D16/225**

(58) **Field of Classification Search** ..... D16/205,  
D16/208, 213, 221, 225, 230, 231, 234; D21/514;  
353/115, 119, 122

*Primary Examiner*—Adir Aronovich

See application file for complete search history.

(74) *Attorney, Agent, or Firm*—Brinks Hoffer Gilson & Lione

(56) **References Cited**

(57) **CLAIM**

**U.S. PATENT DOCUMENTS**

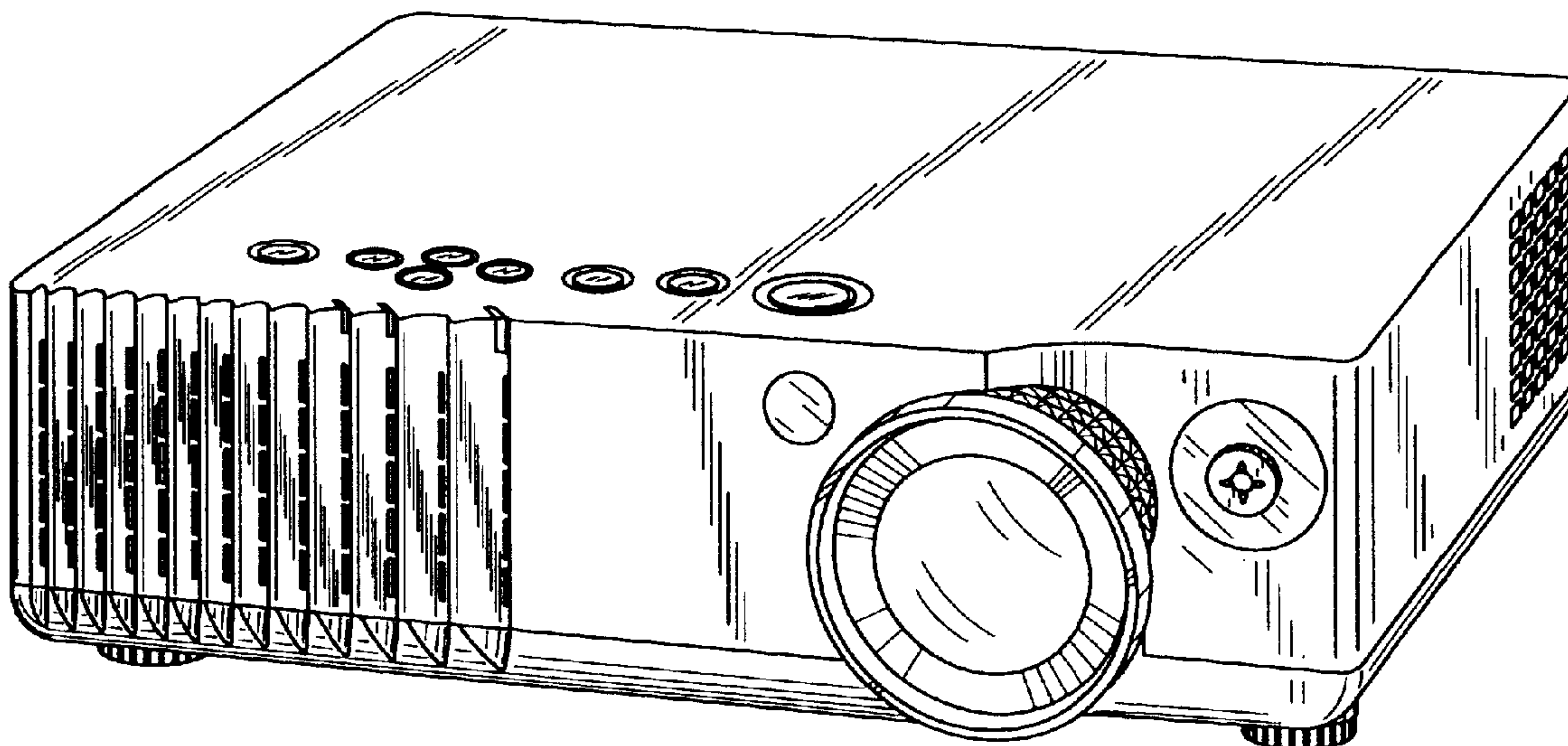
We claim the ornamental design for a video projector, as shown and described.

D391,950 S	3/1998	Takami et al.	
D401,955 S	12/1998	Kawamoto et al.	
D402,679 S	12/1998	Kawamoto et al.	
D418,532 S	1/2000	Kuramoto et al.	
D421,037 S	2/2000	Kawamoto et al.	
D425,097 S	5/2000	Kuramoto	
D439,923 S	4/2001	Kawamoto	
D454,903 S	3/2002	Kawamoto et al.	
D475,389 S	* 6/2003	Kurokawa	..... D16/230
D476,353 S	6/2003	Morishita et al.	
D480,410 S	* 10/2003	Morishita et al.	..... D16/230
D491,973 S	* 6/2004	Morishita et al.	..... D16/230
6,742,900 B2	* 6/2004	Fujimori	..... 353/119

**DESCRIPTION**

FIG. 1 is a top perspective view of a video projector of the present invention;  
FIG. 2 is a front view thereof;  
FIG. 3 is a bottom view thereof;  
FIG. 4 is a first side view thereof;  
FIG. 5 is a second side view thereof;  
FIG. 6 is a top view thereof; and,  
FIG. 7 is a rear view thereof.

**1 Claim, 7 Drawing Sheets**



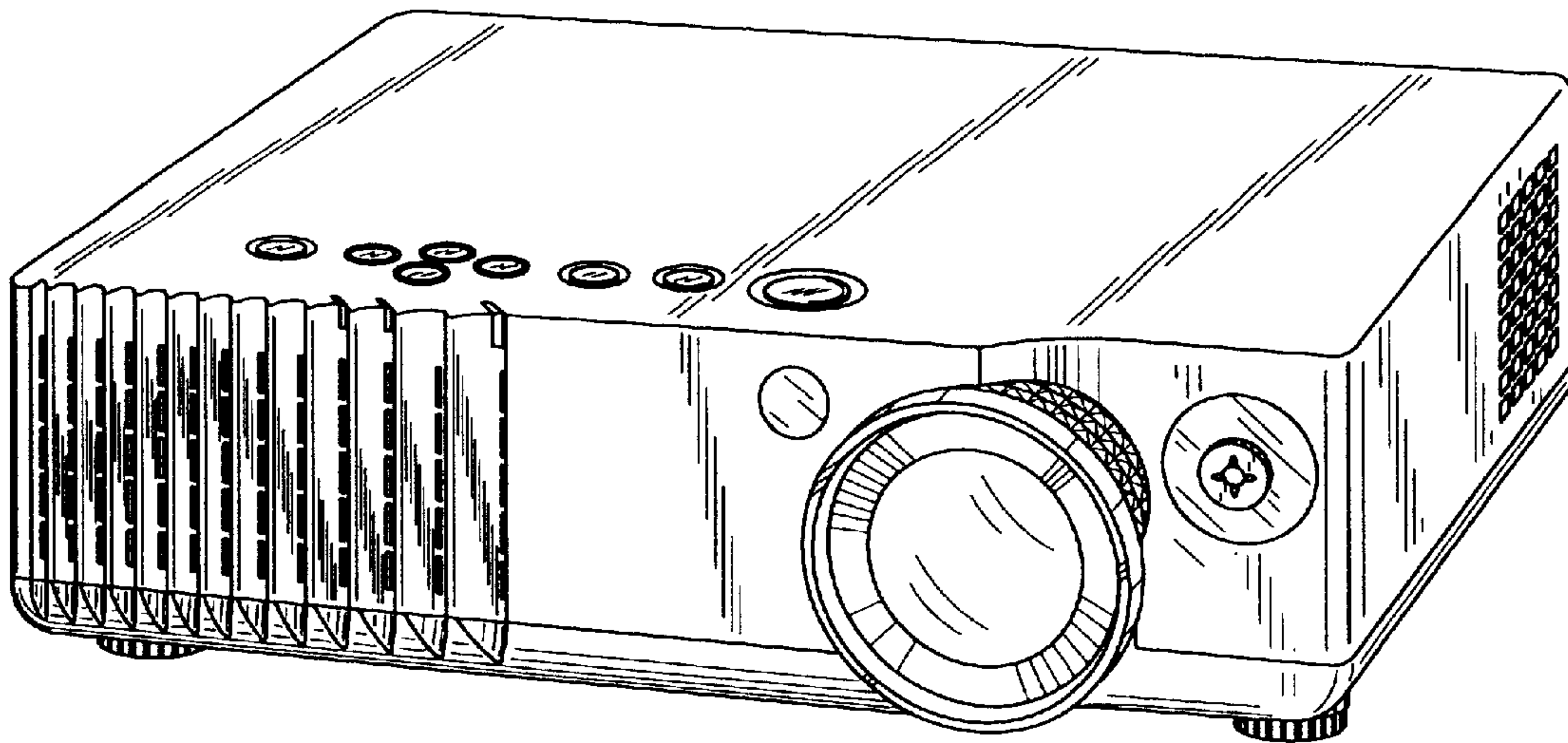


FIG. 1

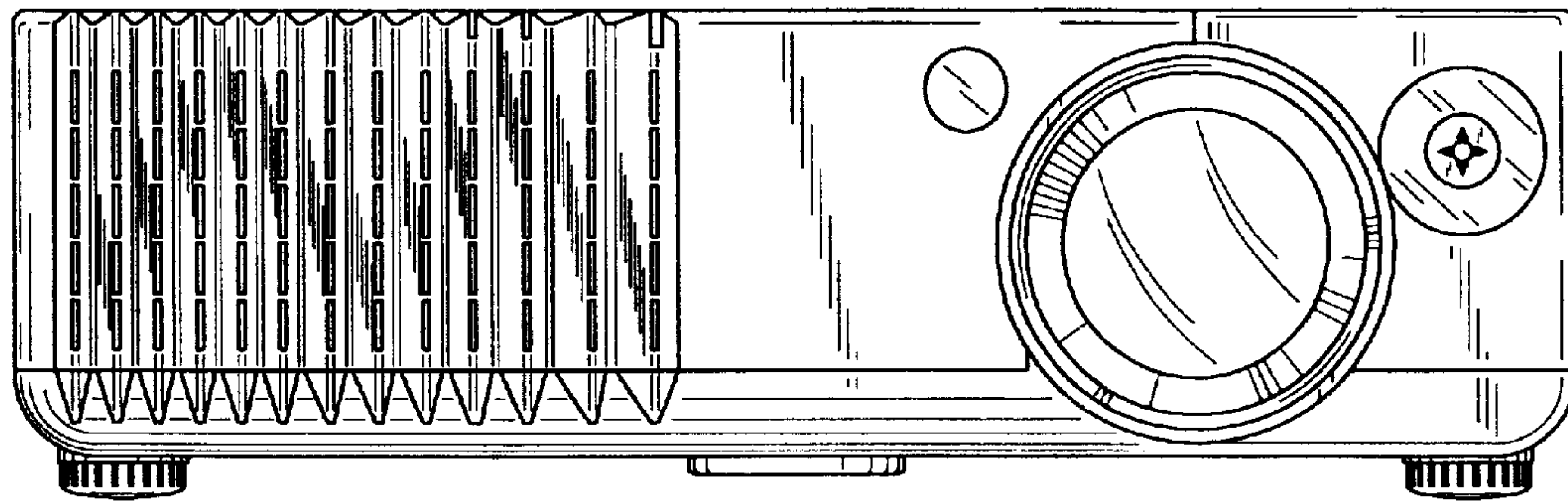


FIG. 2

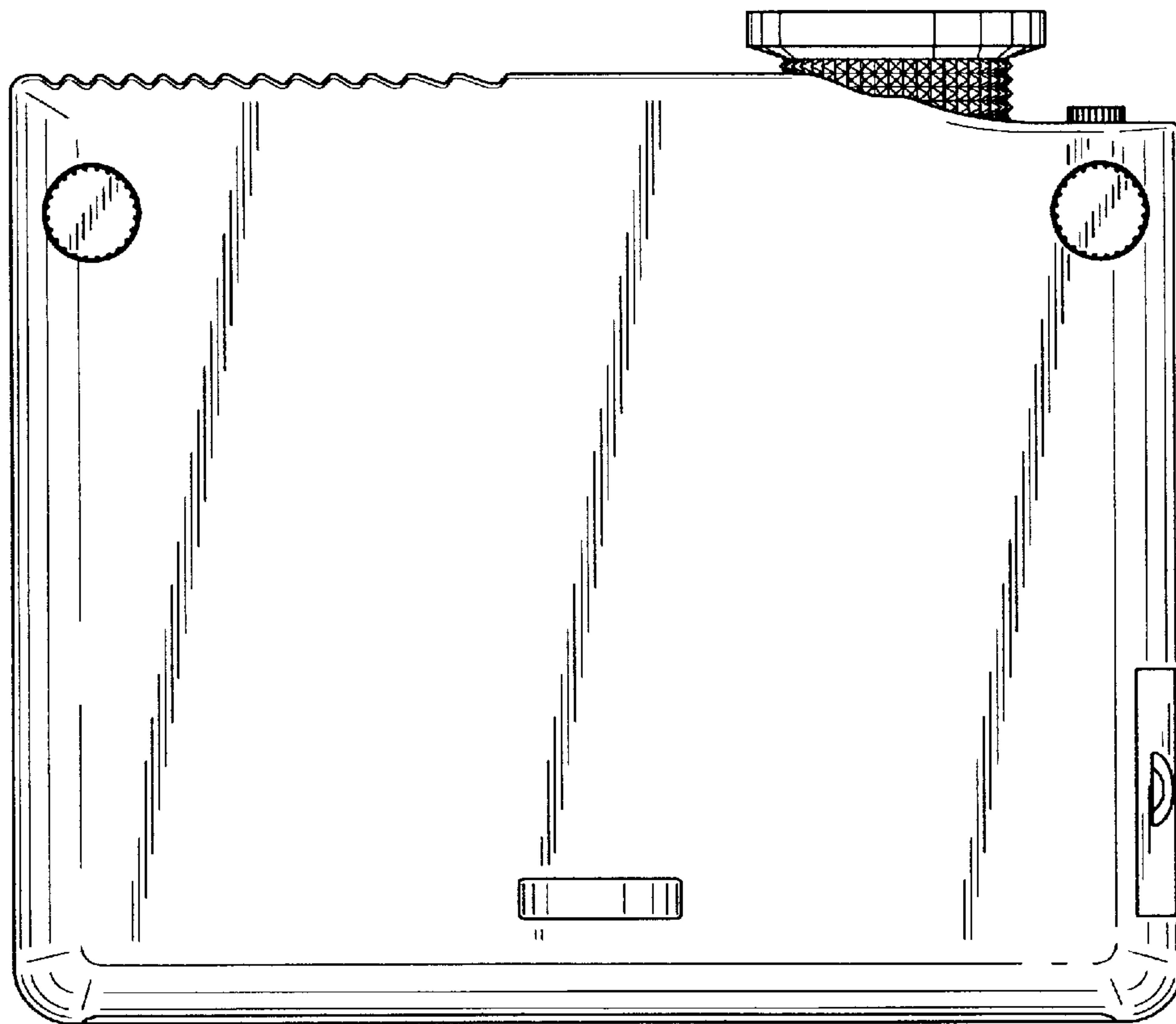
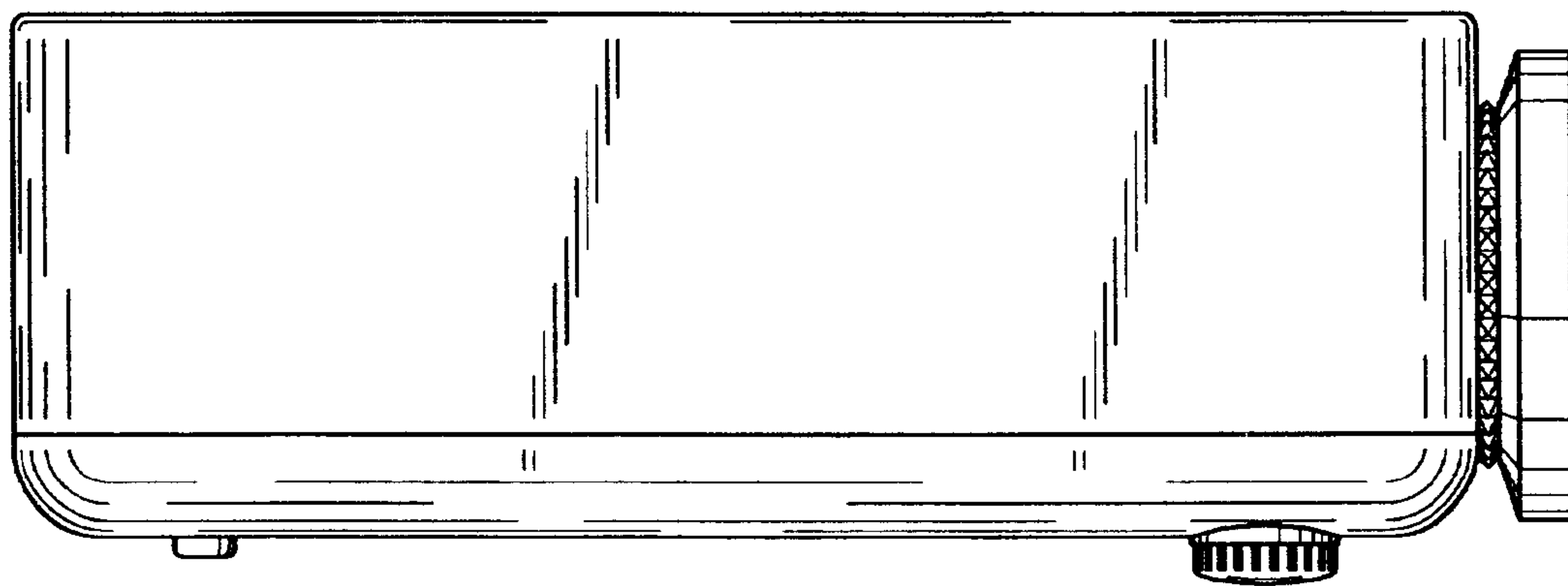
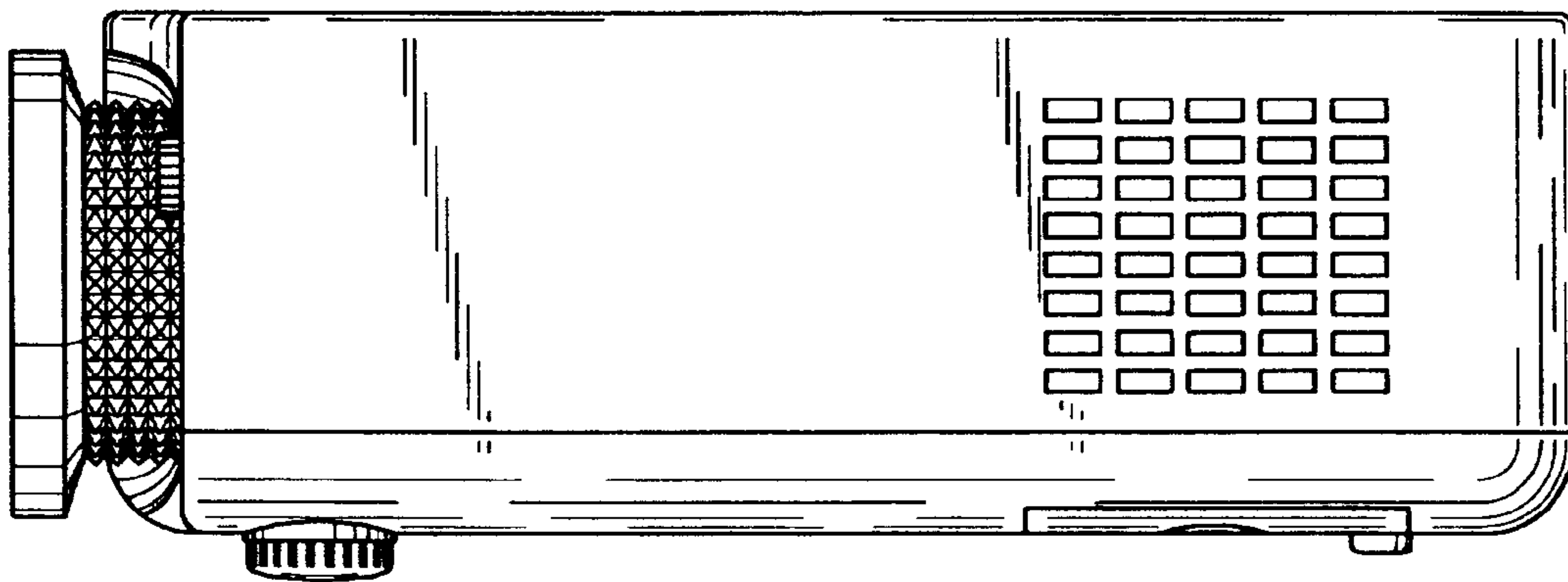


FIG. 3



**FIG. 4**



**FIG. 5**



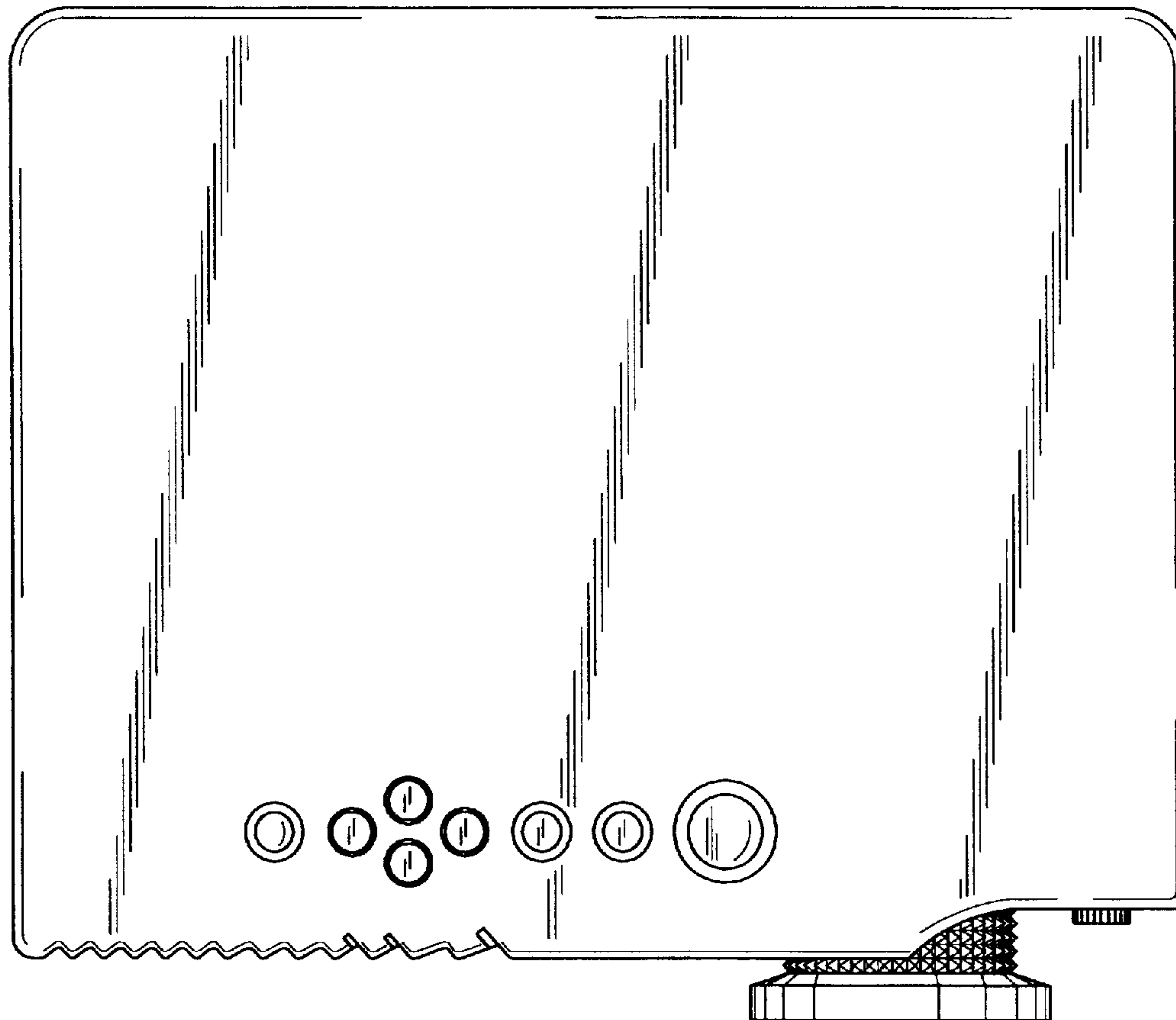
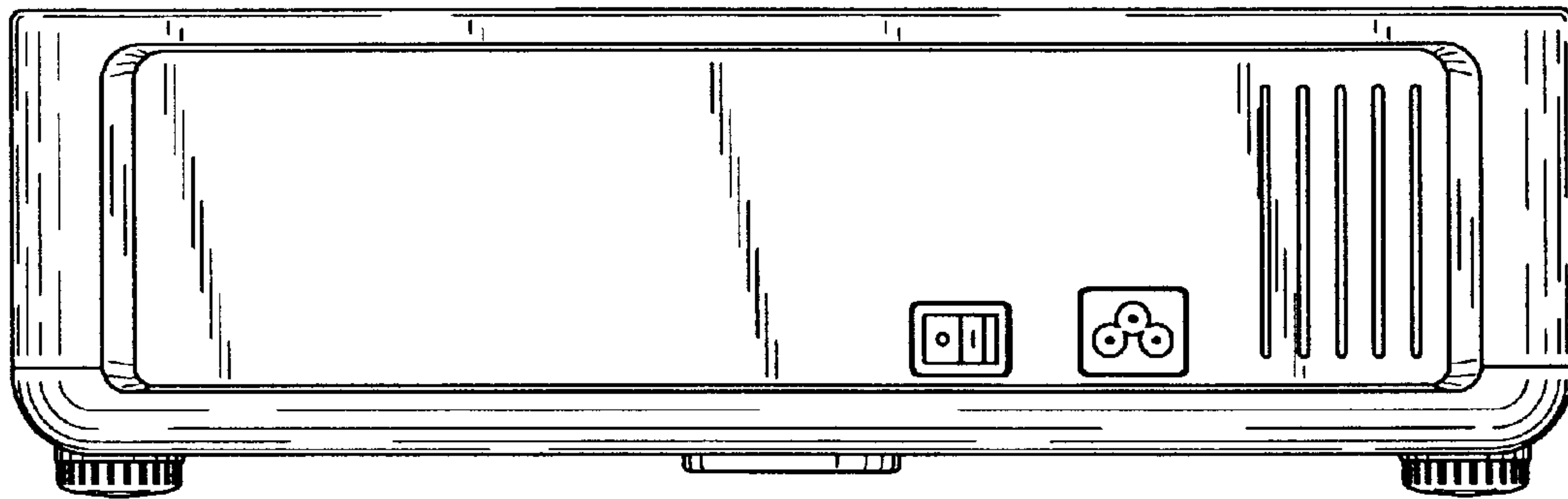


FIG. 6



**FIG. 7**