

US00D515125S

(12) **United States Design Patent**
Onuma

(10) **Patent No.:** **US D515,125 S**
(45) **Date of Patent:** **** Feb. 14, 2006**

(54) **DIGITAL CAMERA**

(75) **Inventor:** **Koki Onuma, Tokyo (JP)**

(73) **Assignee:** **PENTAX Corporation, Tokyo (JP)**

(**) **Term:** **14 Years**

(21) **Appl. No.:** **29/210,936**

(22) **Filed:** **Aug. 10, 2004**

(30) **Foreign Application Priority Data**

Feb. 10, 2004 (JP) 2004-003378

(51) **LOC (8) Cl.** **16-01**

(52) **U.S. Cl.** **D16/219; D16/202**

(58) **Field of Classification Search** D16/200–206,
D16/208, 218, 219; 348/81, 373, 374–376;
358/906; 396/535–541

See application file for complete search history.

(56) **References Cited**

U.S. PATENT DOCUMENTS

5,499,052 A	*	3/1996	Nakanishi et al.	348/373
D439,263 S	*	3/2001	Shiotani	D16/202
D445,814 S	*	7/2001	Oki et al.	D16/202
D445,816 S	*	7/2001	Tanaka	D16/203
D450,741 S	*	11/2001	Oka	D16/219
D476,022 S	*	6/2003	Sumita	D16/202

D477,009 S	*	7/2003	Ikenaga	D16/219
D502,478 S	*	3/2005	Inuma et al.	D16/202
D505,686 S	*	5/2005	Ikenaga	D16/202

FOREIGN PATENT DOCUMENTS

JP	1084238	9/2000
JP	1162701	1/2003

* cited by examiner

Primary Examiner—Adir Aronovich

(74) *Attorney, Agent, or Firm*—Sughrue Mion, PLLC

(57) **CLAIM**

The ornamental design for a digital camera, as shown and described.

DESCRIPTION

FIG. 1 is a perspective view of the top, front and right side of a digital camera showing my new design; FIG. 2 is a front elevational view thereof; FIG. 3 is a rear elevational view thereof; FIG. 4 is a right side elevational view thereof; FIG. 5 is a left side elevational view thereof; FIG. 6 is a top plan view thereof; and, FIG. 7 is a bottom plan view thereof.

The elements shown in broken lines are for illustrative purposes only and form no part of the claimed design.

1 Claim, 7 Drawing Sheets

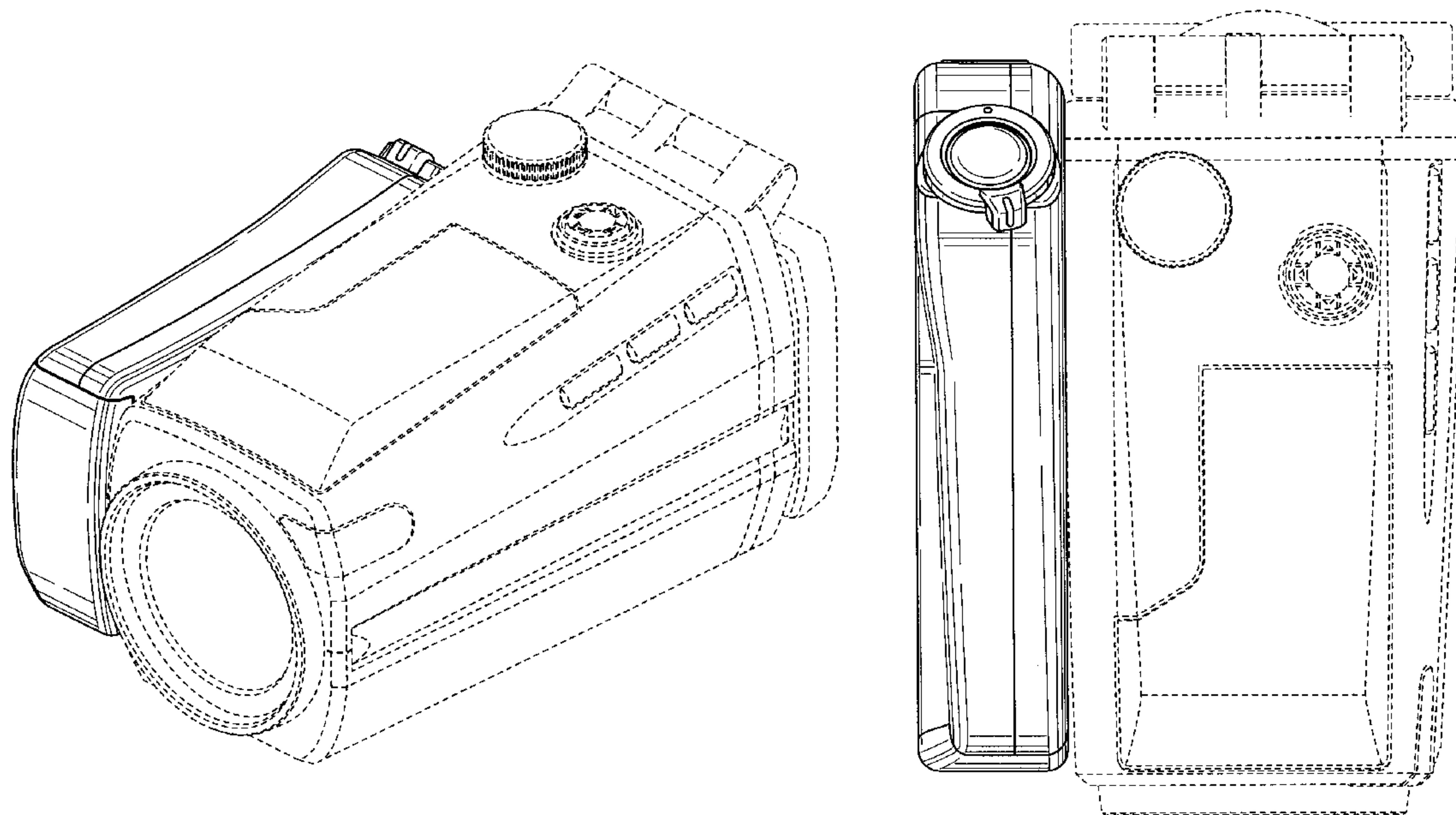


FIG. 1

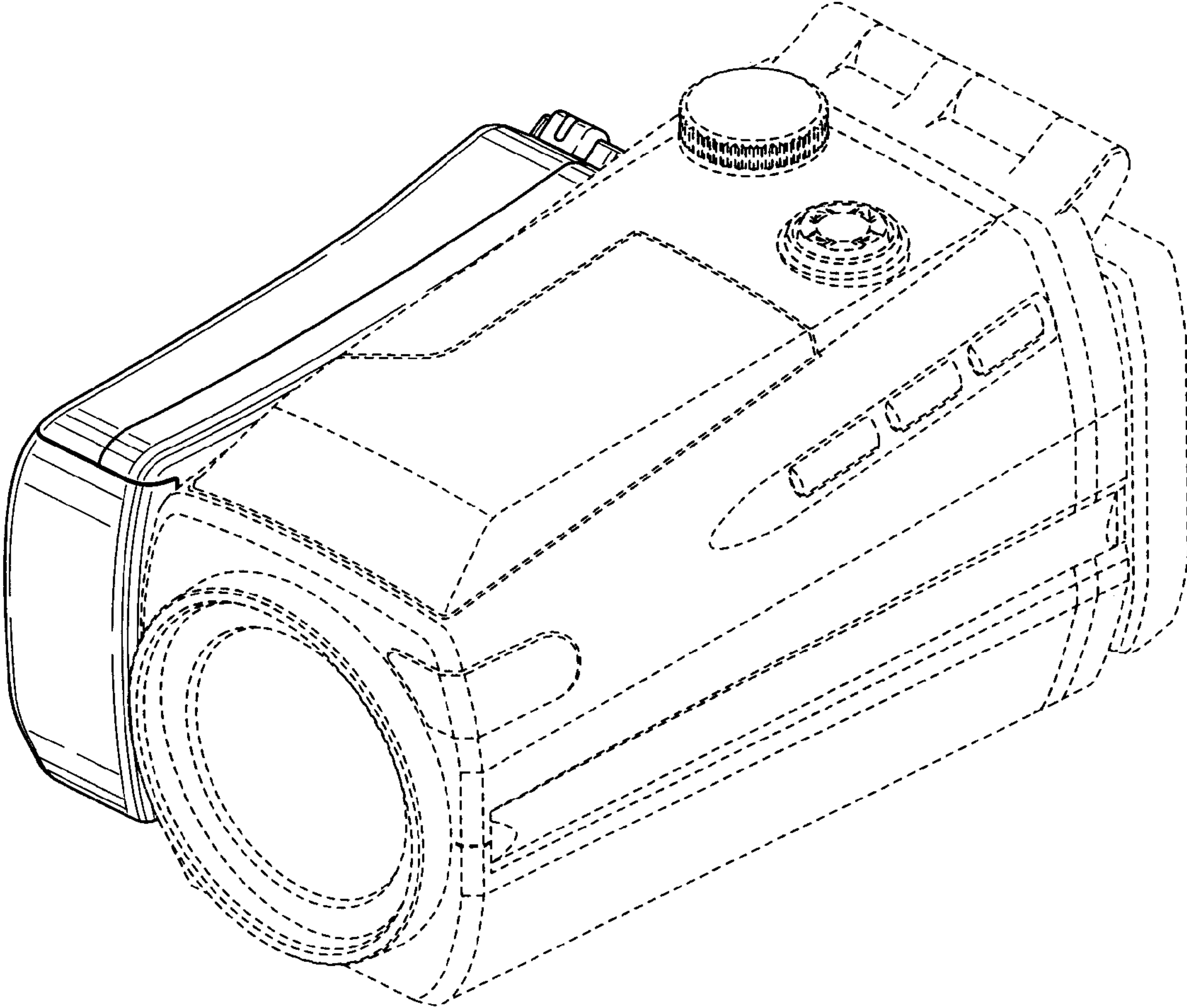


FIG. 2

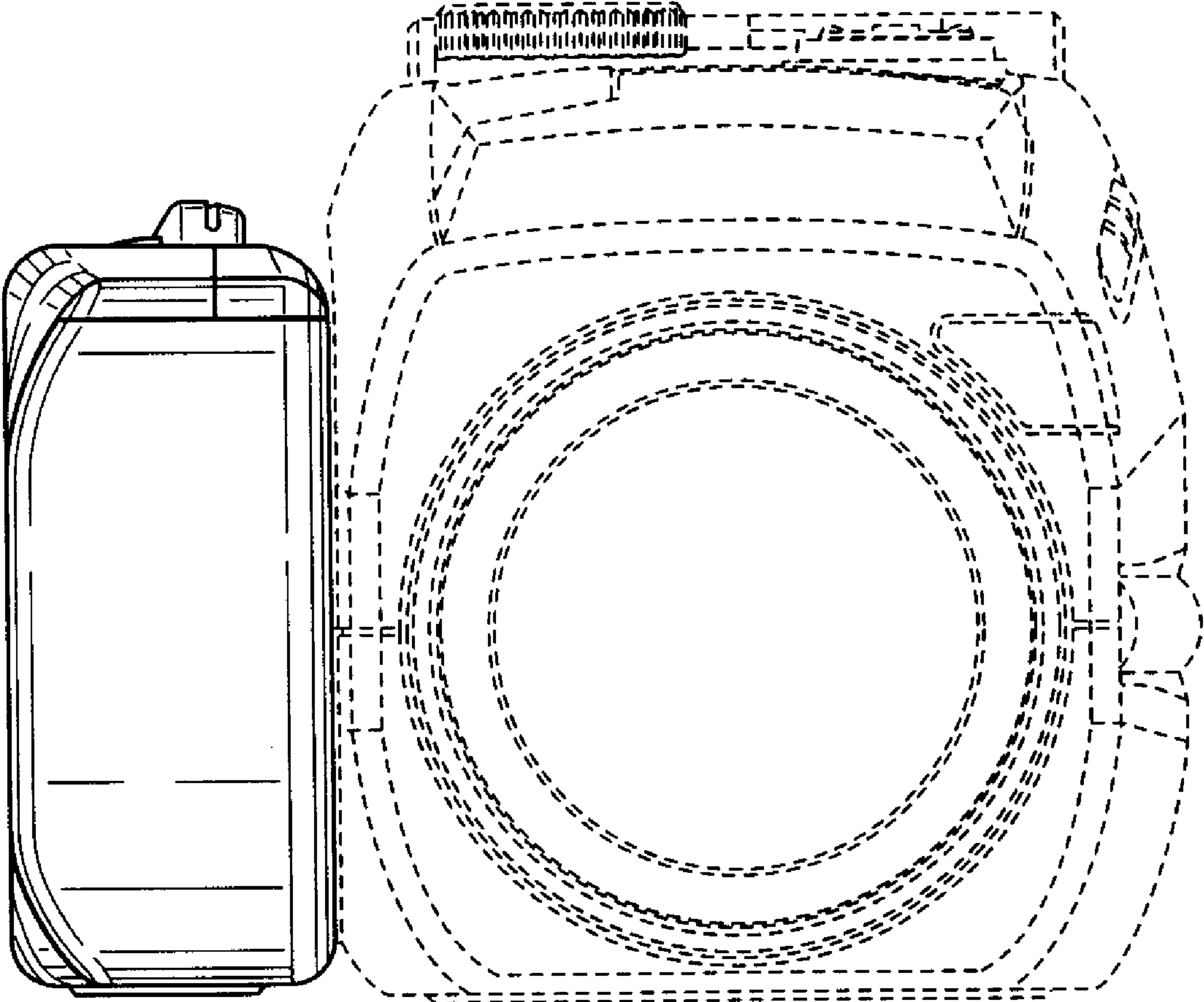


FIG. 3

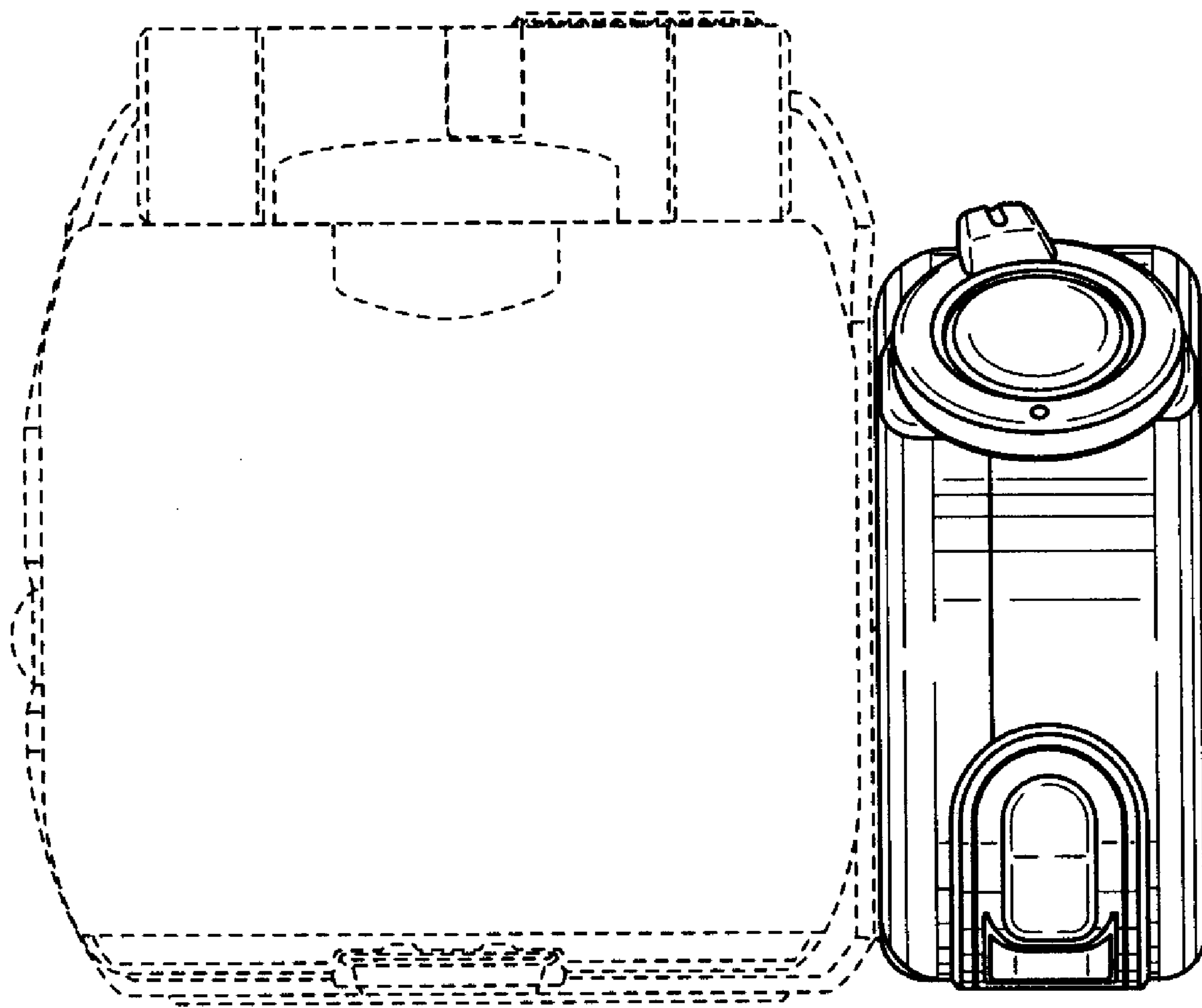


FIG. 4

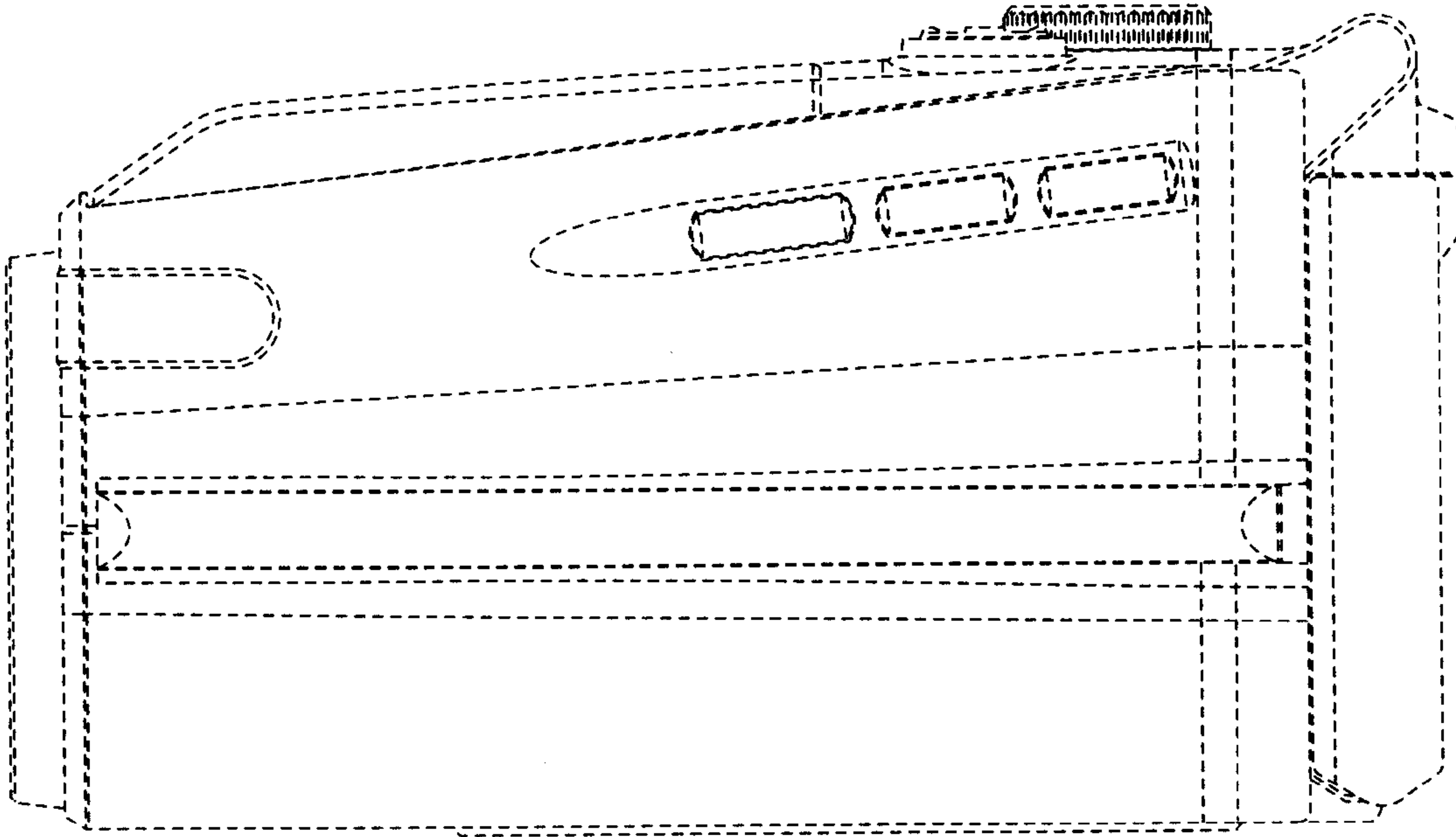


FIG. 5

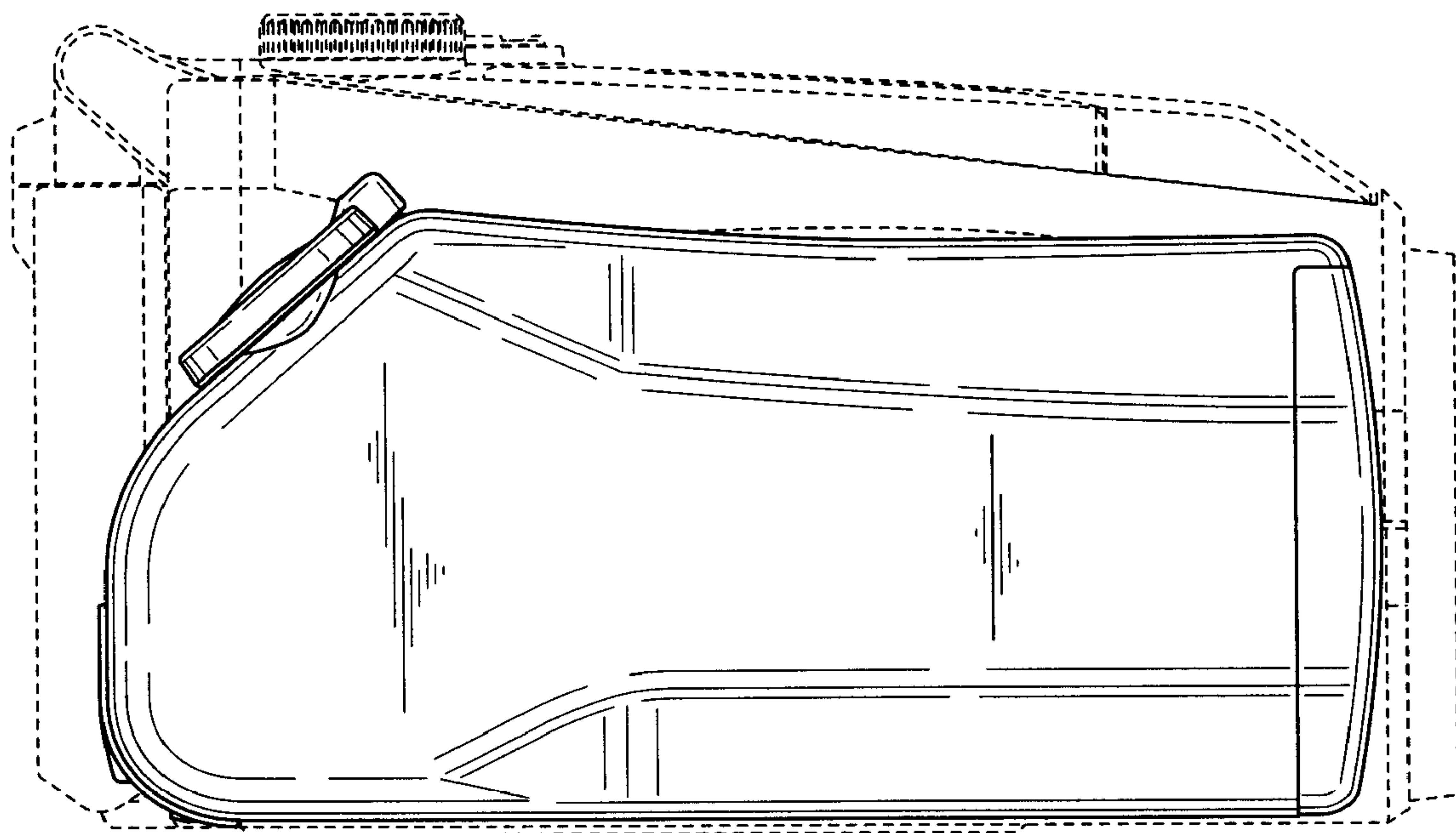


FIG. 6

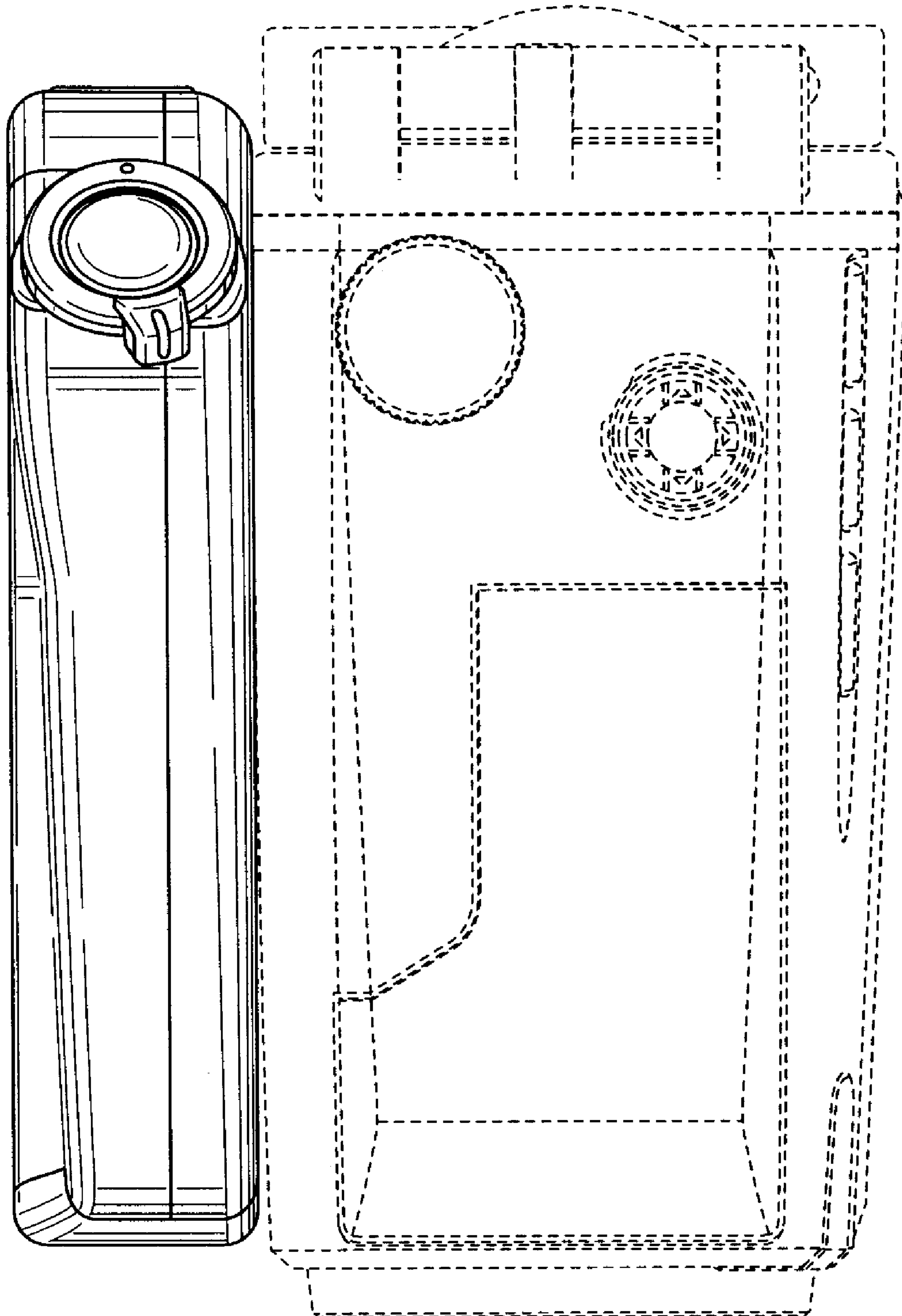


FIG. 7

