

US00D515124S

(12) **United States Design Patent** (10) **Patent No.:** **US D515,124 S**  
**Bleau et al.** (45) **Date of Patent:** **\*\* Feb. 14, 2006**

(54) **CCD CAMERA ENCLOSURE**

(75) Inventors: **Charles A. Bleau**, Atlanta, GA (US);  
**Mark P. McJunkin**, Atlanta, GA (US);  
**Dean Q. Nguyen**, Atlanta, GA (US)

(73) Assignee: **SciMeasure Analytical Systems, Inc.**,  
Atlanta, GA (US)

(\*\*) Term: **14 Years**

(21) Appl. No.: **29/193,305**

(22) Filed: **Nov. 7, 2003**

(51) **LOC (8) Cl.** ..... **16-01**

(52) **U.S. Cl.** ..... **D16/203; D16/200**

(58) **Field of Classification Search** ..... D16/200–205,  
D16/208, 218, 230; 348/373–376; 358/906,  
358/909.1; 396/535–541

See application file for complete search history.

(56) **References Cited**

**U.S. PATENT DOCUMENTS**

D351,182 S	*	10/1994	Mage	.....	D17/24
D416,930 S	*	11/1999	Choi	.....	D16/203
D489,747 S	*	5/2004	Safran et al.	.....	D16/230
D501,015 S	*	1/2005	Hamilton et al.	.....	D16/203

\* cited by examiner

*Primary Examiner*—Adir Aronovich

(74) *Attorney, Agent, or Firm*—Alston & Bird LLP

(57) **CLAIM**

The ornamental design for a CCD camera enclosure, as shown and described.

**DESCRIPTION**

FIG. 1 is a top, front and right side perspective view of a CCD camera enclosure according to the present design;

FIG. 2 is an enlarged front elevational view of the CCD camera enclosure of FIG. 1;

FIG. 3 is an enlarged right side elevational view of the CCD camera enclosure of FIG. 1;

FIG. 4 is an enlarged rear elevational view of the CCD camera enclosure of FIG. 1;

FIG. 5 is an enlarged left side elevational view of the CCD camera enclosure of FIG. 1;

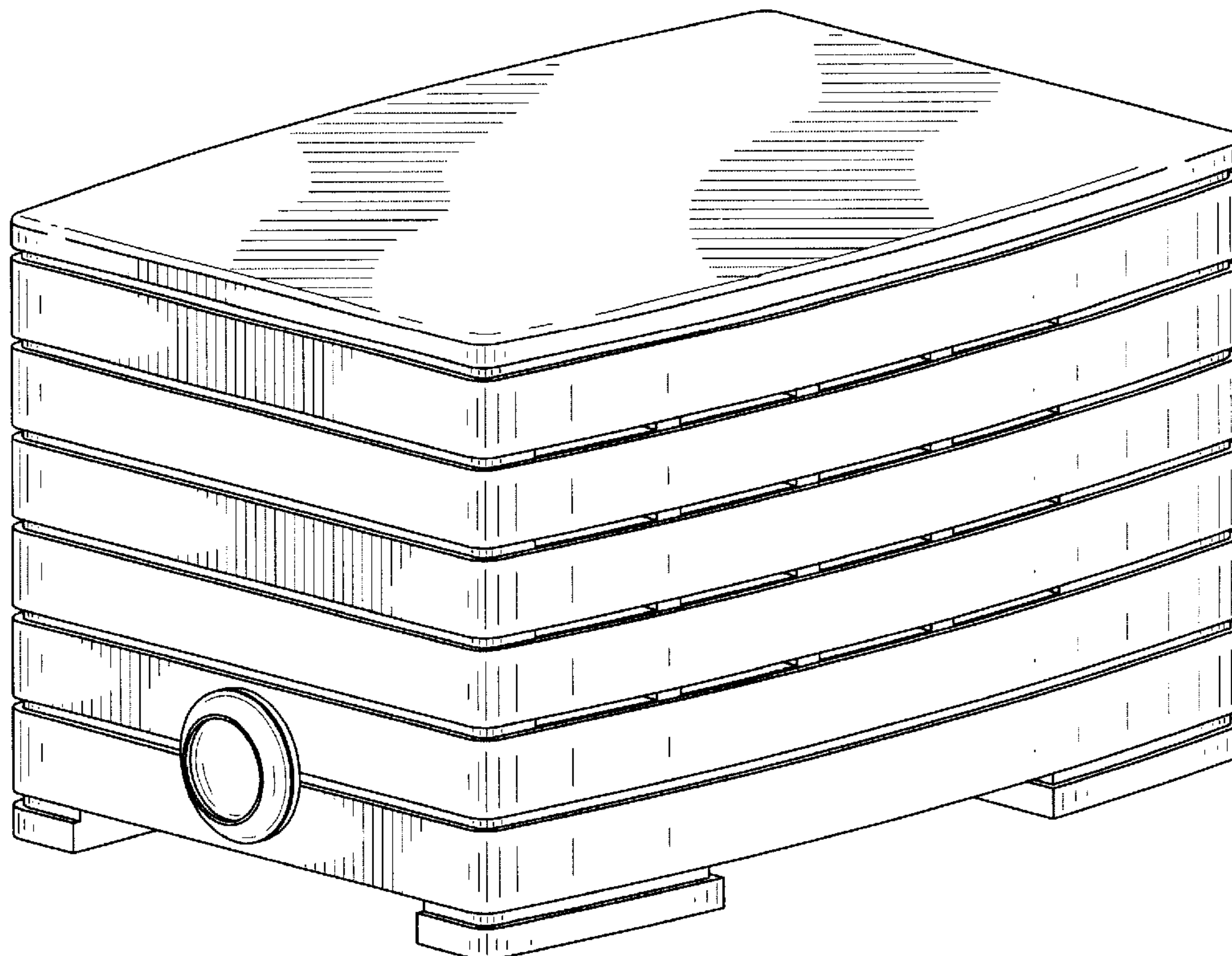
FIG. 6 is an enlarged top plan view of the CCD camera enclosure of FIG. 1;

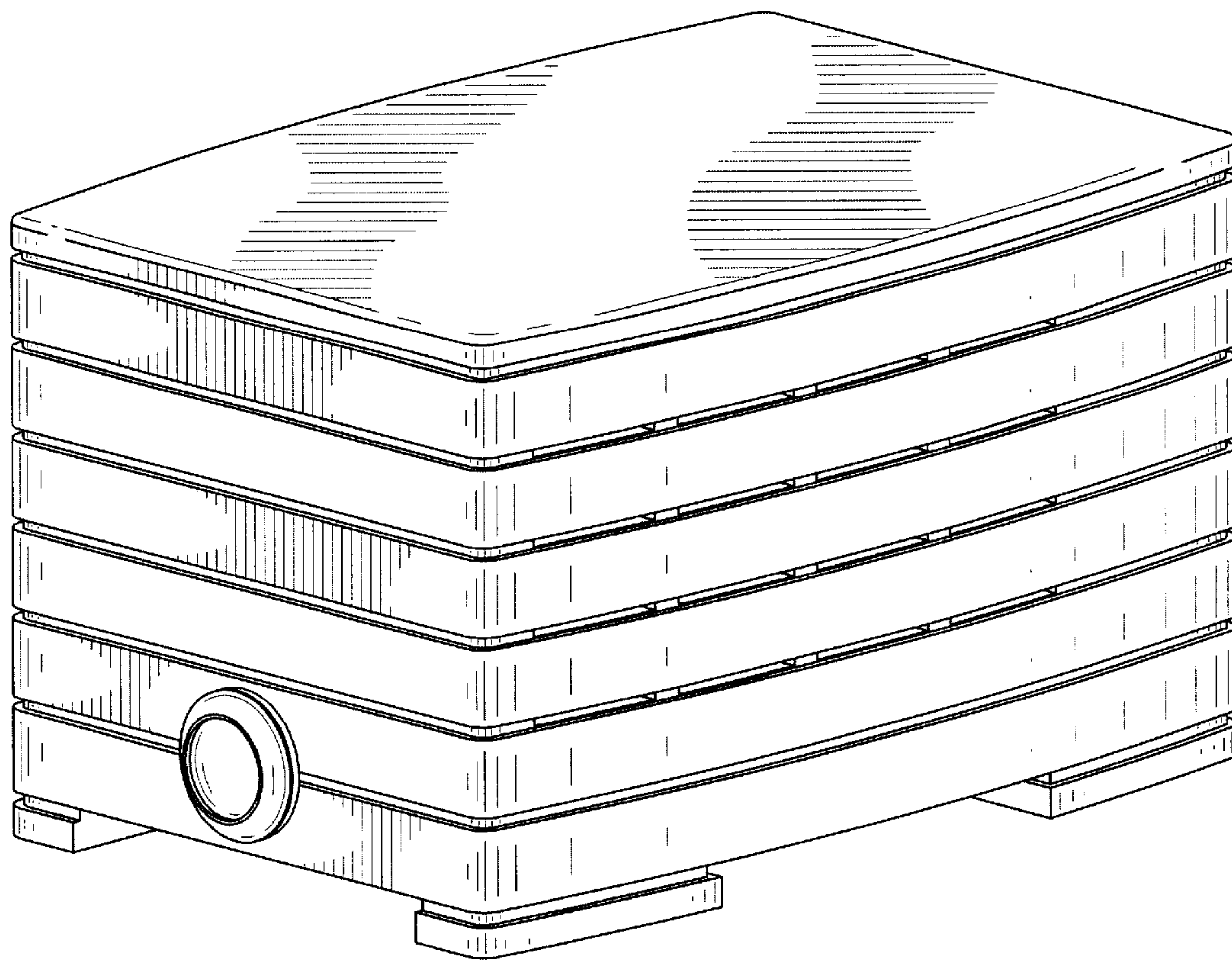
FIG. 7 is an enlarged bottom plan view of the CCD camera enclosure of FIG. 1; and,

FIG. 8 is an enlarged right side elevational view thereof, similar to FIG. 3 with broken away lines indicating the indeterminate length of the CCD camera enclosure.

The broken away lines in FIG. 8 do not indicate the specific length (beyond that shown in the drawings) and form no part of the claimed design.

**1 Claim, 8 Drawing Sheets**





*FIG. 1*

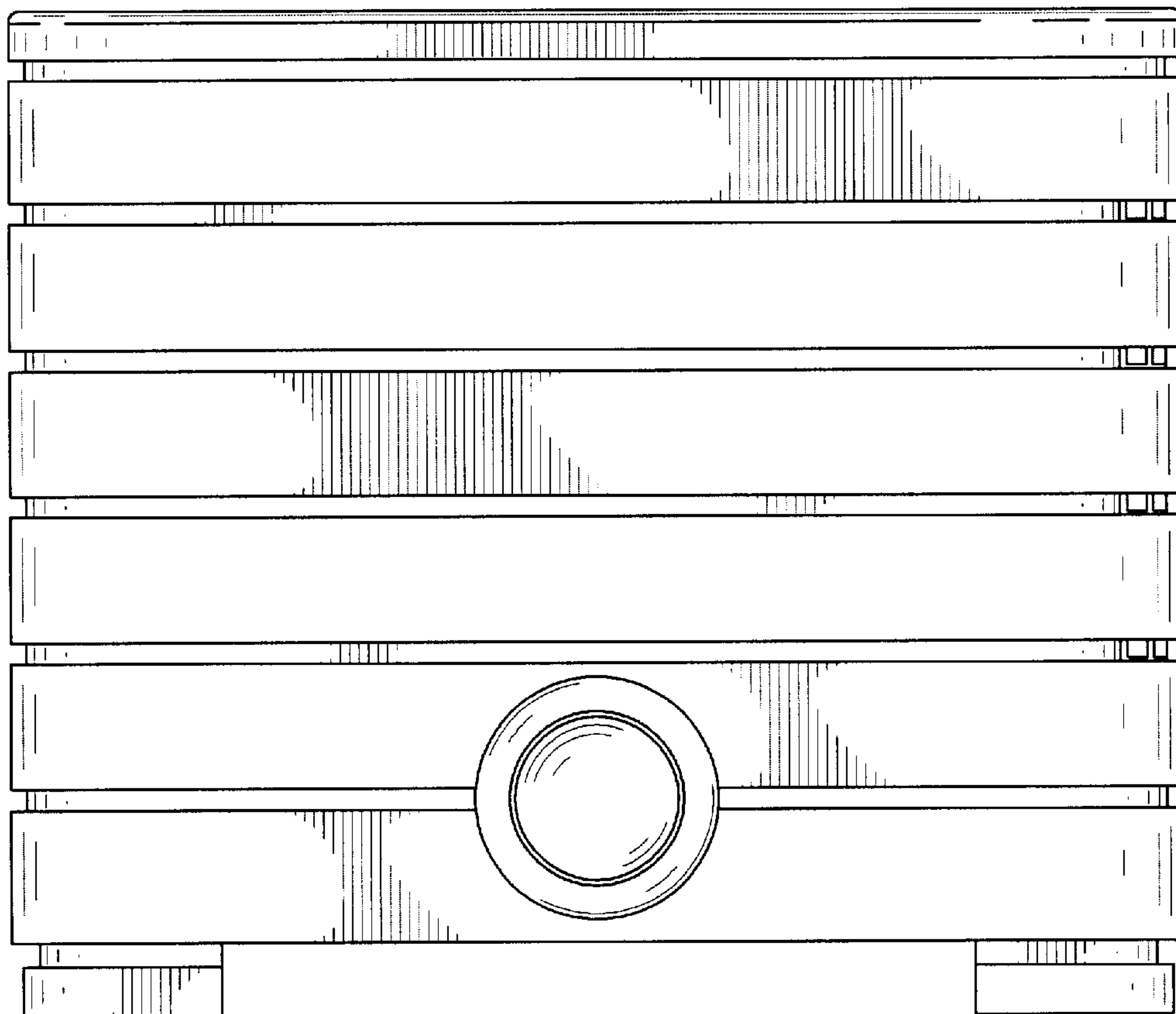


FIG. 2

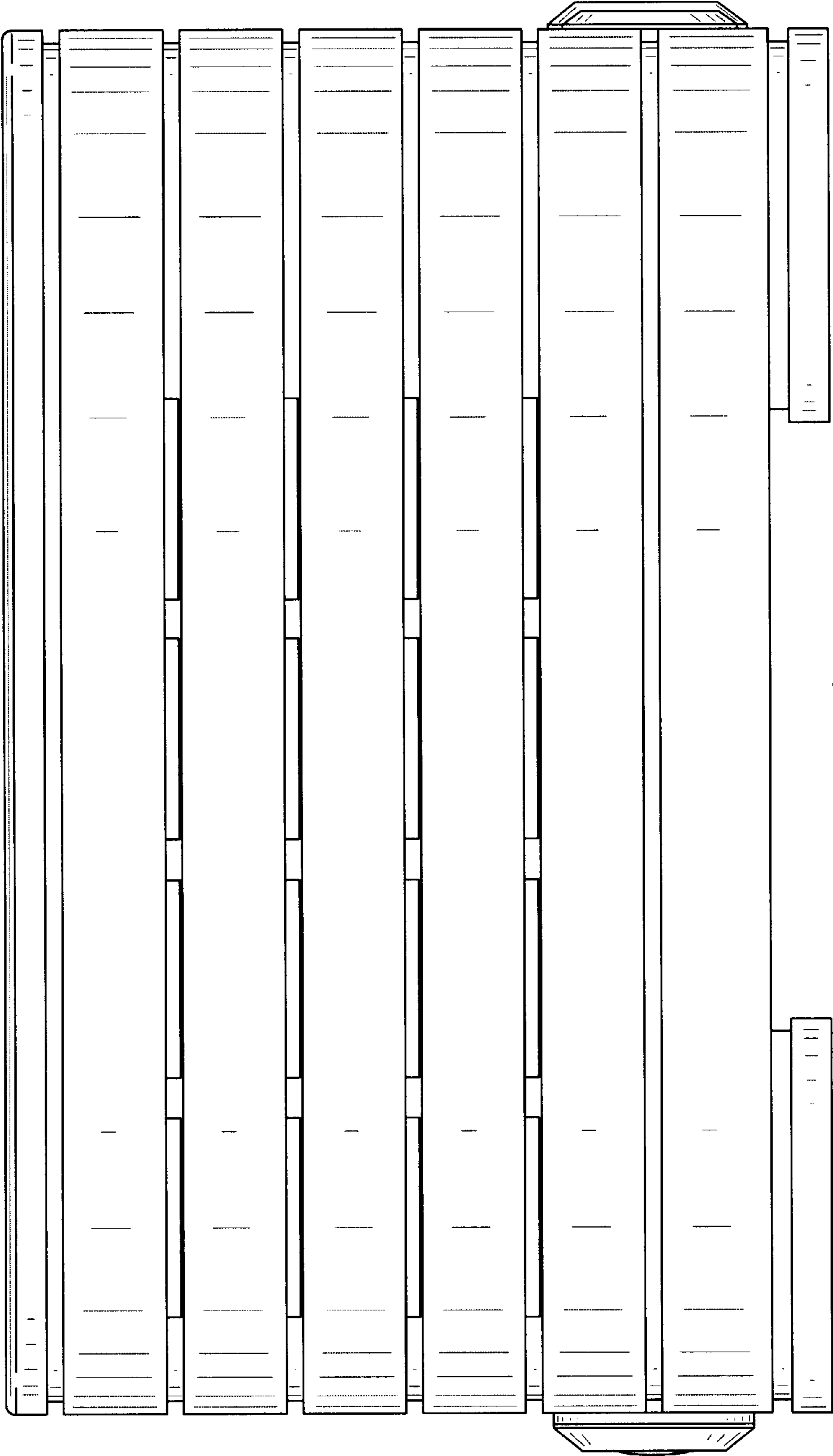


FIG. 3

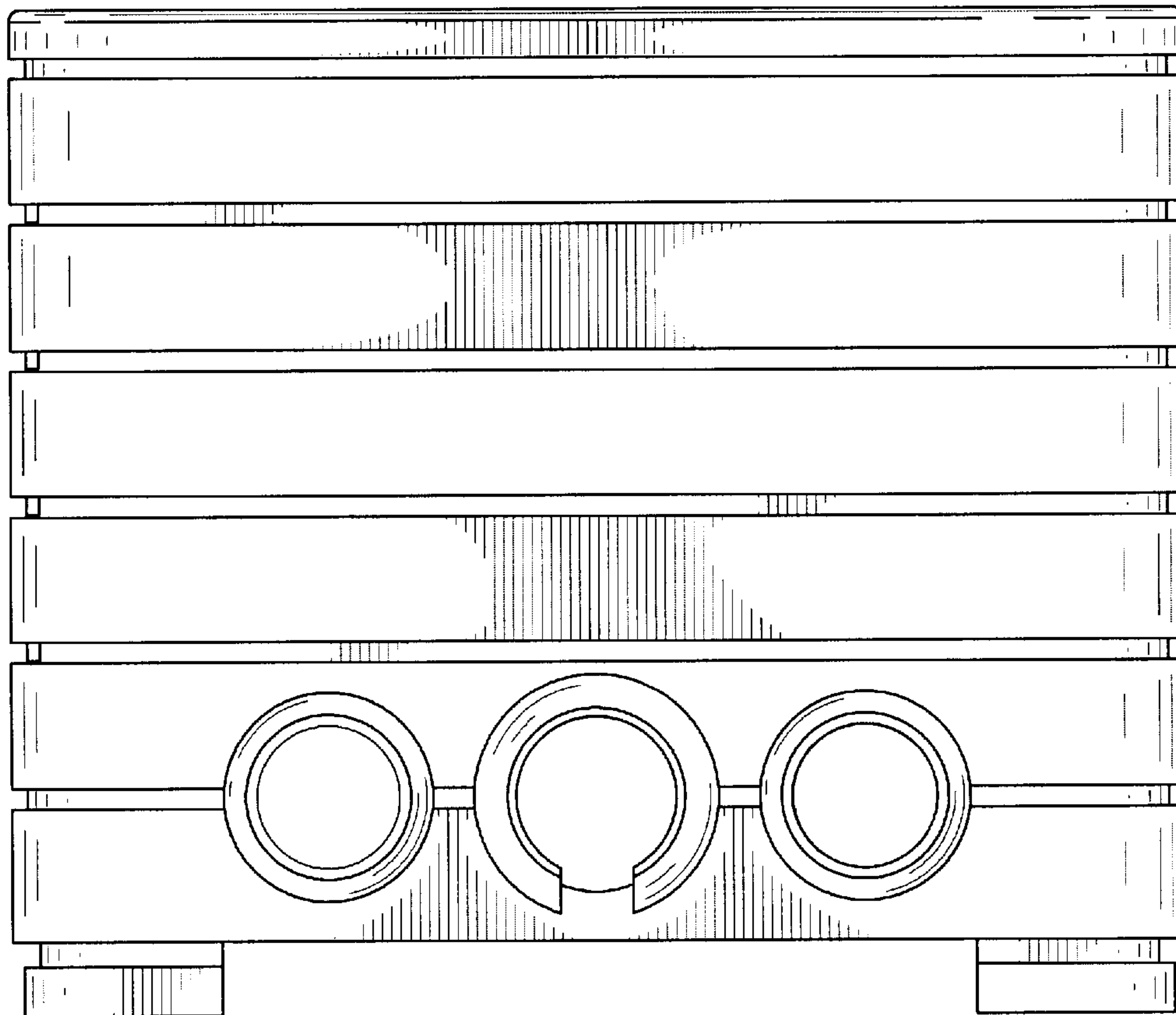


FIG. 4

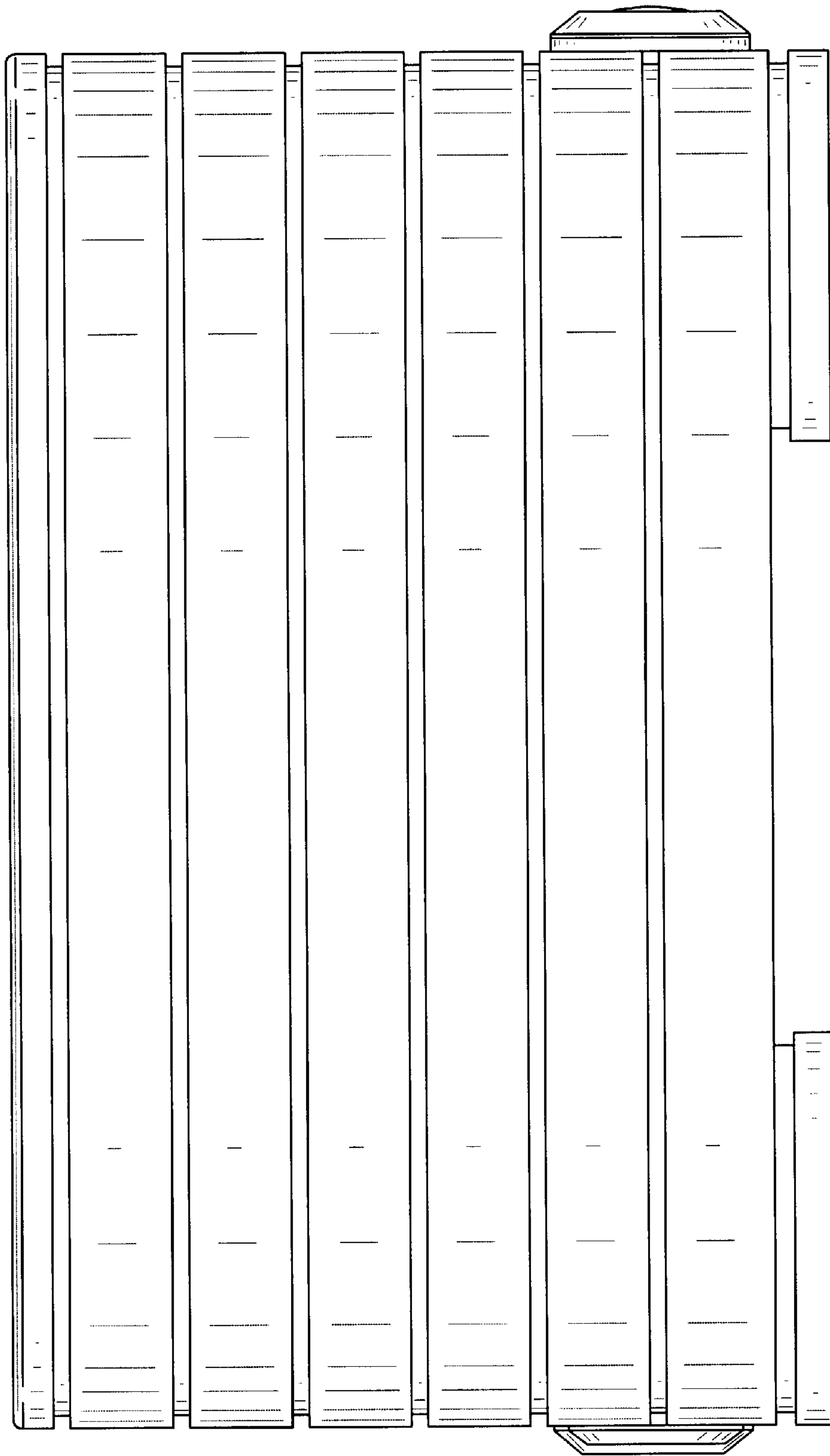


FIG. 5



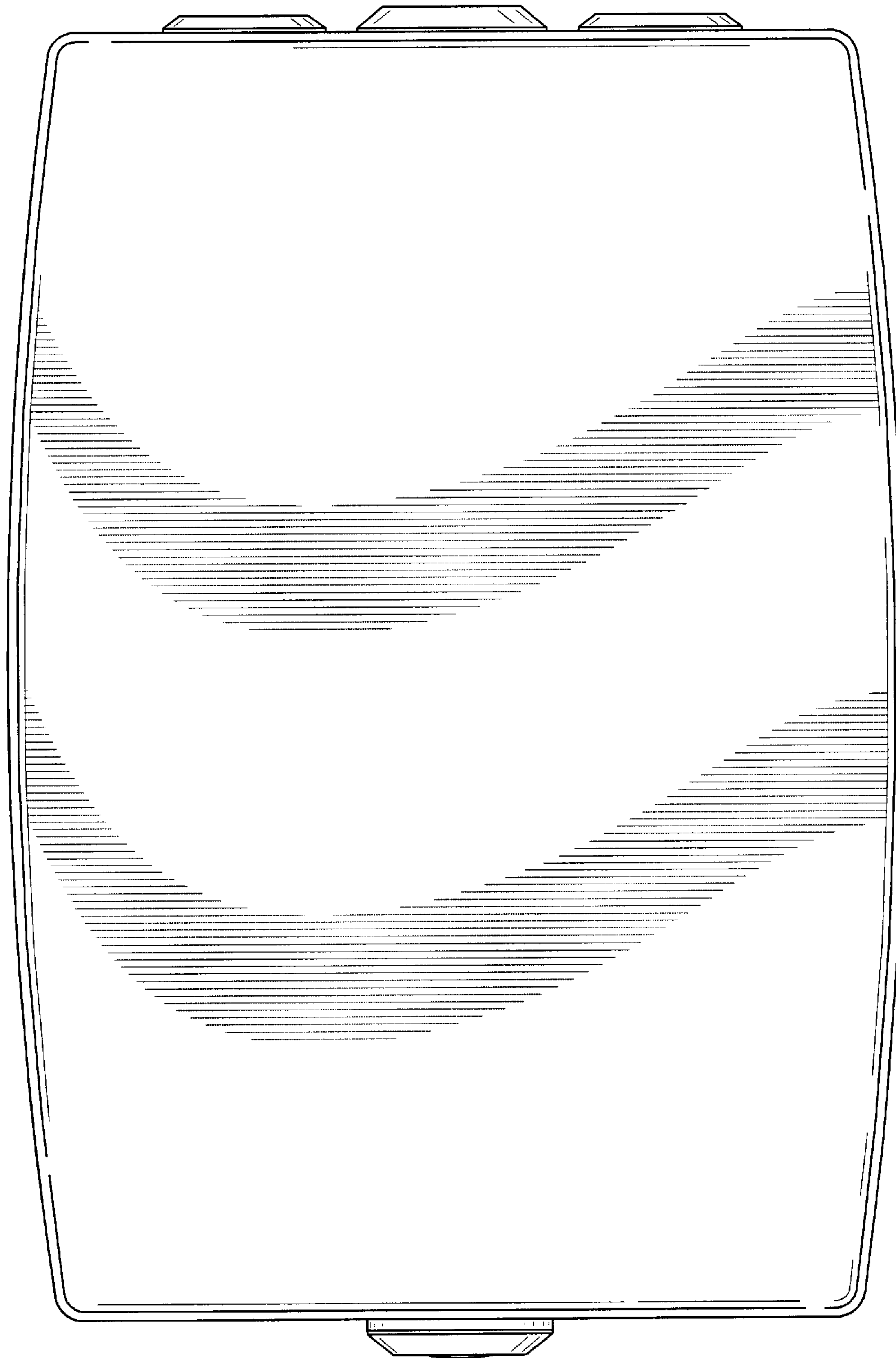


FIG. 6

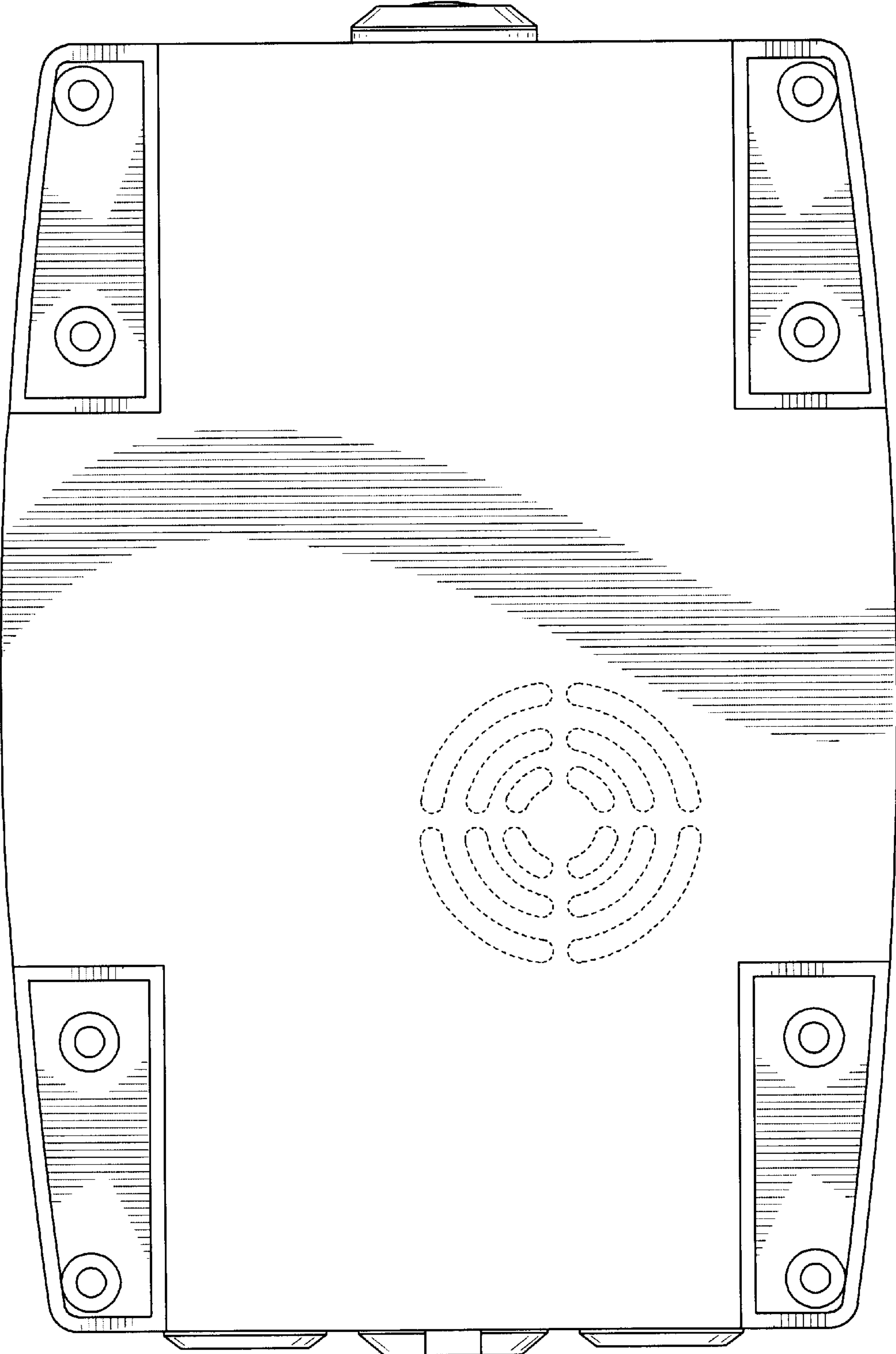


FIG. 7



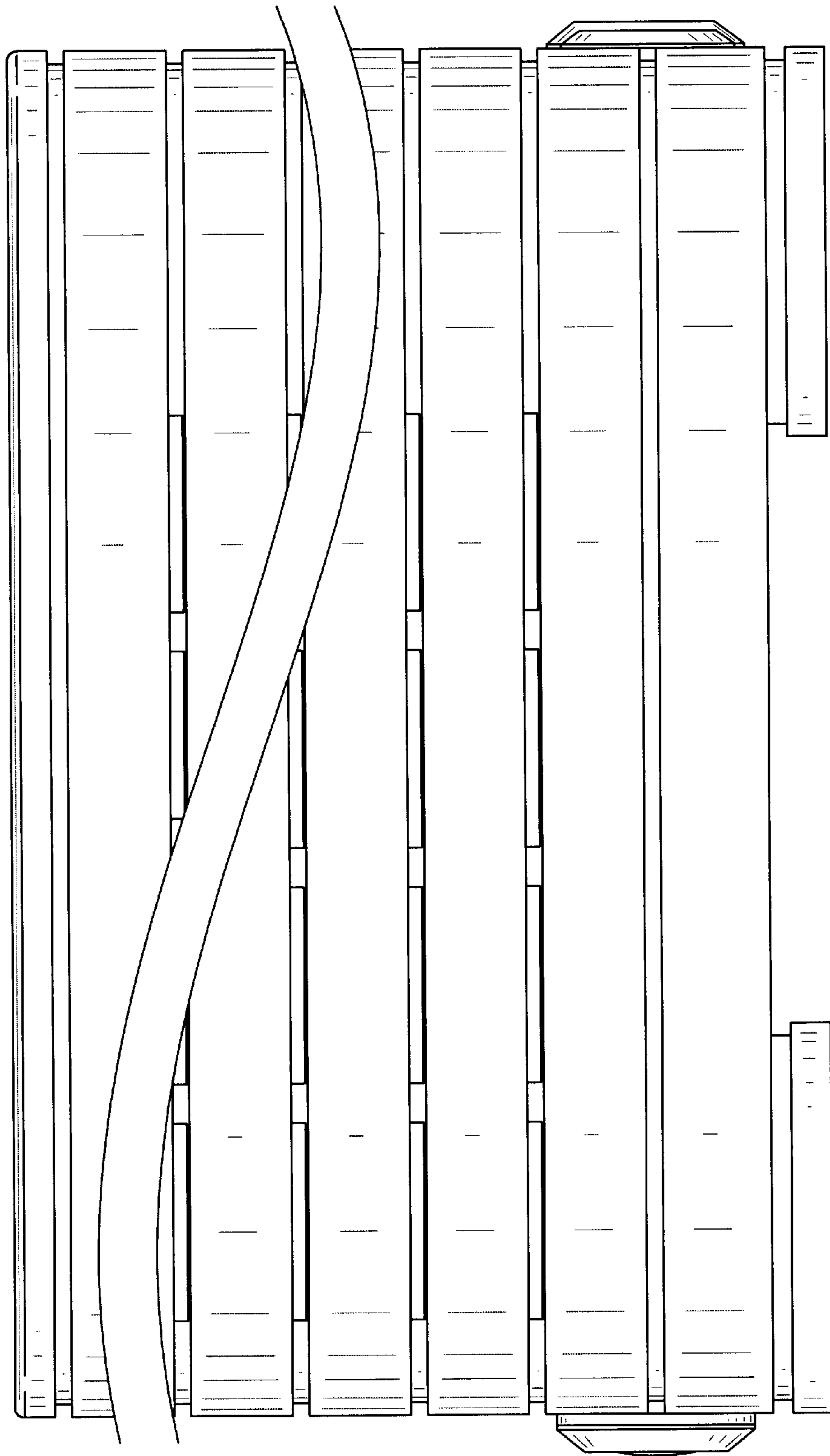


FIG. 8