



US00D515123S

(12) **United States Design Patent**  
**Kojima et al.**

(10) **Patent No.: US D515,123 S**

(45) **Date of Patent: \*\* Feb. 14, 2006**

(54) **VIDEO CAMERA WITH DIGITAL VIDEO DISK PLAYER**

D491,967 S \* 6/2004 Kojima et al. .... D16/202  
D500,512 S \* 1/2005 Hayashi ..... D16/208  
D505,438 S \* 5/2005 Kojima et al. .... D16/202  
D506,487 S \* 6/2005 Iinuma et al. .... D16/202

(75) Inventors: **Akira Kojima**, Kunitachi (JP);  
**Yoshihiro Iwama**, Kokubunji (JP);  
**Minoru Ikeda**, Inagi (JP); **Akihiro Goto**, Hitachinaka (JP)

\* cited by examiner

*Primary Examiner*—Adir Aronovich

(73) Assignee: **Hitachi, Ltd.**, Tokyo (JP)

(74) *Attorney, Agent, or Firm*—Antonelli, Terry, Stout and Kraus, LLP.

(\*\*) Term: **14 Years**

(57) **CLAIM**

(21) Appl. No.: **29/212,392**

We claim the ornamental design for a video camera with digital video disk player, as shown and described.

(22) Filed: **Sep. 1, 2004**

**DESCRIPTION**

(30) **Foreign Application Priority Data**

Aug. 27, 2004 (JP) ..... 2004-025697

(51) **LOC (8) Cl.** ..... **16-01**

(52) **U.S. Cl.** ..... **D16/202**

(58) **Field of Classification Search** ..... D16/200–206,  
D16/208, 218; 348/373–376; 358/906, 909.1;  
396/535–541

See application file for complete search history.

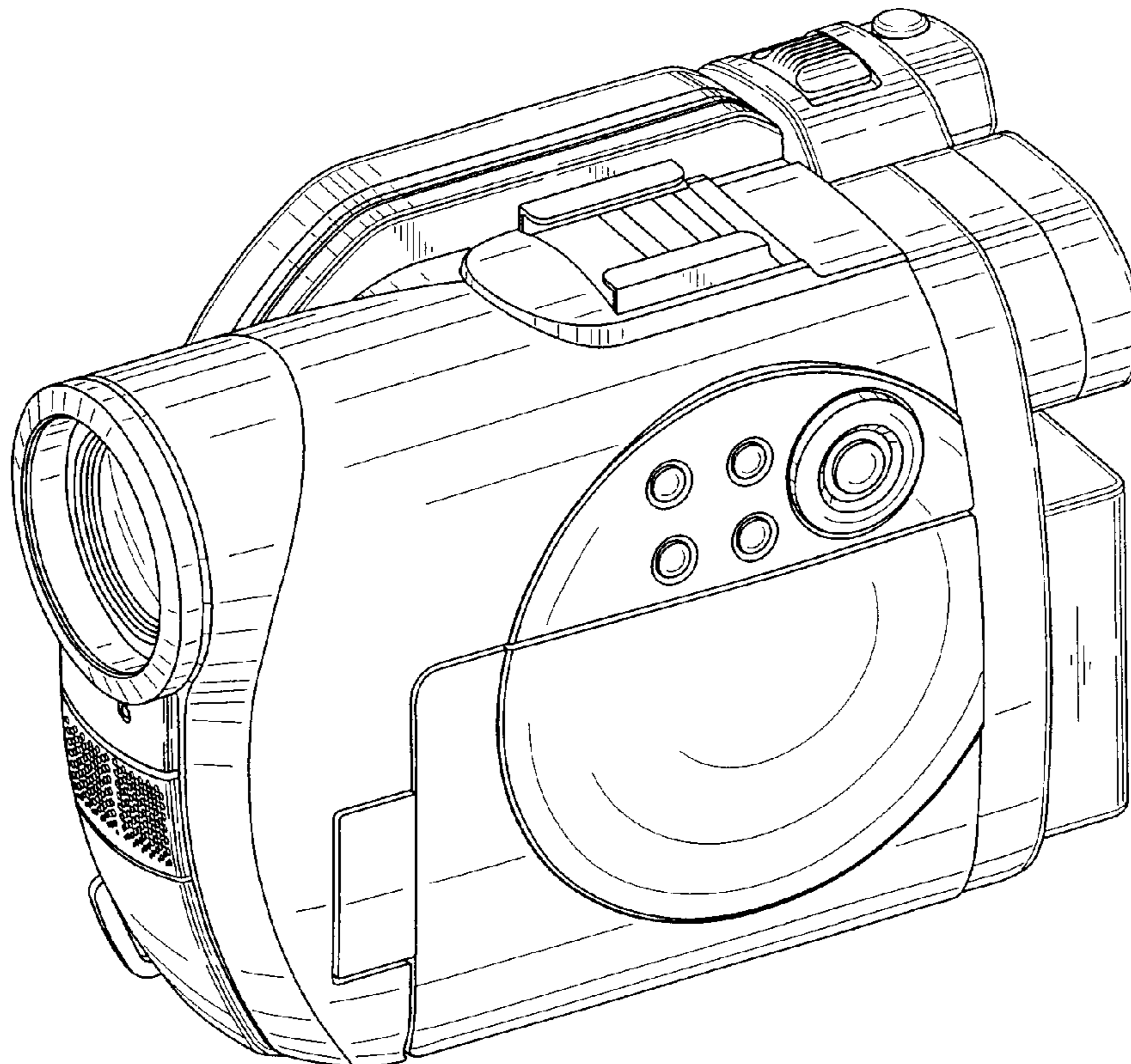
FIG. 1 is a right side perspective view of the video camera with digital video disk player showing our new design; FIG. 2 is a left side perspective view thereof; FIG. 3 is a front side view thereof; FIG. 4 is a rear view thereof; and FIG. 5 is a right side view thereof; FIG. 6 is a left side view thereof; FIG. 7 is a top view thereof; FIG. 8 is a bottom view thereof; FIG. 9 is a right side view thereof, a monitor being in an open position; and, FIG. 10 is a rear view thereof, a monitor being in an open position.

(56) **References Cited**

**U.S. PATENT DOCUMENTS**

5,739,859 A \* 4/1998 Hattori et al. .... 348/375  
D423,541 S \* 4/2000 Ohwada ..... D16/202  
D435,575 S \* 12/2000 Kanatani ..... D16/202

**1 Claim, 6 Drawing Sheets**



*FIG. 1*

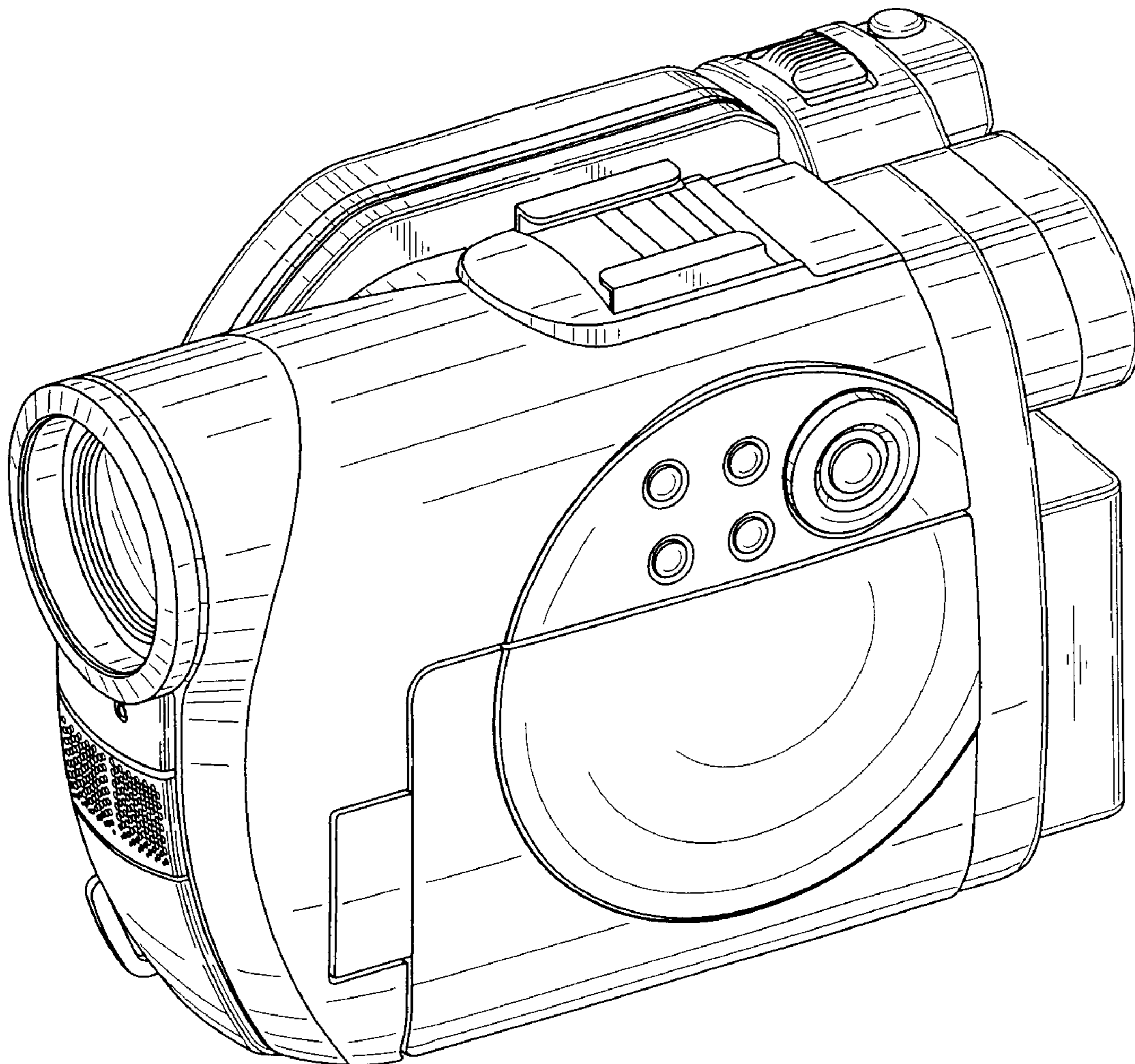
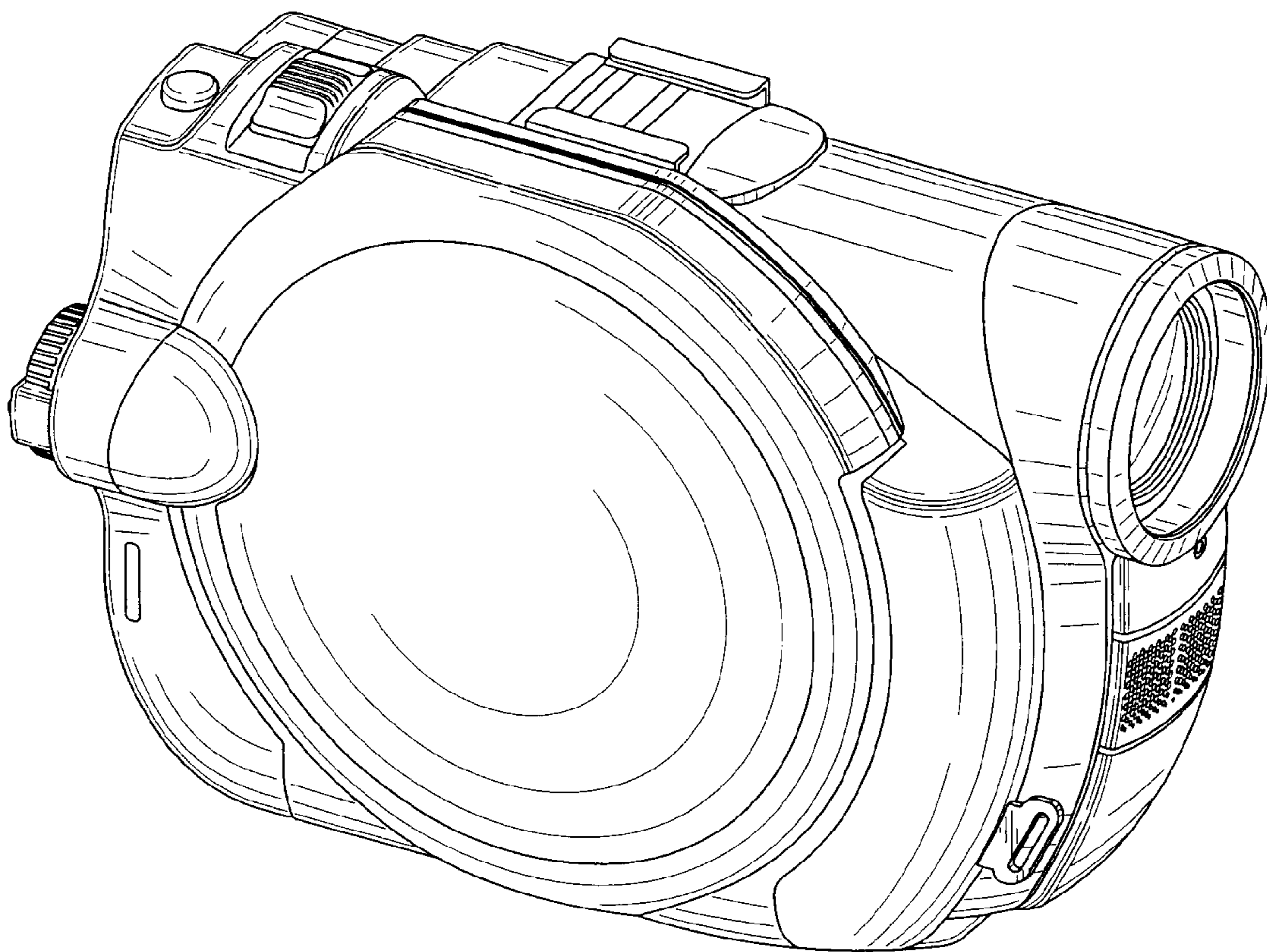
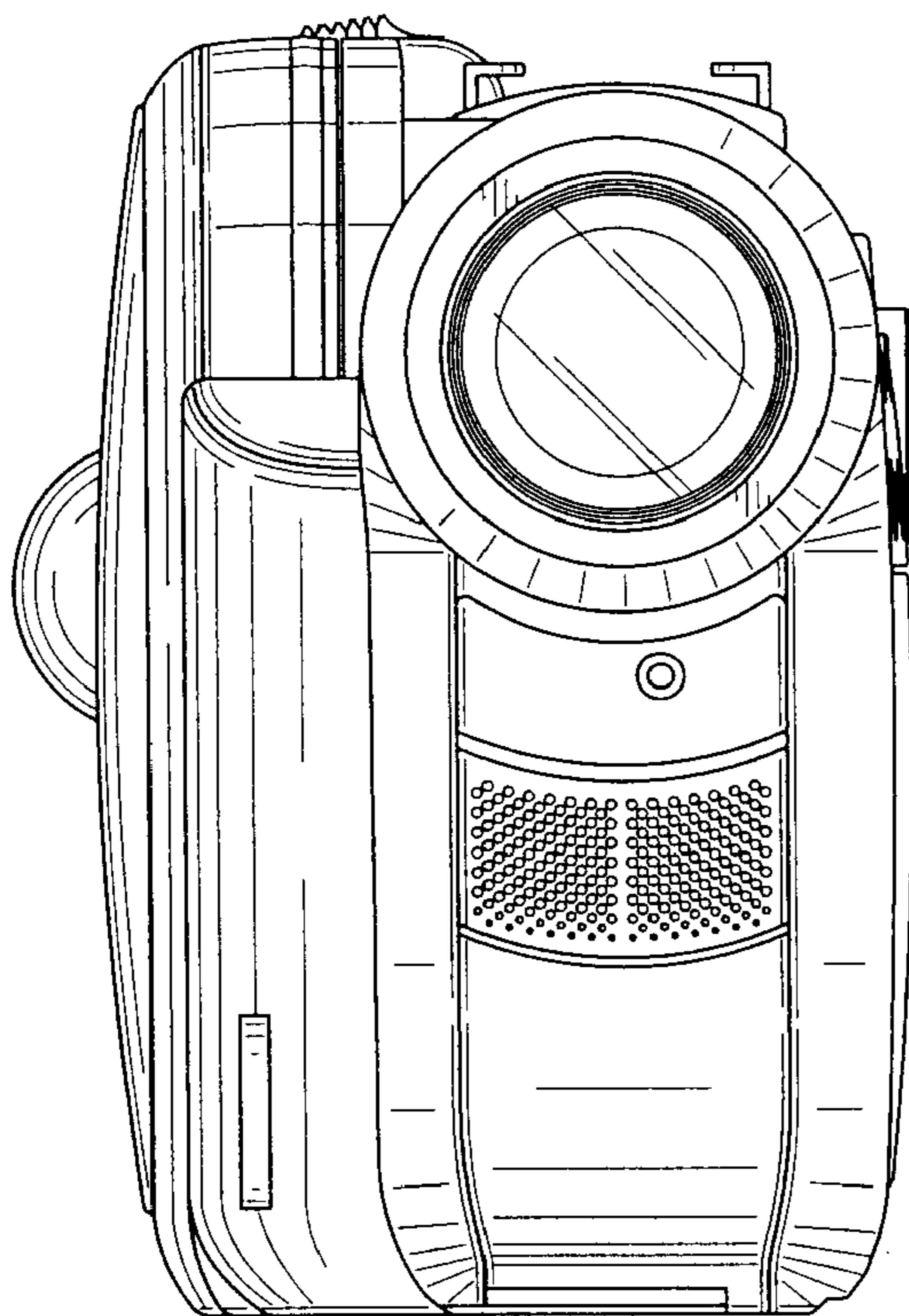


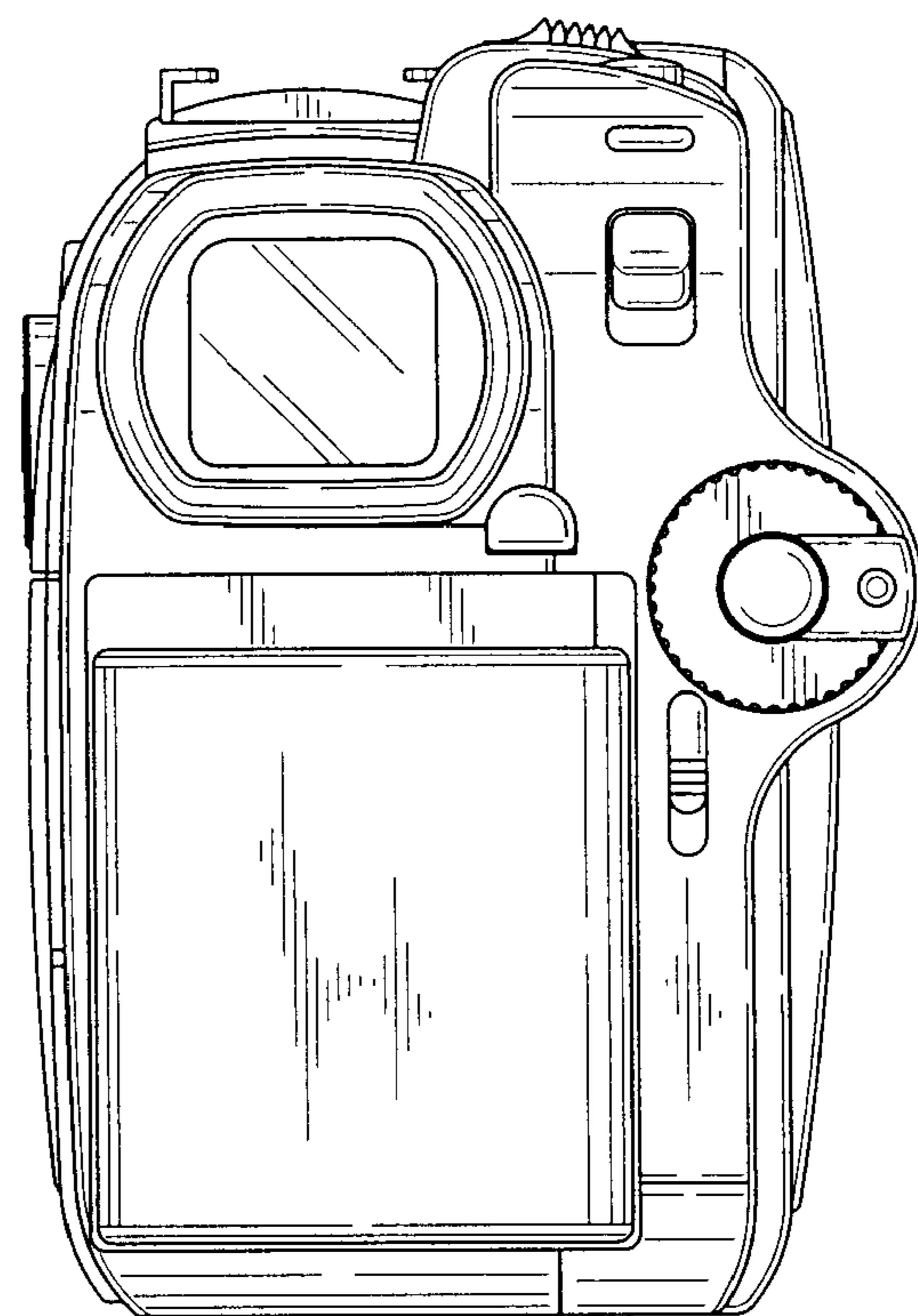
FIG. 2



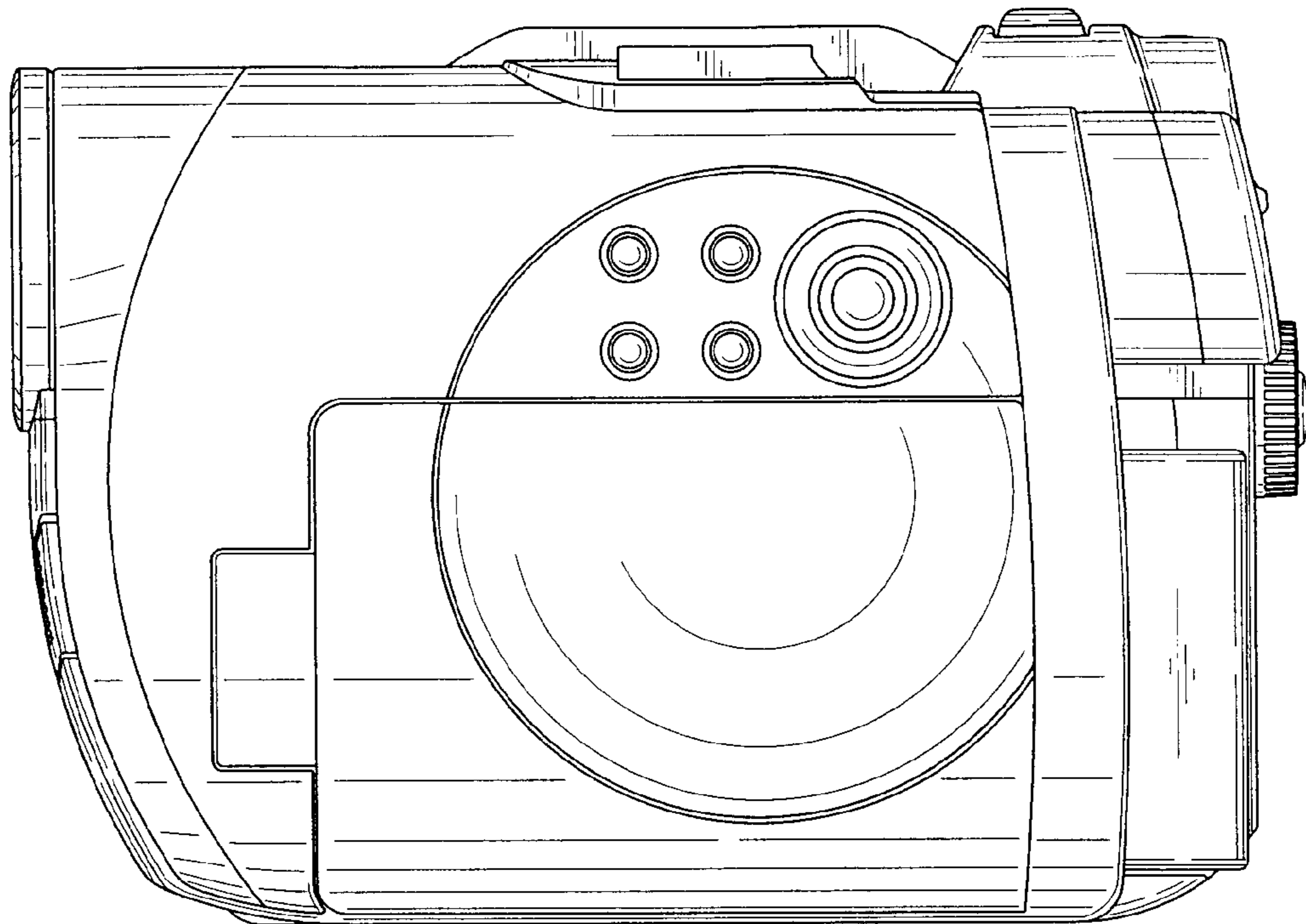
*FIG. 3*



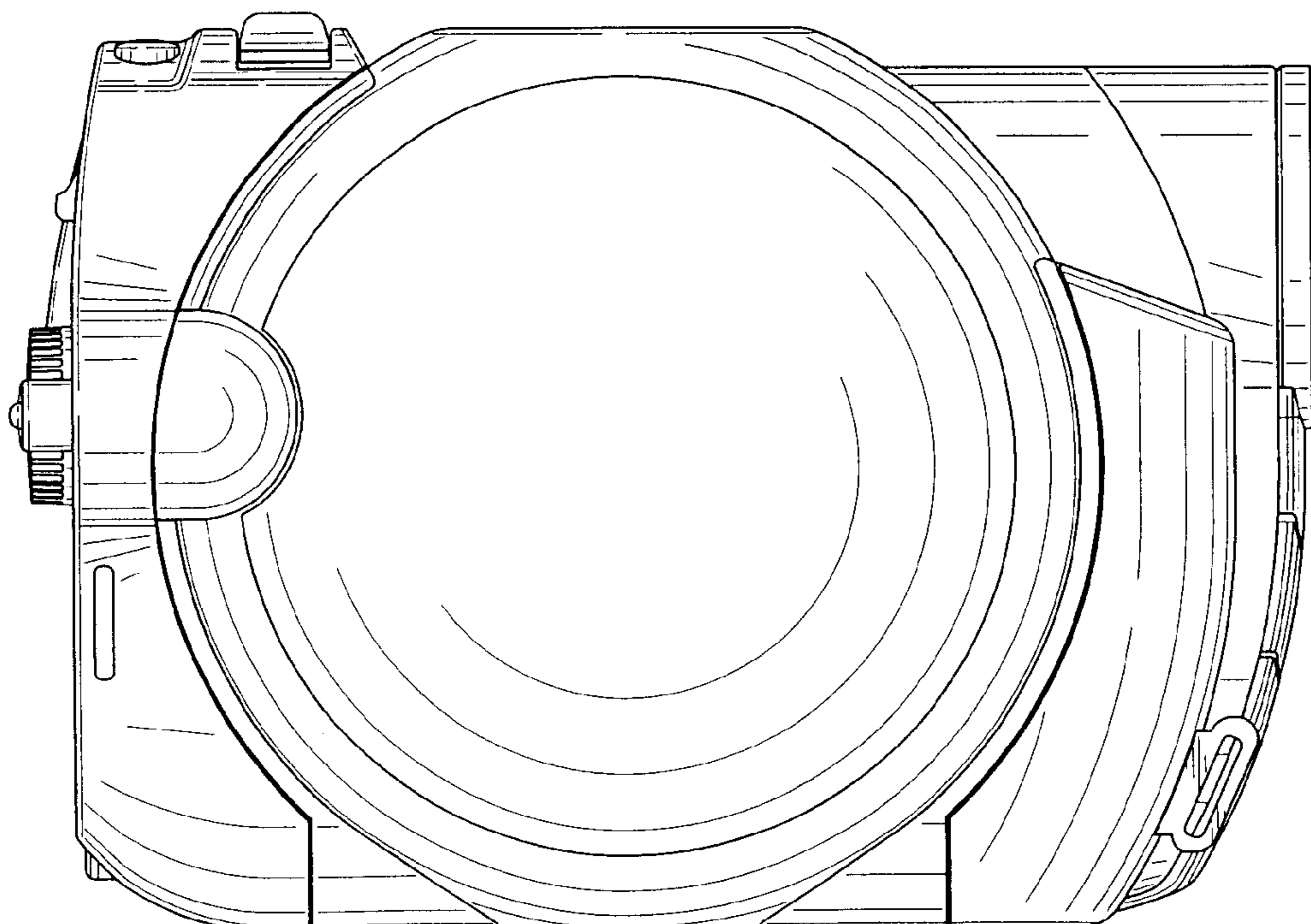
*FIG. 4*



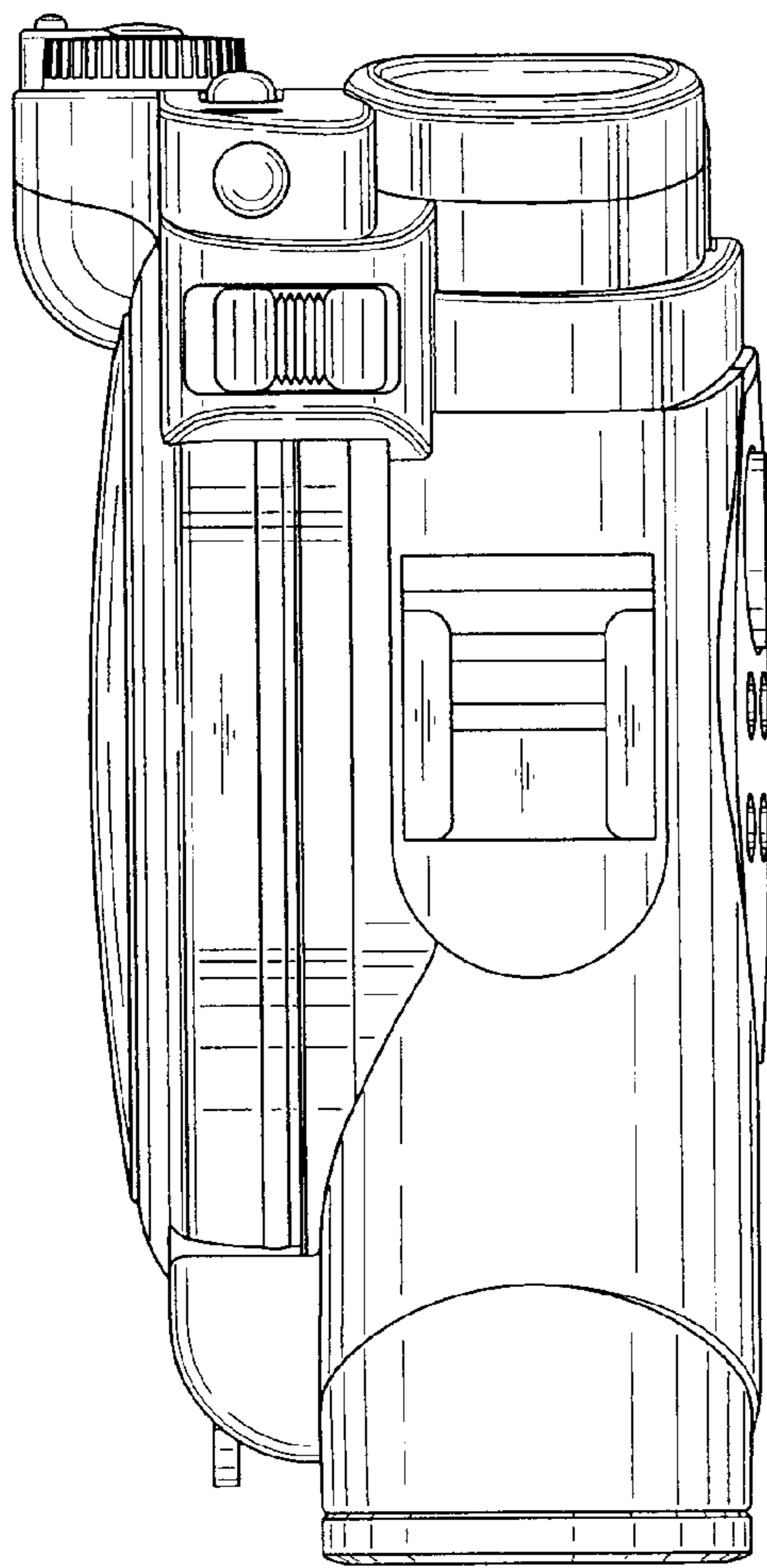
*FIG. 5*



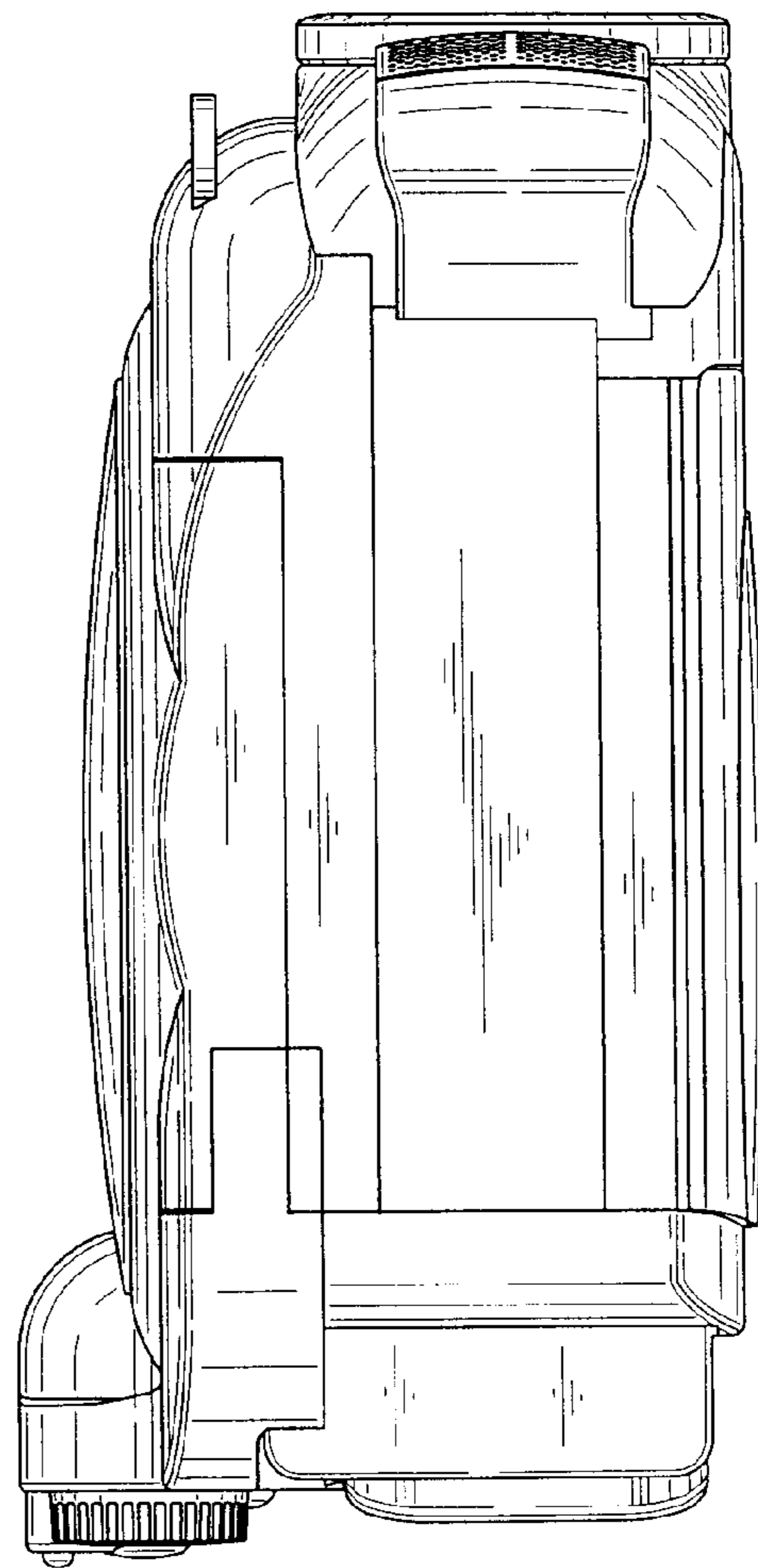
*FIG. 6*



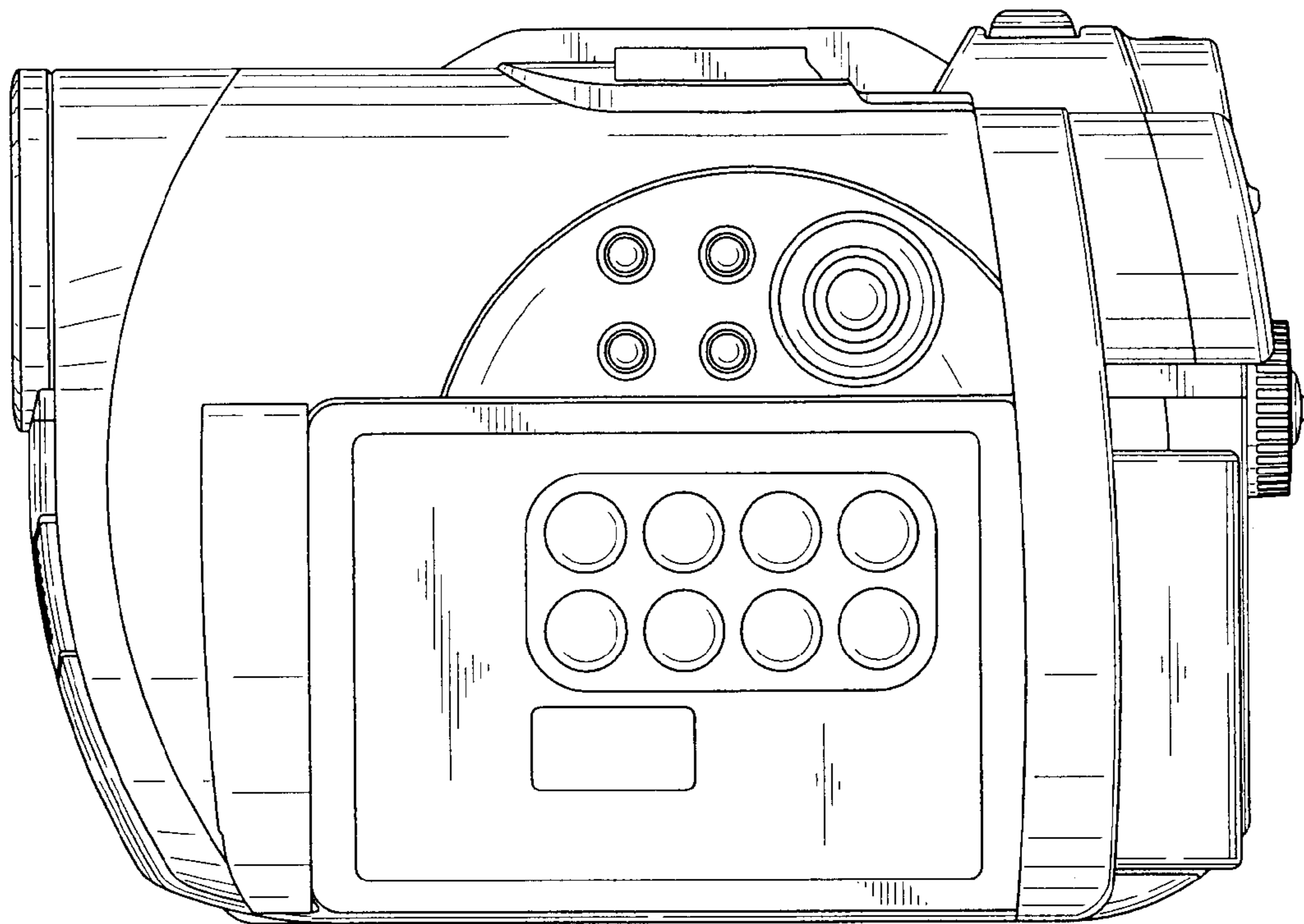
*FIG. 7*



*FIG. 8*



*FIG. 9*



*FIG. 10*

