



US00D515122S

(12) **United States Design Patent**
Sakai

(10) **Patent No.:** **US D515,122 S**
(45) **Date of Patent:** **** Feb. 14, 2006**

(54) **ELECTRONIC CAMERA**

(75) Inventor: **Masayuki Sakai**, Toyko (JP)

(73) Assignee: **Fuji Photo Film Co., Ltd.**, Kanagawa (JP)

(**) Term: **14 Years**

(21) Appl. No.: **29/209,977**

(22) Filed: **Jul. 26, 2004**

(30) **Foreign Application Priority Data**

Mar. 29, 2004 (JP) 2004-009505

(51) **LOC (8) Cl.** **16-01**

(52) **U.S. Cl.** **D16/202; D3/3; D16/201**

(58) **Field of Classification Search** **D16/200-206, D16/208, 218; 348/373-376; 358/909.1; 396/535-541; 416/70 A, 71**

See application file for complete search history.

(56) **References Cited**

U.S. PATENT DOCUMENTS

- 550,679 A * 12/1895 Grant 416/71
- D60,158 S * 1/1922 Nelson D16/205
- D150,102 S * 6/1948 Weinstein D16/207
- D442,617 S * 5/2001 Ohmori et al. D16/204
- D486,169 S * 2/2004 Esslinger et al. D16/206

* cited by examiner

Primary Examiner—Adir Aronovich

(74) *Attorney, Agent, or Firm*—Young & Thompson

(57) **CLAIM**

The ornamental design for an electronic camera, as shown and described.

DESCRIPTION

FIG. 1 is a top, front and side perspective view of an electronic camera showing my new design;
 FIG. 2 is a front elevational view thereof;
 FIG. 3 is a rear elevational view thereof;
 FIG. 4 is a top plan view thereof;
 FIG. 5 is a bottom plan view thereof;
 FIG. 6 is a side elevational view thereof from the left of FIG. 2;
 FIG. 7 is a side elevational view thereof from the right of FIG. 2;
 FIG. 8 is a top, rear and side perspective view thereof;
 FIG. 9 is a top, rear and side perspective view thereof, with the parts in a different position;
 FIG. 10 is a top, rear and side perspective view thereof, with the parts in another different position;
 FIG. 11 is a top, front and side perspective view of the electronic camera in a fully folded position;
 FIG. 12 is a front elevational view thereof;
 FIG. 13 is a rear elevational view thereof;
 FIG. 14 is a top plan view thereof;
 FIG. 15 is a bottom plan view thereof;
 FIG. 16 is a left side elevational view thereof; and,
 FIG. 17 is a right side elevational view thereof.

1 Claim, 8 Drawing Sheets

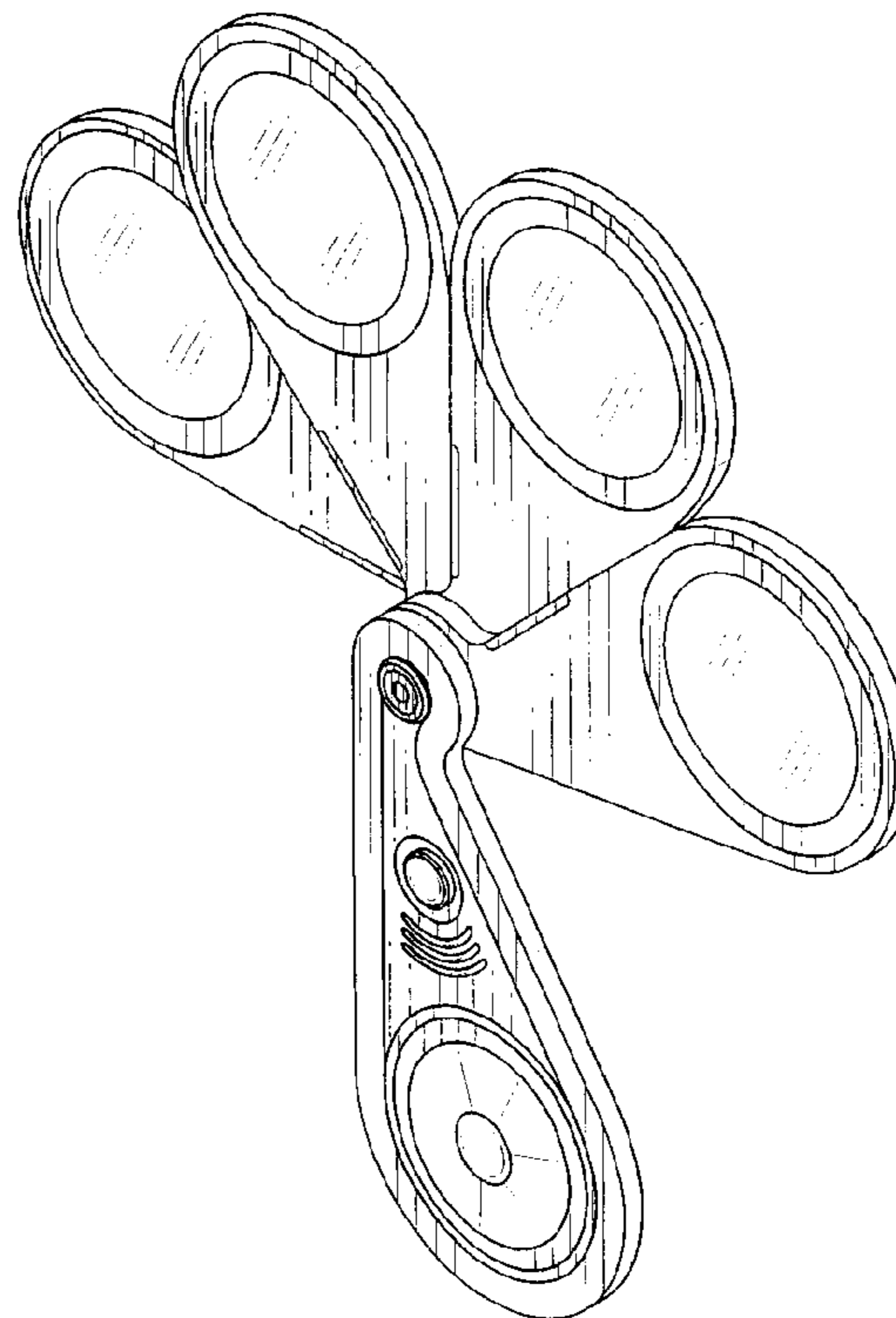
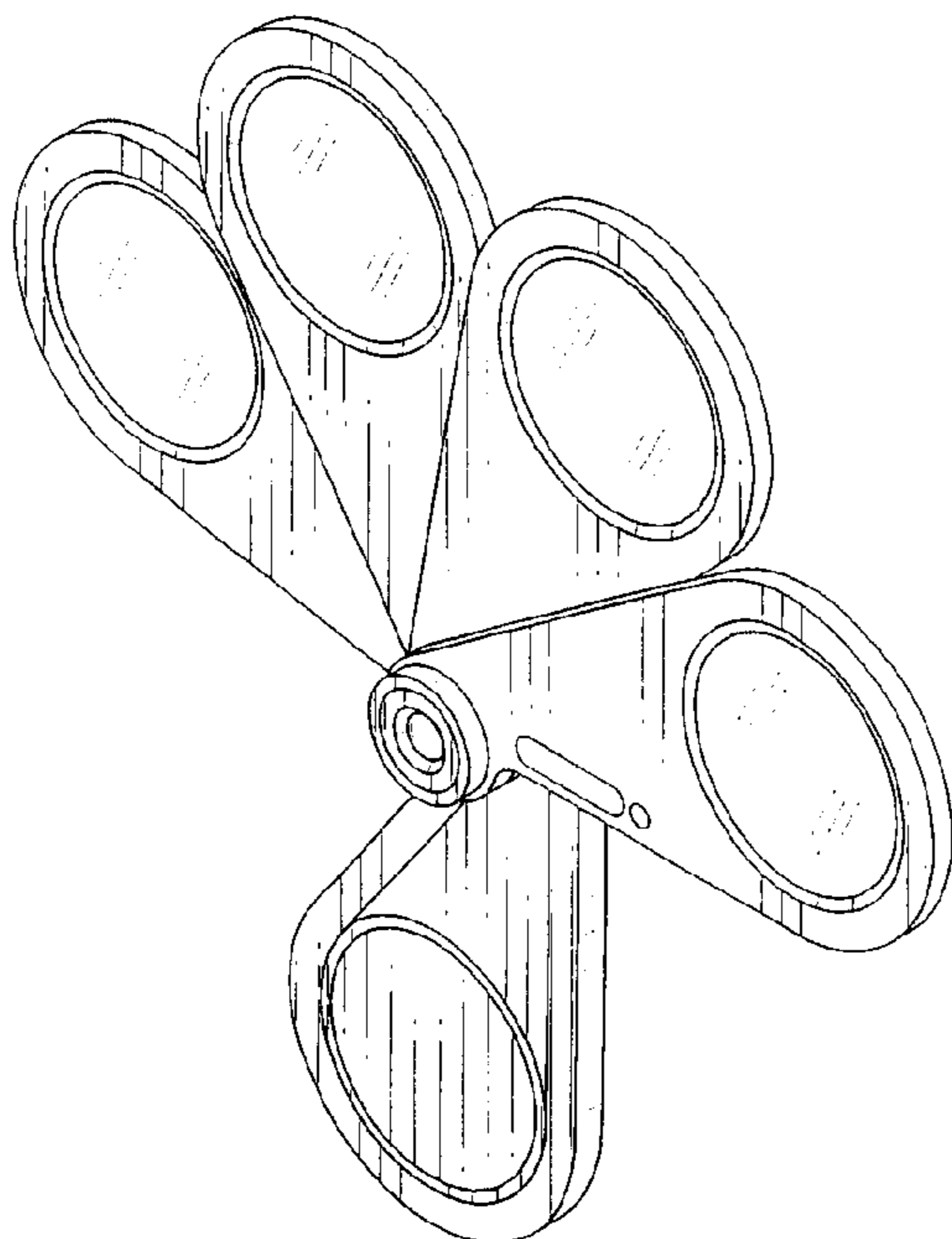


FIG. 1

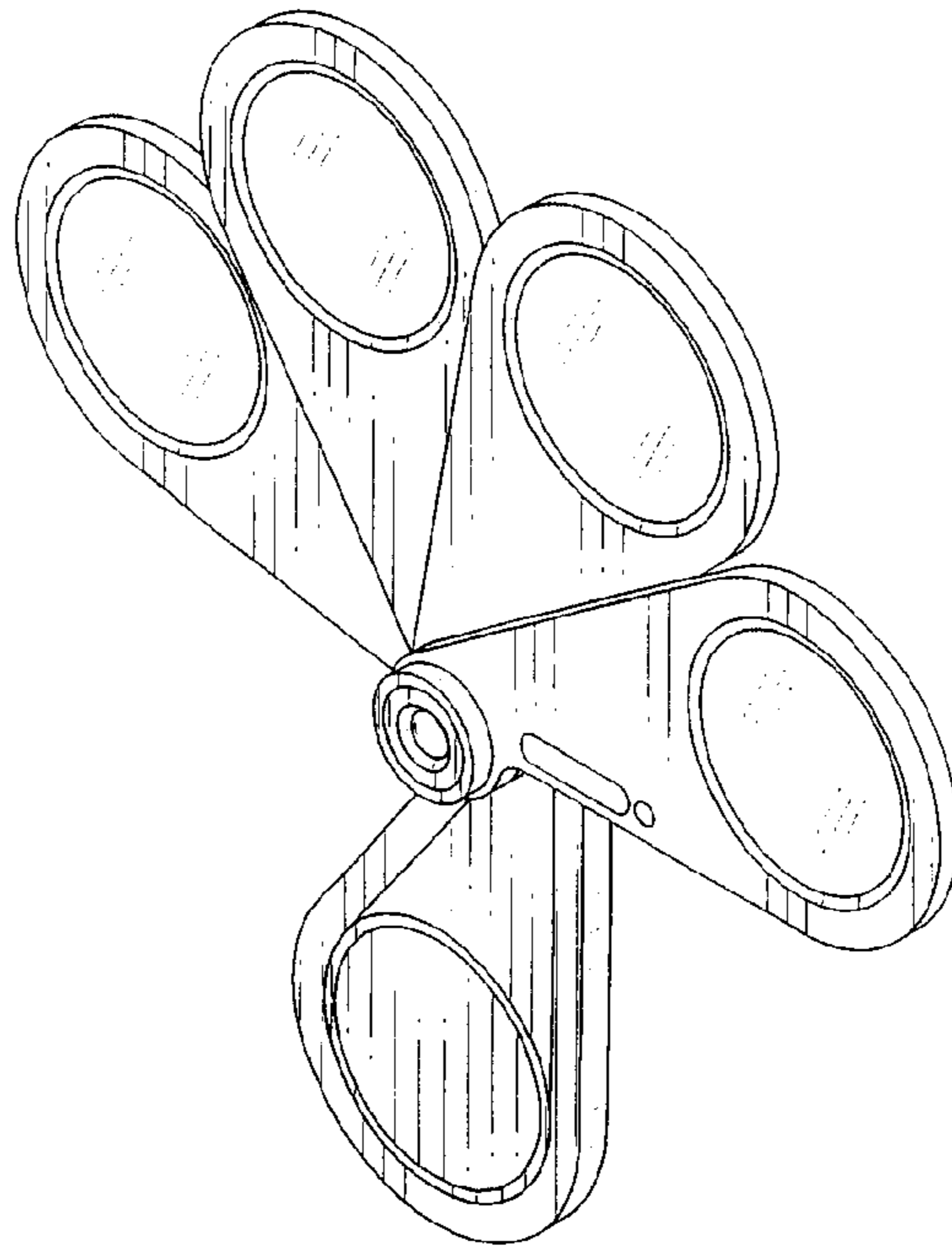


FIG. 2

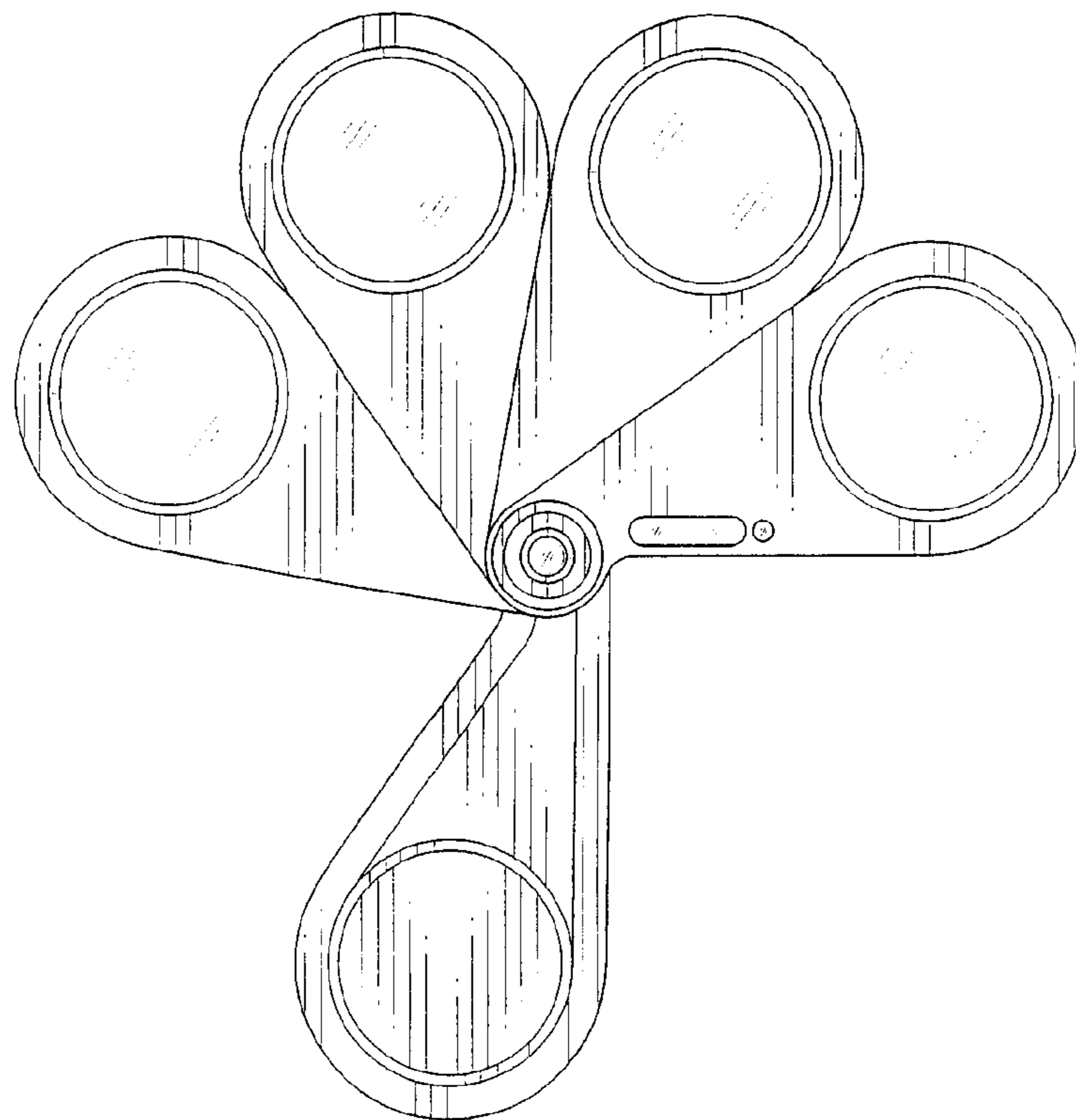


FIG.3

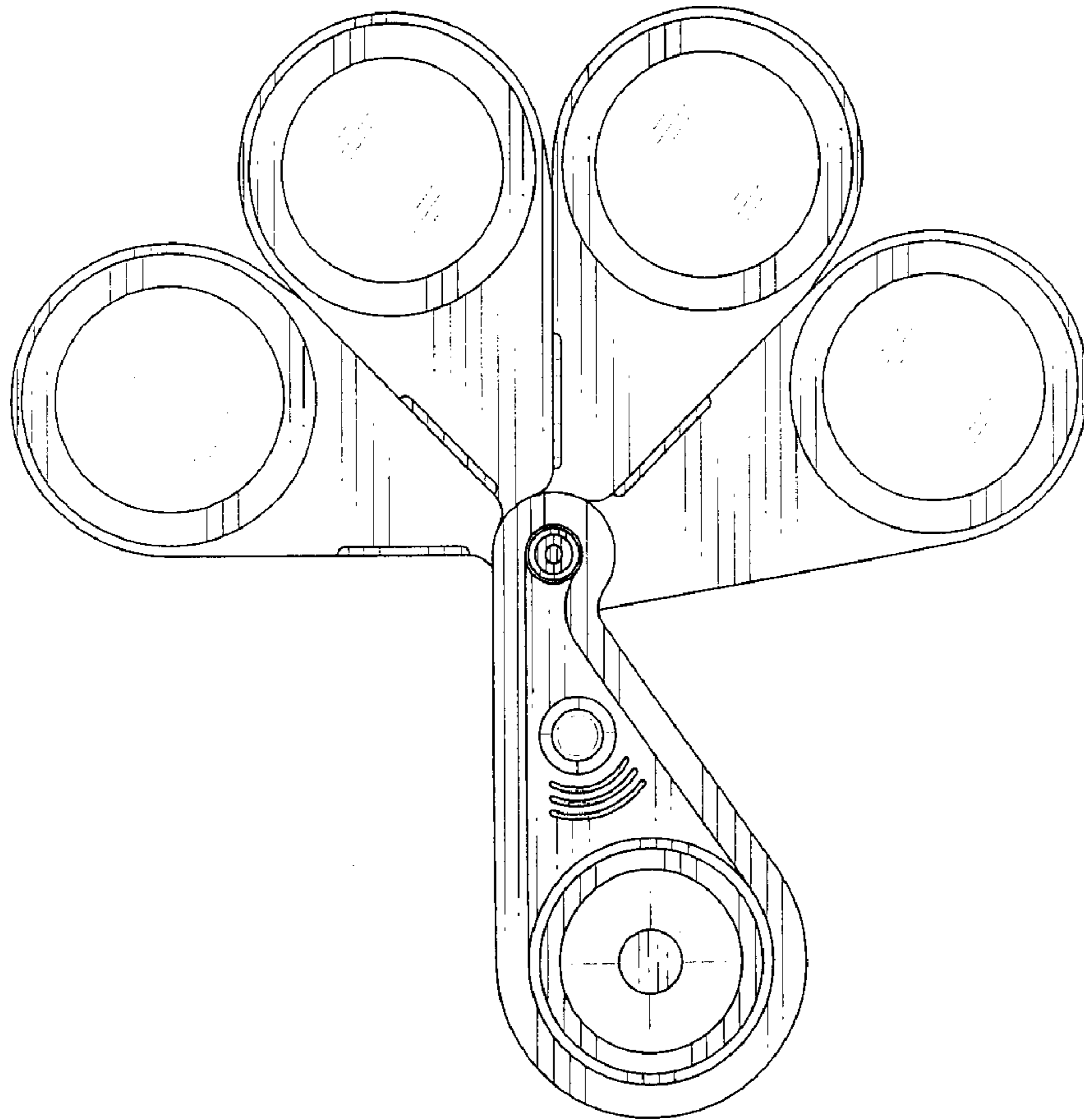


FIG.4

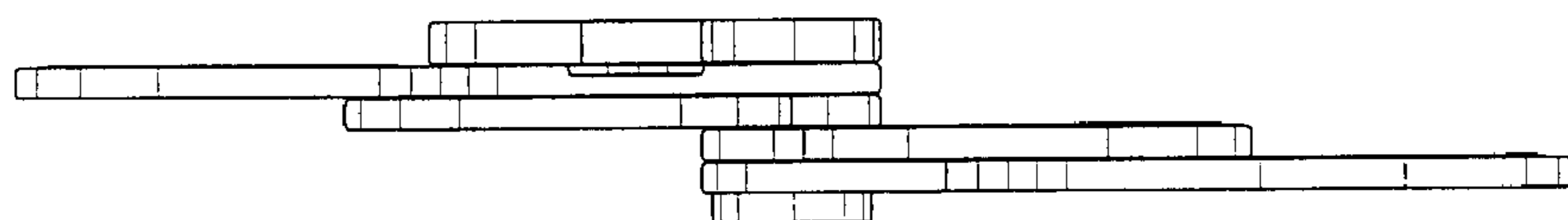


FIG. 5

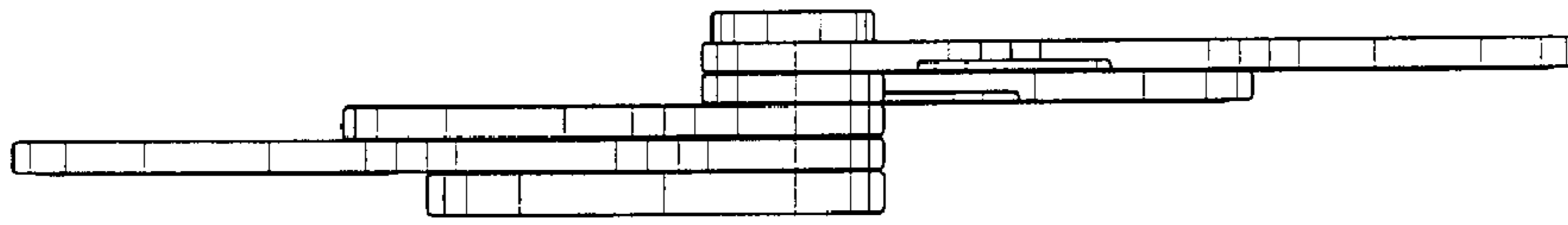


FIG. 6



FIG. 7

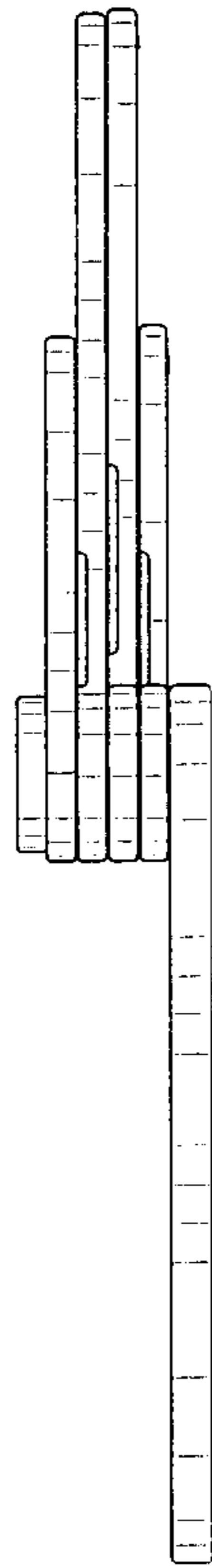


FIG. 8

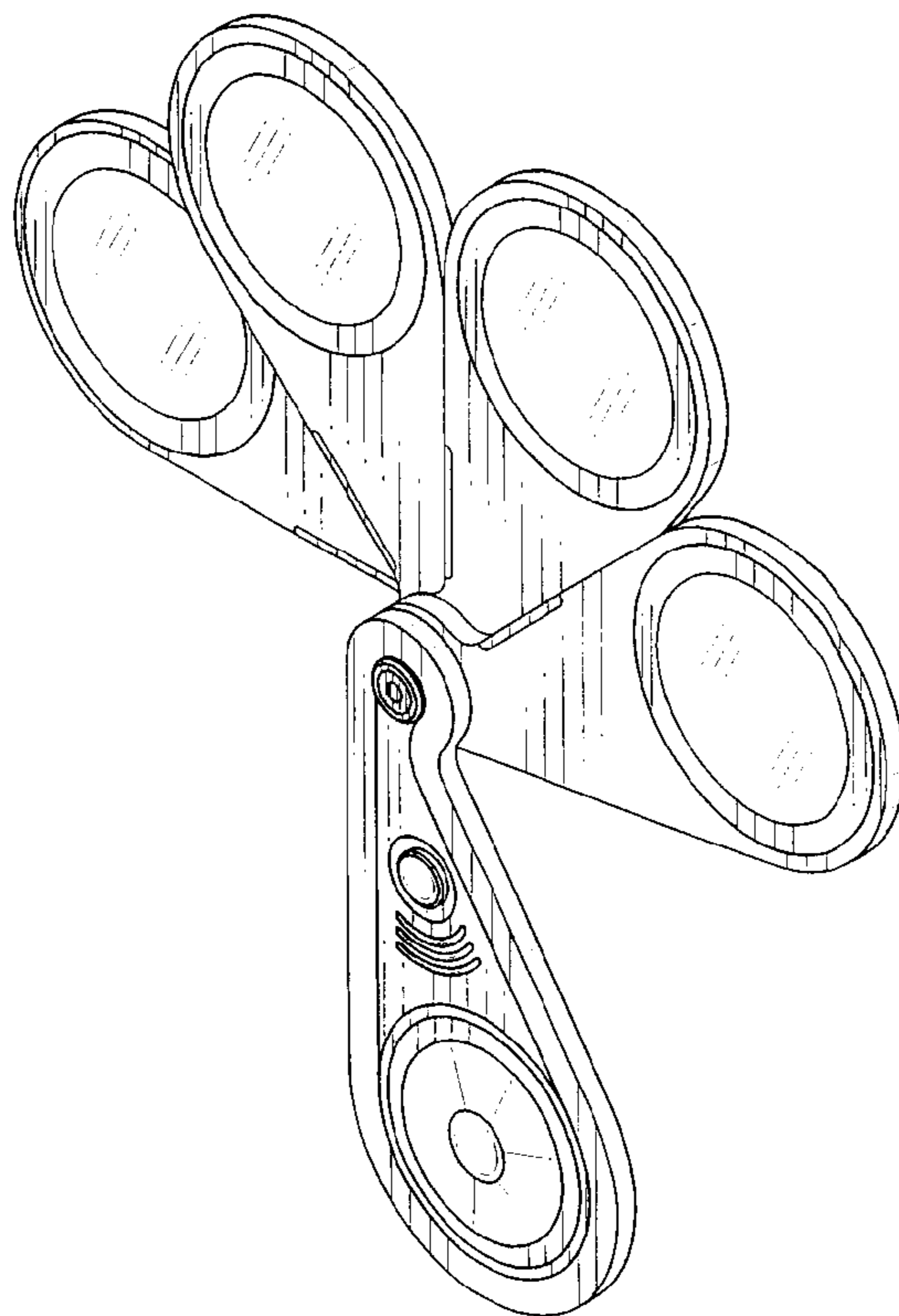


FIG. 9

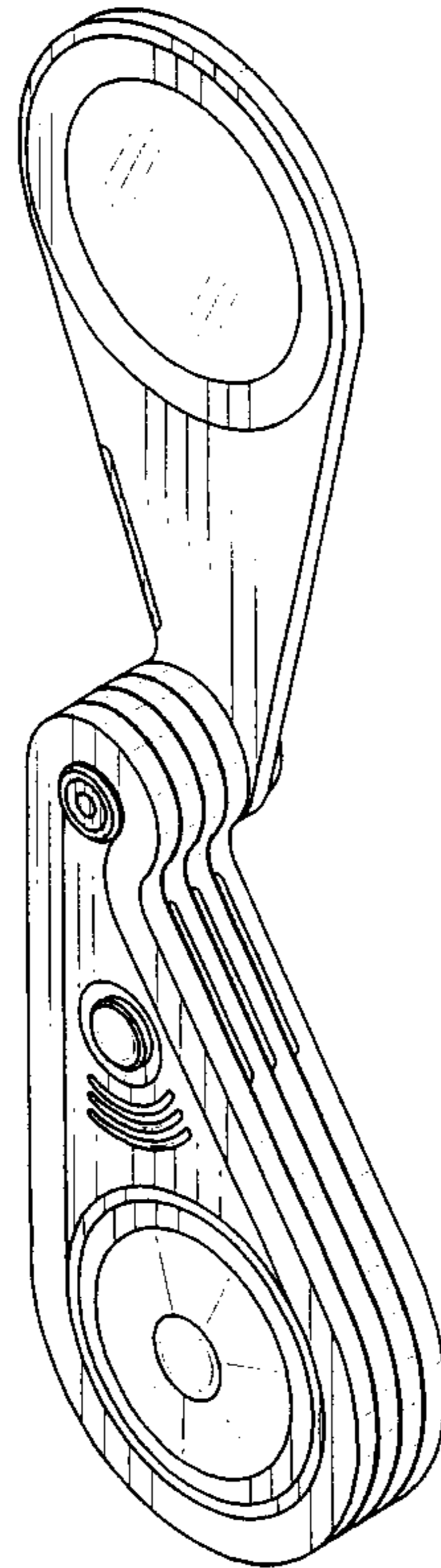


FIG. 10

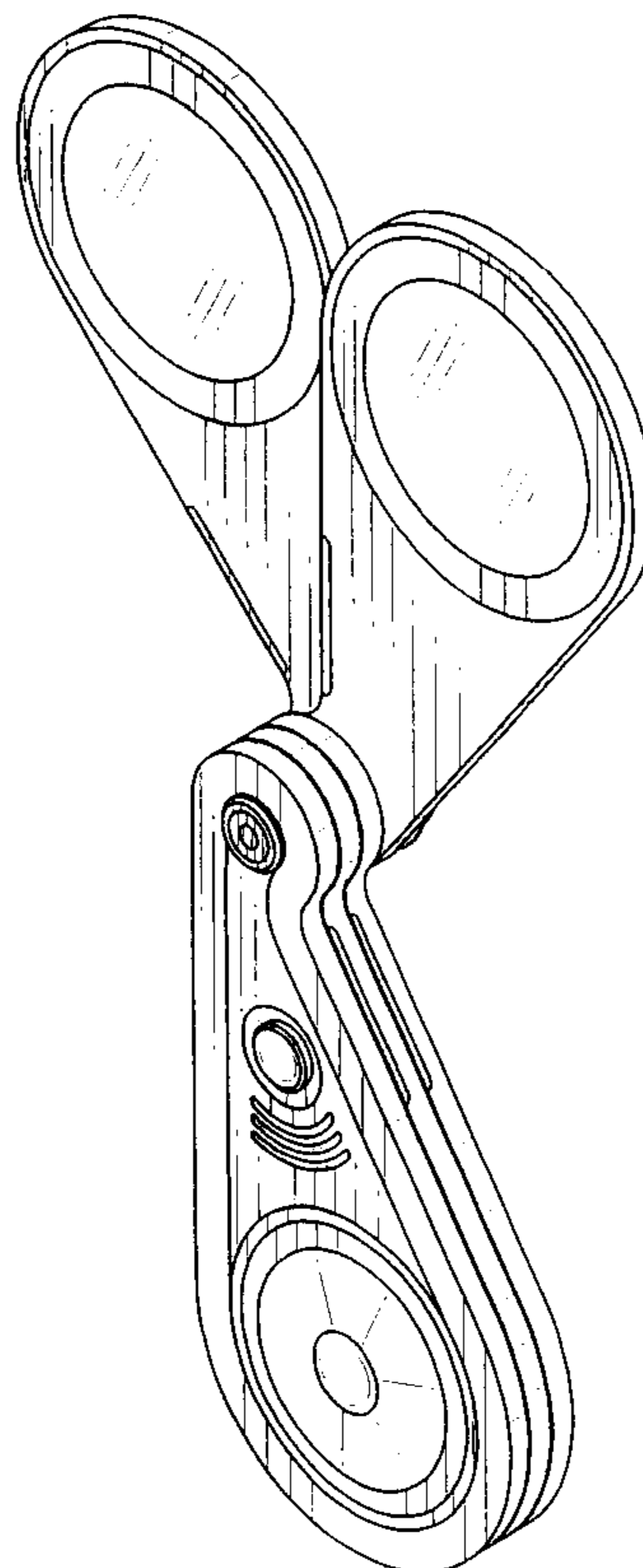


FIG. 11

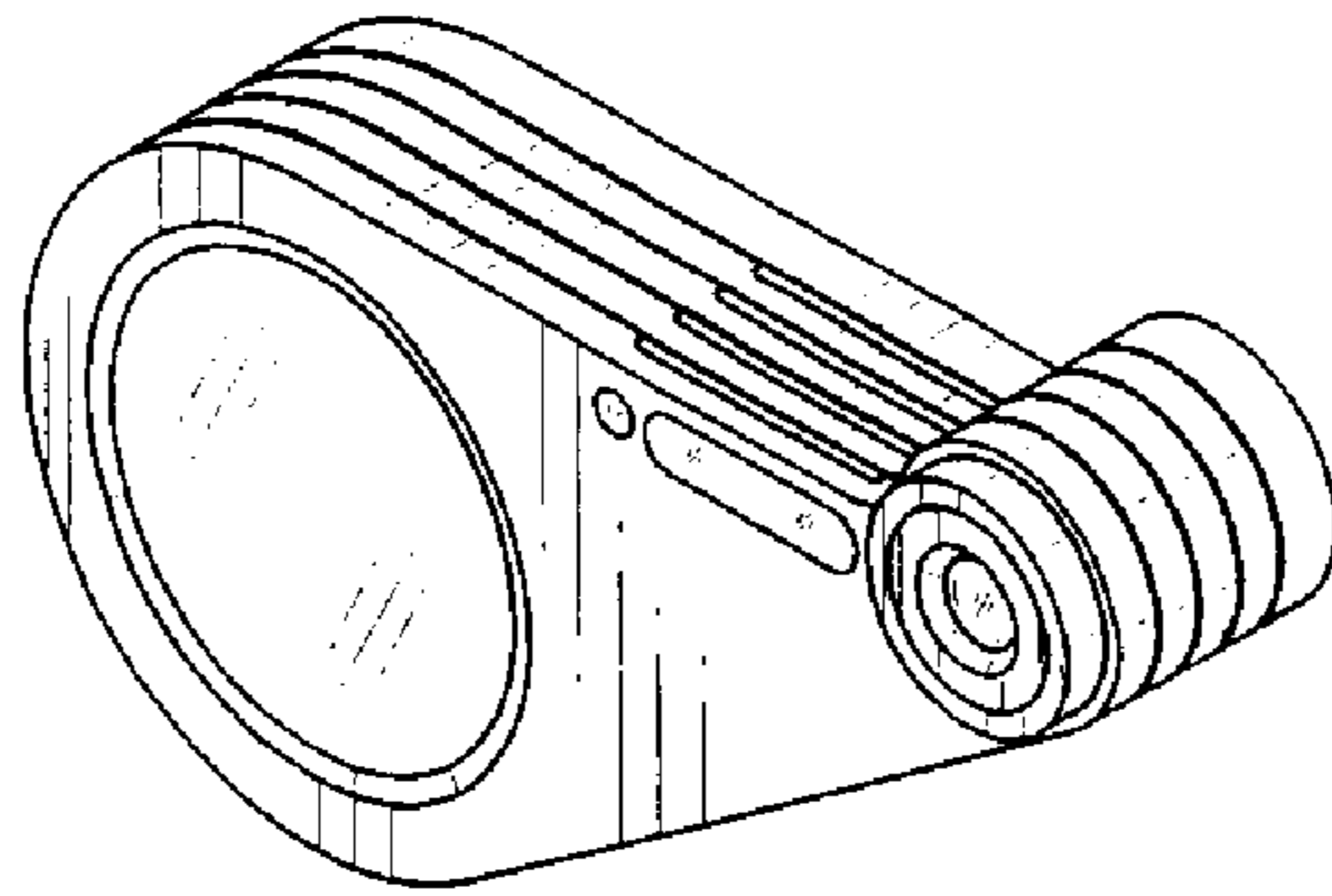


FIG. 12

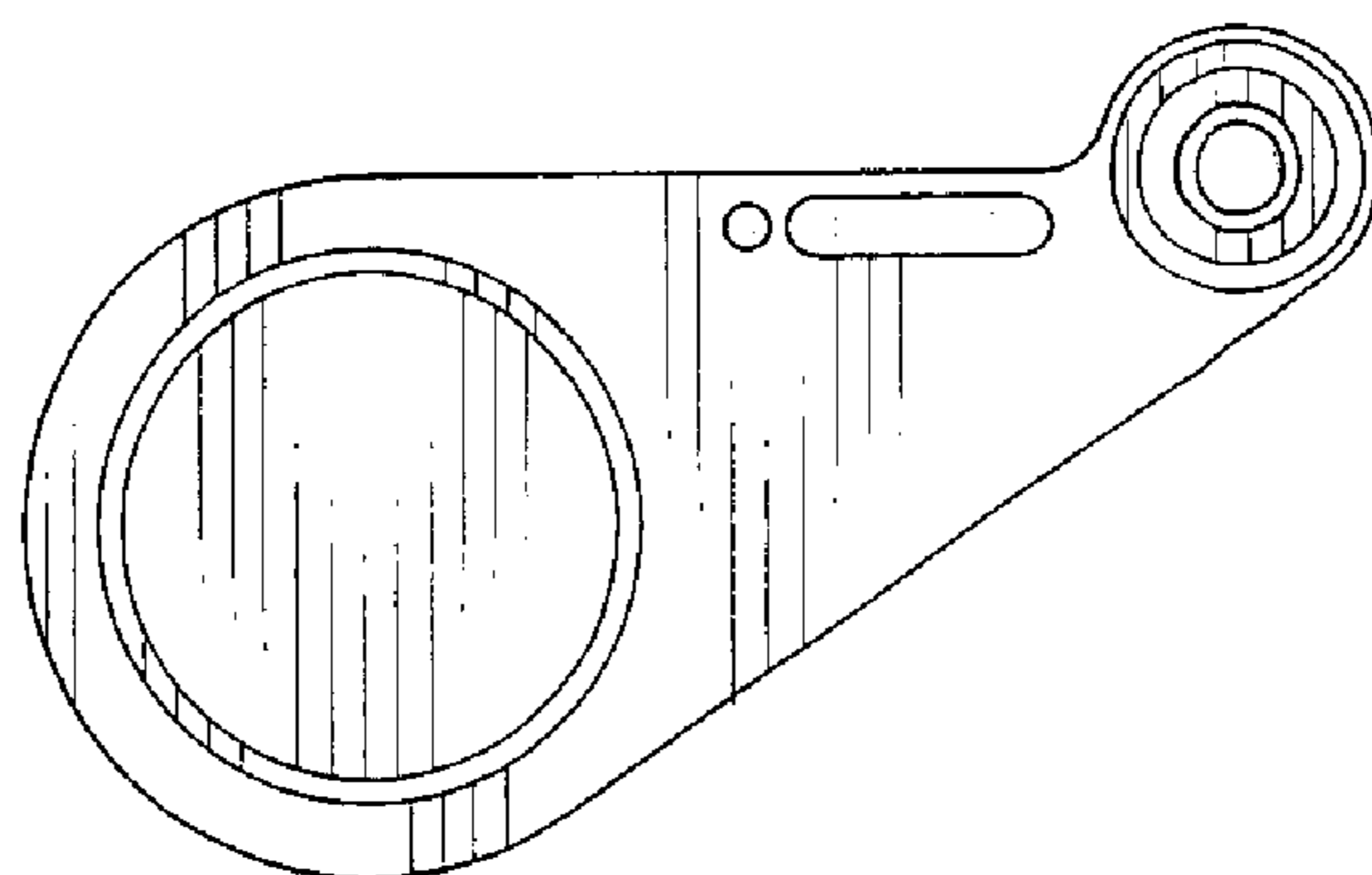


FIG. 13

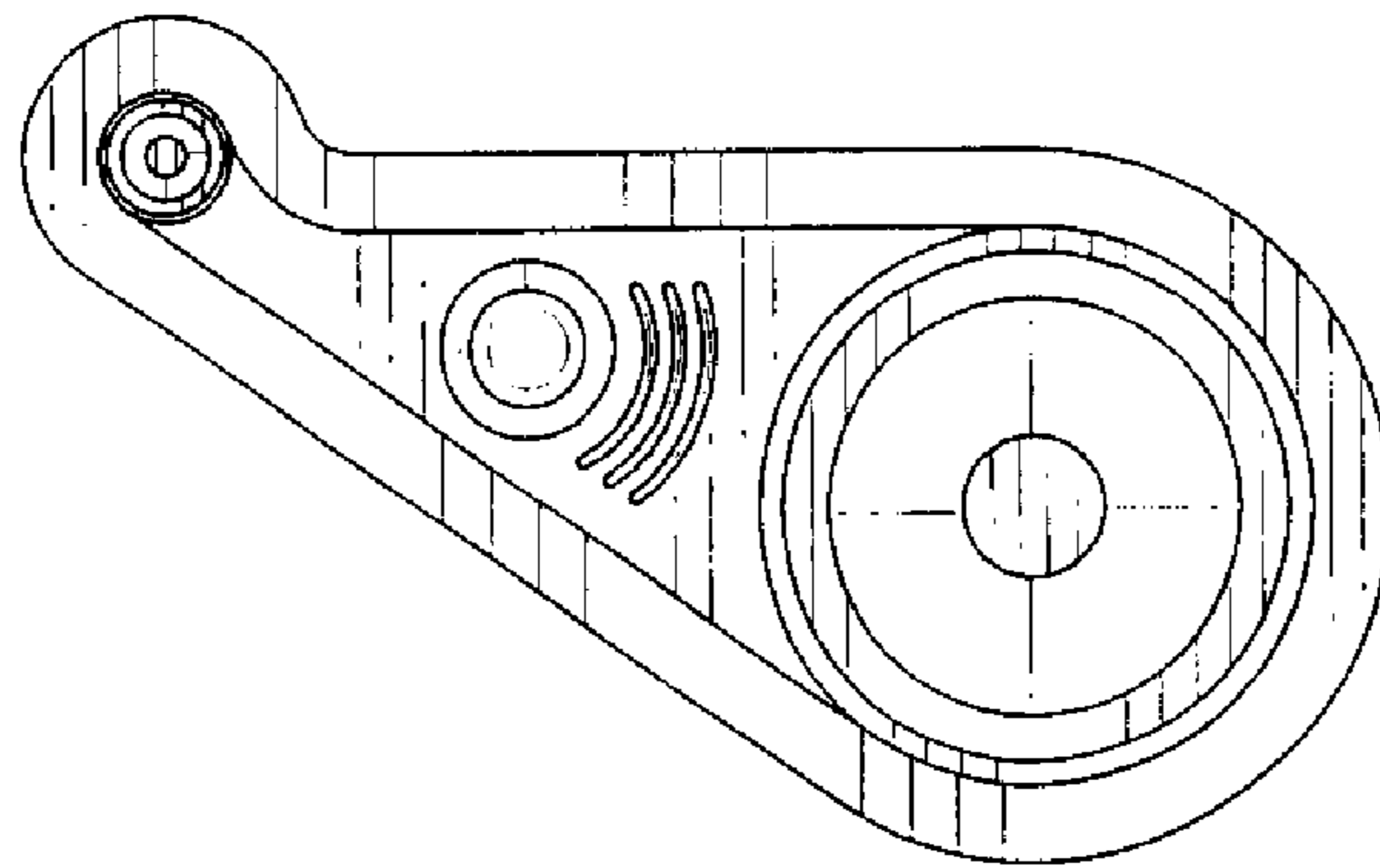


FIG. 14

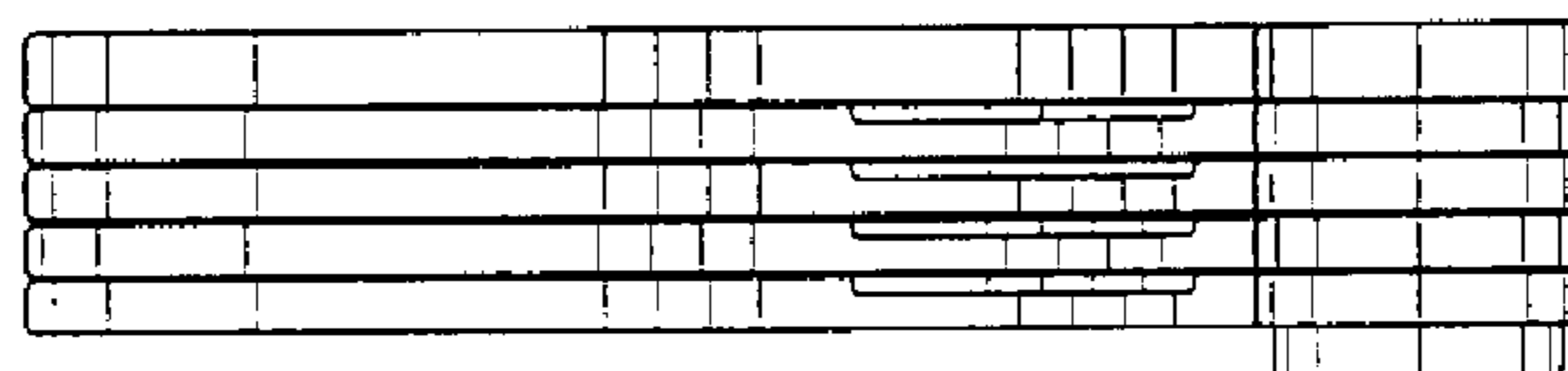


FIG. 15

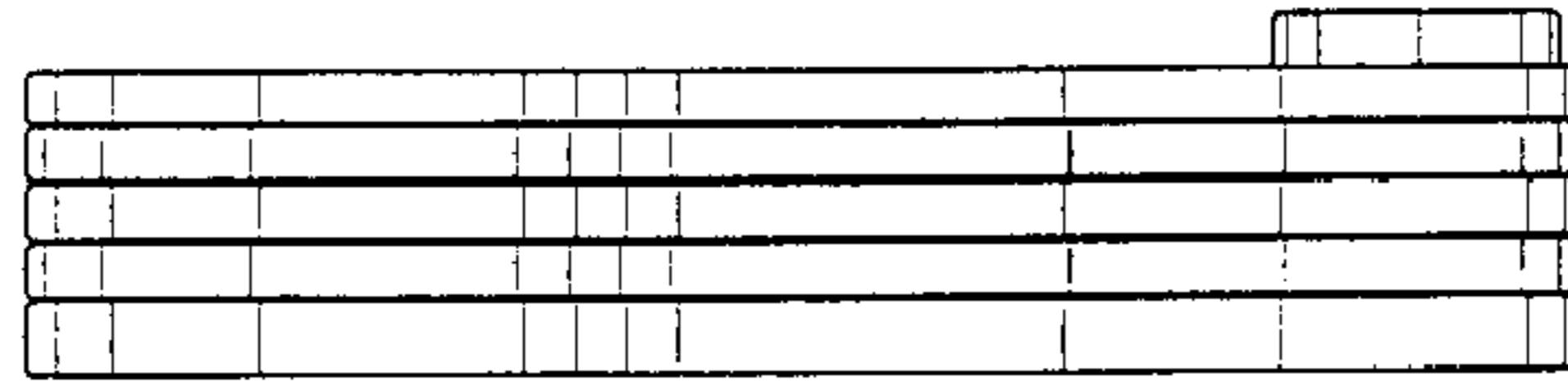


FIG. 16

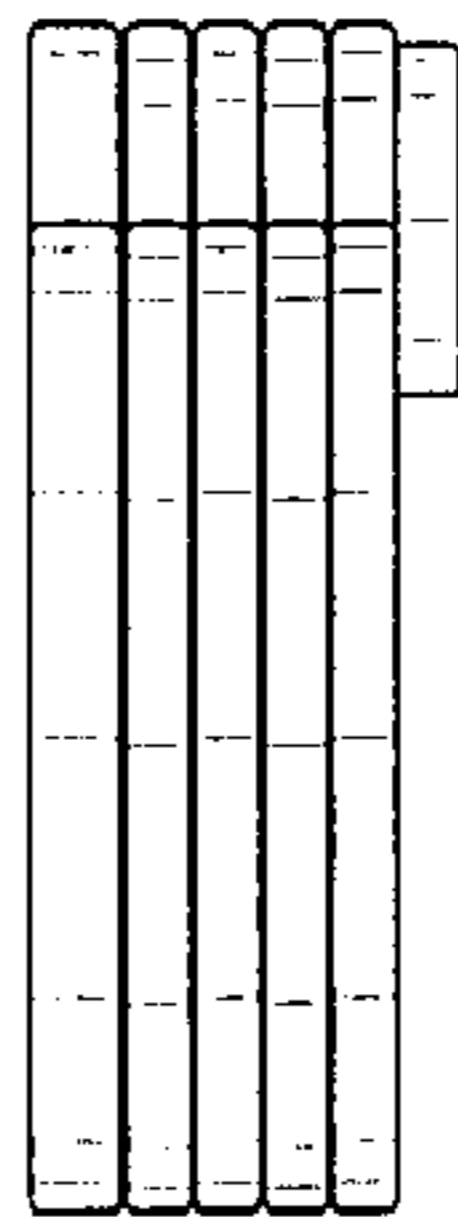


FIG. 17

