



US00D515121S

(12) **United States Design Patent** (10) **Patent No.:** **US D515,121 S**
Bleau et al. (45) **Date of Patent:** **** Feb. 14, 2006**

(54) **CCD CAMERA**

(75) Inventors: **Charles A. Bleau**, Atlanta, GA (US);
Mark P. McJunkin, Atlanta, GA (US);
Dean Q. Nguyen, Atlanta, GA (US)

(73) Assignee: **SciMeasure Analytical Systems, Inc.**,
Atlanta, GA (US)

(**) Term: **14 Years**

(21) Appl. No.: **29/193,306**

(22) Filed: **Nov. 7, 2003**

(51) **LOC (8) Cl.** **16-01**

(52) **U.S. Cl.** **D16/202; D16/218**

(58) **Field of Classification Search** D16/200–205,
D16/208, 218; 348/373–376; 358/906, 909.1;
396/535–541

See application file for complete search history.

(56) **References Cited**

U.S. PATENT DOCUMENTS

5,032,919	A	*	7/1991	Randmae	348/374
D441,386	S	*	5/2001	Yamazaki	D16/203
D465,504	S	*	11/2002	Van Klinken	D16/203
D477,342	S	*	7/2003	Yeh	D16/202
D489,388	S	*	5/2004	Saito et al.	D16/218
D496,382	S	*	9/2004	Yamakami et al.	D16/218

* cited by examiner

Primary Examiner—Adir Aronovich

(74) *Attorney, Agent, or Firm*—Alston & Bird LLP

(57) **CLAIM**

The ornamental design for a CCD camera, as shown and described.

DESCRIPTION

FIG. 1 is a side perspective view of an embodiment of a CCD camera according to the present design;

FIG. 2 is a front elevation view of the CCD camera of FIG. 1;

FIG. 3 is a right side elevation view of the CCD camera of FIG. 1;

FIG. 4 is a rear elevation view of the CCD camera of FIG. 1;

FIG. 5 is a left side elevation view of the CCD camera of FIG. 1;

FIG. 6 is a top plan view of the CCD camera of FIG. 1;

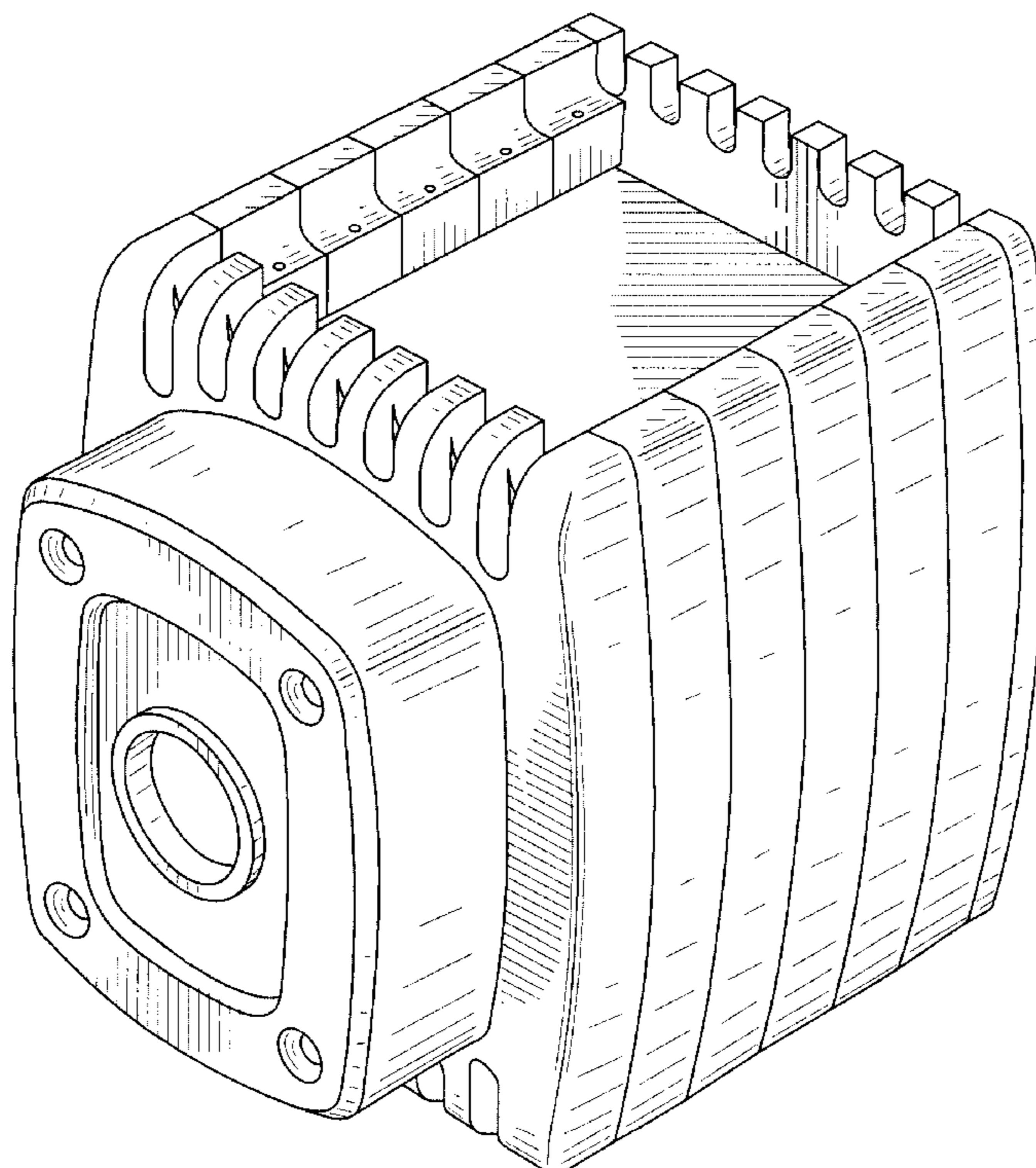
FIG. 7 is a bottom plan view of the CCD camera of FIG. 1; and,

FIG. 8 is a right side elevation view of another embodiment the CCD camera according to the present design and similar to FIG. 3 of the embodiment of FIG. 1 with broken away lines indicating the indeterminate length of the CCD camera.

The rest of the views of the embodiment of FIG. 8 (FIGS. 1, 2, and 4–7) are otherwise the same as in the embodiment of FIG. 1.

The broken away lines of FIG. 8 do not indicate the specific length (beyond that shown in the drawings) and form no part of the claimed design.

1 Claim, 8 Drawing Sheets



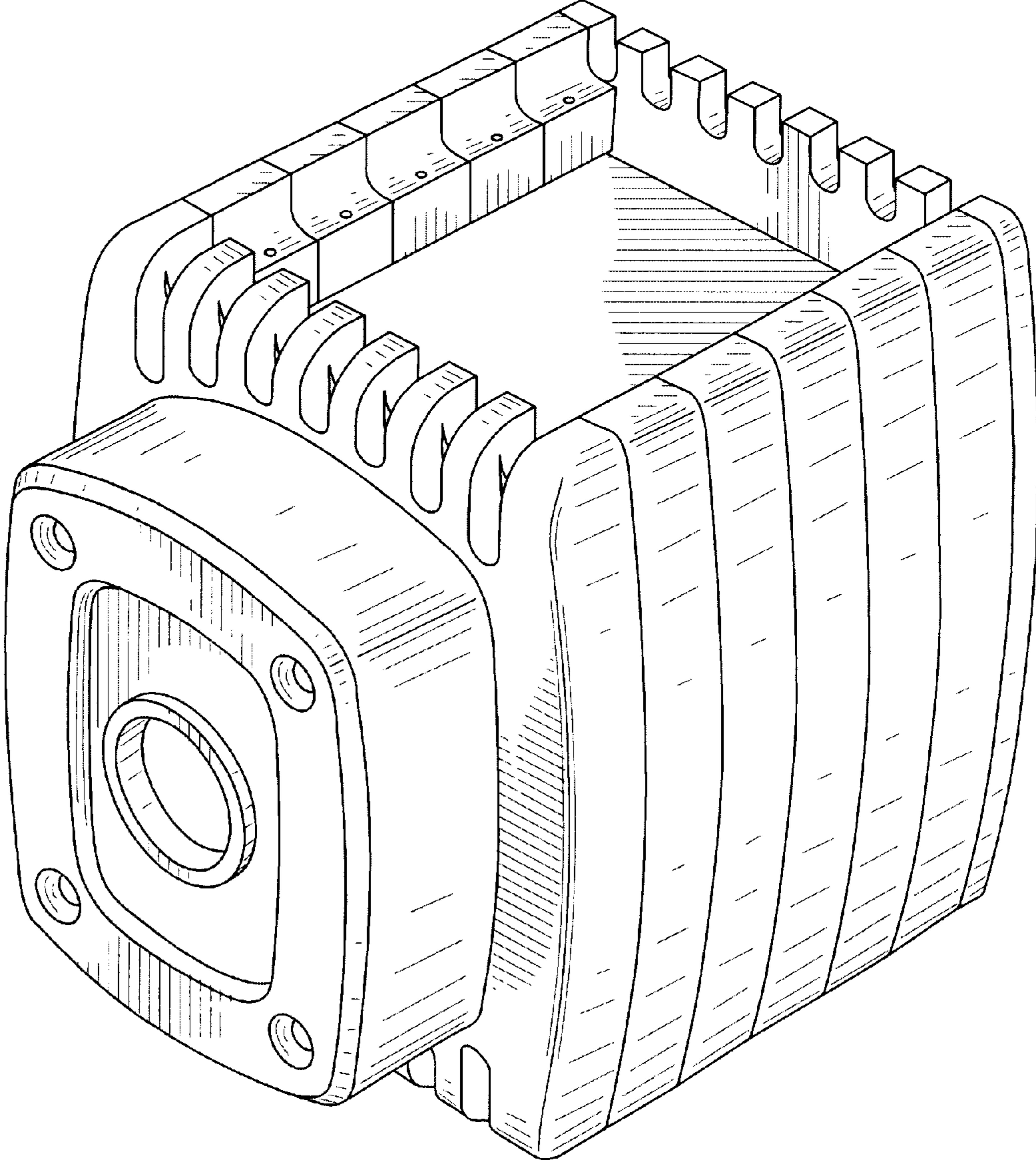


FIG. 1

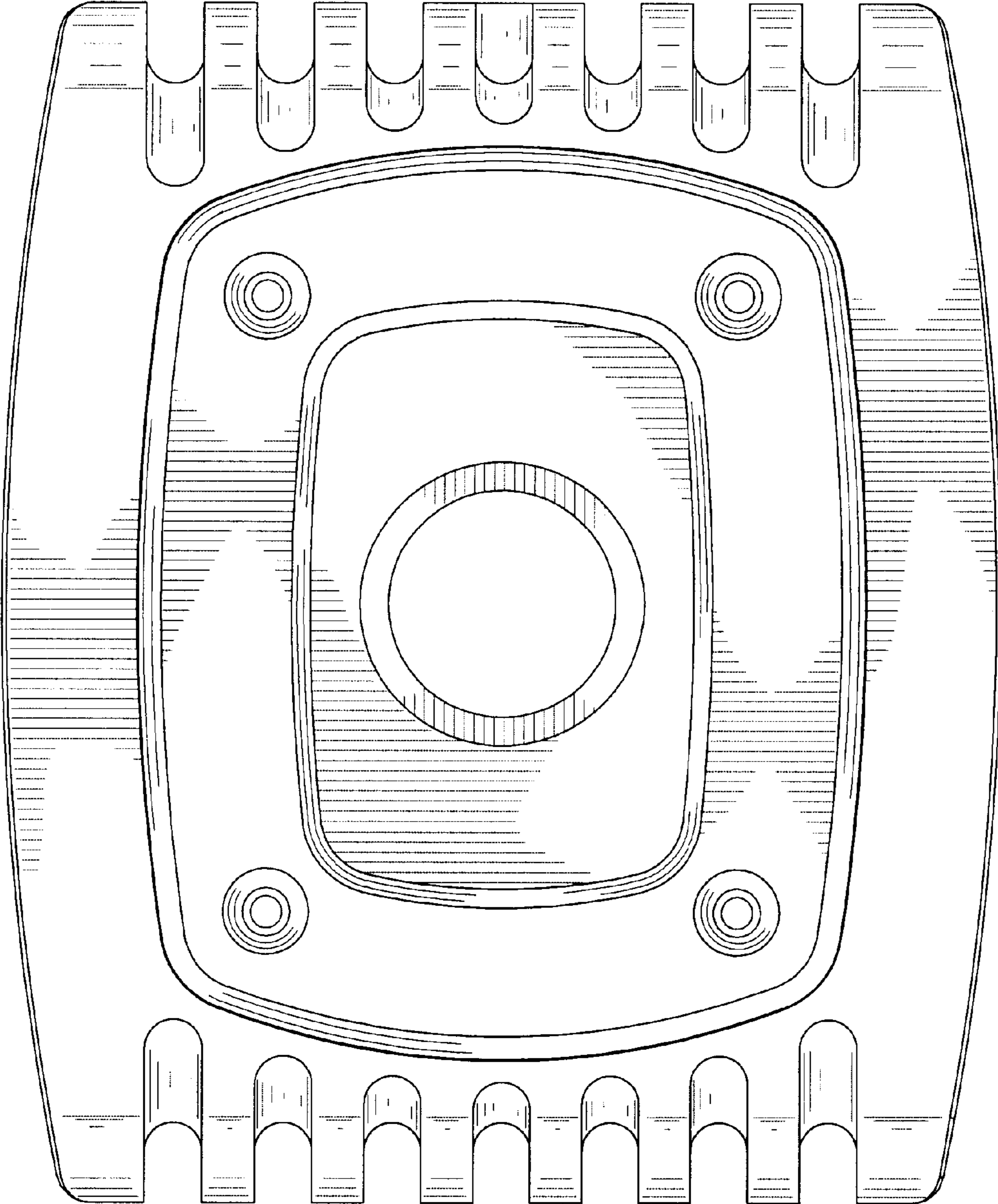


FIG. 2

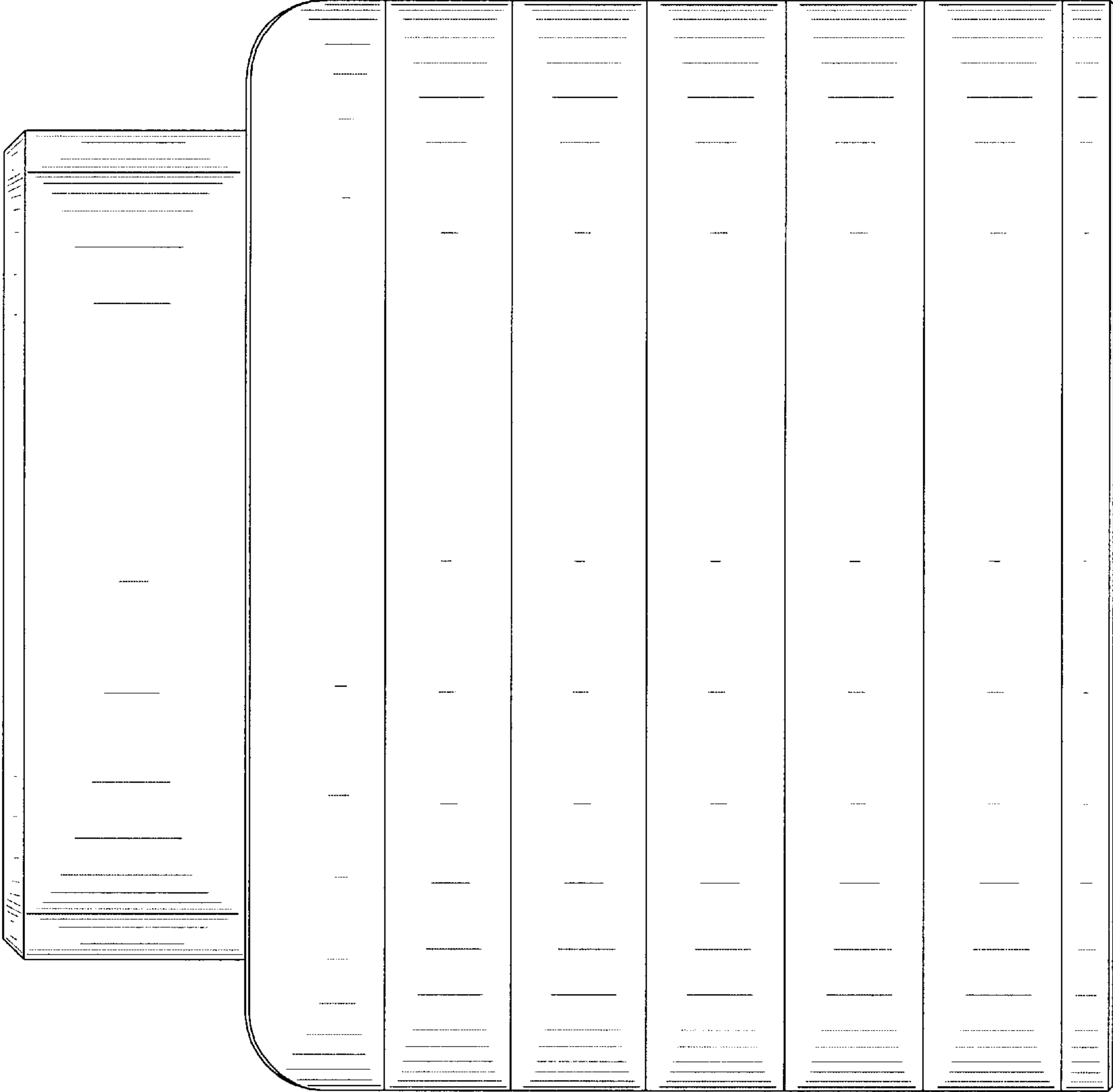


FIG. 3

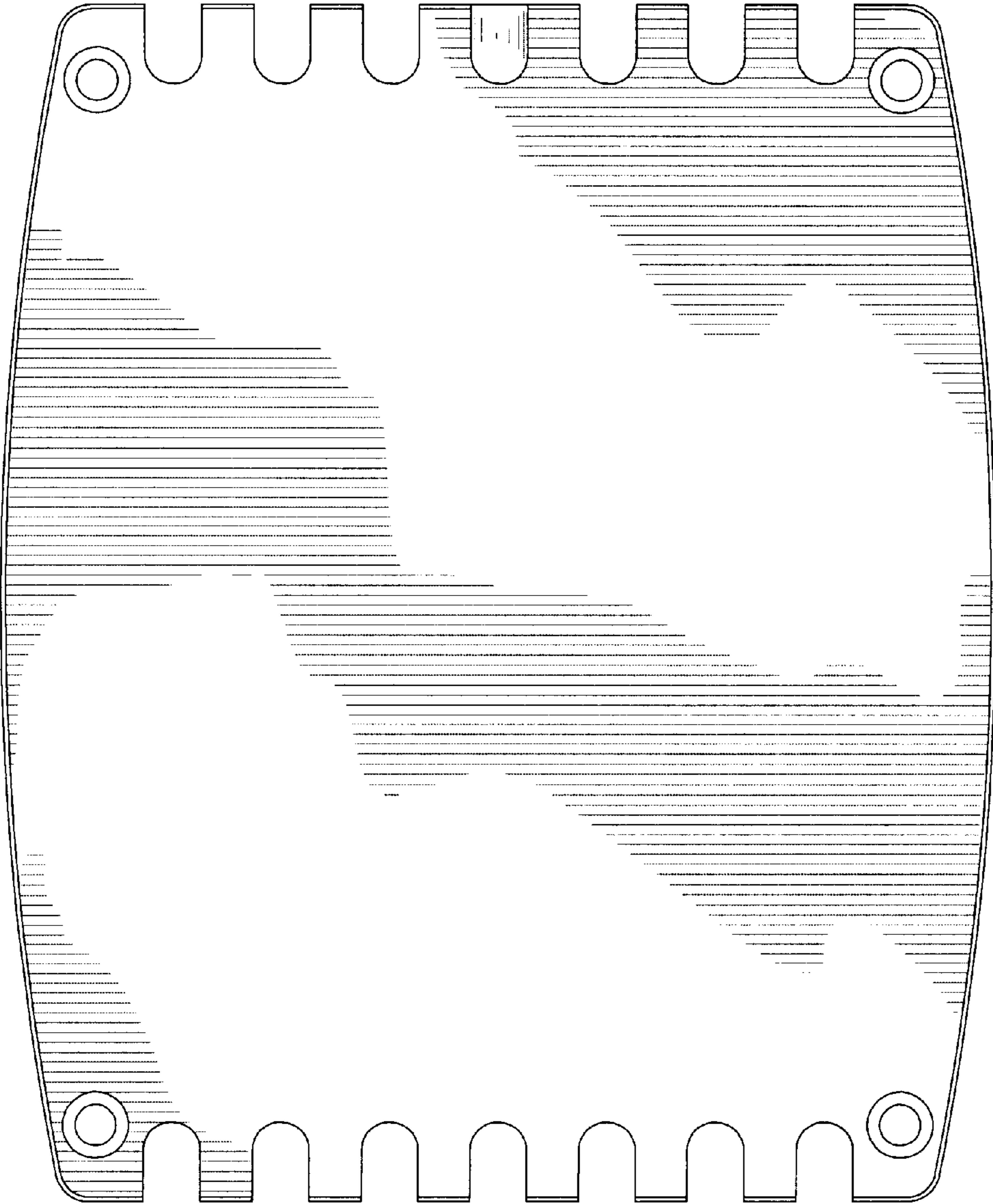


FIG. 4

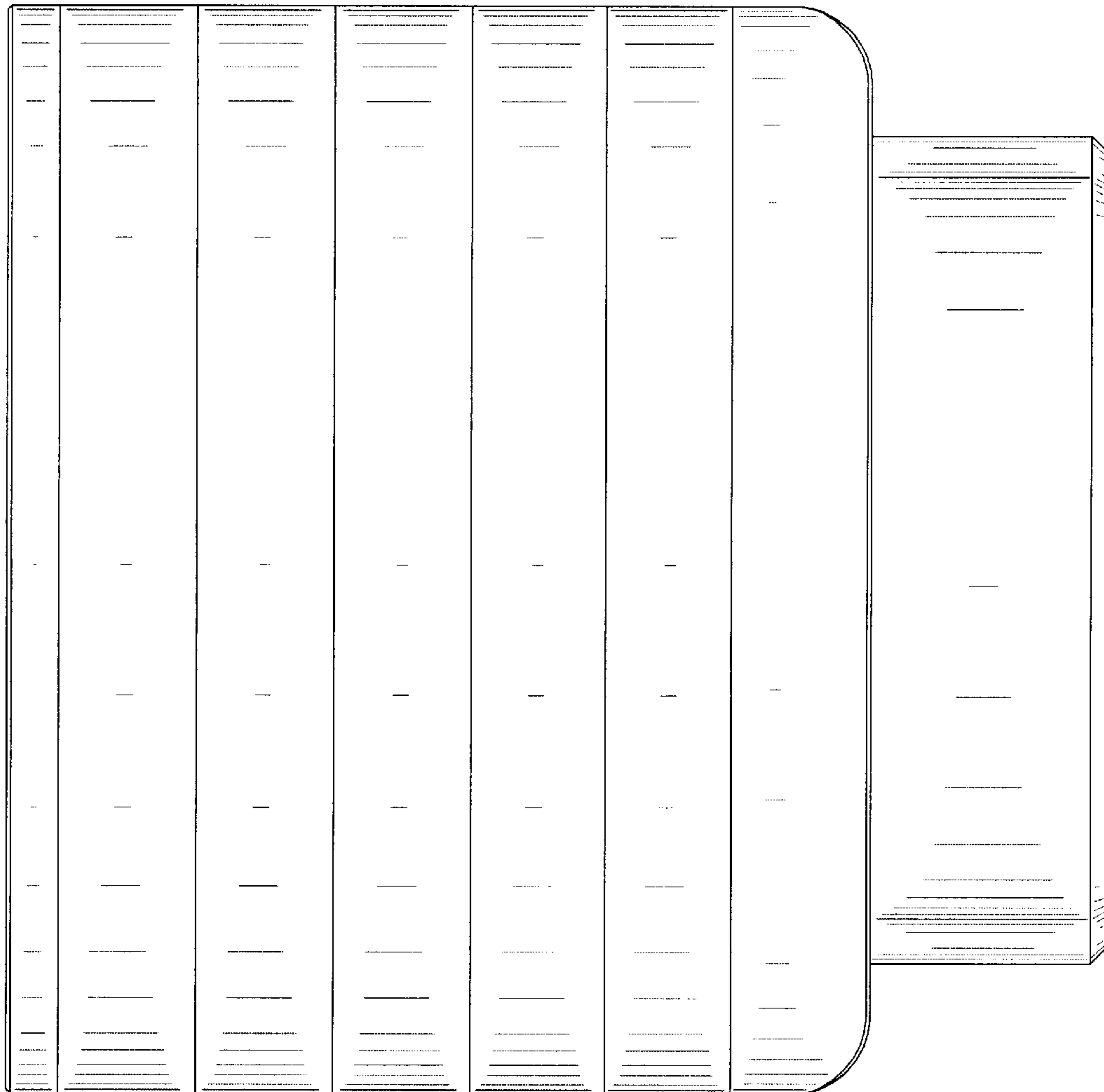


FIG. 5

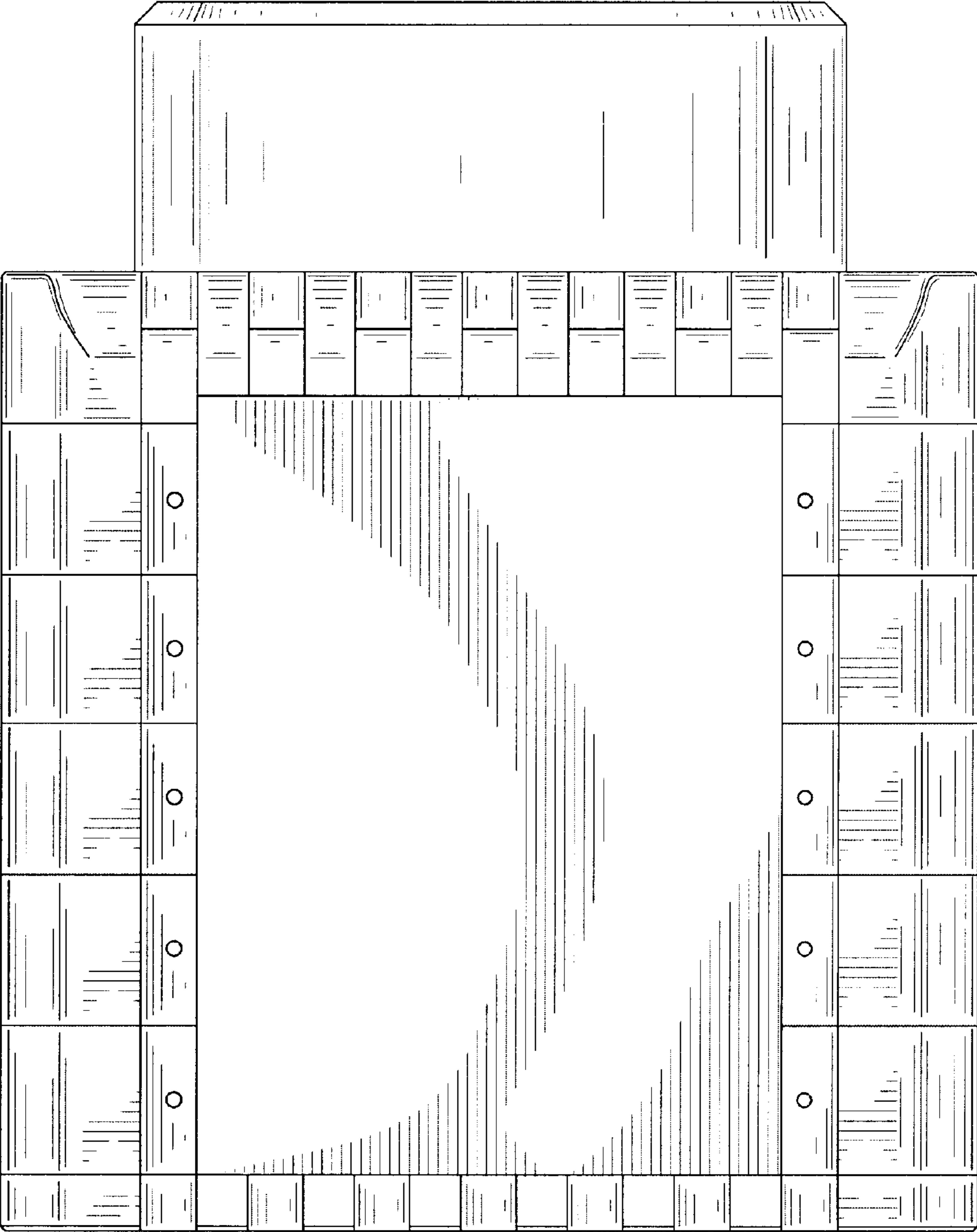


FIG. 6

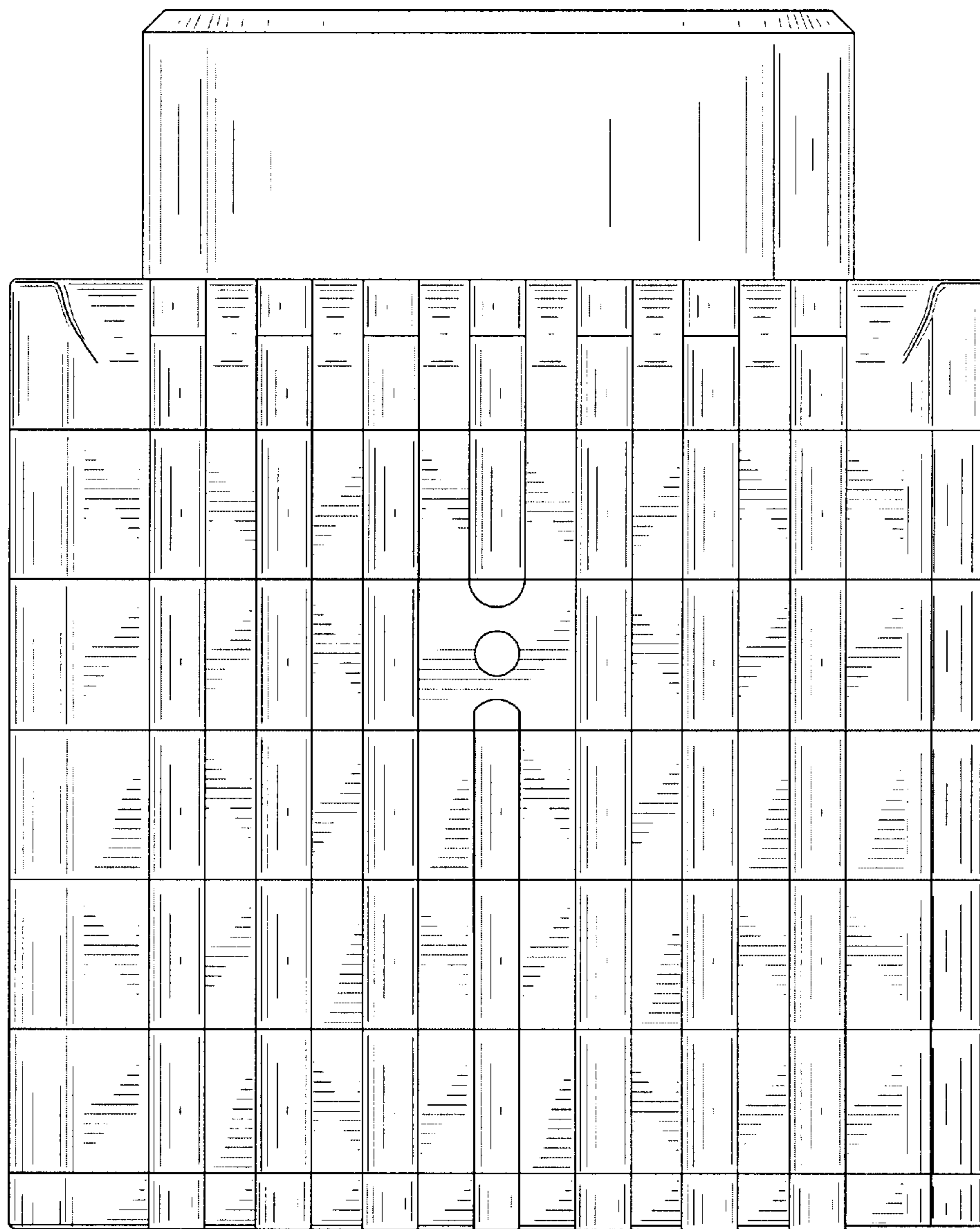


FIG. 7

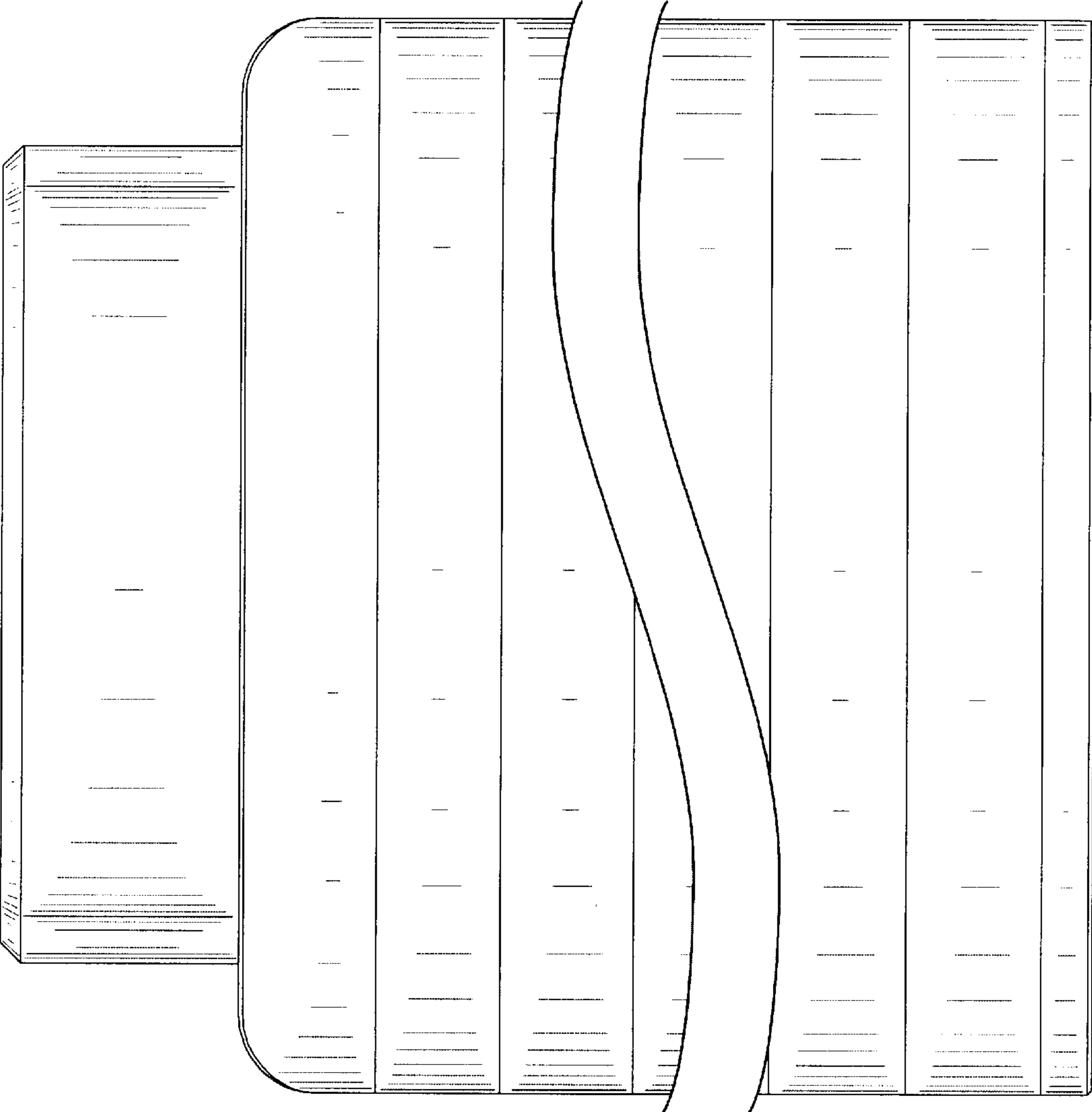


FIG. 8