



US00D515120S

(12) **United States Design Patent**
Funakoshi

(10) **Patent No.:** **US D515,120 S**

(45) **Date of Patent:** **** Feb. 14, 2006**

(54) **DIGITAL CAMERA**

(75) **Inventor:** **Yasuo Funakoshi, Hachioji (JP)**

(73) **Assignee:** **Olympus Corporation, Tokyo (JP)**

(**) **Term:** **14 Years**

(21) **Appl. No.:** **29/192,356**

(22) **Filed:** **Oct. 22, 2003**

(51) **LOC (8) Cl.** **16-01**

(52) **U.S. Cl.** **D16/202**

(58) **Field of Classification Search** **D16/200-206,**
D16/208, 218; 348/373-376; 358/906, 909.1;
396/535-541

See application file for complete search history.

(56) **References Cited**

U.S. PATENT DOCUMENTS

D406,854 S	*	3/1999	Swayze et al.	D16/202
D430,187 S	*	8/2000	Naito	D16/218
D442,203 S	*	5/2001	Suzuki et al.	D16/202
D456,430 S	*	4/2002	Kobayashi et al.	D16/202

6,463,222 B1	*	10/2002	Ito et al.	396/541
D484,904 S	*	1/2004	Naitou	D16/218

* cited by examiner

Primary Examiner—Adir Aronovich

(74) *Attorney, Agent, or Firm*—Hogan & Hartson, LLP

(57) **CLAIM**

The ornamental design for a digital camera, as shown and described.

DESCRIPTION

FIG. 1 is a front top and left side perspective view of a digital camera showing my new design;

FIG. 2 is a rear, bottom and right side perspective view thereof;

FIG. 3 is a front elevational view thereof;

FIG. 4 is a rear elevational view thereof;

FIG. 5 is a top plan view thereof;

FIG. 6 is a bottom plan view thereof;

FIG. 7 is a right side elevational view thereof; and,

FIG. 8 is a left side elevational view thereof.

1 Claim, 8 Drawing Sheets

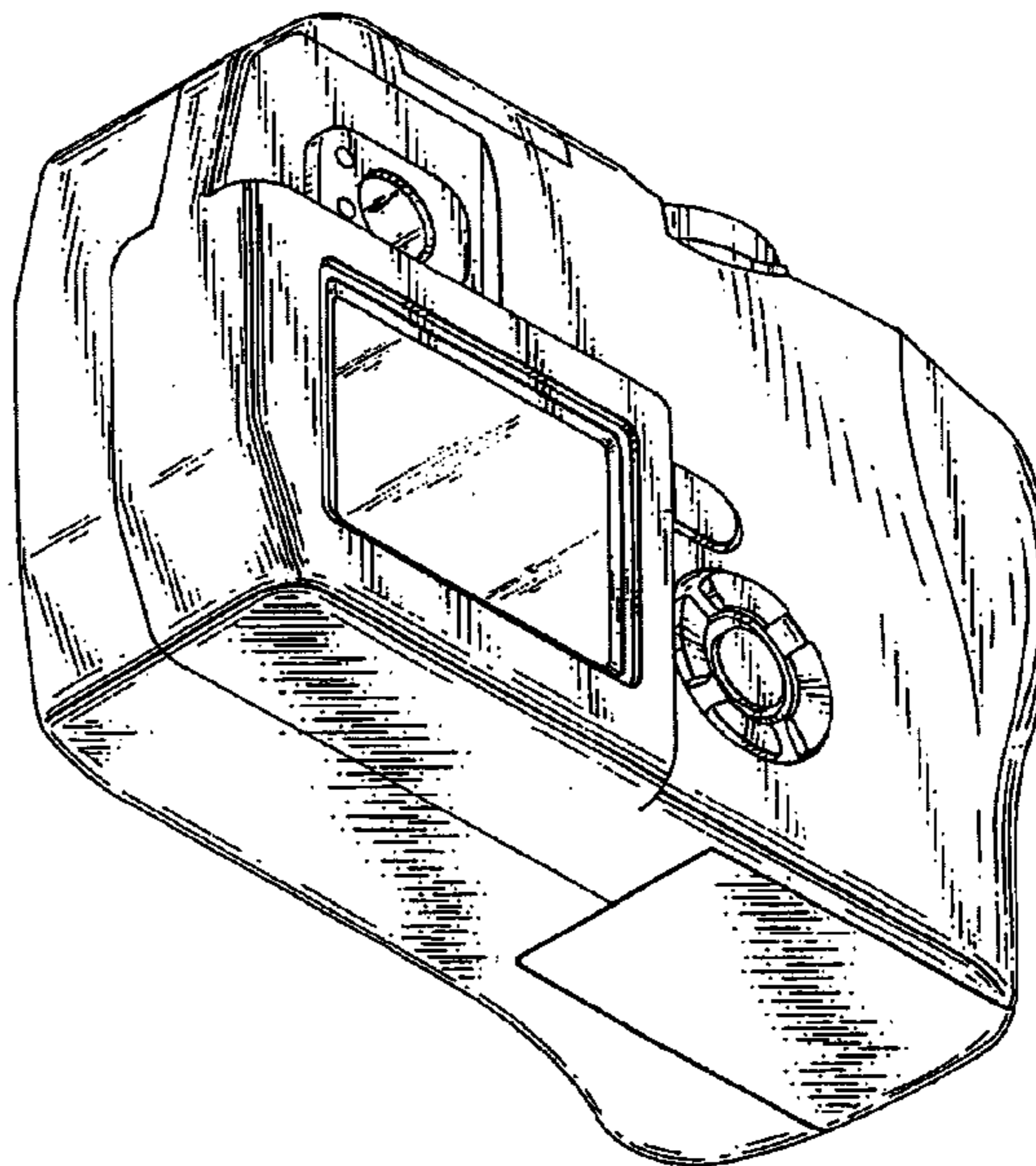
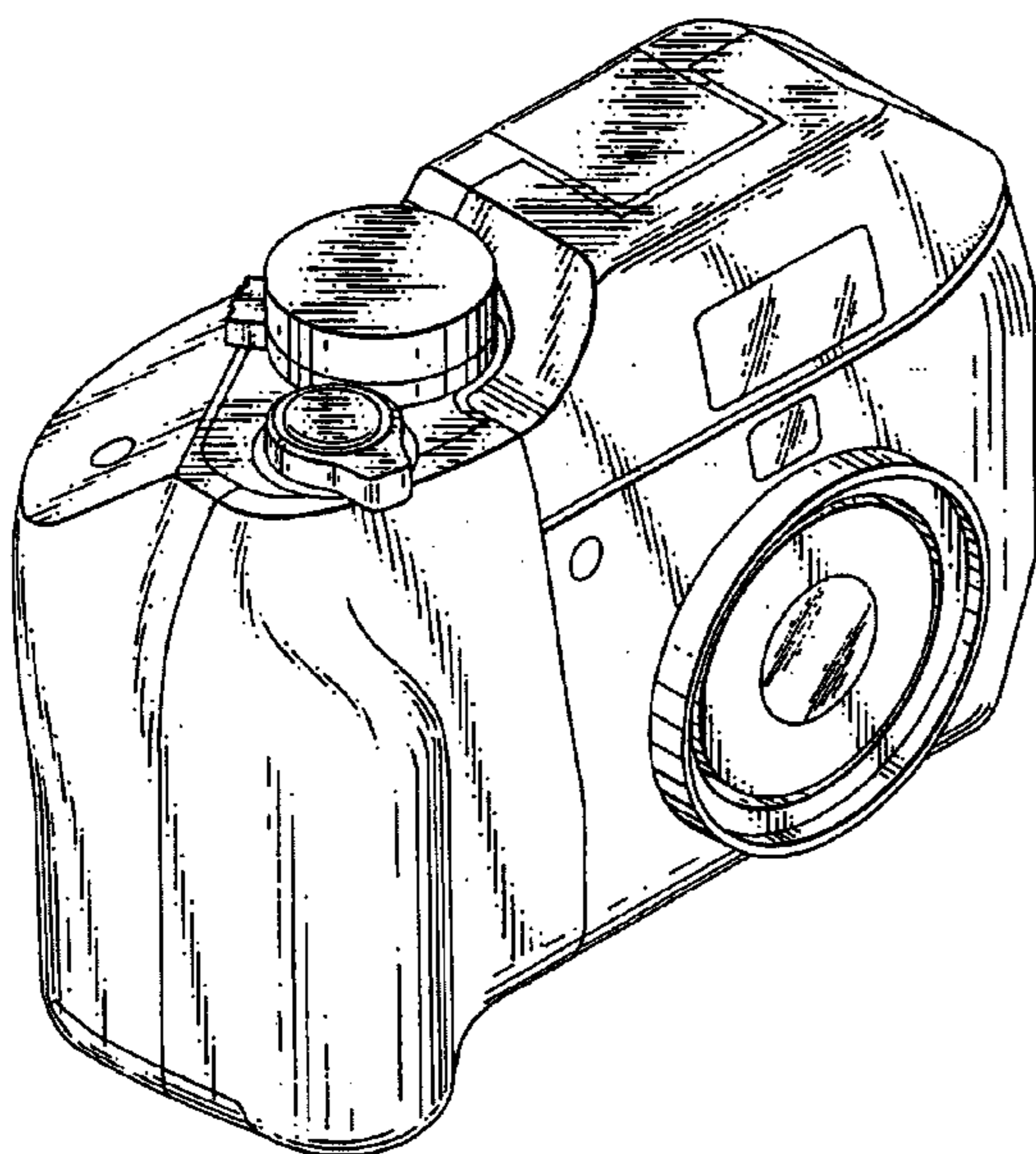


FIG. 1

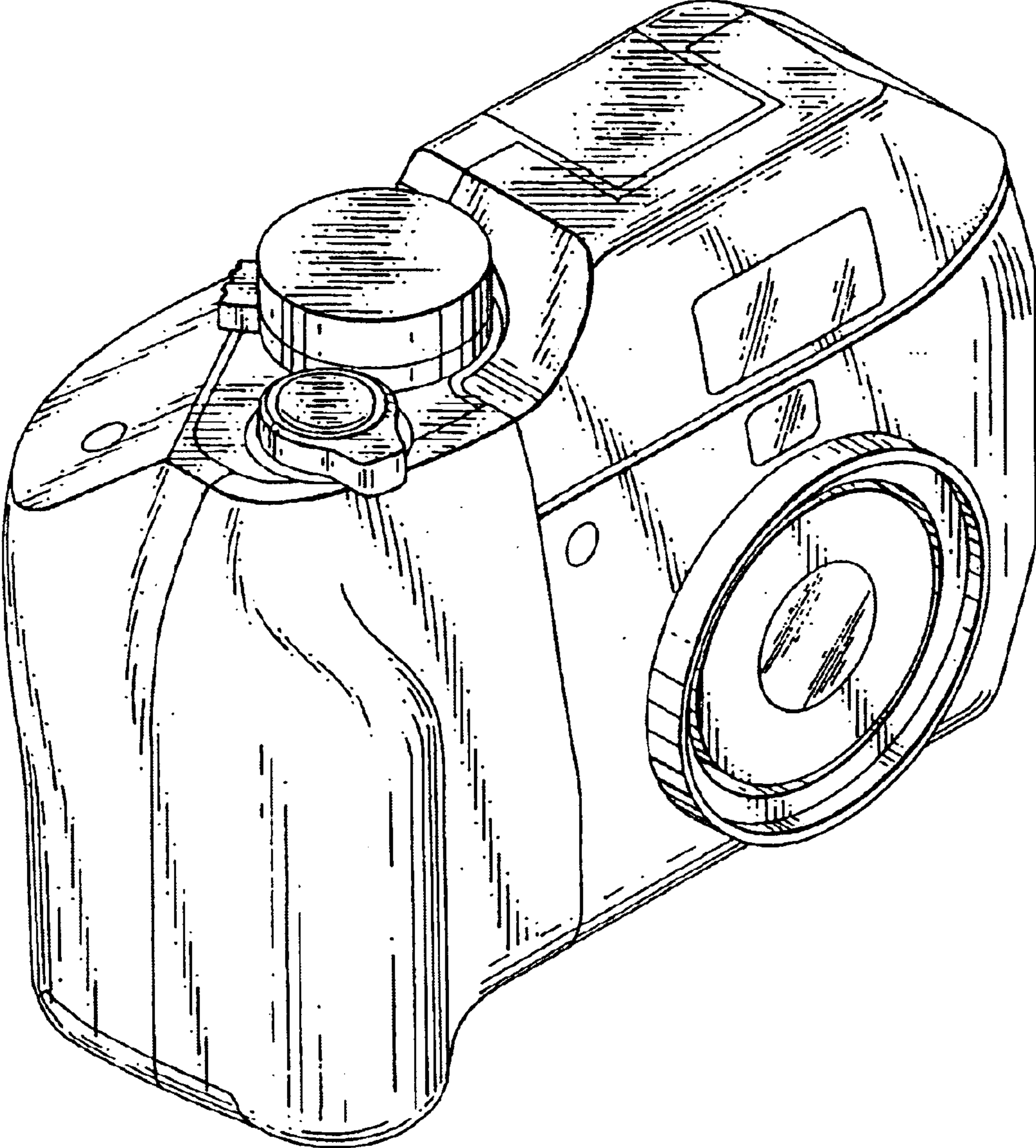


FIG.2

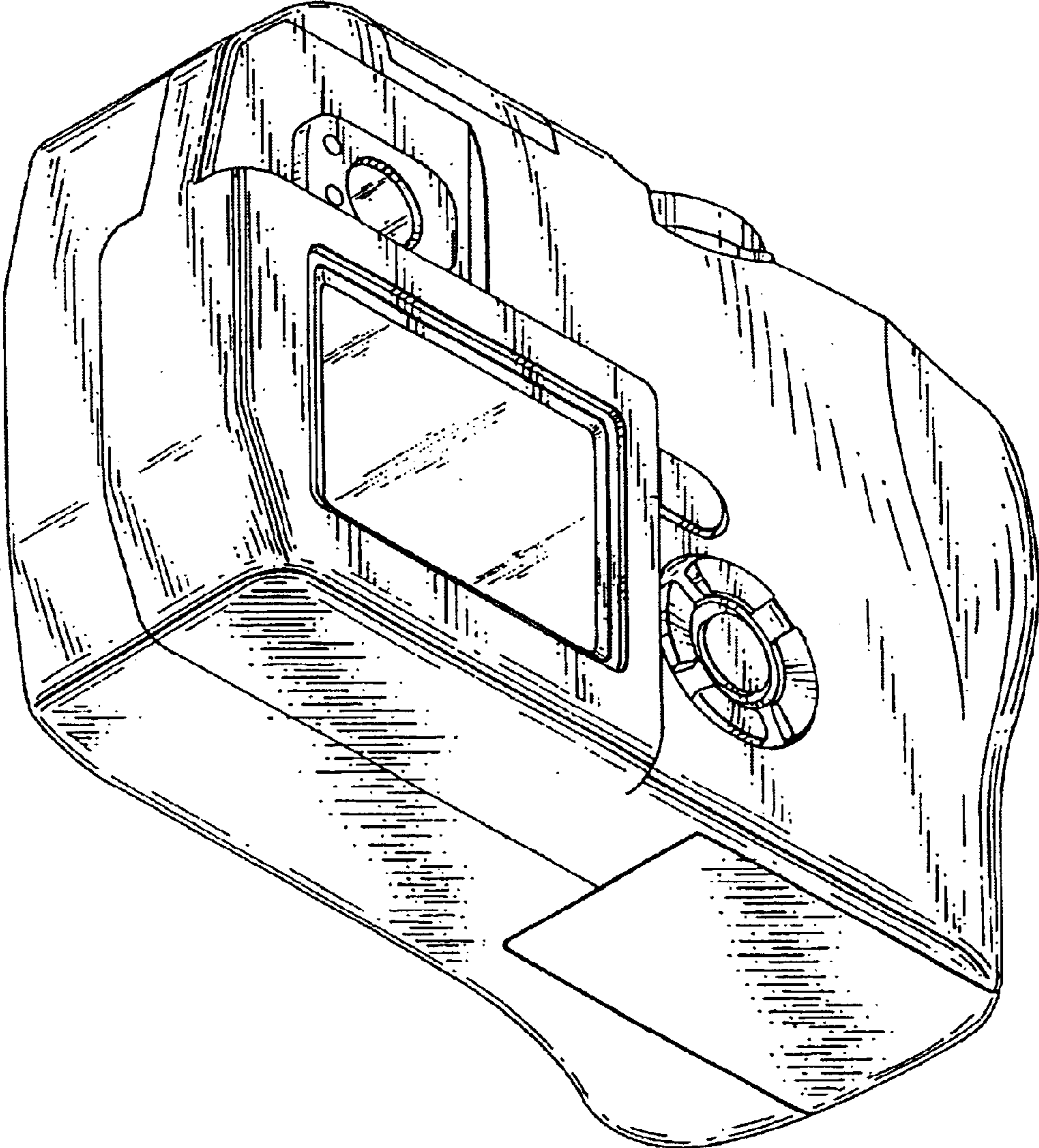


FIG.3

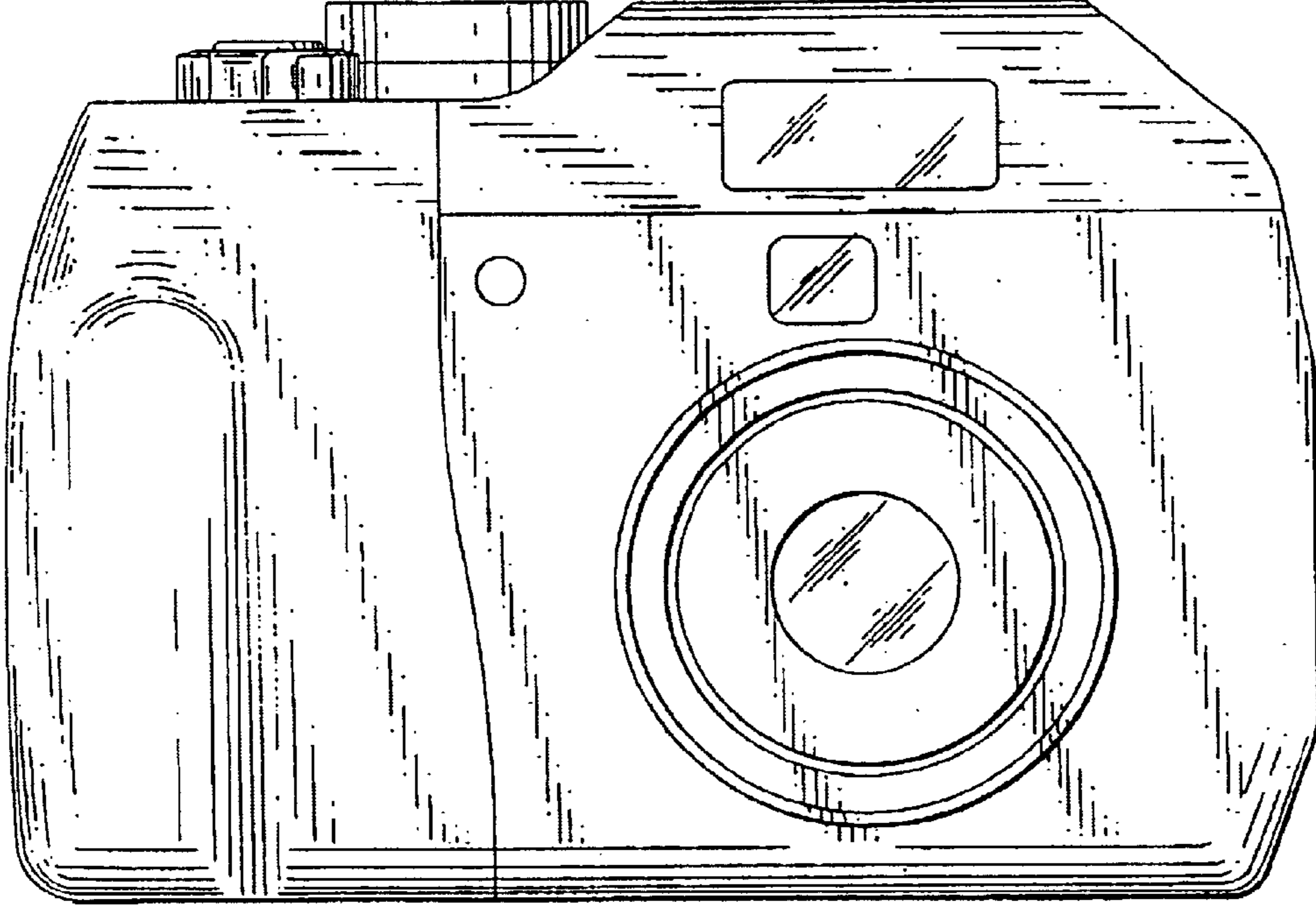


FIG.4

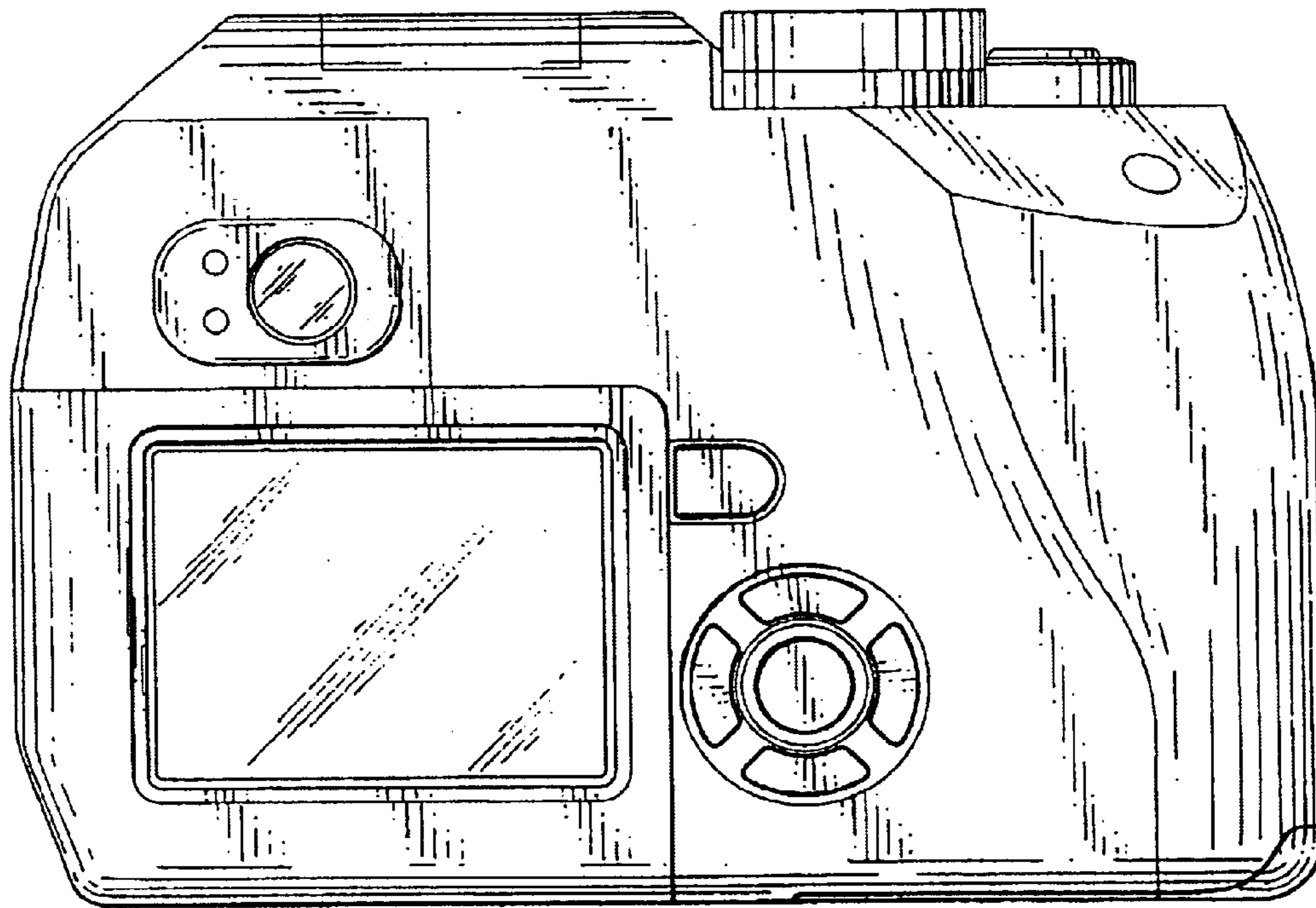


FIG.5

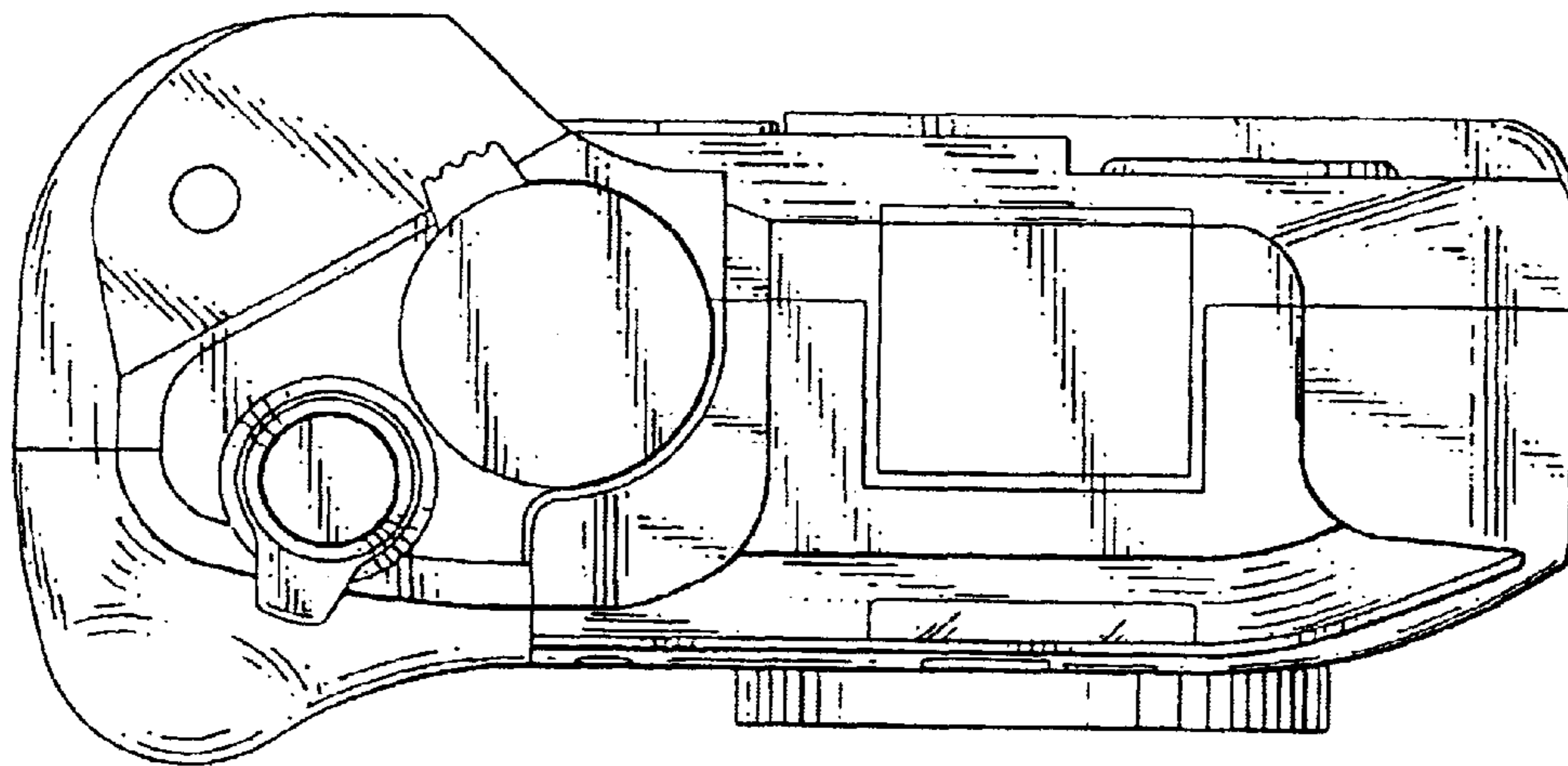


FIG.6

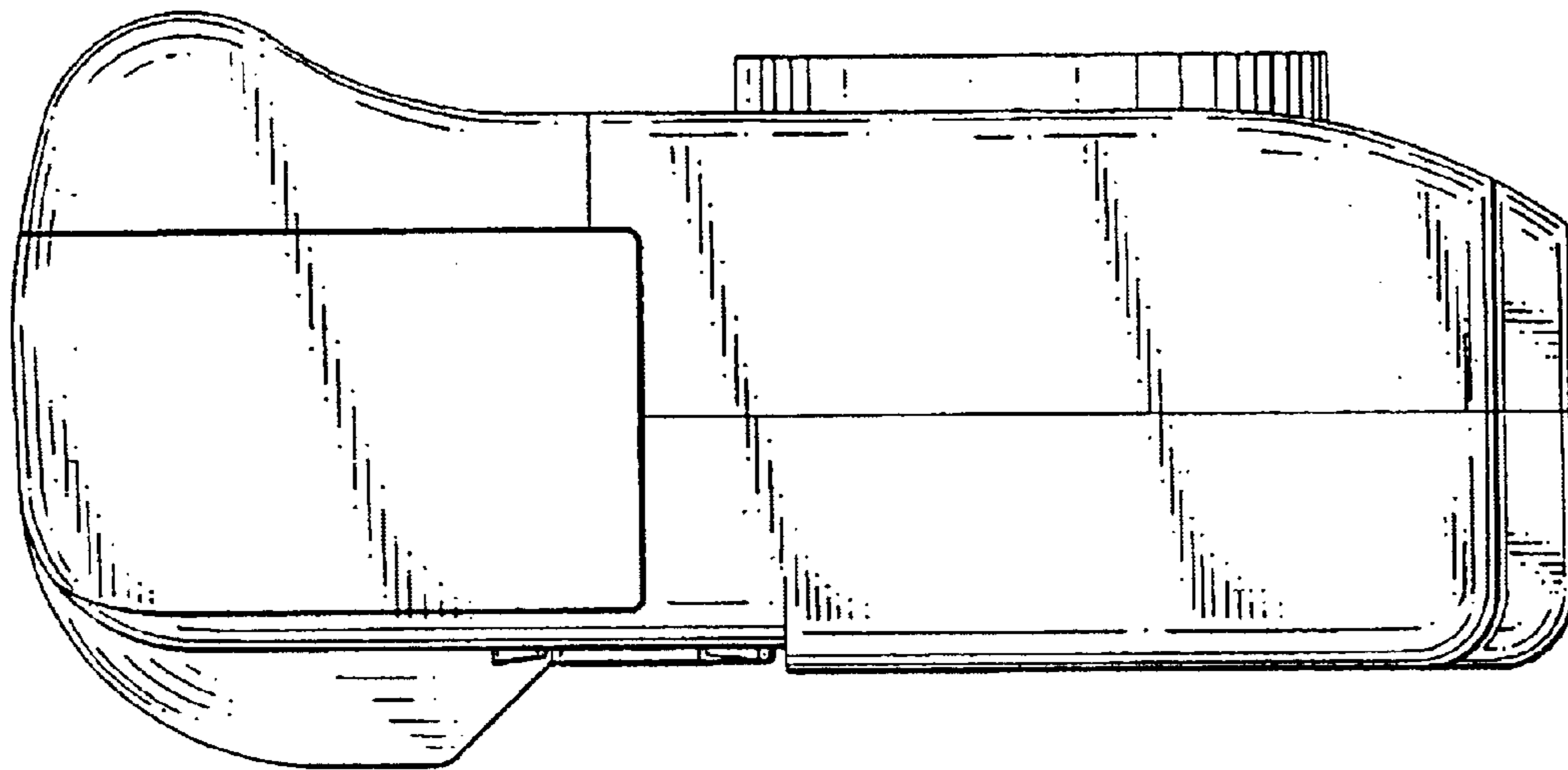


FIG.7

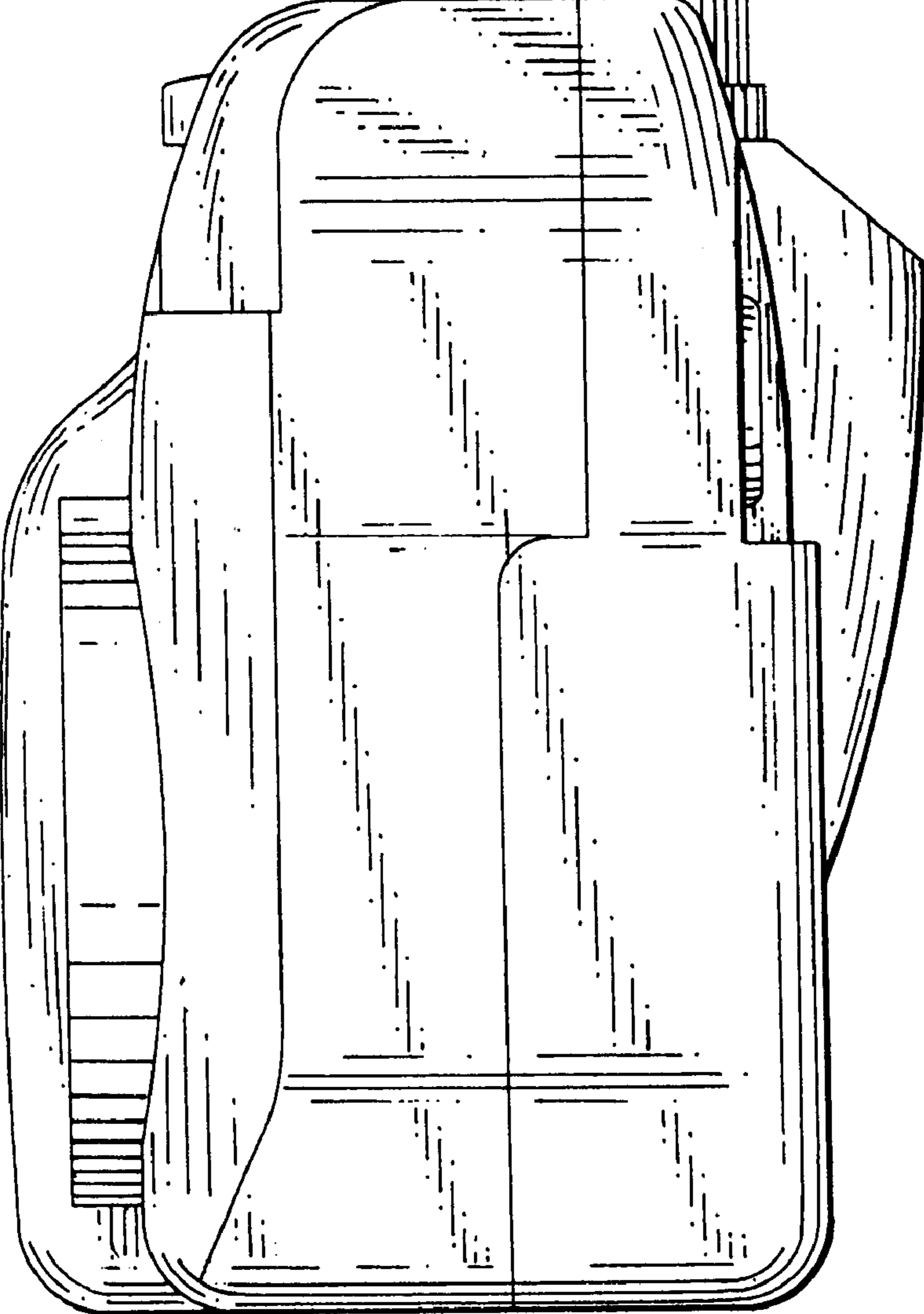


FIG.8

