



US00D515118S

(12) **United States Design Patent**
Larsson et al.

(10) **Patent No.: US D515,118 S**
(45) **Date of Patent: ** Feb. 14, 2006**

(54) **SIGHT WITH A LIGHT EMITTING DEVICE**

(75) Inventors: **Niklas Larsson, Akarp (SE); Kjell Gunnarsson, Hoor (SE)**

(73) Assignee: **GS Development, Malmo (SE)**

(**) Term: **14 Years**

(21) Appl. No.: **29/179,027**

(22) Filed: **Apr. 4, 2003**

(30) **Foreign Application Priority Data**

Oct. 4, 2002 (SE) 02-1444

(51) **LOC (8) Cl. 06-06**

(52) **U.S. Cl. D16/132**

(58) **Field of Classification Search** D16/130,
D16/132; 356/138, 252, 153; 359/350, 351,
359/353, 399, 407, 400, 404, 419, 420; D22/108,
D22/109, 199; 250/214 VT; 42/115, 117,
42/126, 127; 362/289

See application file for complete search history.

(56) **References Cited**

U.S. PATENT DOCUMENTS

4,313,273 A * 2/1982 Matthews et al. 42/117
4,738,044 A * 4/1988 Osterhout 42/115
D305,030 S * 12/1989 Fukushima D16/132

5,033,219 A * 7/1991 Johnson et al. 42/115
5,130,527 A * 7/1992 Gramer et al. 250/214 VT
D347,018 S * 5/1994 Jehn D16/132
D349,510 S * 8/1994 Tomita D16/132
D365,858 S * 1/1996 Tomita D22/109
D369,367 S * 4/1996 Tomita D16/132
D378,936 S * 4/1997 DePaoli D22/109
D427,275 S * 6/2000 Gilmore D22/109

FOREIGN PATENT DOCUMENTS

SE 02-0816 5/2002
SE 75365 11/2002

* cited by examiner

Primary Examiner—Paula A. Greene

(57) **CLAIM**

The ornamental design for a sight with a light emitting device, as shown.

DESCRIPTION

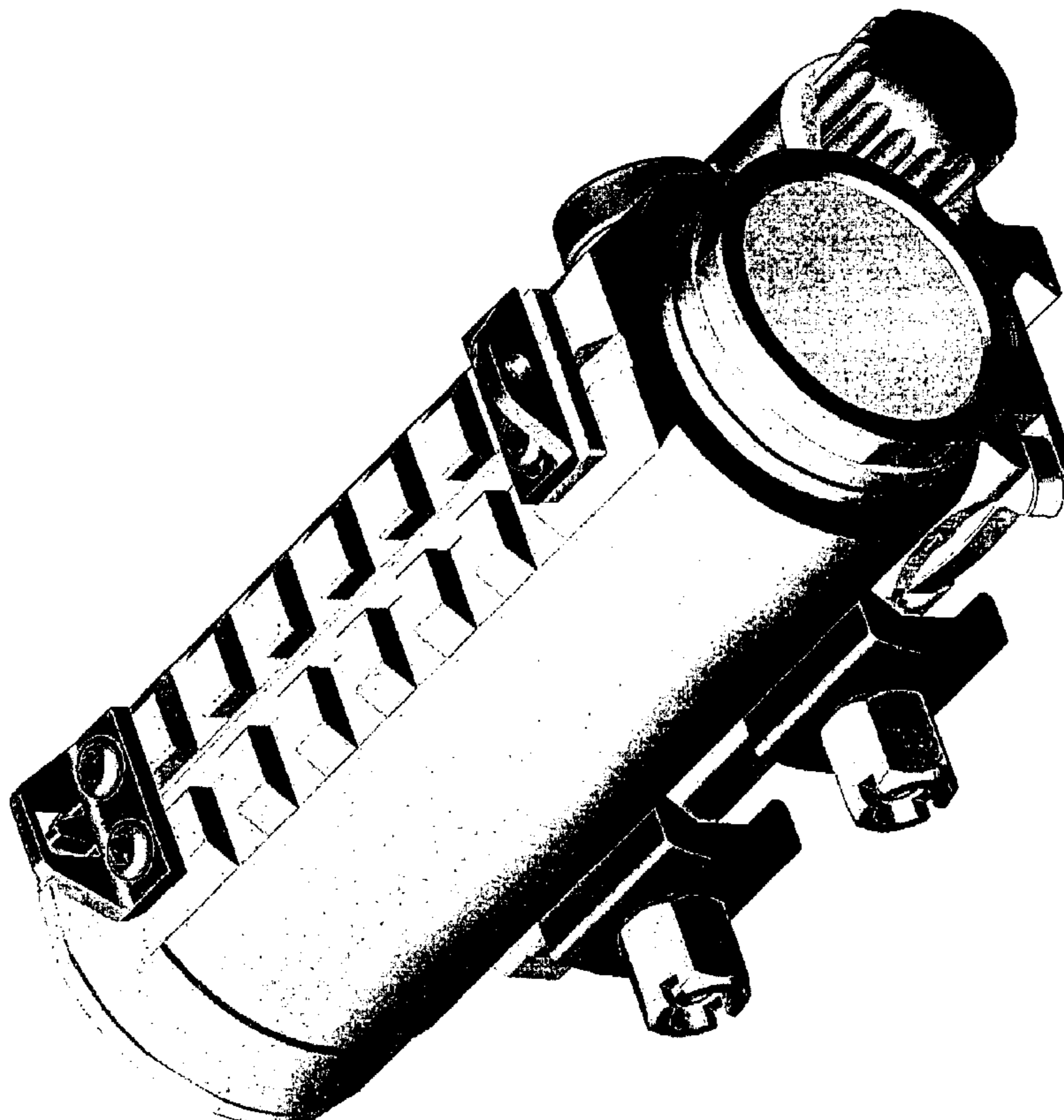
FIG. 1 is a top perspective view of one side thereof showing my design;

FIG. 2 is a side perspective view from one side thereof;

FIG. 3 is a side perspective view taken from the other side thereof; and,

FIG. 4 is a side perspective view thereof from below.

1 Claim, 4 Drawing Sheets



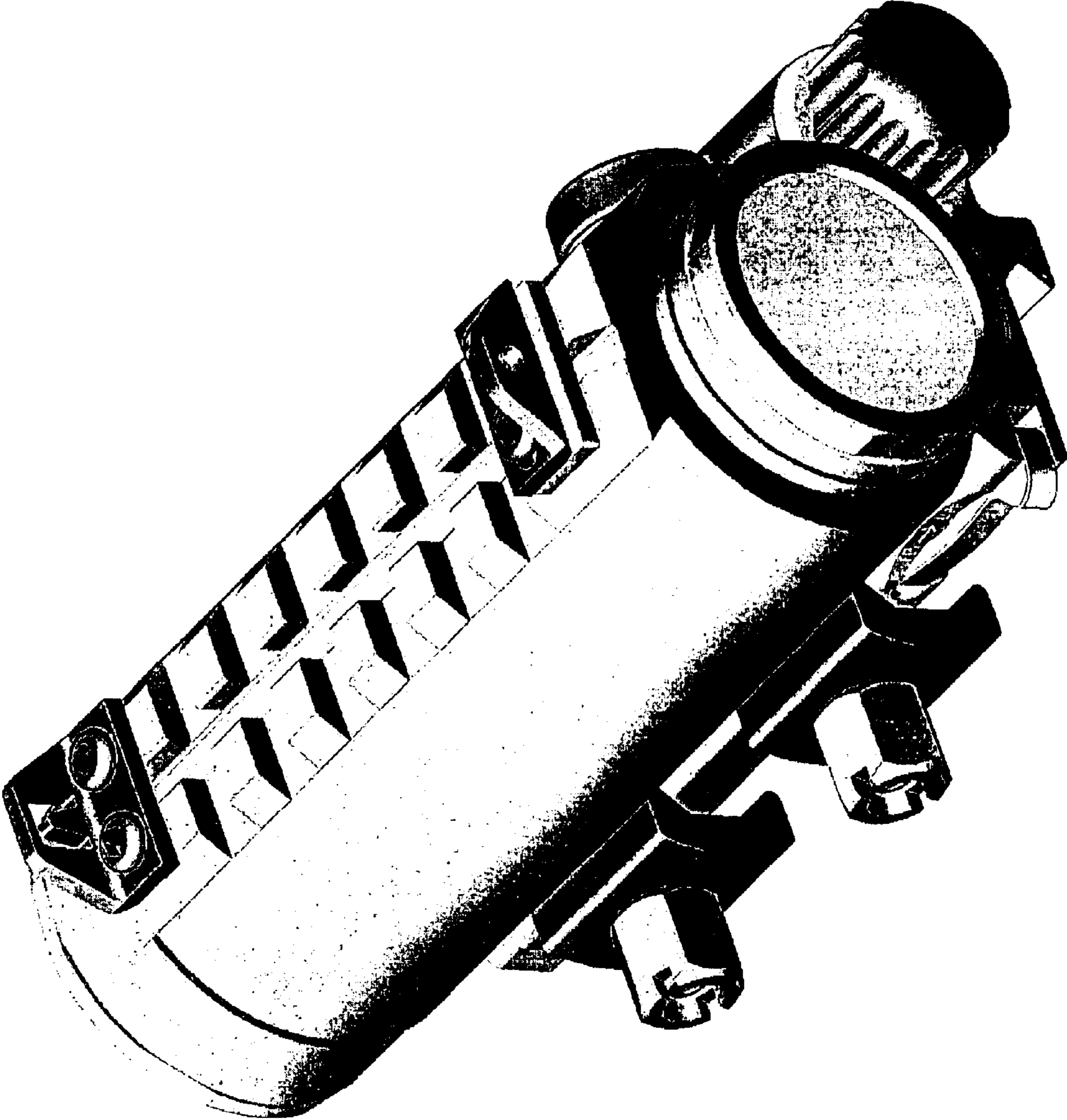


Fig. 1

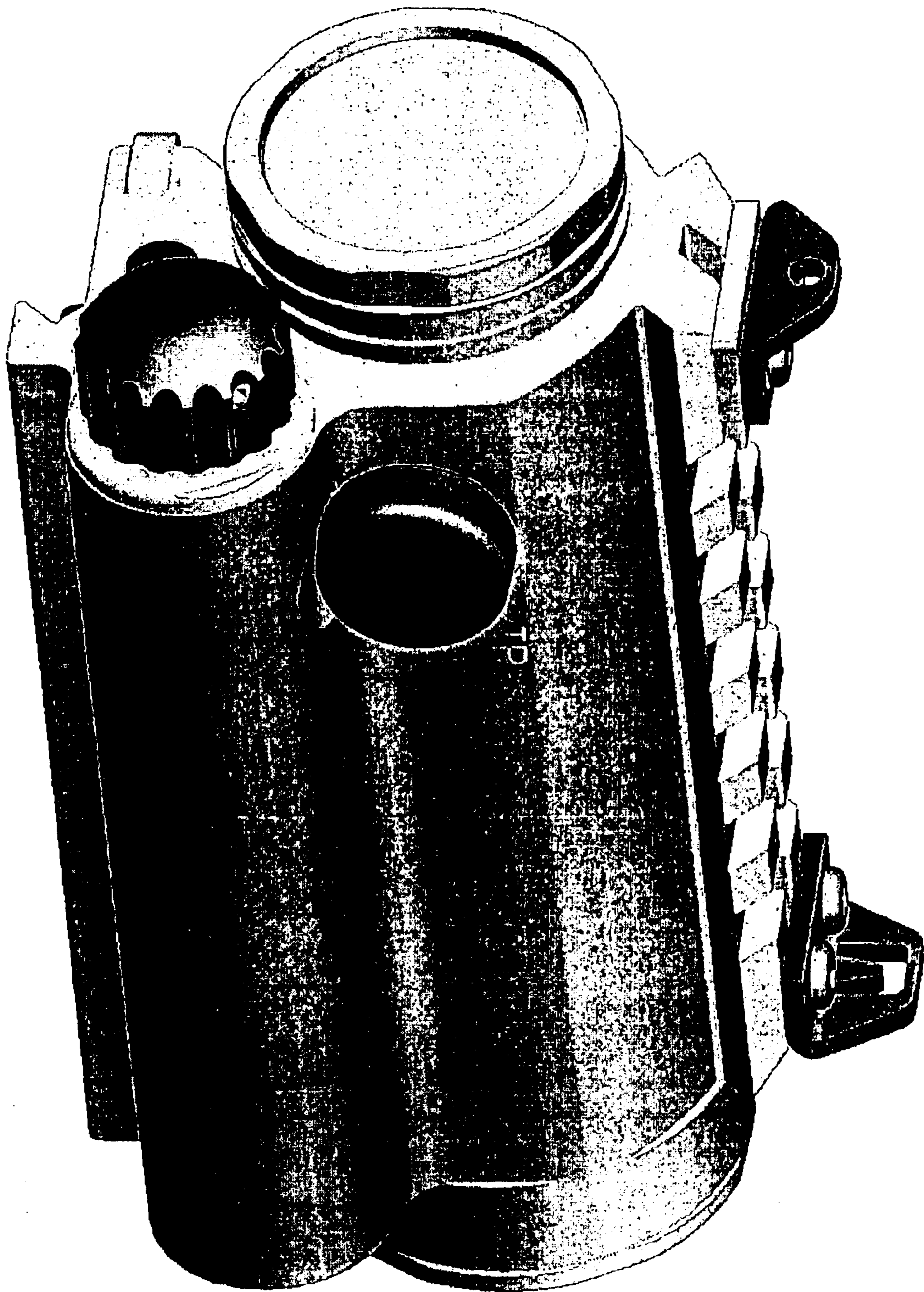


Fig. 2

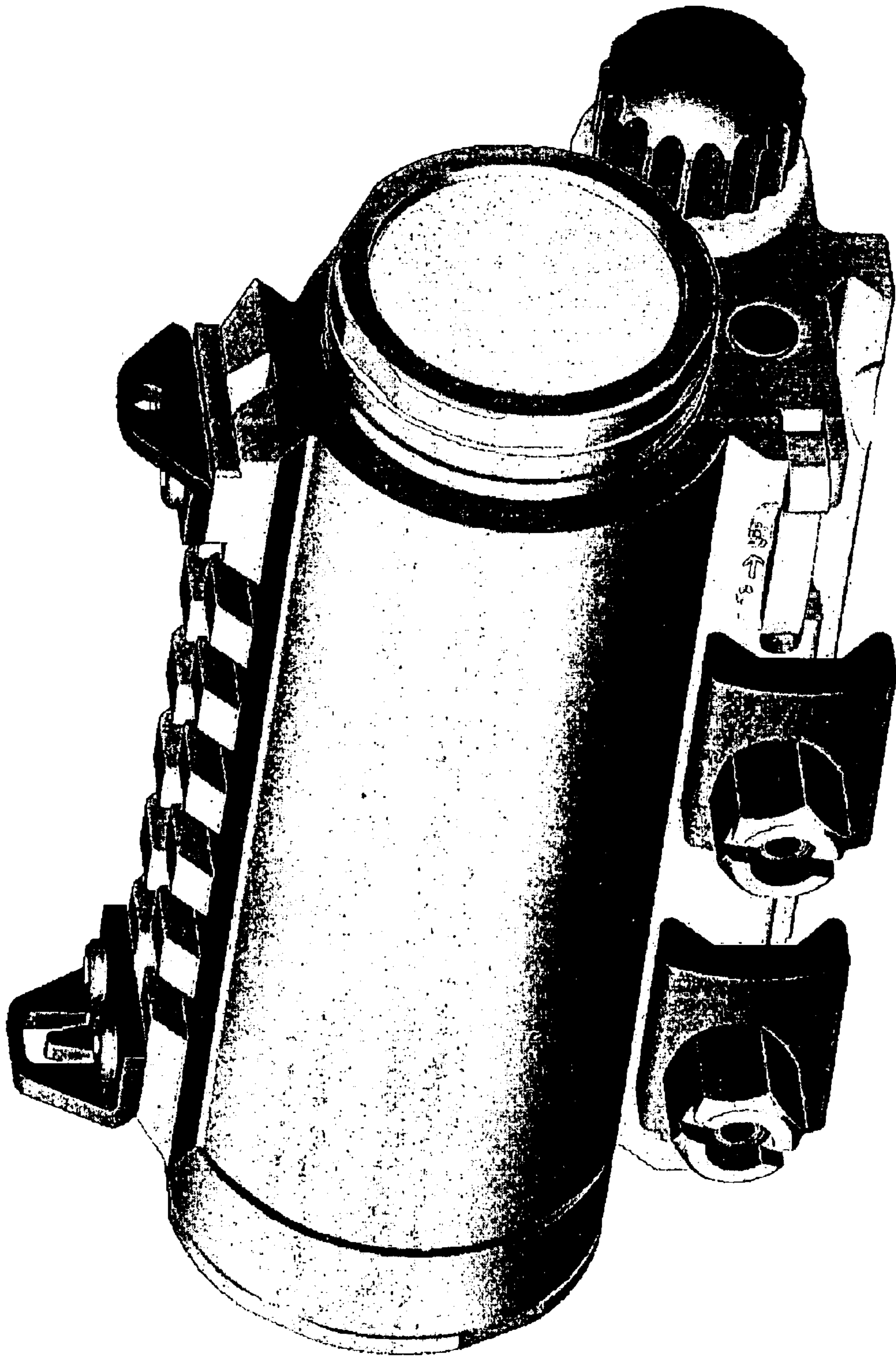


Fig. 3

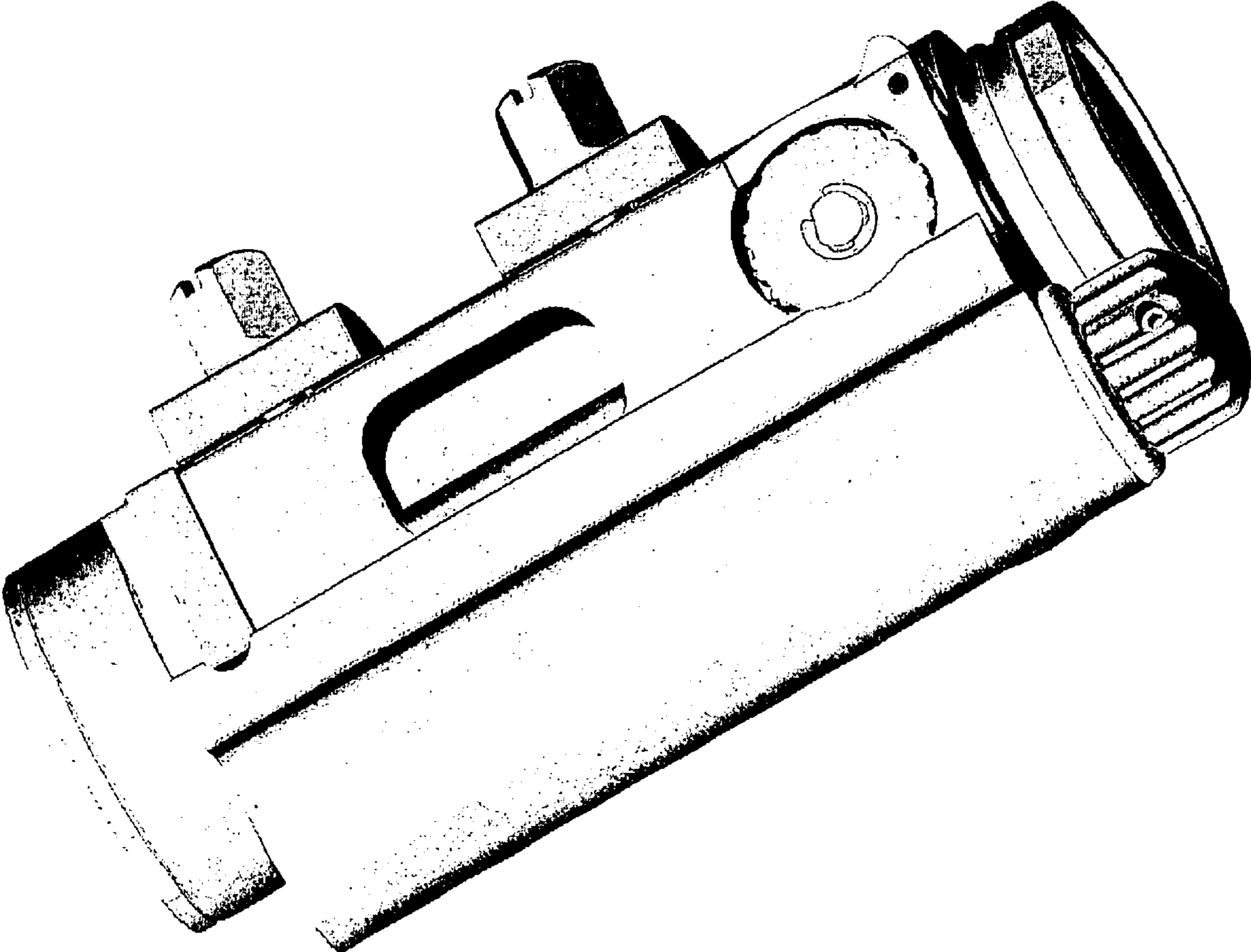


Fig. 4