



US00D515117S

(12) **United States Design Patent**
Verrier et al.

(10) **Patent No.:** **US D515,117 S**
(45) **Date of Patent:** **** Feb. 14, 2006**

- (54) **IMAGE INTENSIFYING VIEWER**
- (75) Inventors: **Gregoire Verrier**, Iselin, NJ (US);
Nicolas Vezard, Metuchen, NJ (US)
- (73) Assignee: **Jobin Yvon Inc.**, Edison, NJ (US)
- (**) Term: **14 Years**
- (21) Appl. No.: **29/164,768**
- (22) Filed: **Jul. 31, 2002**
- (51) **LOC (8) Cl.** **16-06**
- (52) **U.S. Cl.** **D16/132**
- (58) **Field of Classification Search** D16/130,
D16/132, 135, 200–203, 208, 221, 225, 231;
D22/108, 109; 359/350, 351, 353, 399, 400,
359/419, 420; 235/462.39, 454; 250/372,
250/568; 396/374, 535, 536, 537, 538, 539,
396/540, 541; 345/169; 348/373, 374, 375,
348/376; 358/906

See application file for complete search history.

(56) **References Cited**

U.S. PATENT DOCUMENTS

- 4,115,703 A * 9/1978 Dobras 250/568
- 4,841,129 A * 6/1989 Tawara et al. 235/462.39
- D424,081 S * 5/2000 Gordon D16/130
- D439,259 S * 3/2001 Yamaguchi D16/132

- D464,070 S * 10/2002 Miyashita D16/202
- 6,597,346 B1 * 7/2003 Havey et al. 345/169

* cited by examiner

Primary Examiner—Paula A. Greene
(74) *Attorney, Agent, or Firm*—Kirkpatrick & Lockhart
Nicholson Graham LLP; Anthony H. Handal

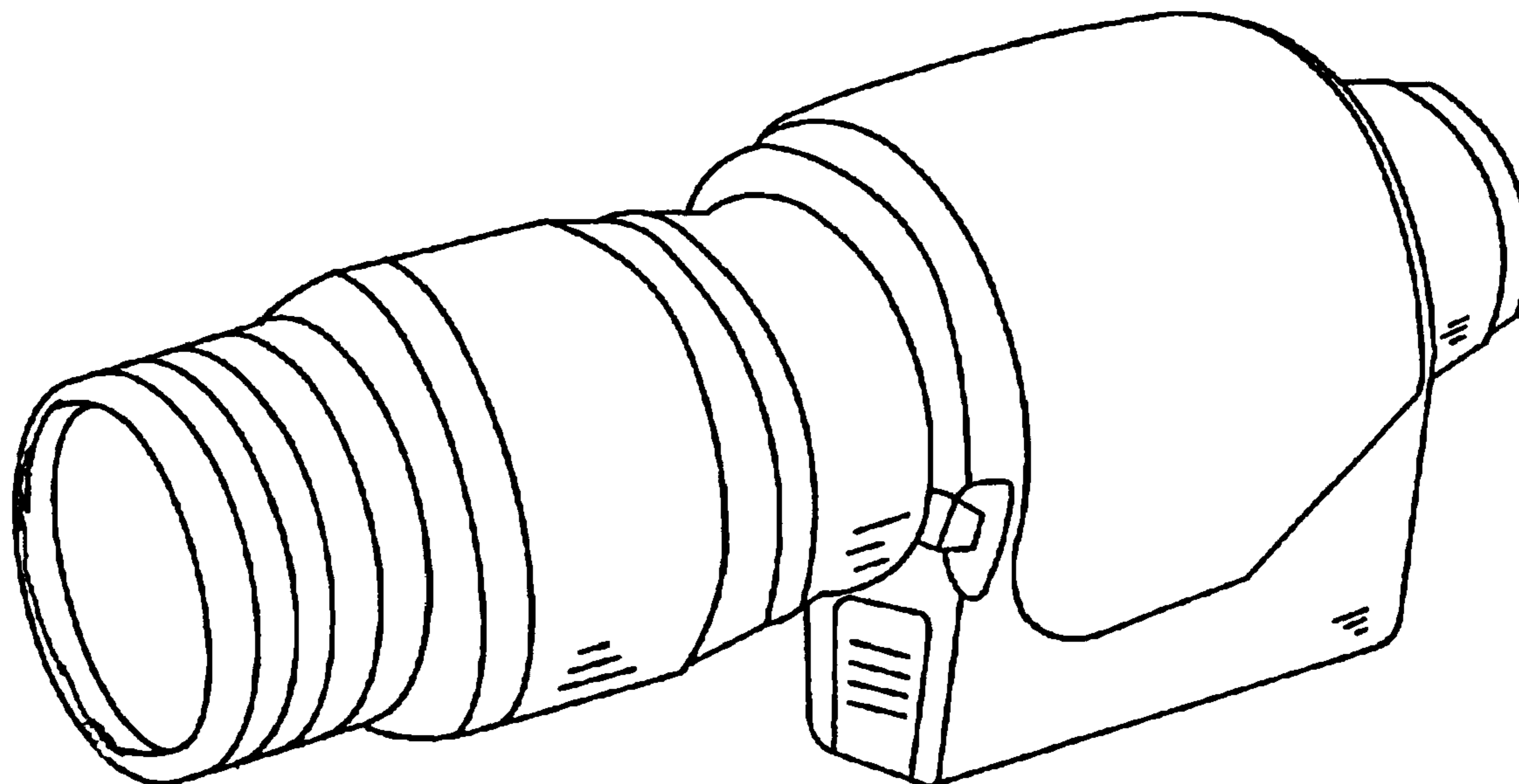
(57) **CLAIM**

The ornamental design for an image intensifying viewer,
substantially as shown and described.

DESCRIPTION

FIG. 1 is a front perspective view showing the embodiment of our design for an image intensifying viewer;
FIG. 2 is a rear elevational of the embodiment illustrated in FIG. 1;
FIG. 3 is a front elevational of the embodiment illustrated in FIG. 1;
FIG. 4 is a left elevational view of the embodiment illustrated in FIG. 1
FIG. 5 is a right elevational view of the embodiment illustrated in FIG. 1;
FIG. 6 is a top plan view of the embodiment illustrated in FIG. 1; and,
FIG. 7 is a bottom plan view of the embodiment illustrated in FIG. 1.

1 Claim, 6 Drawing Sheets



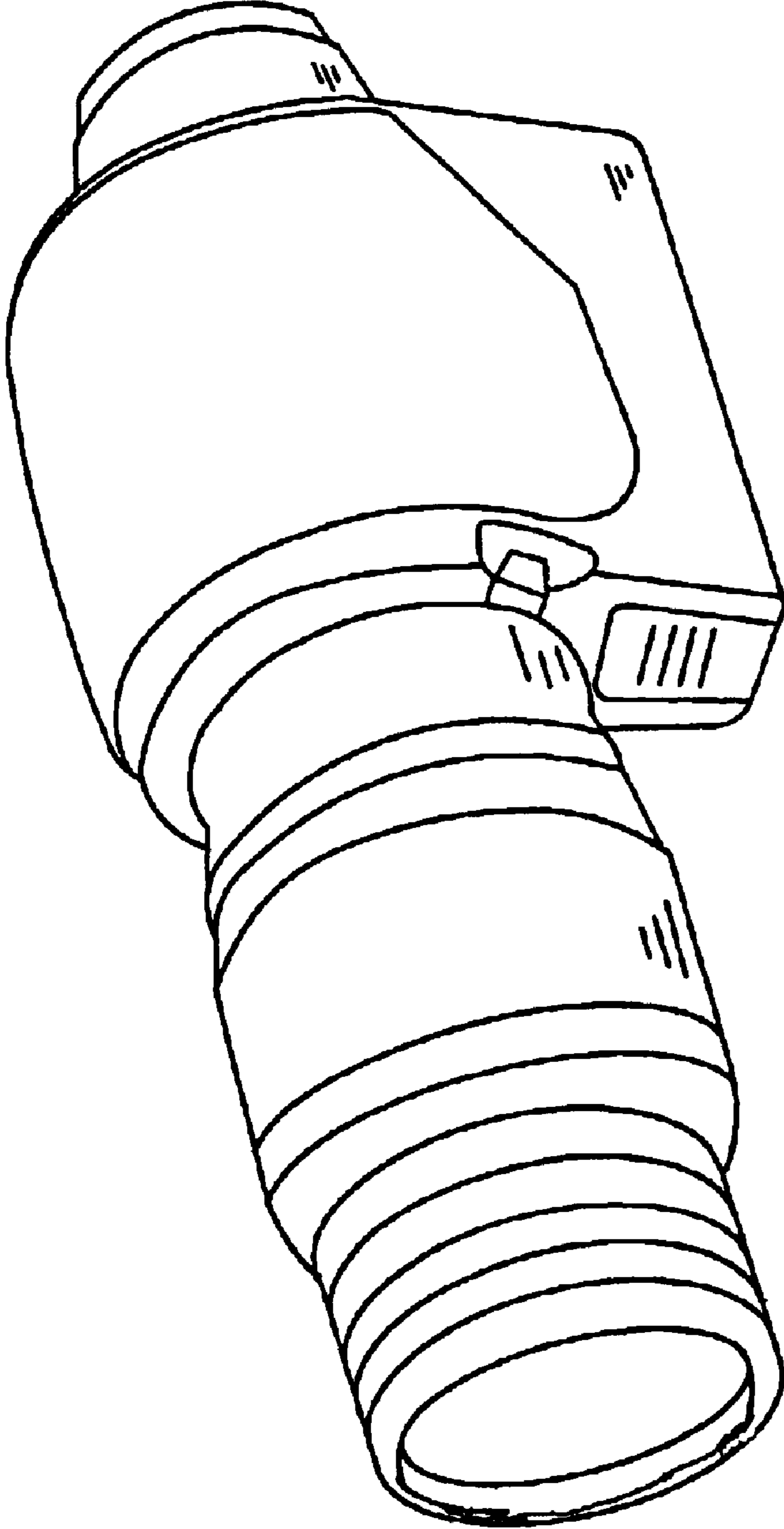


Figure 1

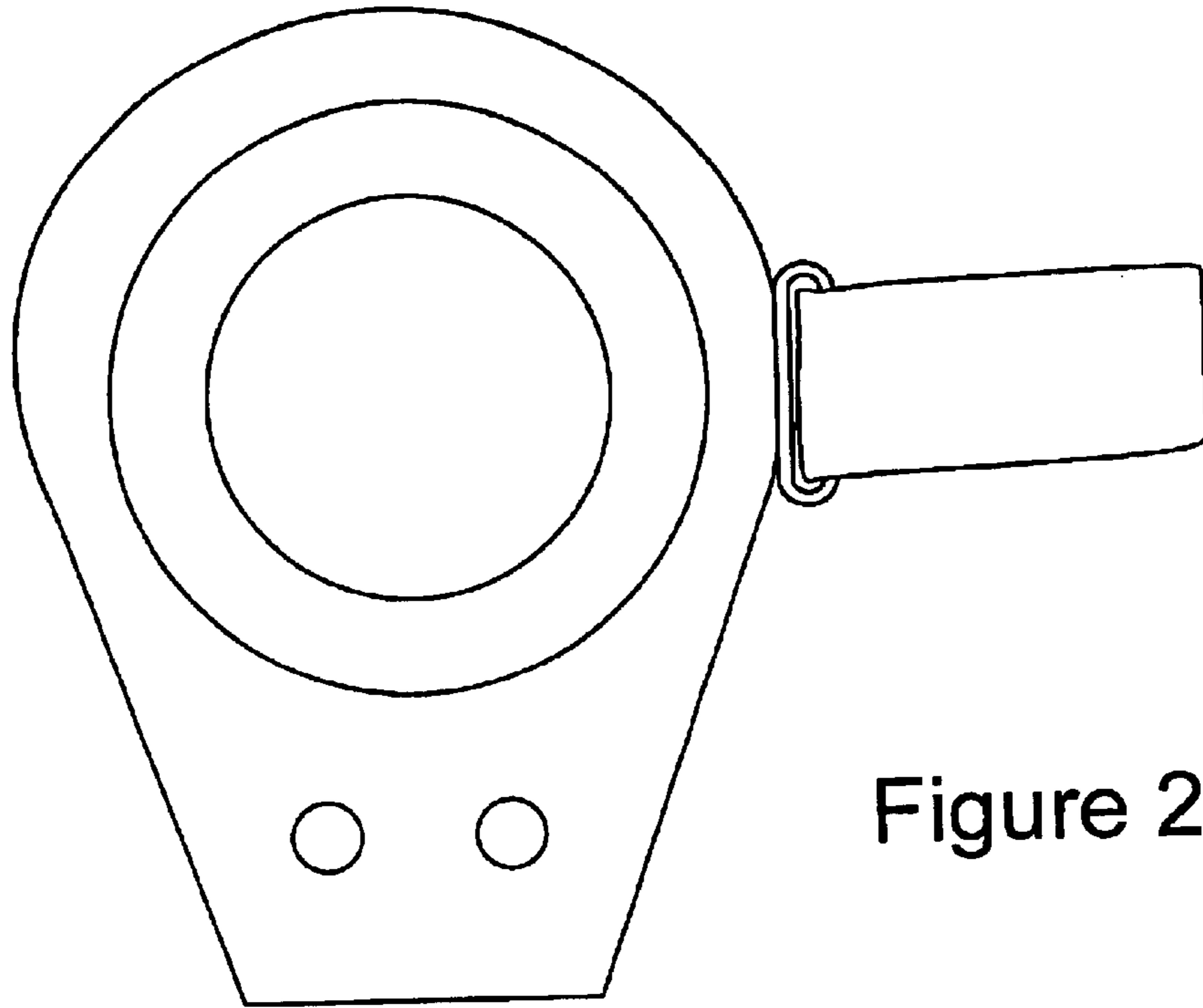


Figure 2

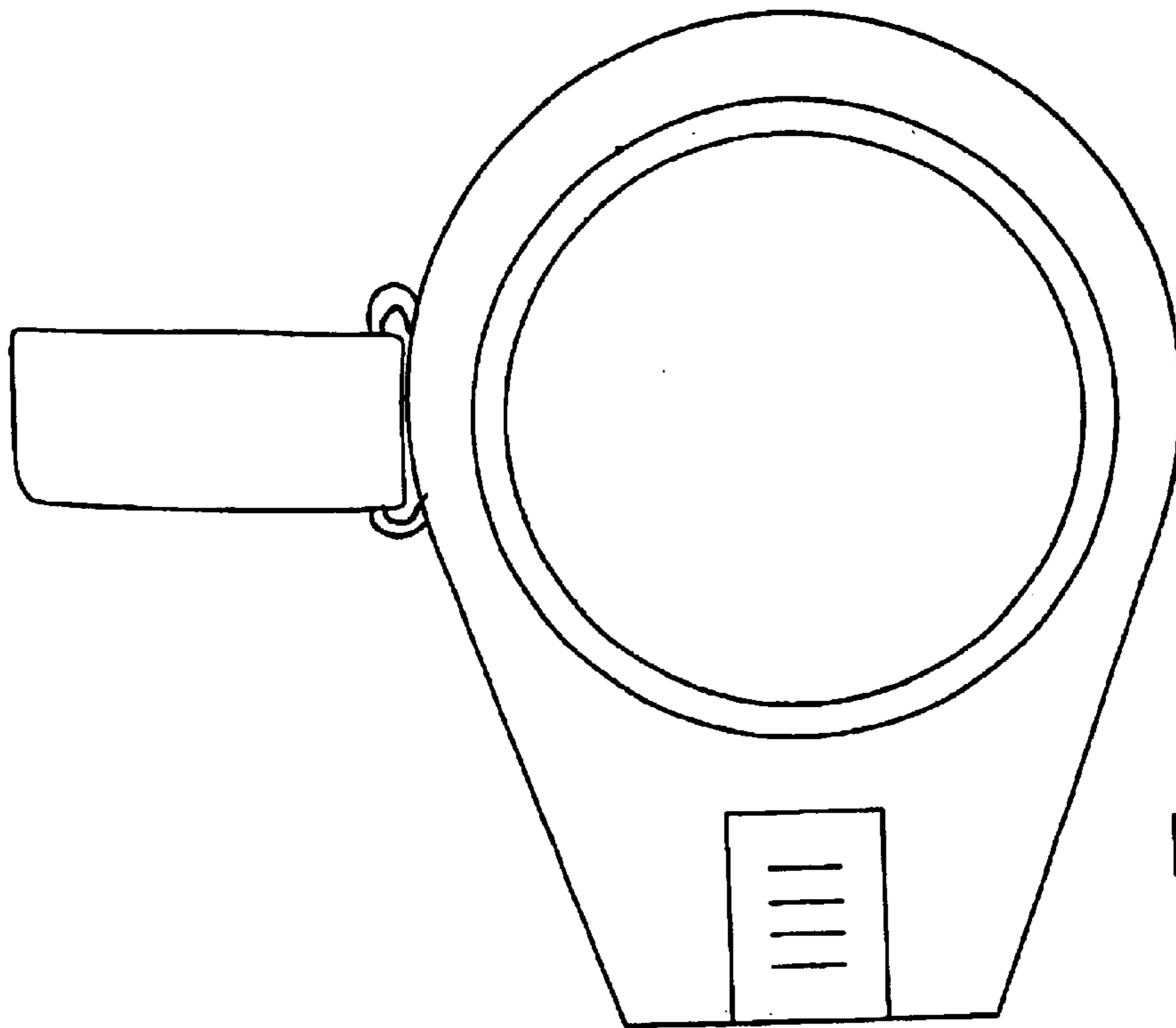


Figure 3

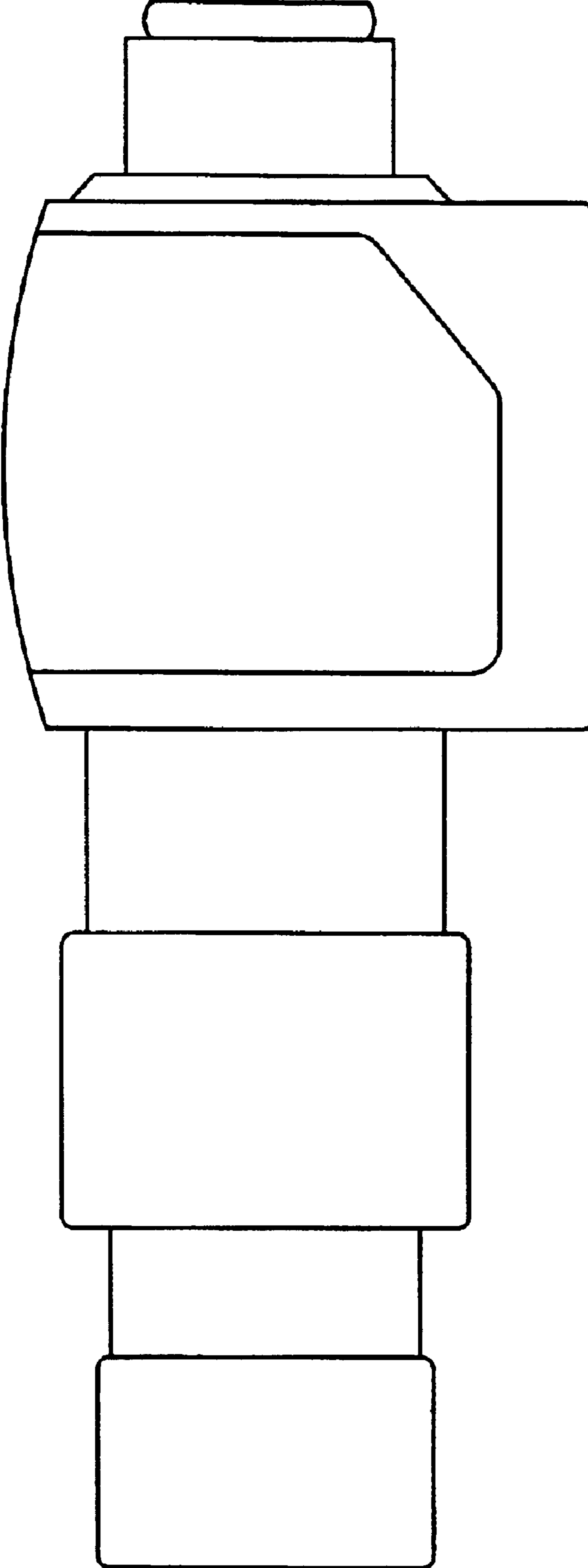


Figure 4

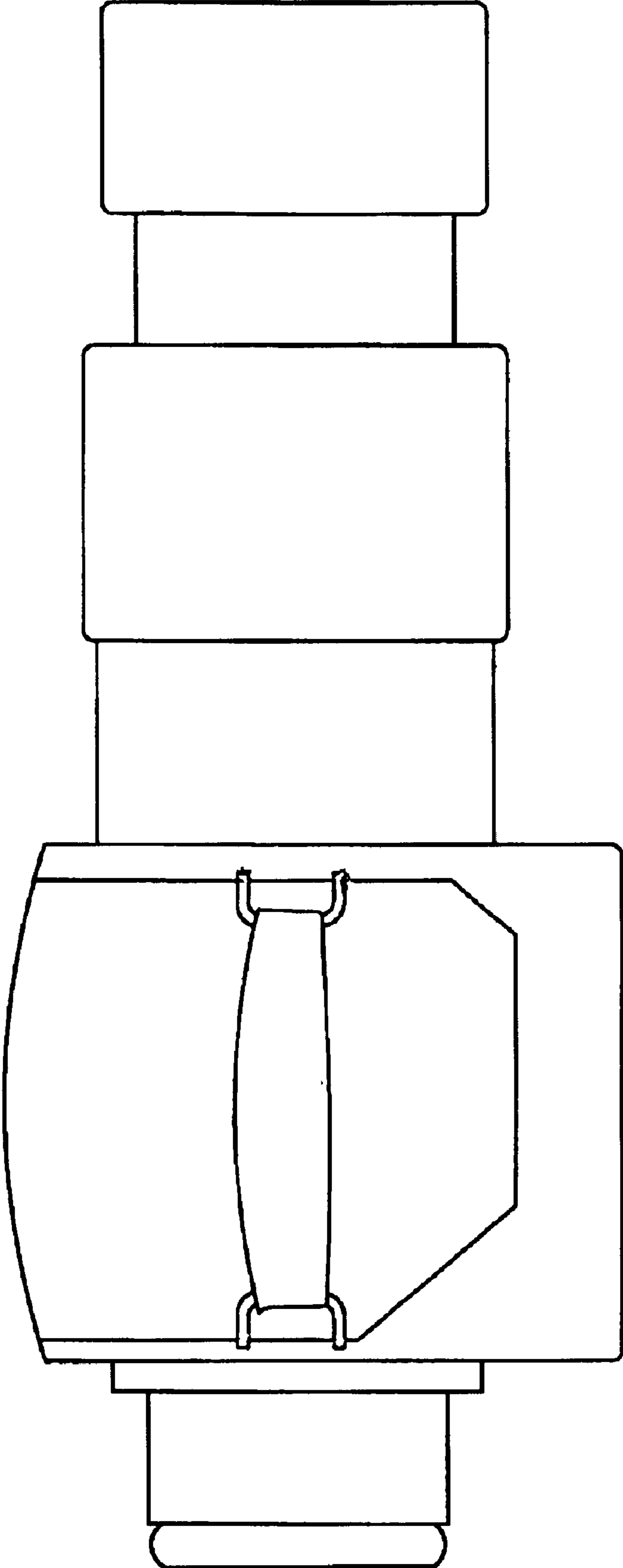


Figure 5

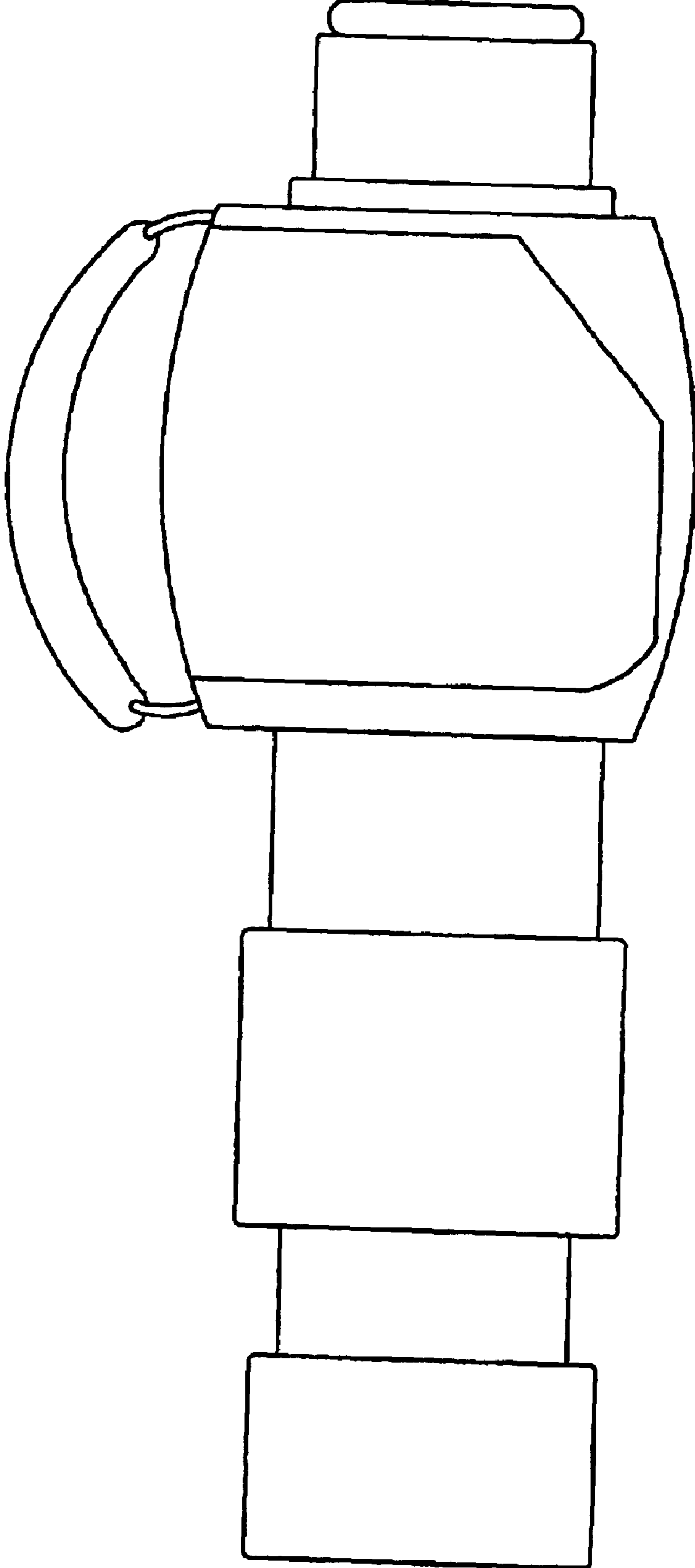


Figure 6

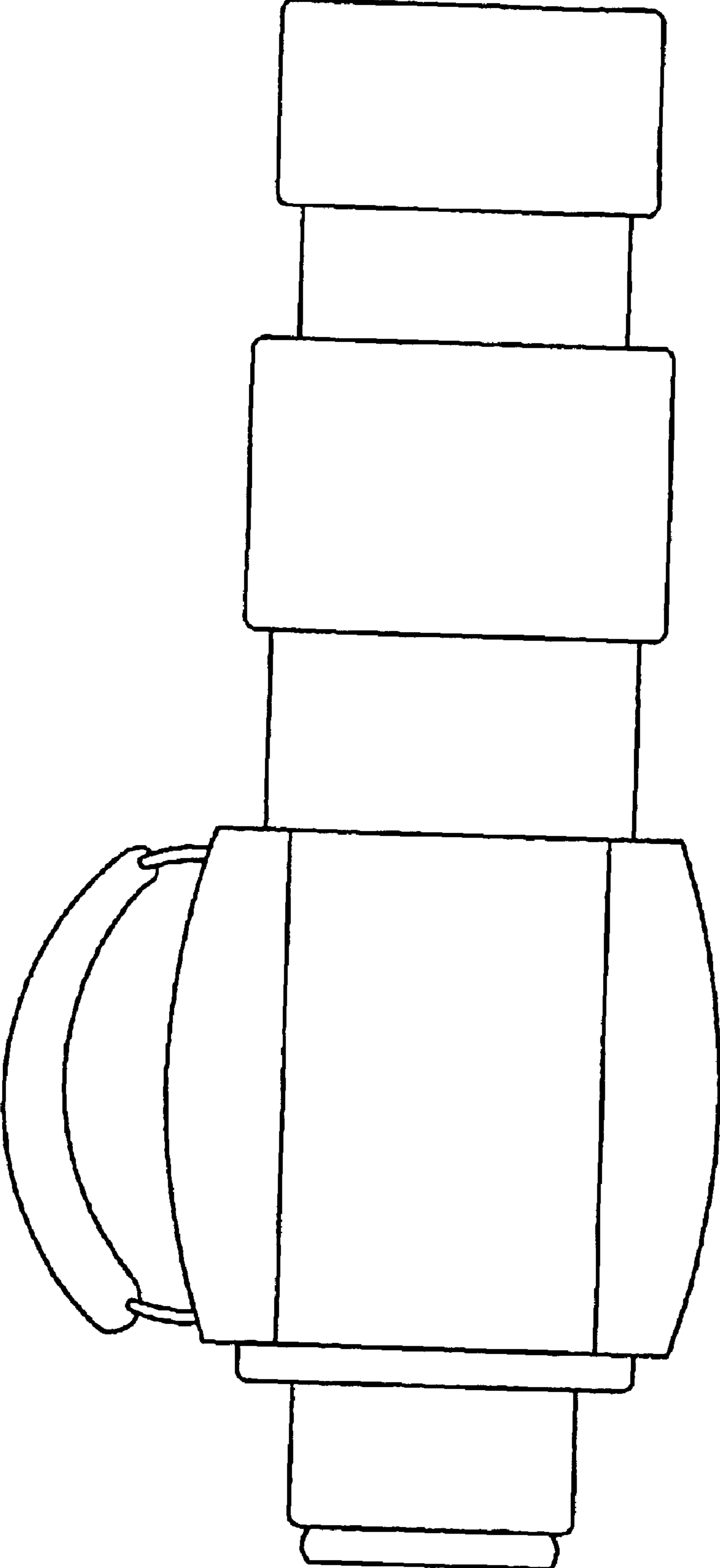


Figure 7