



US00D515114S

(12) **United States Design Patent**
Grobleben

(10) **Patent No.:** **US D515,114 S**

(45) **Date of Patent:** **** Feb. 14, 2006**

(54) **MULTI-COMPARTMENT STORAGE TRAY
FOR A REFRIGERATOR**

D160,744 S * 10/1950 Rizzuto D3/313
3,200,983 A * 8/1965 Walter 220/533
4,729,613 A * 3/1988 Tromble et al. 312/270.3
5,215,205 A * 6/1993 Behlman 220/4.31

(75) Inventor: **Ralf Grobleben**, Bretten (DE)

* cited by examiner

(73) Assignee: **BSH Bosch und Siemens Hausgeraete
GmbH**, Munich (DE)

Primary Examiner—Nanda Bondade
Assistant Examiner—Shanda C. Hill

(**) Term: **14 Years**

(74) *Attorney, Agent, or Firm*—John T. Winburn; Rusell W.
Warnock; Craig J. Loest

(21) Appl. No.: **29/207,102**

(22) Filed: **Jun. 7, 2004**

(57) **CLAIM**

(30) **Foreign Application Priority Data**

The ornamental design for a multi-compartment storage tray
for a refrigerator, as shown and described.

Dec. 5, 2003 (EM) 117197

DESCRIPTION

(51) **LOC (8) Cl.** **15-07**

FIG. 1 is a left-side, front, top perspective view of a
multi-compartment storage tray for a refrigerator, showing
my new design;

(52) **U.S. Cl.** **D15/89**

FIG. 2 is a front elevational view thereof;

(58) **Field of Classification Search** D15/79,
D15/81, 85-87, 89; 62/440-449, 457, 246-255,
62/337, 3.6; 312/116, 247, 270.3, 319, 401;
220/592.01, 592.02, 592.04, 4.31, 533
See application file for complete search history.

FIG. 3 is a top plan view thereof;

FIG. 4 is a right-side elevational view thereof; and,

FIG. 5 is a left-side elevational view thereof.

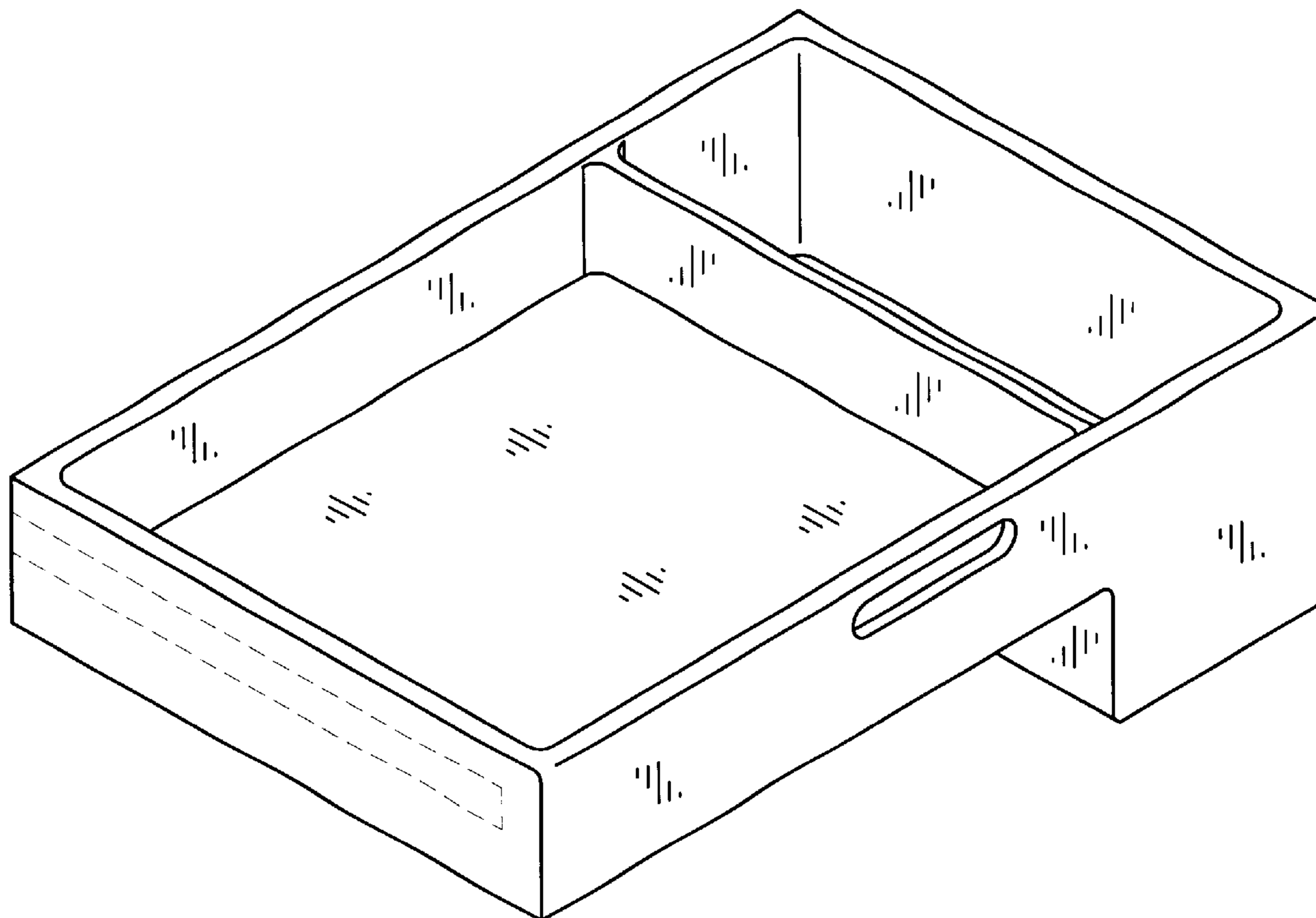
The broken lines shown in FIGS. 1, 4 and 5 are for
illustrative purposes only and form no part of the claimed
design.

(56) **References Cited**

U.S. PATENT DOCUMENTS

D106,419 S * 10/1937 Barber D15/89

1 Claim, 2 Drawing Sheets



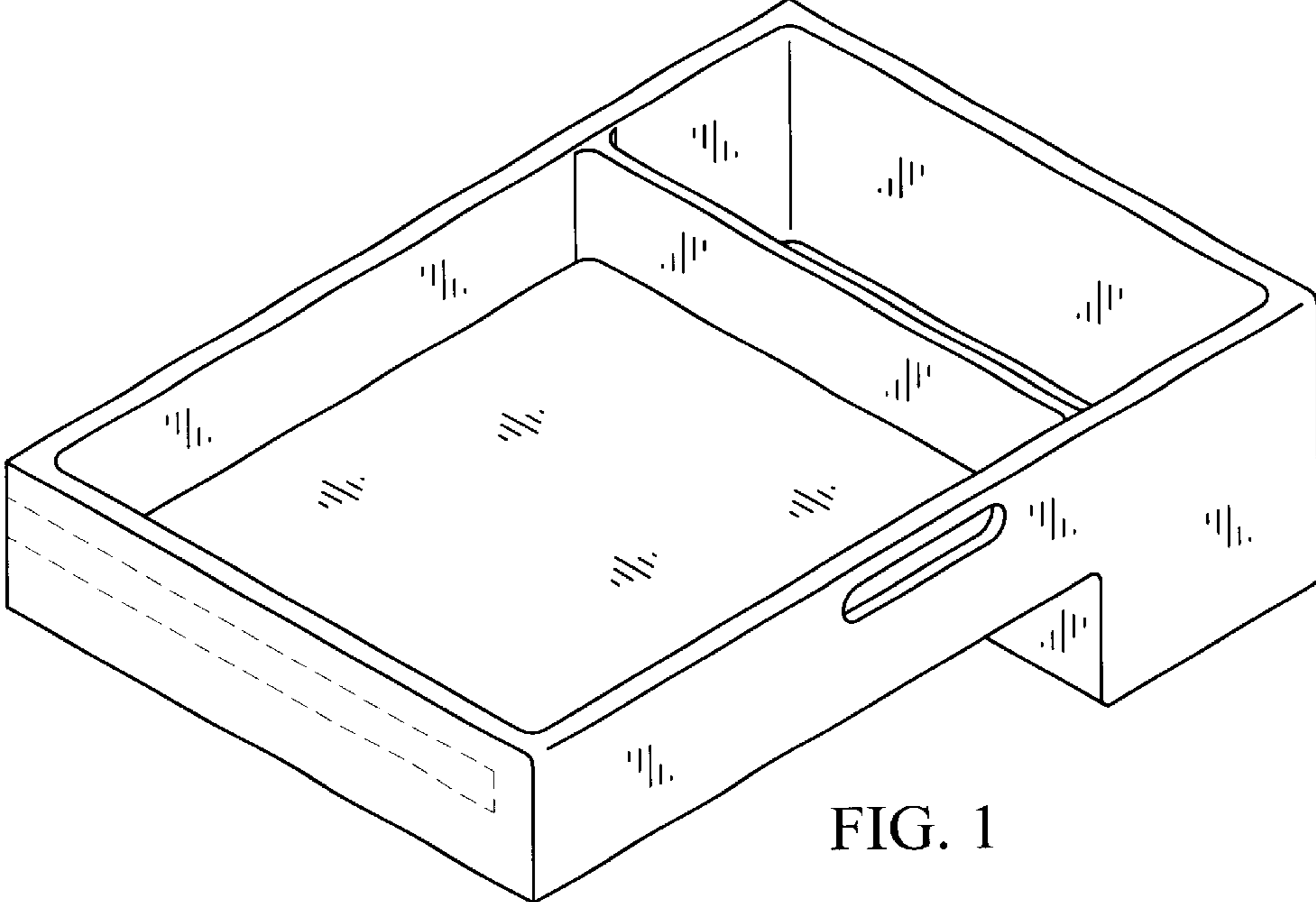


FIG. 1

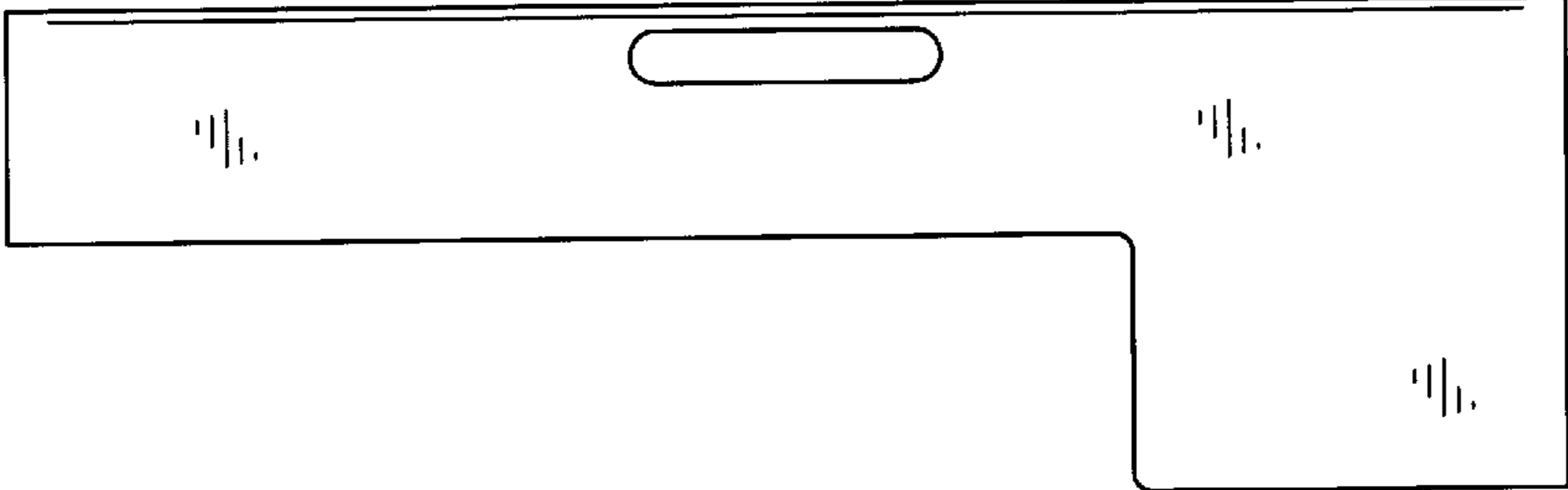


FIG. 2

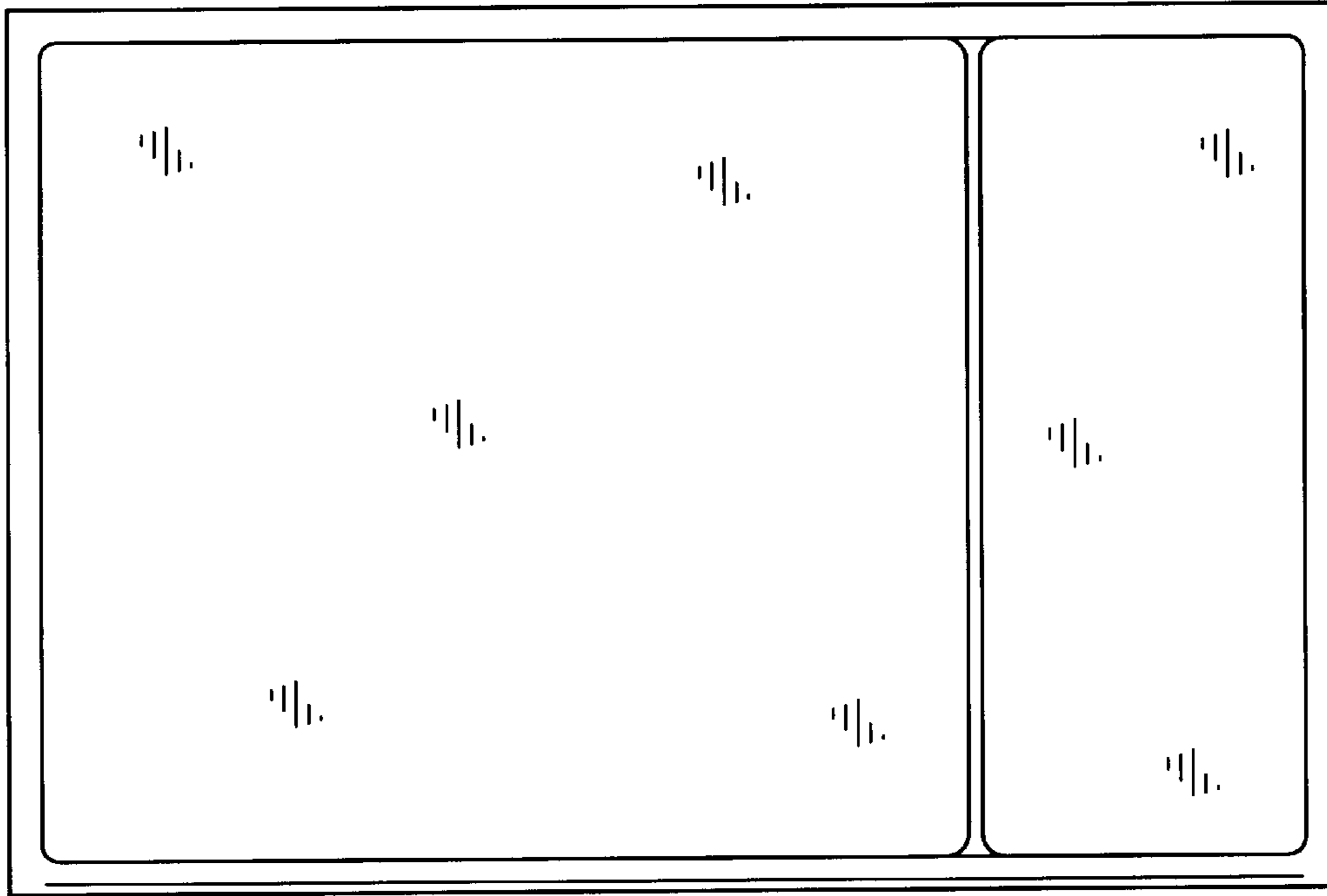


FIG. 3

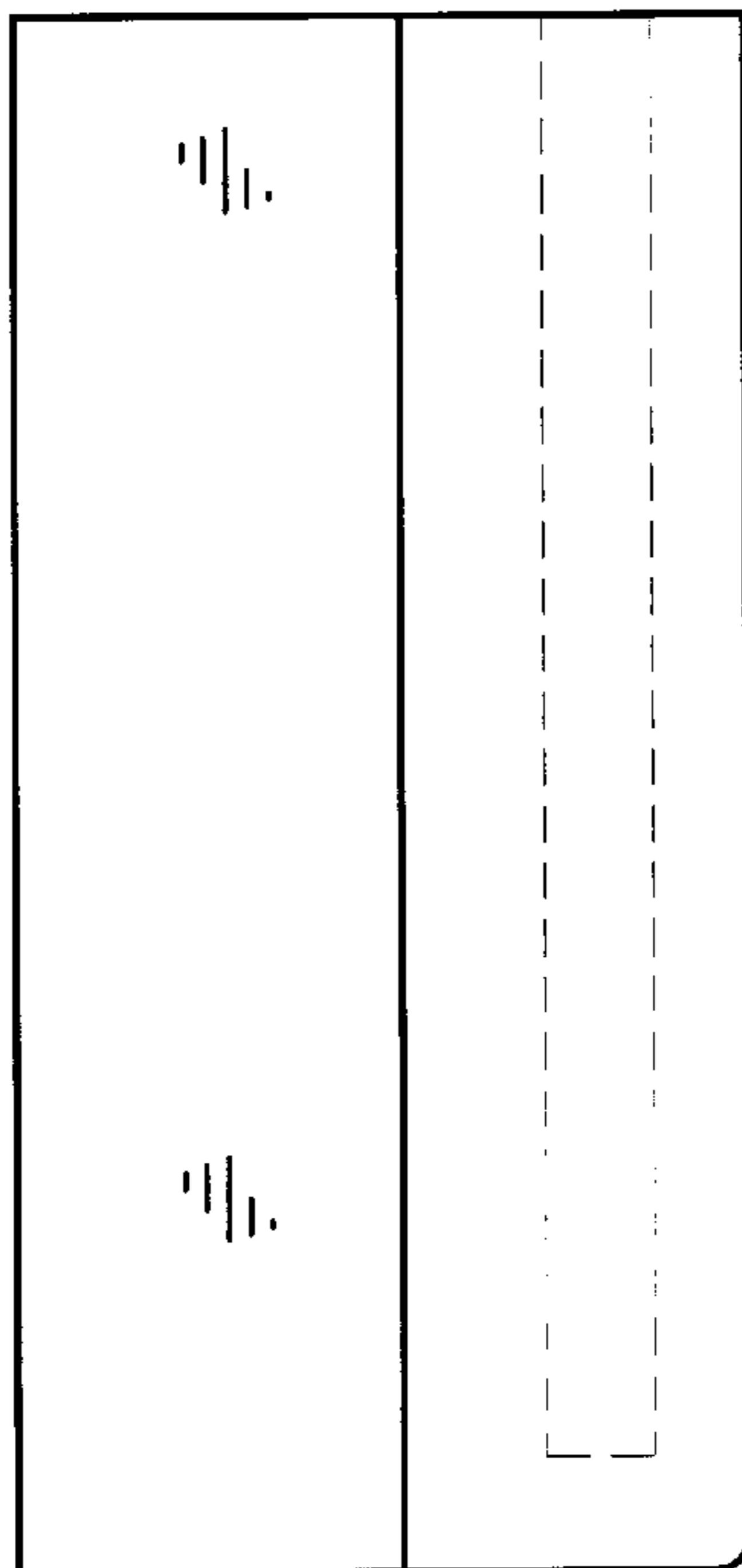


FIG. 4

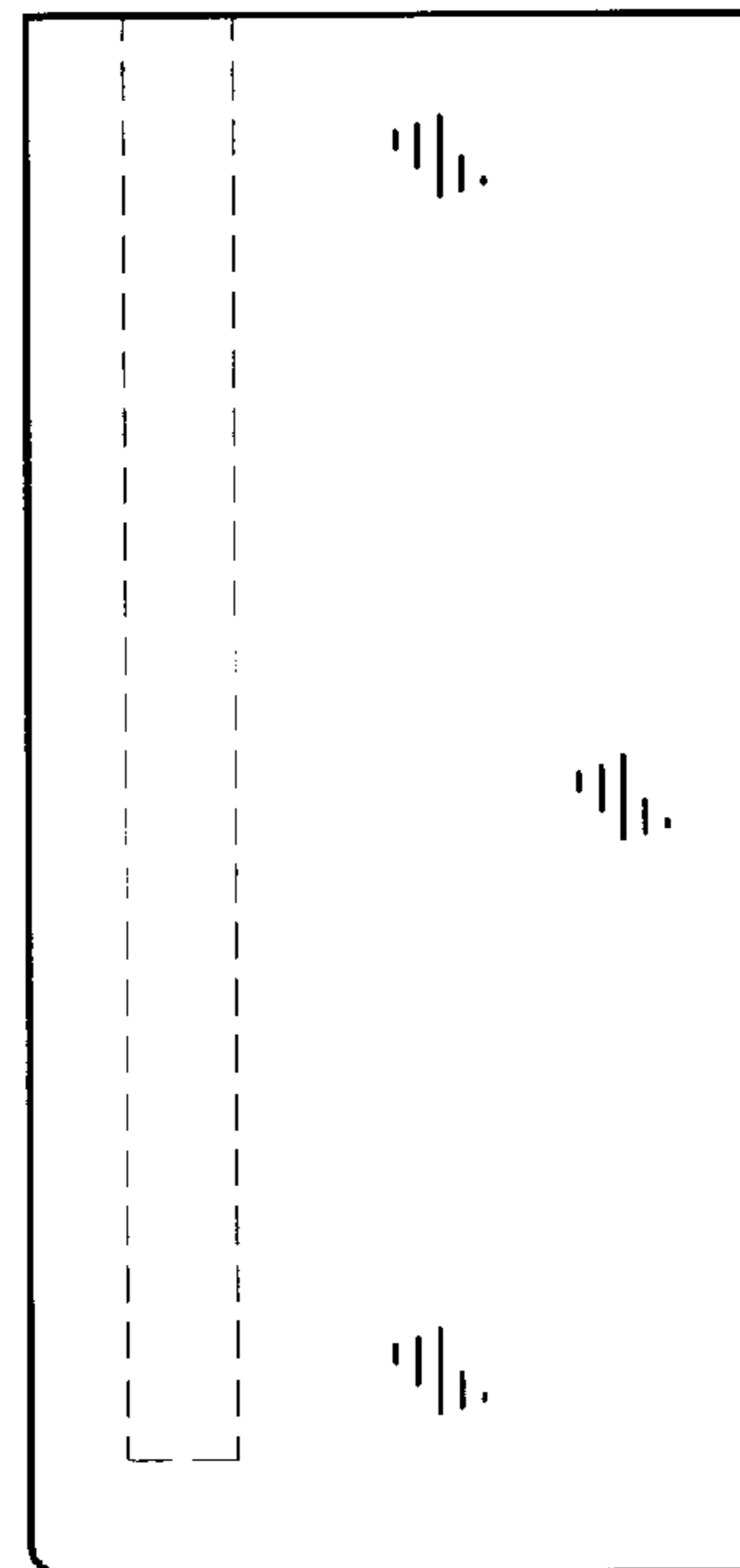


FIG. 5