



US00D515113S

(12) **United States Design Patent**  
**Monsalve et al.**

(10) **Patent No.:** **US D515,113 S**

(45) **Date of Patent:** **\*\* Feb. 14, 2006**

(54) **ICE CREAM MAKER**

(75) Inventors: **Luis Arsenio Garsia Monsalve**,  
Brooklyn, NY (US); **Tucker Fort**, New  
York, NY (US); **Richard Andrew**  
**Whitehall**, New York, NY (US);  
**Jennifer Courington**, River Grove, IL  
(US); **Jecfield Luk**, Hong Kong (HK)

(73) Assignee: **Wilton Industries, Inc.**, Woodridge, IL  
(US)

(\*\*) Term: **14 Years**

(21) Appl. No.: **29/207,165**

(22) Filed: **Jun. 9, 2004**

(51) **LOC (8) Cl.** ..... **15-07**

(52) **U.S. Cl.** ..... **D15/80**

(58) **Field of Classification Search** ..... D15/79,  
D15/80, 82, 89, 90; 62/246-255, 337, 345,  
62/440-449, 3.6; 312/116, 401; 217/76; 249/137,  
249/139; D7/371, 681; 366/149, 217; 220/592.04,  
220/592.12, 592.13, 592.14

See application file for complete search history.

(56) **References Cited**

**U.S. PATENT DOCUMENTS**

517,492 A \* 4/1894 Skipper ..... 366/217

D142,680 S \* 10/1945 Swanson ..... D7/371  
4,173,925 A \* 11/1979 Leon ..... 99/348  
4,488,817 A \* 12/1984 Uesaka et al. .... 366/149  
D293,448 S \* 12/1987 Uesaka ..... D15/82  
6,301,919 B1 \* 10/2001 Blaustein et al. .... 62/345

\* cited by examiner

*Primary Examiner*—Nanda Bondade

*Assistant Examiner*—Shanda C. Hill

(74) *Attorney, Agent, or Firm*—DLA Piper Rudnick Gray  
Cary US LLP

(57) **CLAIM**

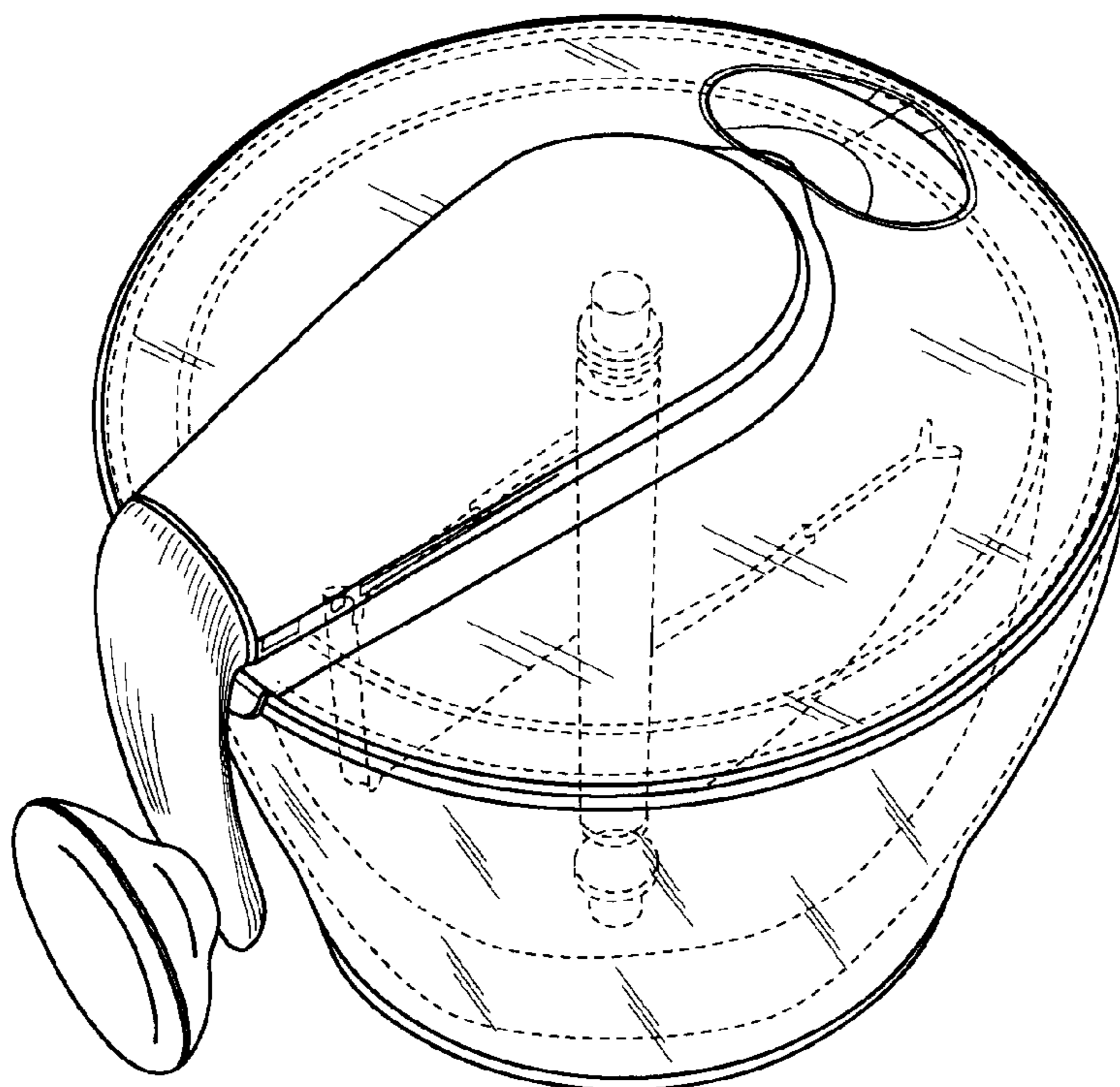
The ornamental design for an ice cream maker, as shown and  
described.

**DESCRIPTION**

FIG. 1 is a perspective view of the ice cream maker;  
FIG. 2 is a left side elevational view of the ice cream maker;  
FIG. 3 is a right side elevational view of the ice cream  
maker;  
FIG. 4 is a front elevational view of the ice cream maker;  
FIG. 5 is a rear elevational view of the ice cream maker;  
FIG. 6 is a top plan view of the ice cream maker; and,  
FIG. 7 is a bottom plan view of the ice cream maker.

The broken lines shown in the drawing disclosure are for  
illustrative purposes only and form no part of the claimed  
design.

**1 Claim, 4 Drawing Sheets**



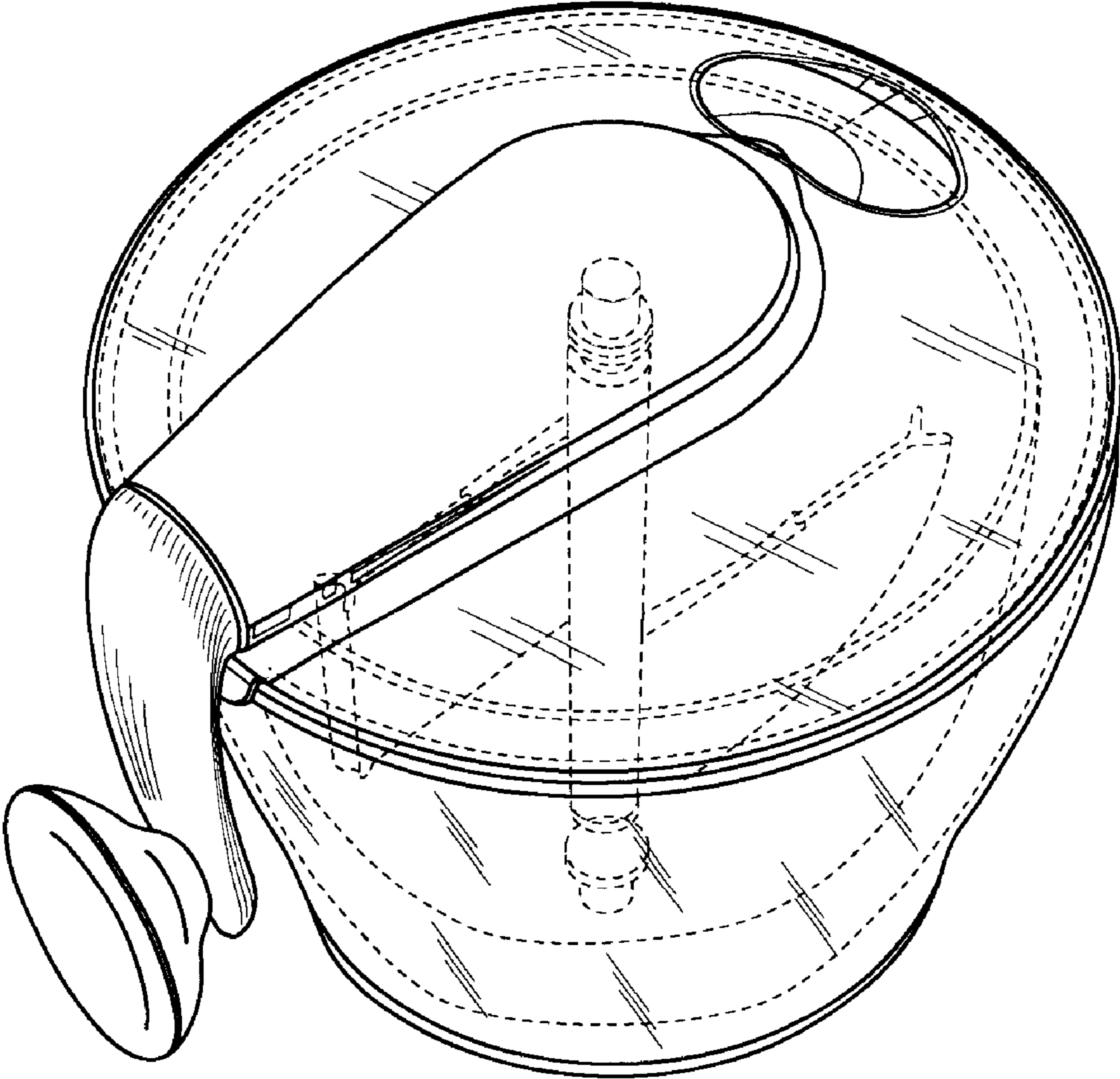


FIG. 1

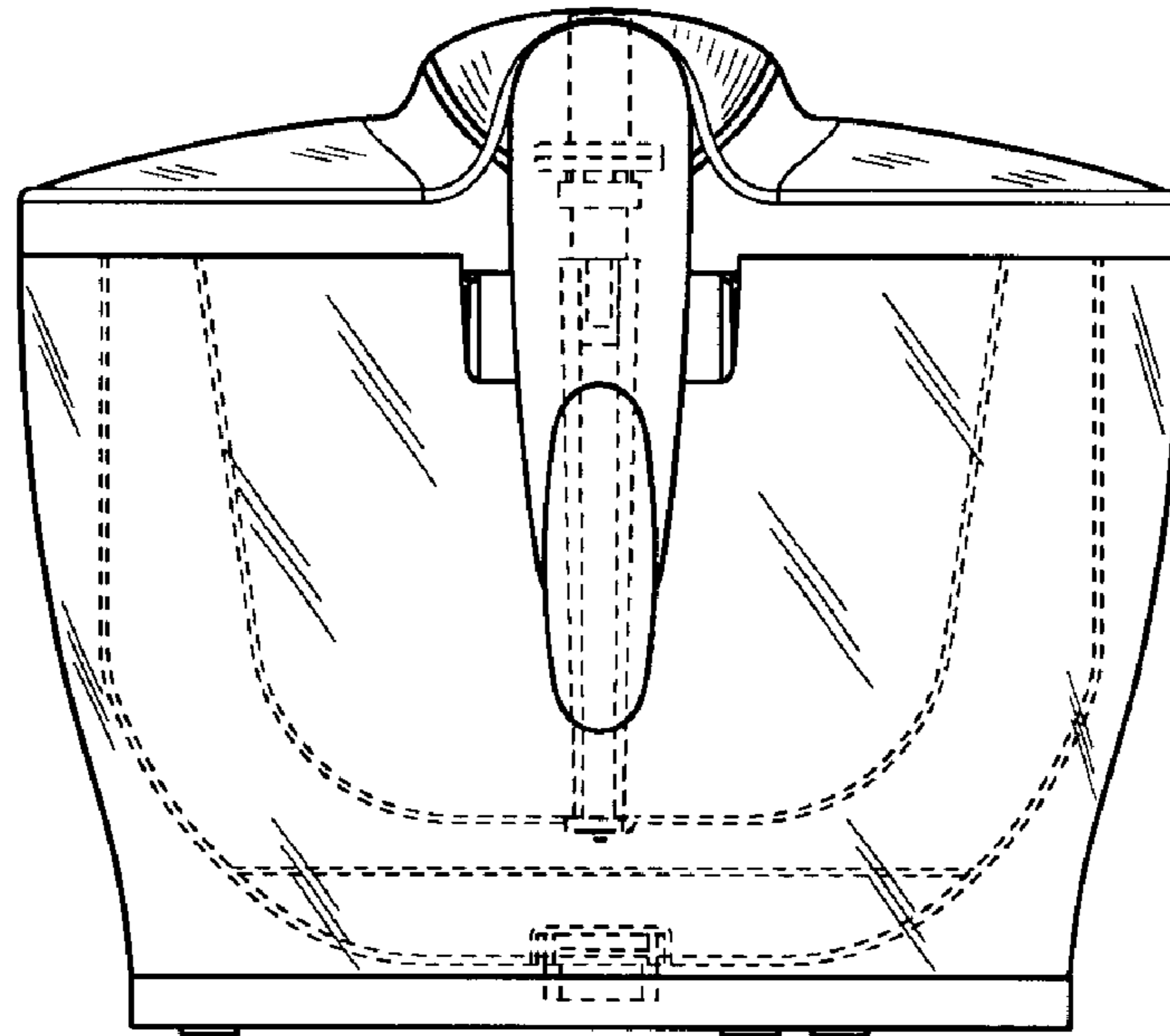


FIG. 2

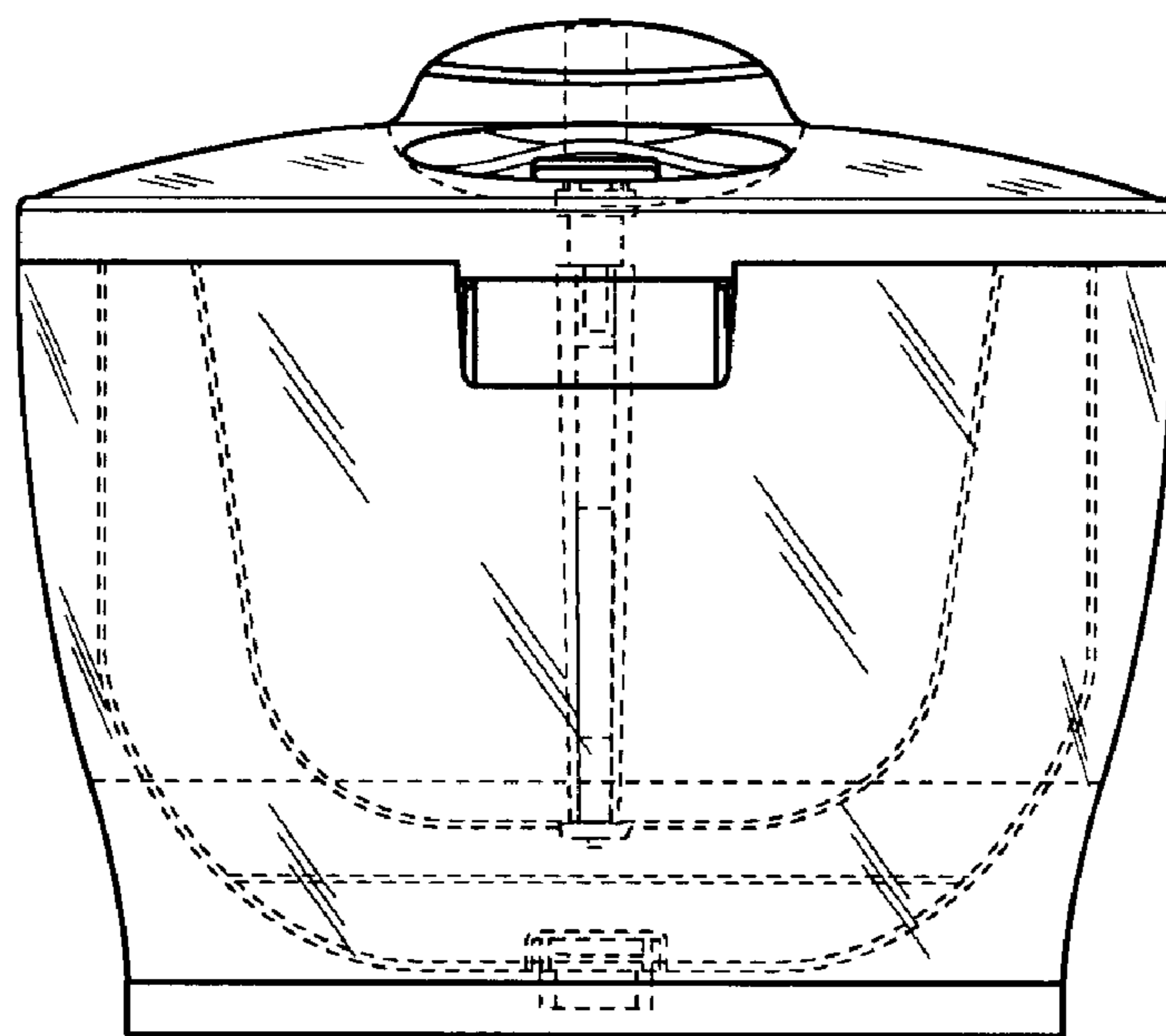


FIG. 3

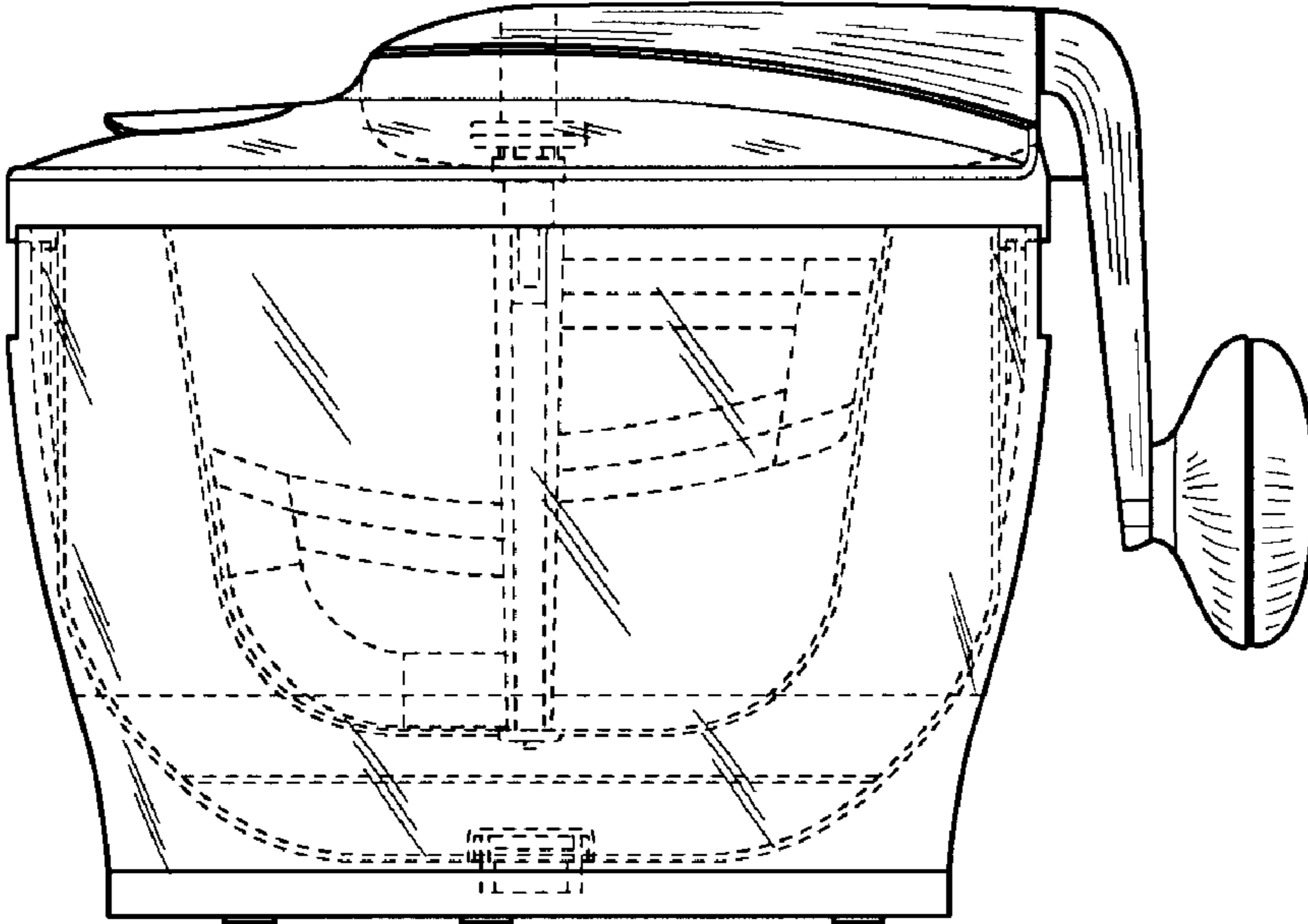


FIG. 4

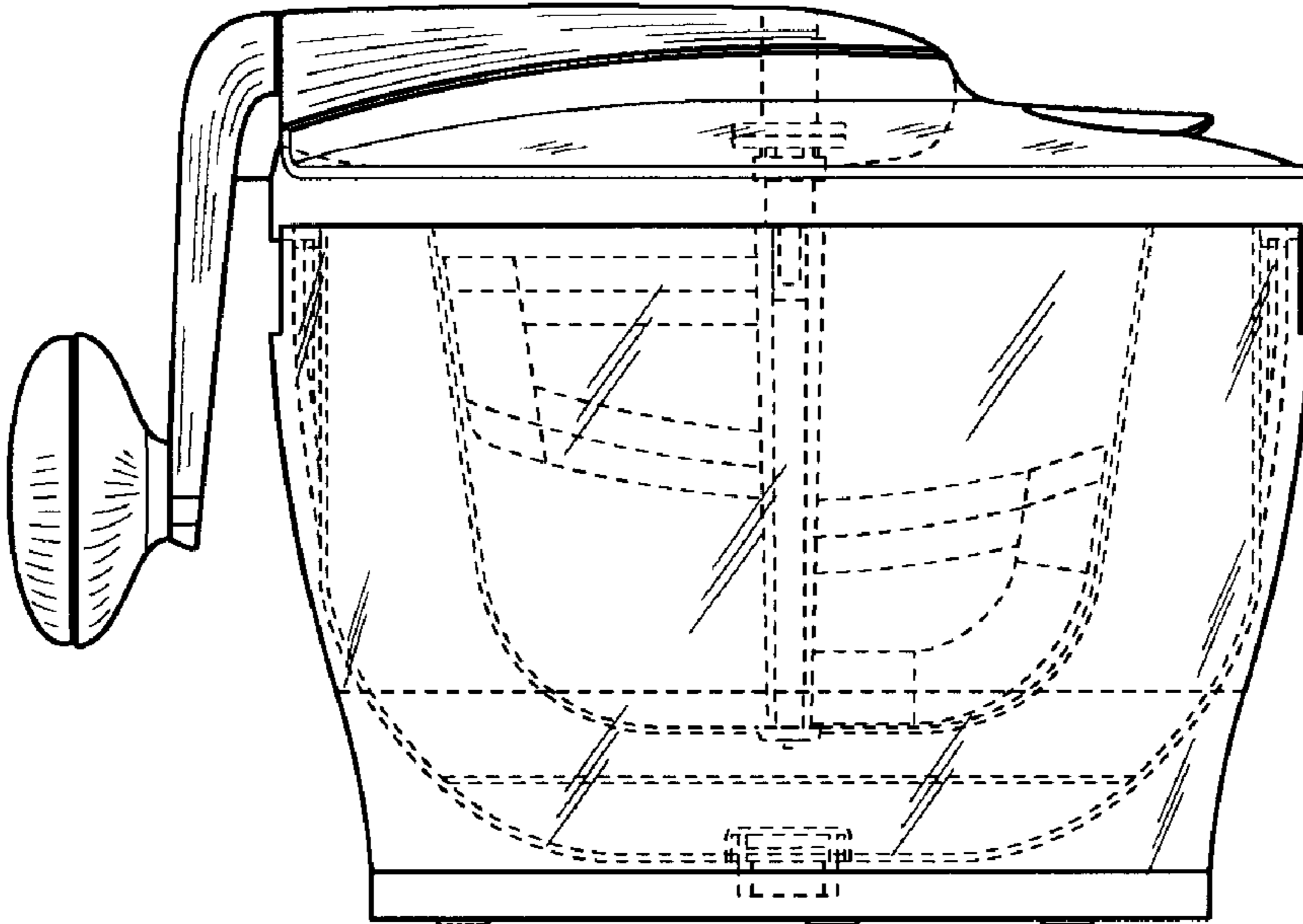


FIG. 5

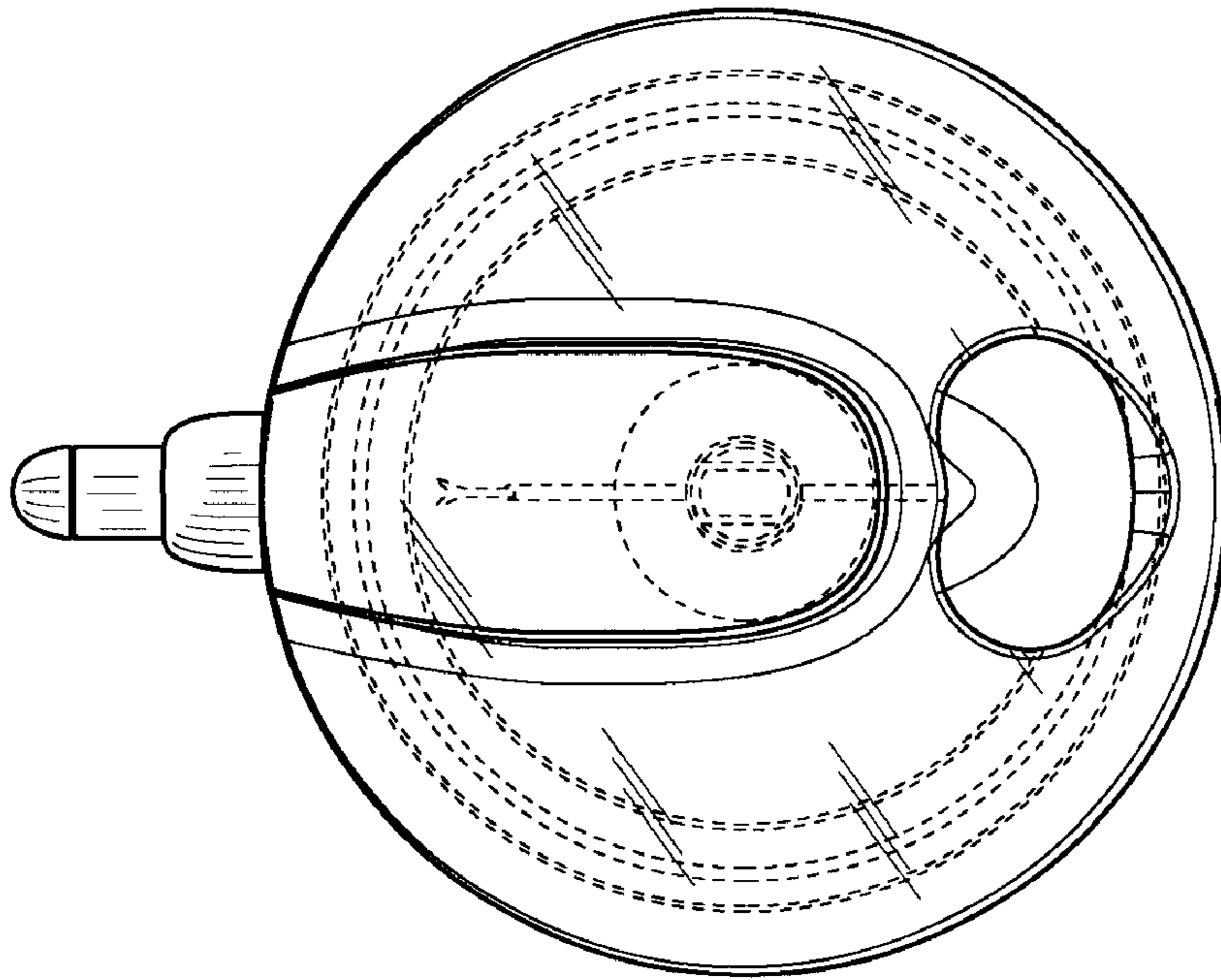


FIG. 6

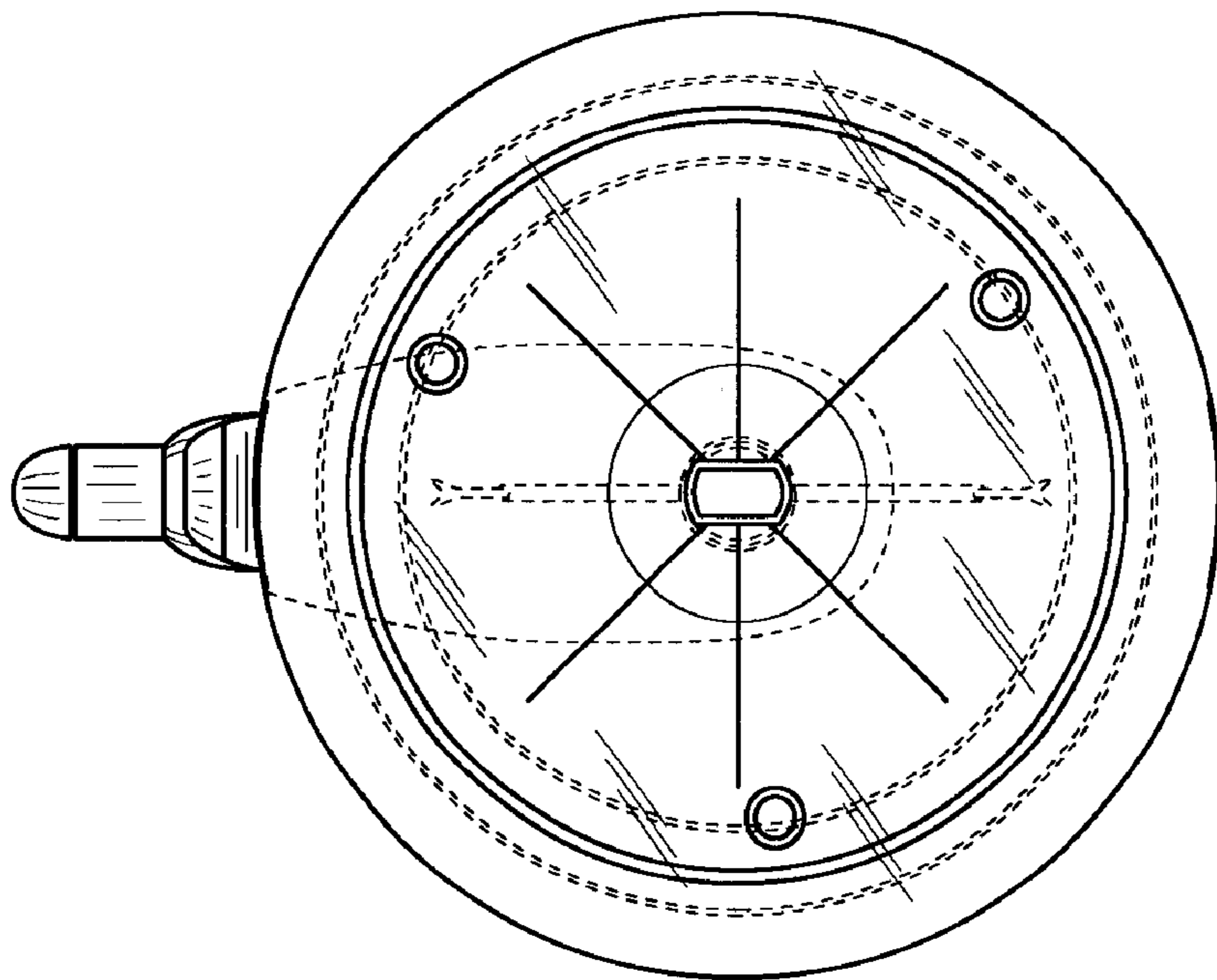


FIG. 7