



US00D515112S

(12) **United States Design Patent**
Kawaguchi

(10) **Patent No.:** **US D515,112 S**
(45) **Date of Patent:** **** Feb. 14, 2006**

(54) **PRESSER FOOT FOR SEWING MACHINE**

6,634,308 B1 * 10/2003 Martin 112/235

(75) Inventor: **Shinichi Kawaguchi**, Tokyo (JP)

* cited by examiner

(73) Assignee: **Kawaguchi Co., Ltd.**, Tokyo (JP)

Primary Examiner—Stella Reid
Assistant Examiner—Shanda C. Hill

(**) Term: **14 Years**

(74) *Attorney, Agent, or Firm*—Wenderoth, Lind & Ponack,
L.L.P.

(21) Appl. No.: **29/215,344**

(57) **CLAIM**

(22) Filed: **Oct. 19, 2004**

The ornamental design for a presser foot for sewing machine, as shown and described.

(51) **LOC (8) Cl.** **15-06**

(52) **U.S. Cl.** **D15/78; D15/72**

(58) **Field of Classification Search** D15/72,
D15/78; 112/226, 270, 235–240, 259–261;
225/83; 451/432

DESCRIPTION

See application file for complete search history.

FIG. 1 is a perspective view of a presser foot for sewing machine, showing my new design;
FIG. 2 is a front elevational view thereof;
FIG. 3 is a rear elevational view thereof;
FIG. 4 is a top plan view thereof;
FIG. 5 is a bottom plan view thereof;
FIG. 6 is a right side elevational view thereof;
FIG. 7 is a left side elevational view thereof;
FIG. 8 is a cross sectional view thereof, taken along line 8—8 of FIG. 2; and,
FIG. 9 is a perspective view thereof, in use condition.
The broken line shown is for illustrative purposes only and forms no part of the claimed design.

(56) **References Cited**

U.S. PATENT DOCUMENTS

2,487,285	A	*	11/1949	Voigt	112/235
2,741,200	A	*	4/1956	Smith	112/235
2,948,242	A	*	8/1960	Shuman	112/235
3,374,759	A	*	3/1968	Longcore	112/235
3,796,173	A	*	3/1974	Godsen	112/235
3,823,679	A	*	7/1974	Meier	112/235
4,876,974	A	*	10/1989	Ando	112/240
5,007,358	A	*	4/1991	Kawakubo et al.	112/235
5,515,797	A	*	5/1996	Janouschek et al.	112/235

1 Claim, 4 Drawing Sheets

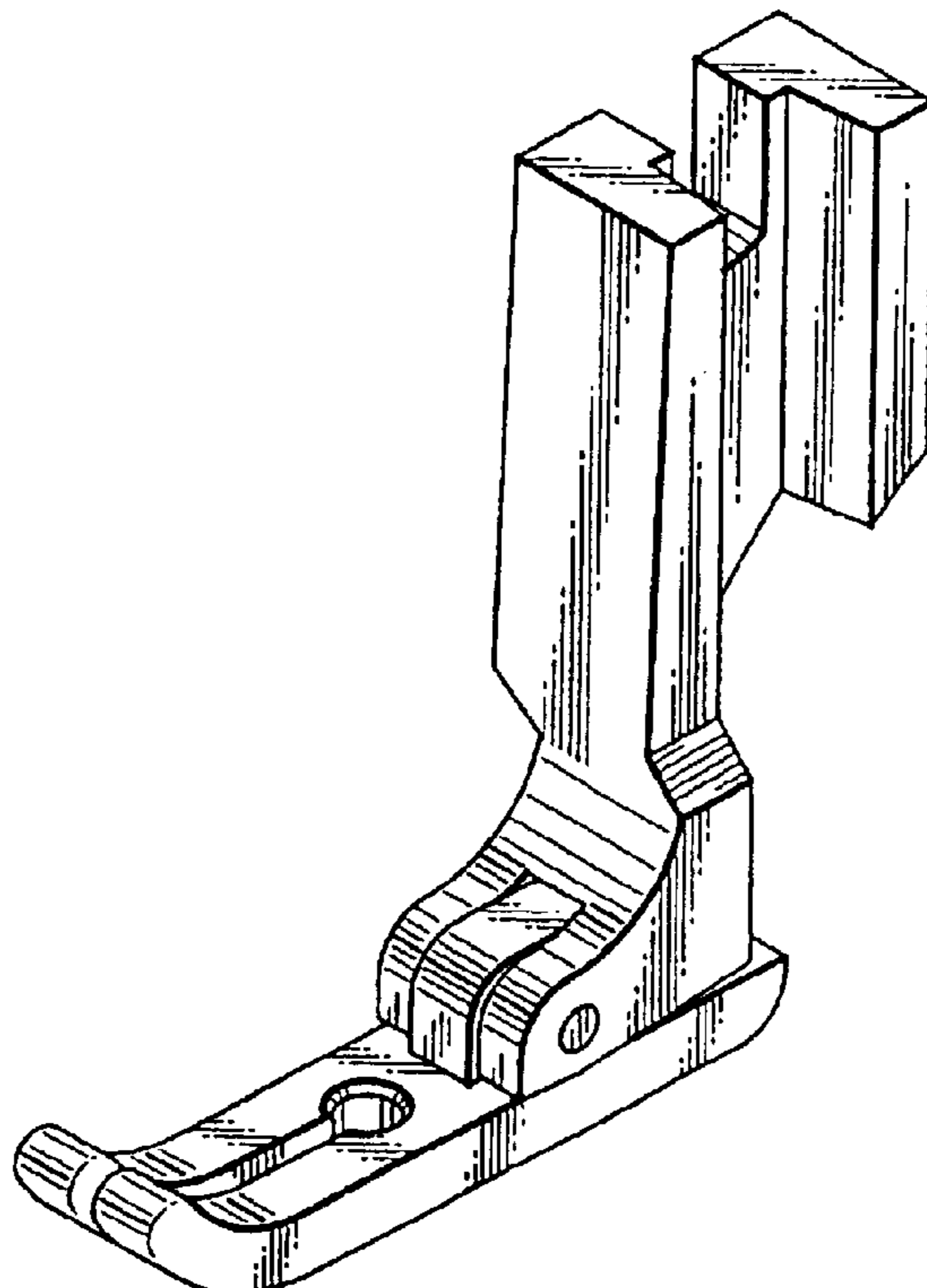


FIG. 1

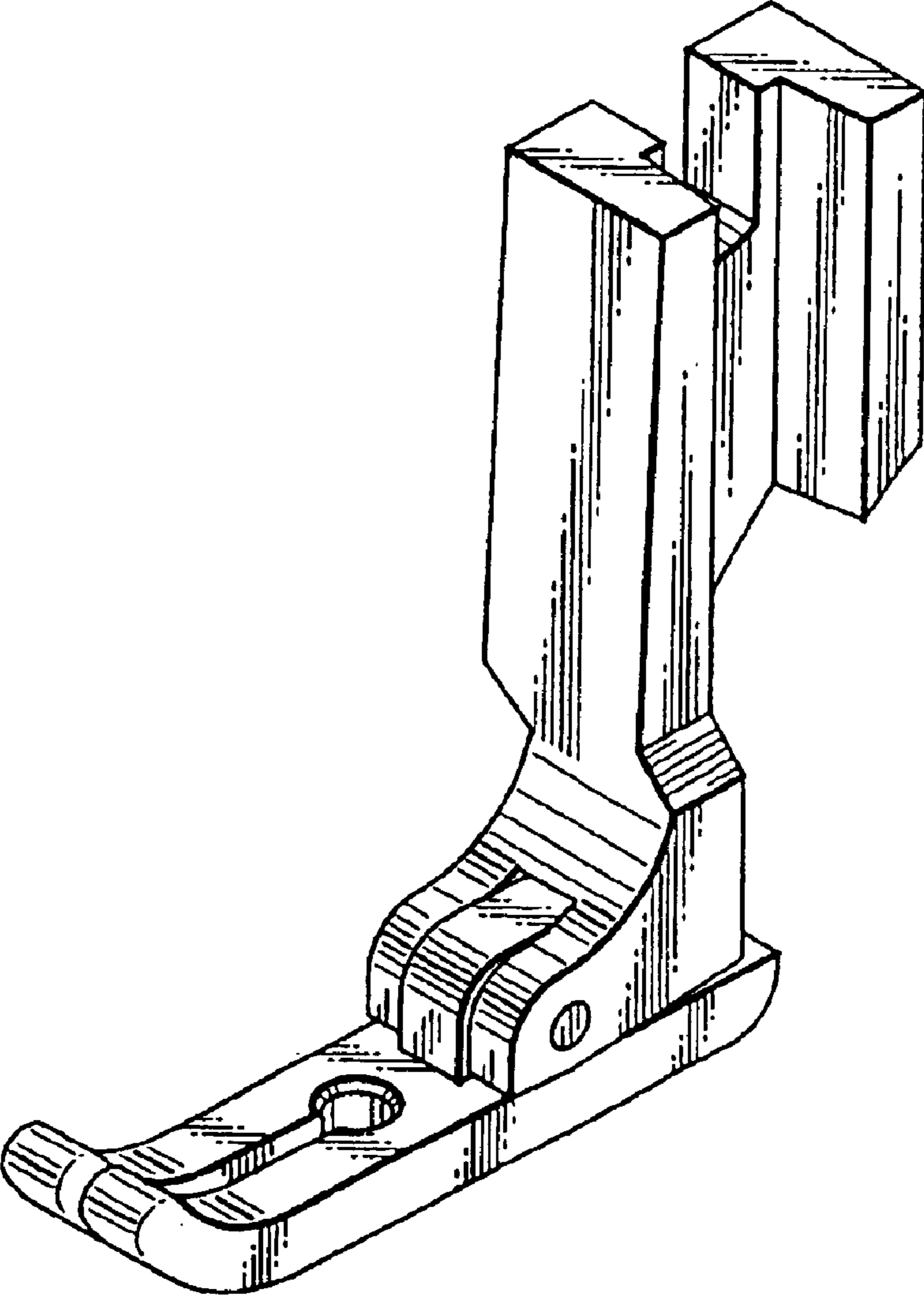


FIG. 2

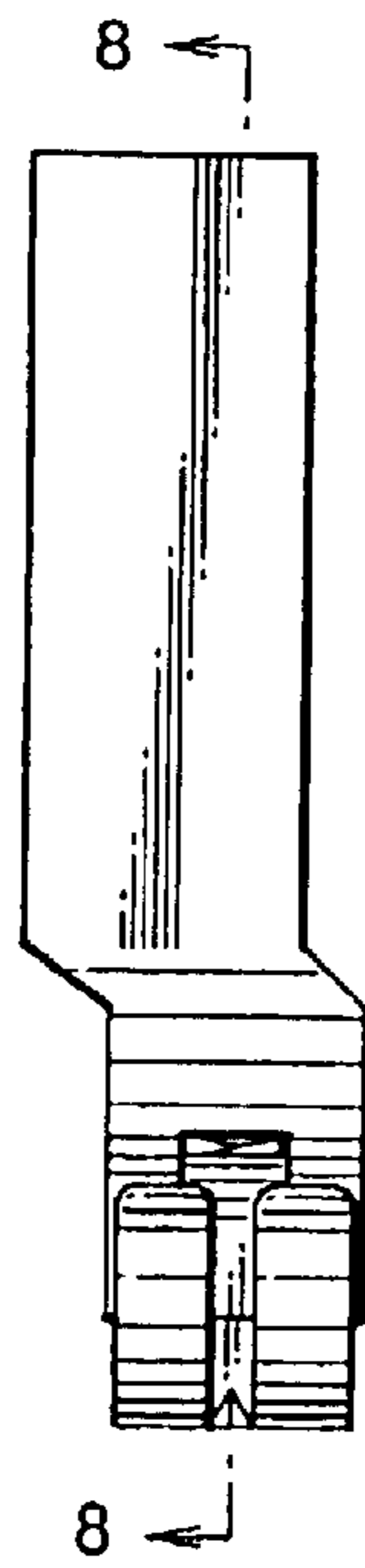


FIG. 3

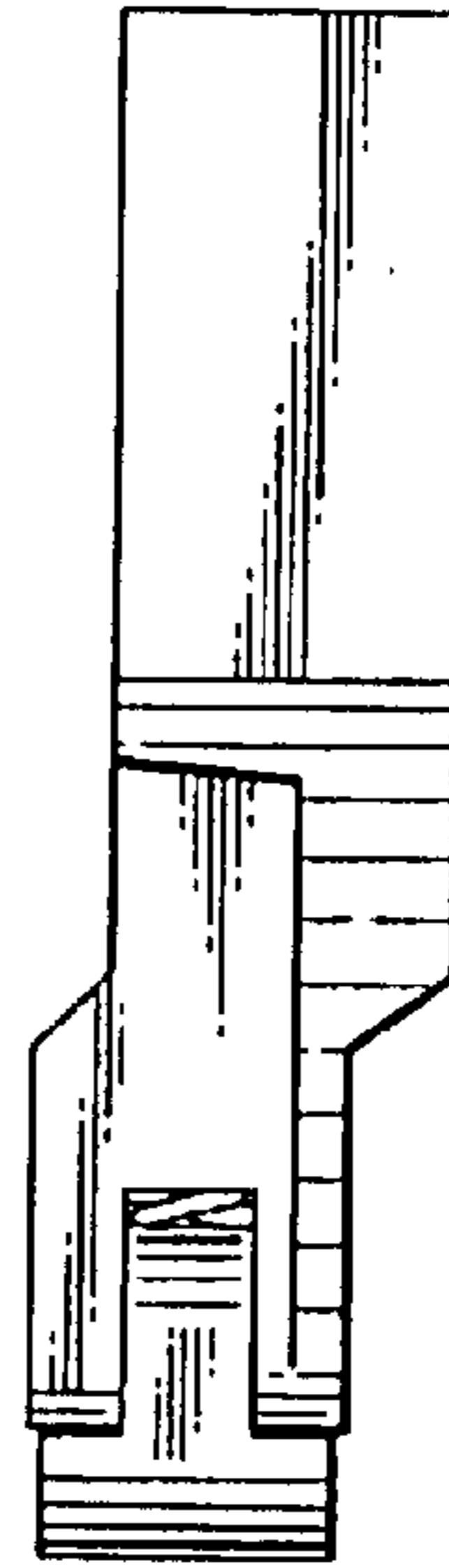


FIG. 4

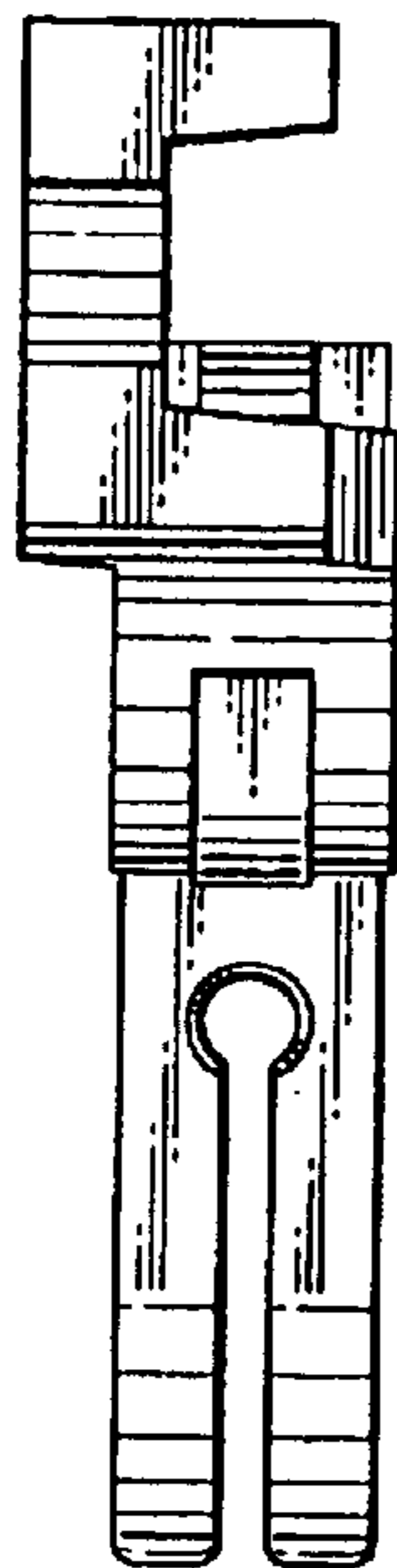


FIG. 5

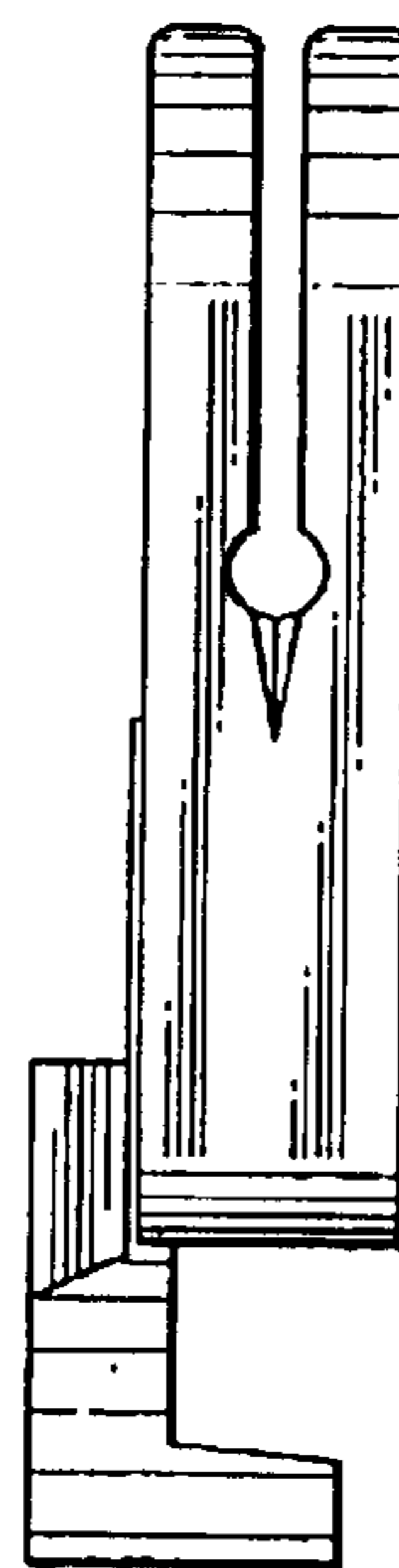


FIG.6

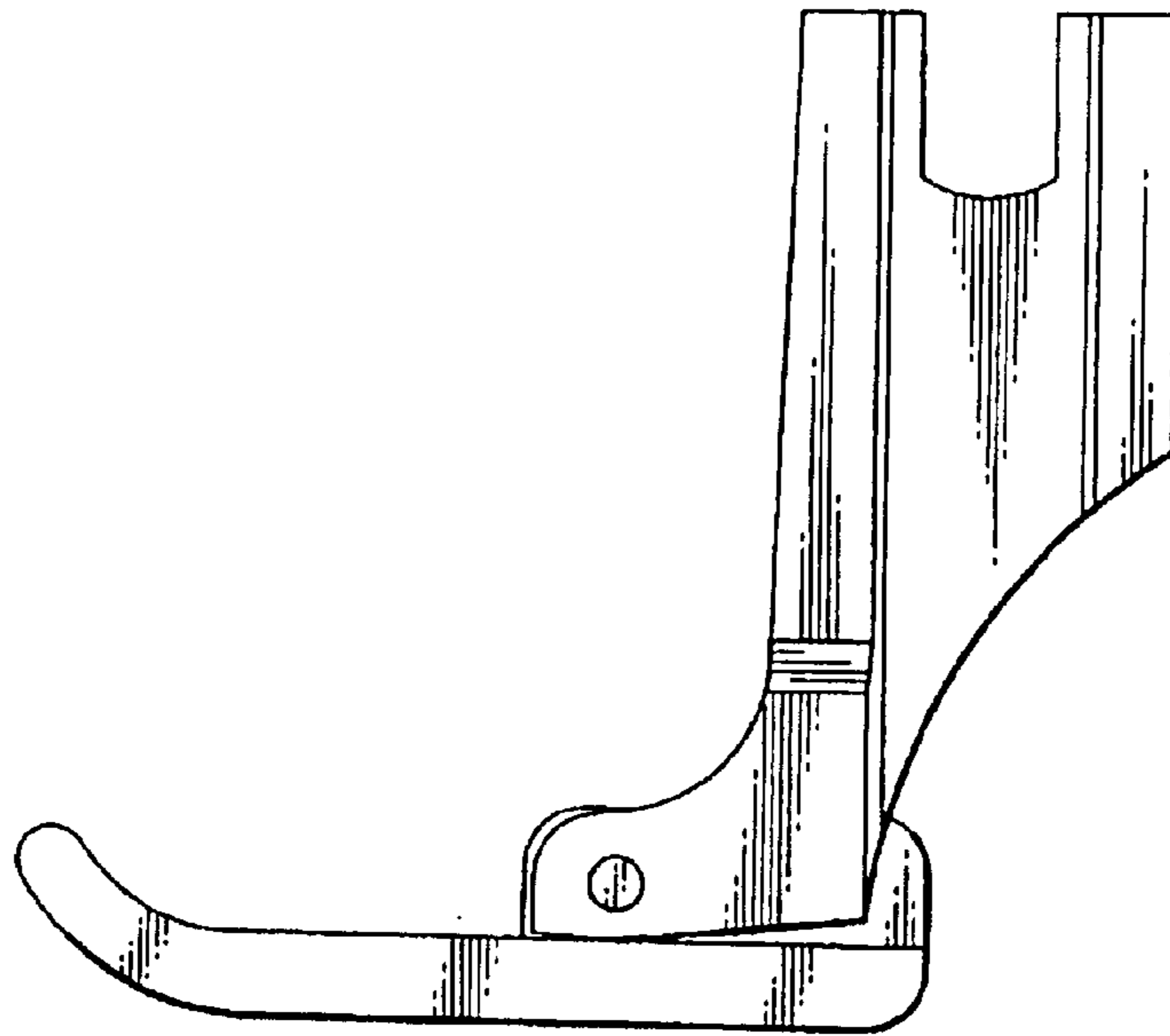


FIG.7

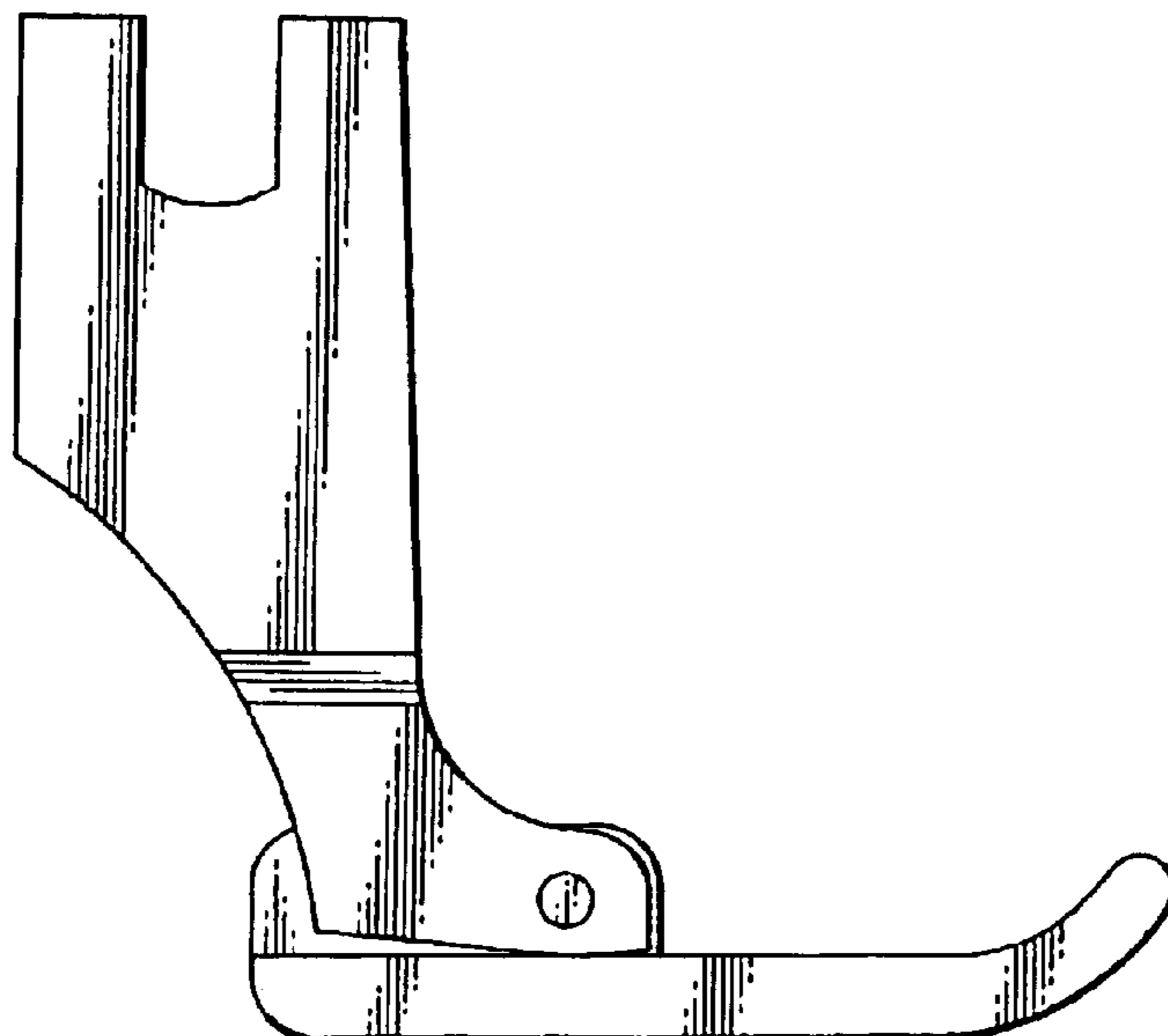


FIG.8

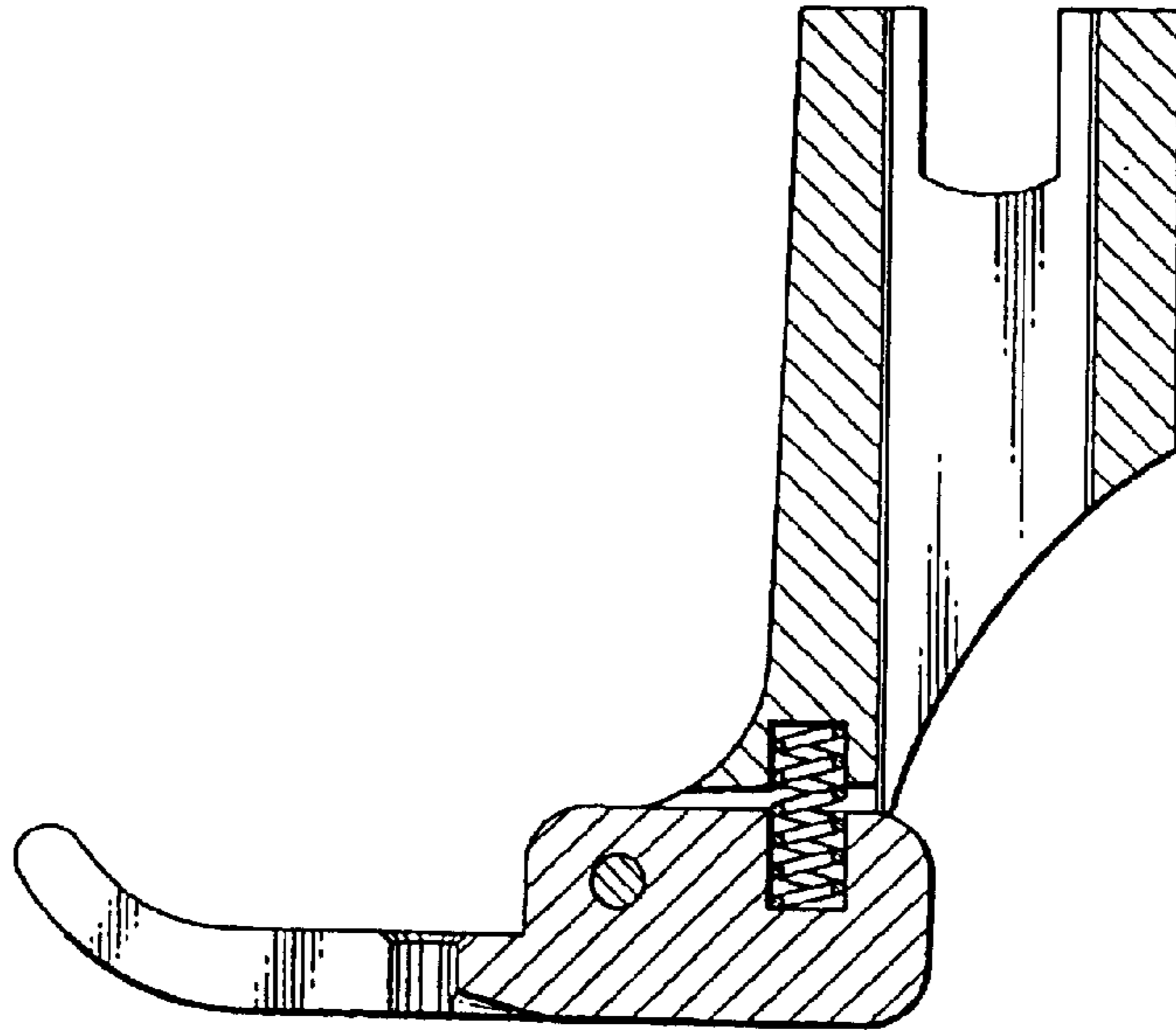


FIG.9

