



US00D515111S

(12) **United States Design Patent**
Egami

(10) **Patent No.:** **US D515,111 S**

(45) **Date of Patent:** **** Feb. 14, 2006**

(54) **SEWING MACHINE**

(75) **Inventor:** **Keiichiro Egami, Nagoya (JP)**

(73) **Assignee:** **Brother Industries, Ltd., Nagoya (JP)**

(**) **Term:** **14 Years**

(21) **Appl. No.:** **29/225,258**

(22) **Filed:** **Mar. 15, 2005**

(30) **Foreign Application Priority Data**

Sep. 15, 2004 (JP) 2004-027985

(51) **LOC (8) Cl.** **15-06**

(52) **U.S. Cl.** **D15/70; D15/69**

(58) **Field of Classification Search** D15/66-70,
D15/76; 112/63, 444, 217.1, 217.2, 217.3,
112/217.4, 258-261; D21/527
See application file for complete search history.

(56) **References Cited**

U.S. PATENT DOCUMENTS

- D434,781 S * 12/2000 Kawaguchi D15/69
- D437,329 S * 2/2001 Kuroki D15/69
- D450,720 S * 11/2001 Kuroki D15/69
- D450,722 S * 11/2001 Kawaguchi D15/69

- D460,765 S * 7/2002 Kuroki D15/69
- D472,562 S * 4/2003 Yamamoto et al. D15/69
- D474,208 S * 5/2003 Kawaguchi D15/69
- D481,739 S * 11/2003 Iwai D15/69
- D503,726 S * 4/2005 Iwai D15/69
- D505,433 S * 5/2005 Kuroki D15/69

* cited by examiner

Primary Examiner—Nanda Bondade

Assistant Examiner—Shanda C. Hill

(74) *Attorney, Agent, or Firm*—Oliff & Berridge, PLC

(57) **CLAIM**

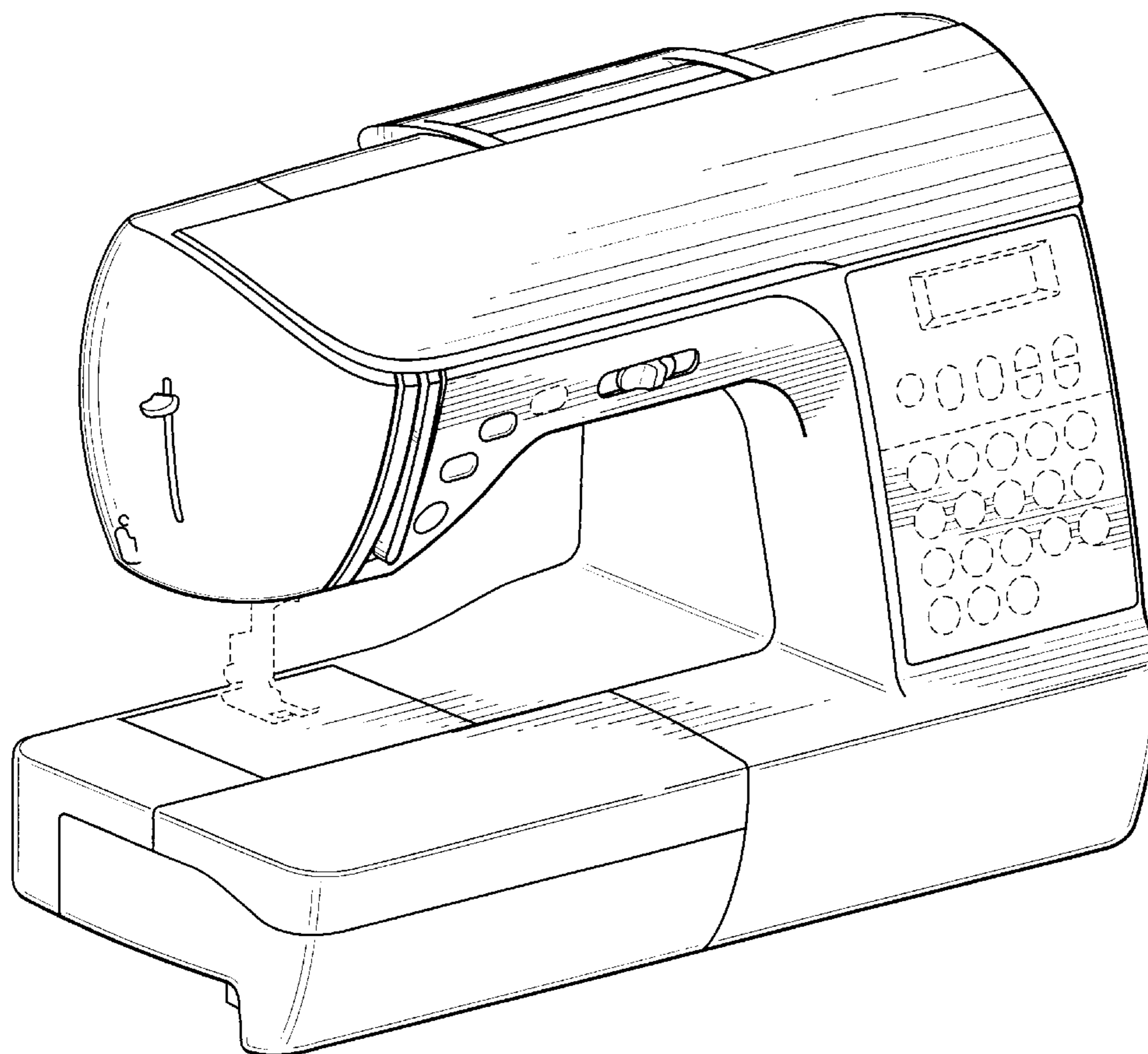
The ornamental design for a sewing machine, as shown and described.

DESCRIPTION

FIG. 1 is a perspective view of a sewing machine;
FIG. 2 is a front view thereof;
FIG. 3 is a rear-view thereof;
FIG. 4 is a left-side view thereof;
FIG. 5 is a right-side view thereof;
FIG. 6 is a top view thereof; and,
FIG. 7 is a bottom view thereof.

The broken lines are for illustrative purposes only and form no part of the claimed design.

1 Claim, 4 Drawing Sheets



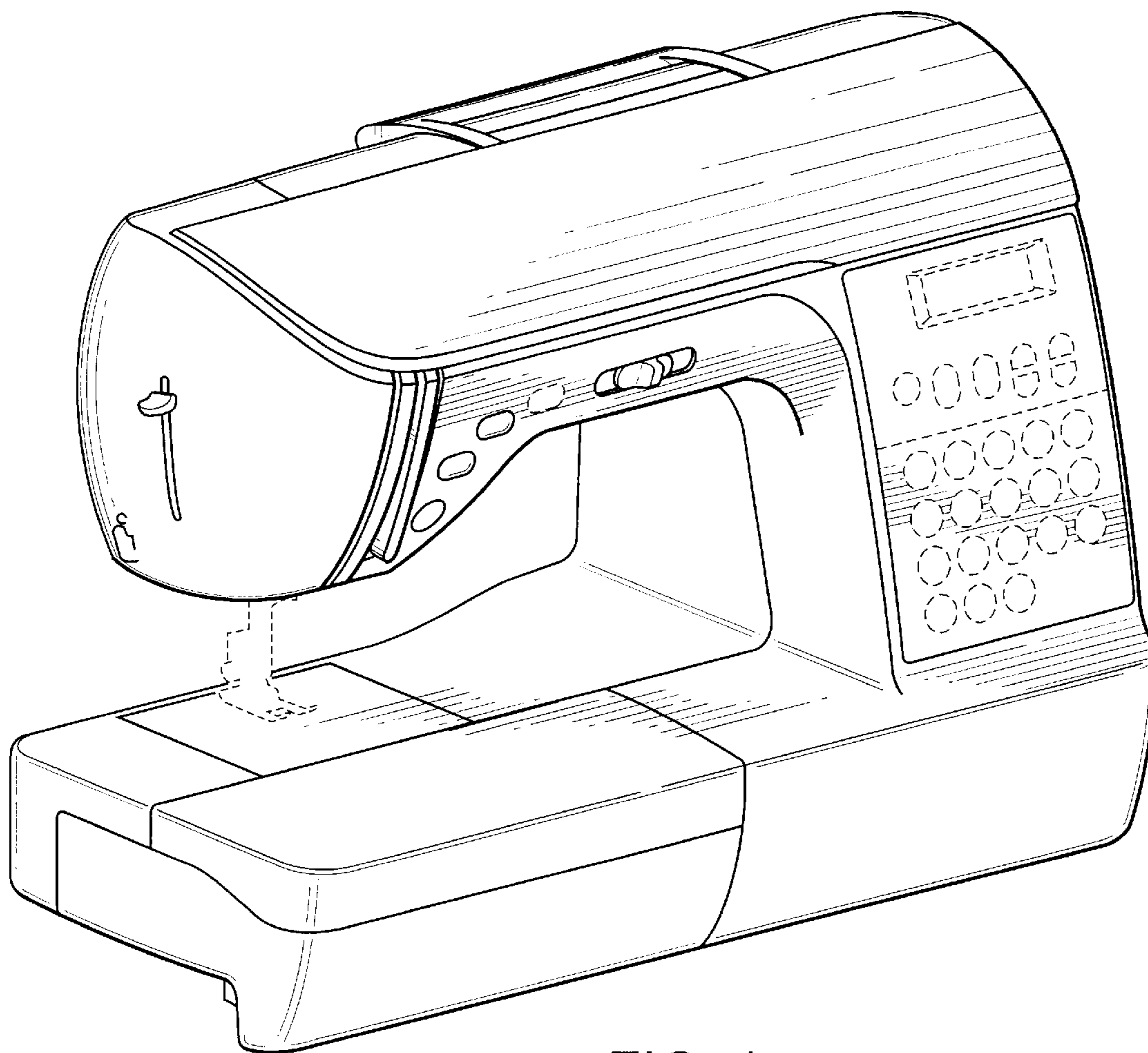


FIG. 1

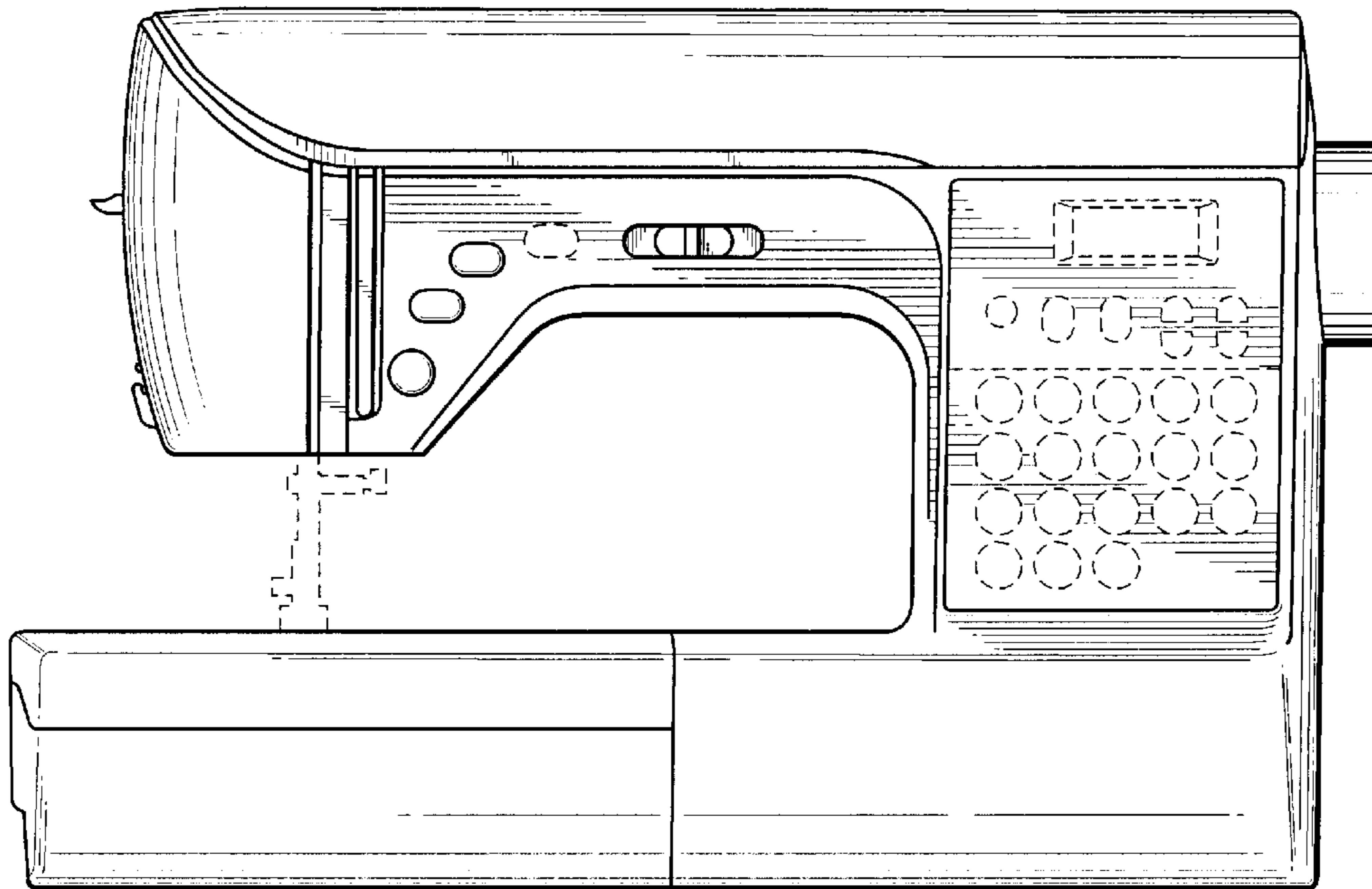


FIG. 2

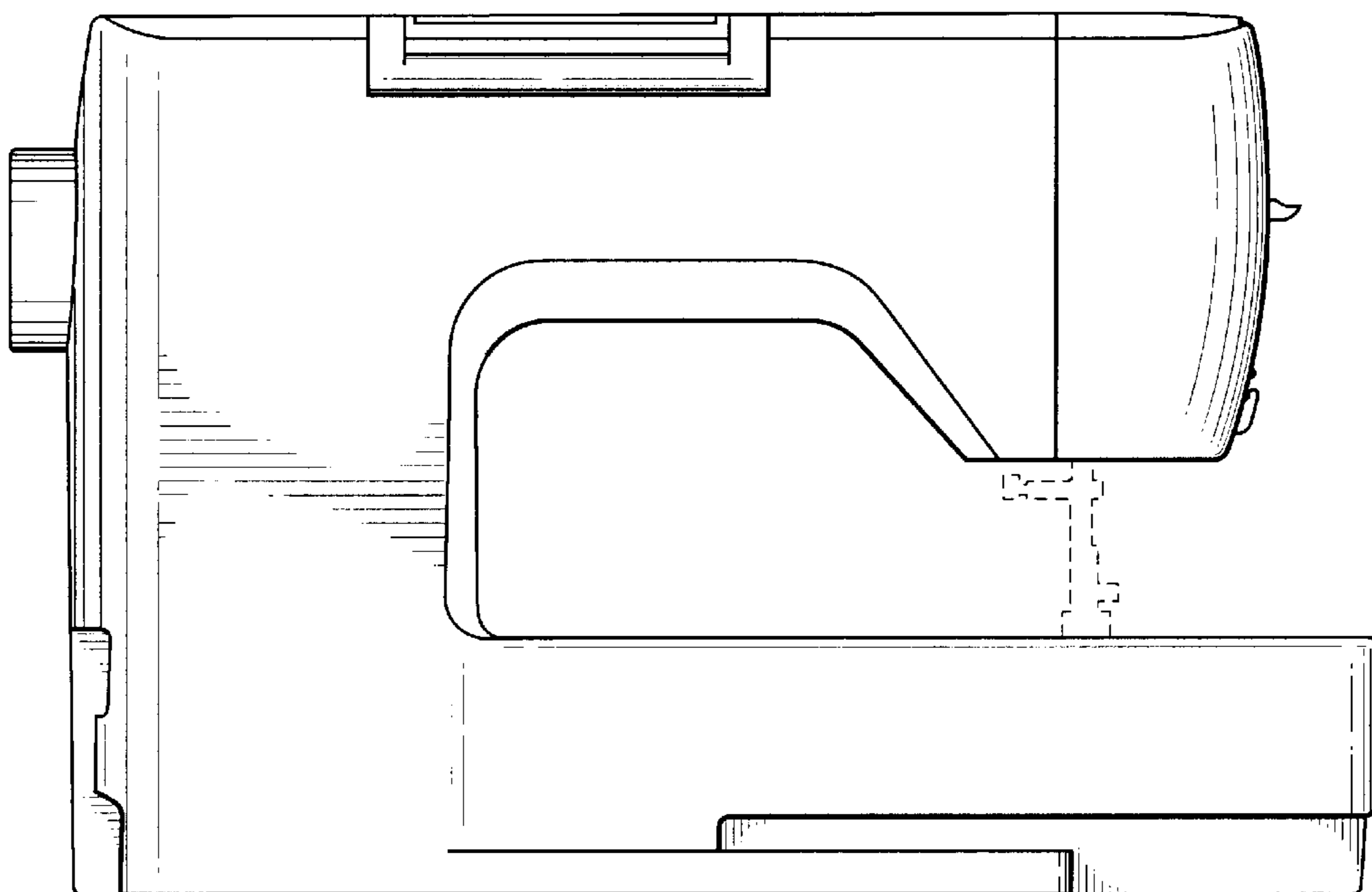


FIG. 3

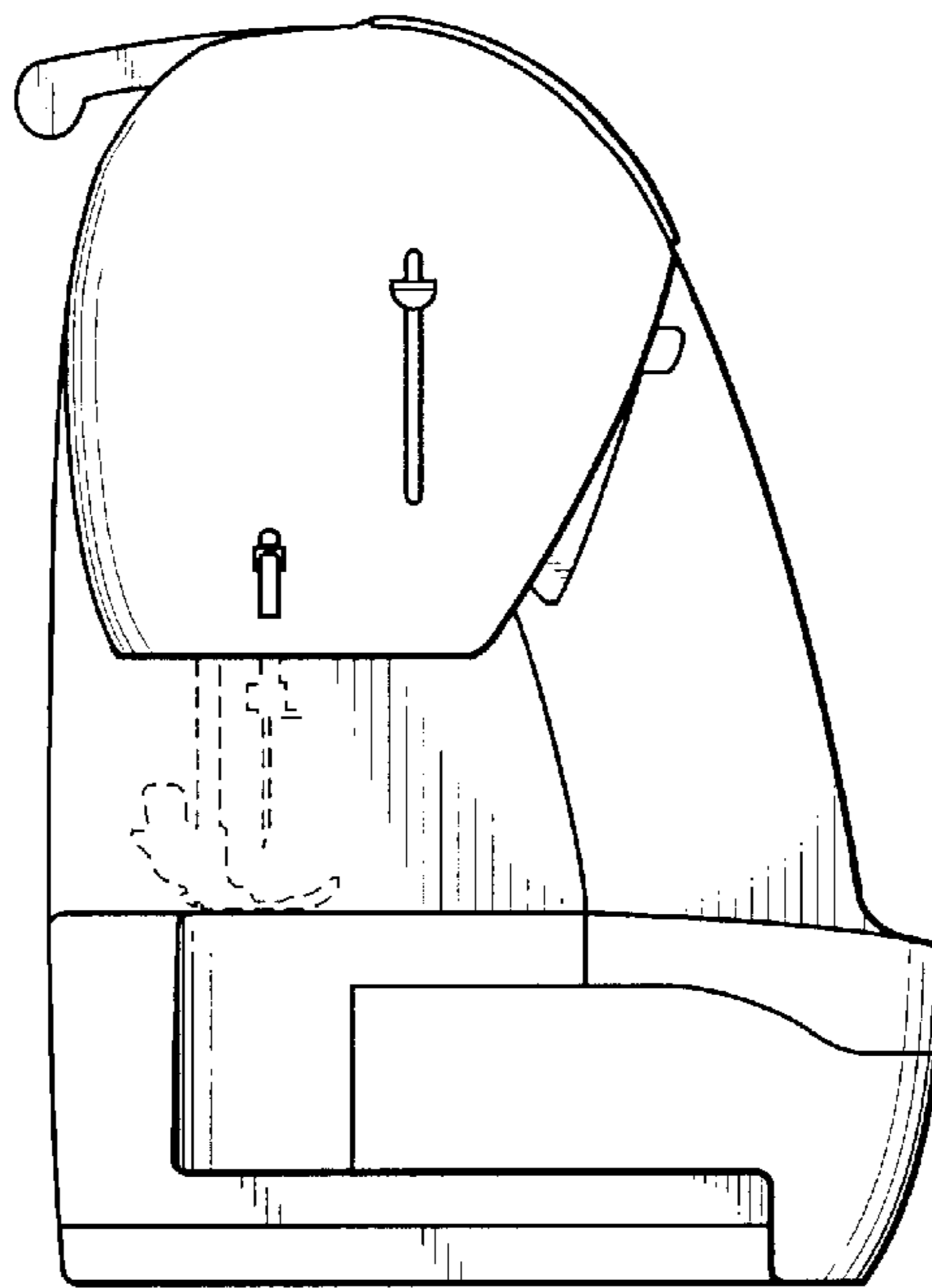


FIG. 4

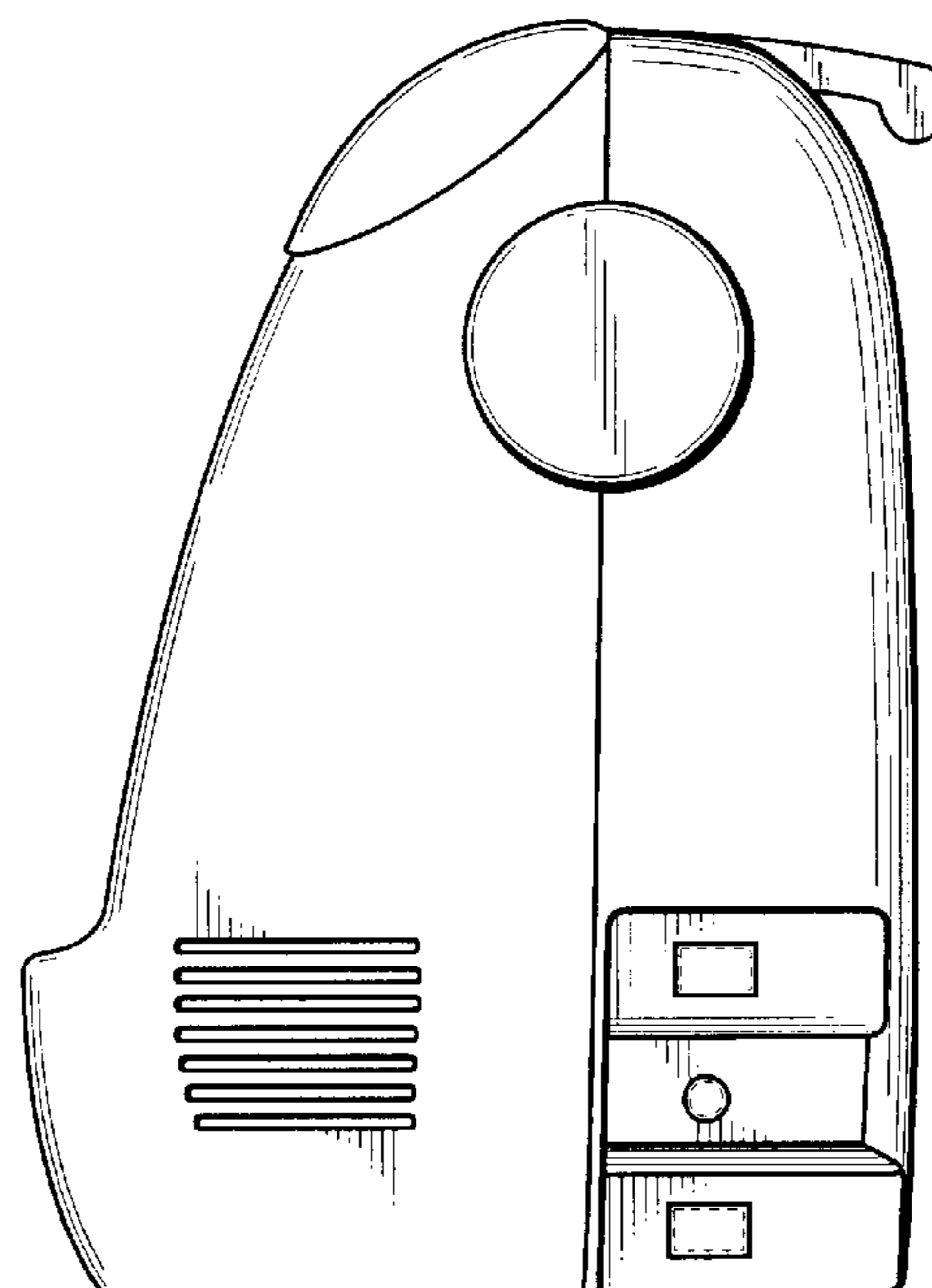


FIG. 5

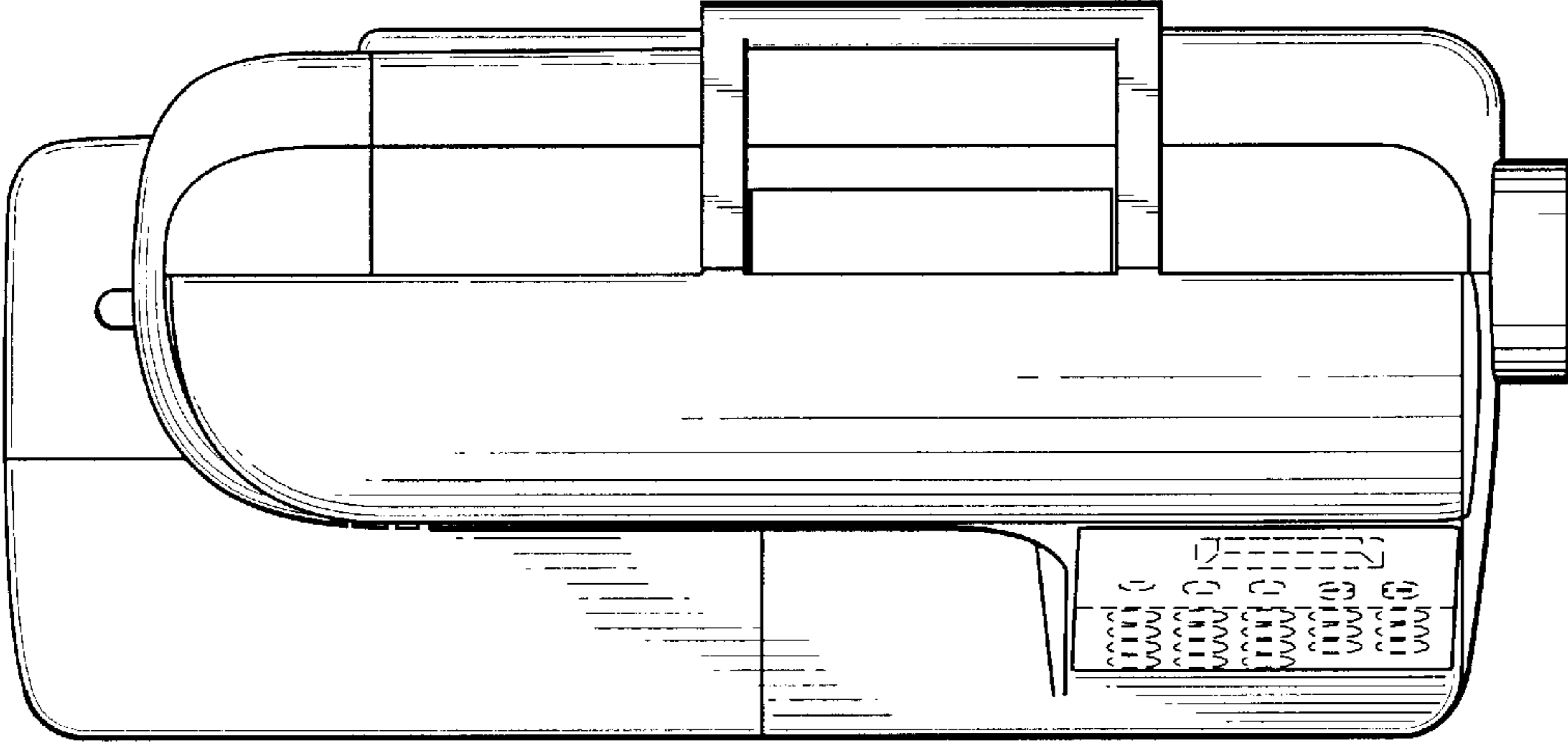


FIG. 6

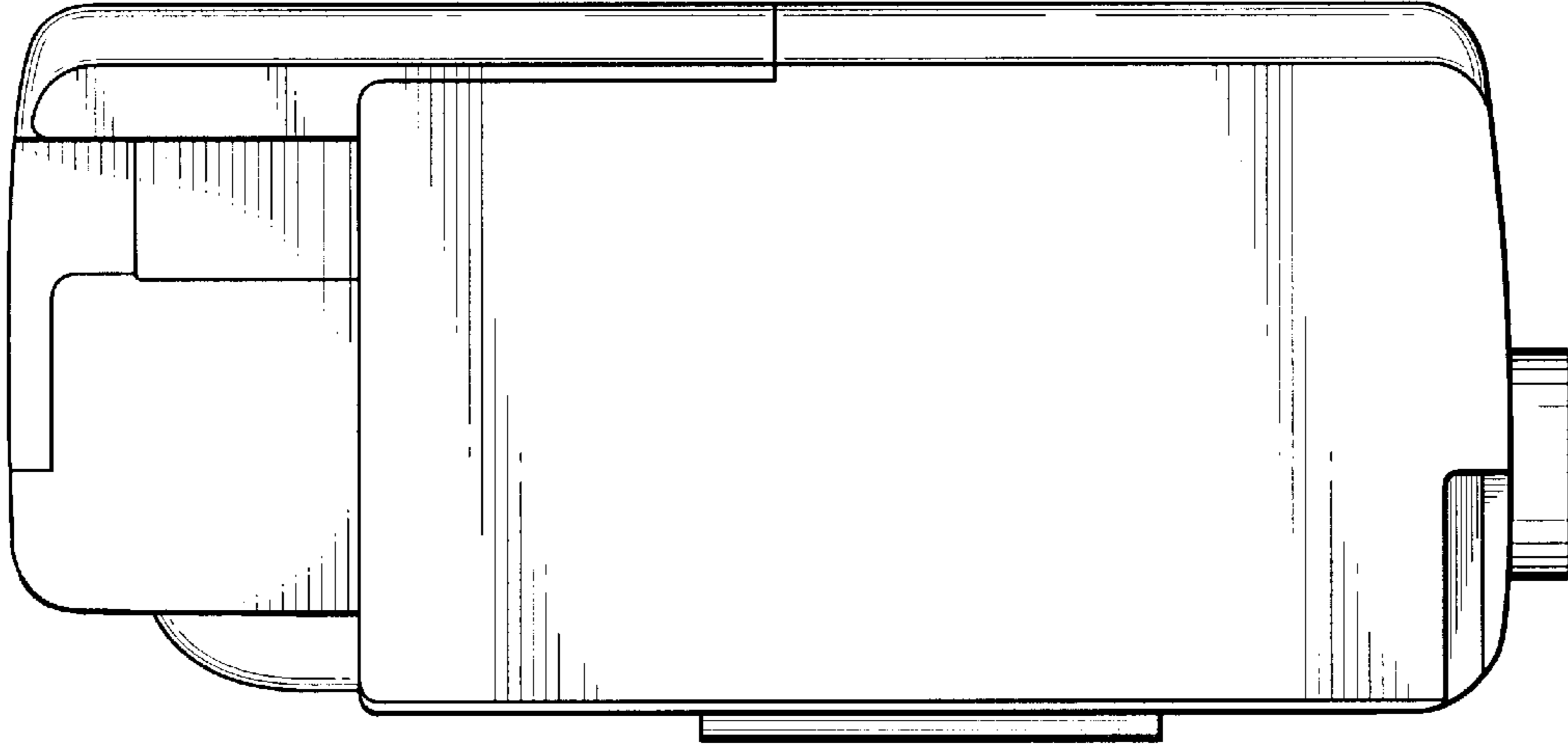


FIG. 7