



US00D515108S

(12) **United States Design Patent**
Kawaguchi

(10) **Patent No.: US D515,108 S**

(45) **Date of Patent: ** Feb. 14, 2006**

(54) **SEWING MACHINE**

(75) **Inventor: Kiyomi Kawaguchi, Tokyo (JP)**

(73) **Assignee: Janome Sewing Machine Co., Ltd.,
Tokyo (JP)**

(**) **Term: 14 Years**

(21) **Appl. No.: 29/221,335**

(22) **Filed: Jan. 14, 2005**

(30) **Foreign Application Priority Data**

Aug. 10, 2004 (JP) 2004-024025

(51) **LOC (8) Cl. 15-06**

(52) **U.S. Cl. D15/69**

(58) **Field of Classification Search** D15/66,
D15/68-70; 112/154, 444, 217.1, 217.2,
112/217.3, 217.4, 258-260; D21/527
See application file for complete search history.

(56) **References Cited**

U.S. PATENT DOCUMENTS

- D359,965 S * 7/1995 Nakajima et al. D15/69
- D403,333 S * 12/1998 Takada et al. D15/70
- D450,720 S * 11/2001 Kuroki D15/69
- D450,722 S * 11/2001 Kawaguchi D15/69

- D472,562 S * 4/2003 Yamamoto et al. D15/69
- D474,208 S * 5/2003 Kawaguchi D15/69
- D481,739 S * 11/2003 Iwai D15/69
- D483,774 S * 12/2003 Kuroki D15/69
- D504,444 S * 4/2005 Kuroki D15/69
- D504,692 S * 5/2005 Kuroki D15/69
- D506,478 S * 6/2005 Kuroki D15/70

* cited by examiner

Primary Examiner—Nanda Bondade

Assistant Examiner—Shanda C. Hill

(74) *Attorney, Agent, or Firm*—McGinn IP Law Group, PLLC

(57) **CLAIM**

The ornamental design for a sewing machine, as shown and described.

DESCRIPTION

FIG. 1 is a front elevational view of a sewing machine showing my design;
 FIG. 2 is a rear elevational view thereof;
 FIG. 3 is a left side elevational view thereof;
 FIG. 4 is a right side elevational view thereof;
 FIG. 5 is a top plan view thereof;
 FIG. 6 is a bottom plan view thereof; and,
 FIG. 7 is a perspective view thereof.

1 Claim, 7 Drawing Sheets

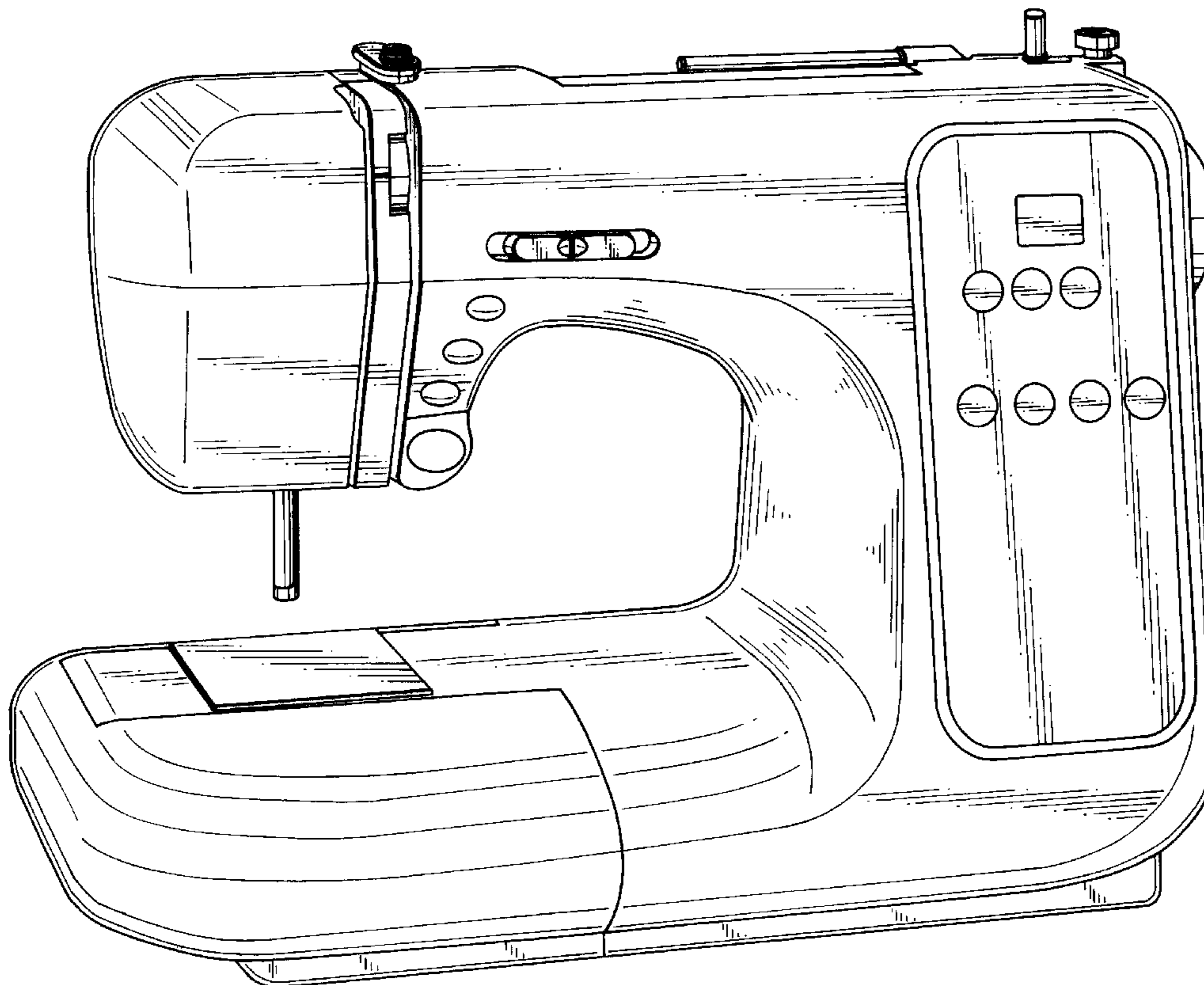


FIG. 1

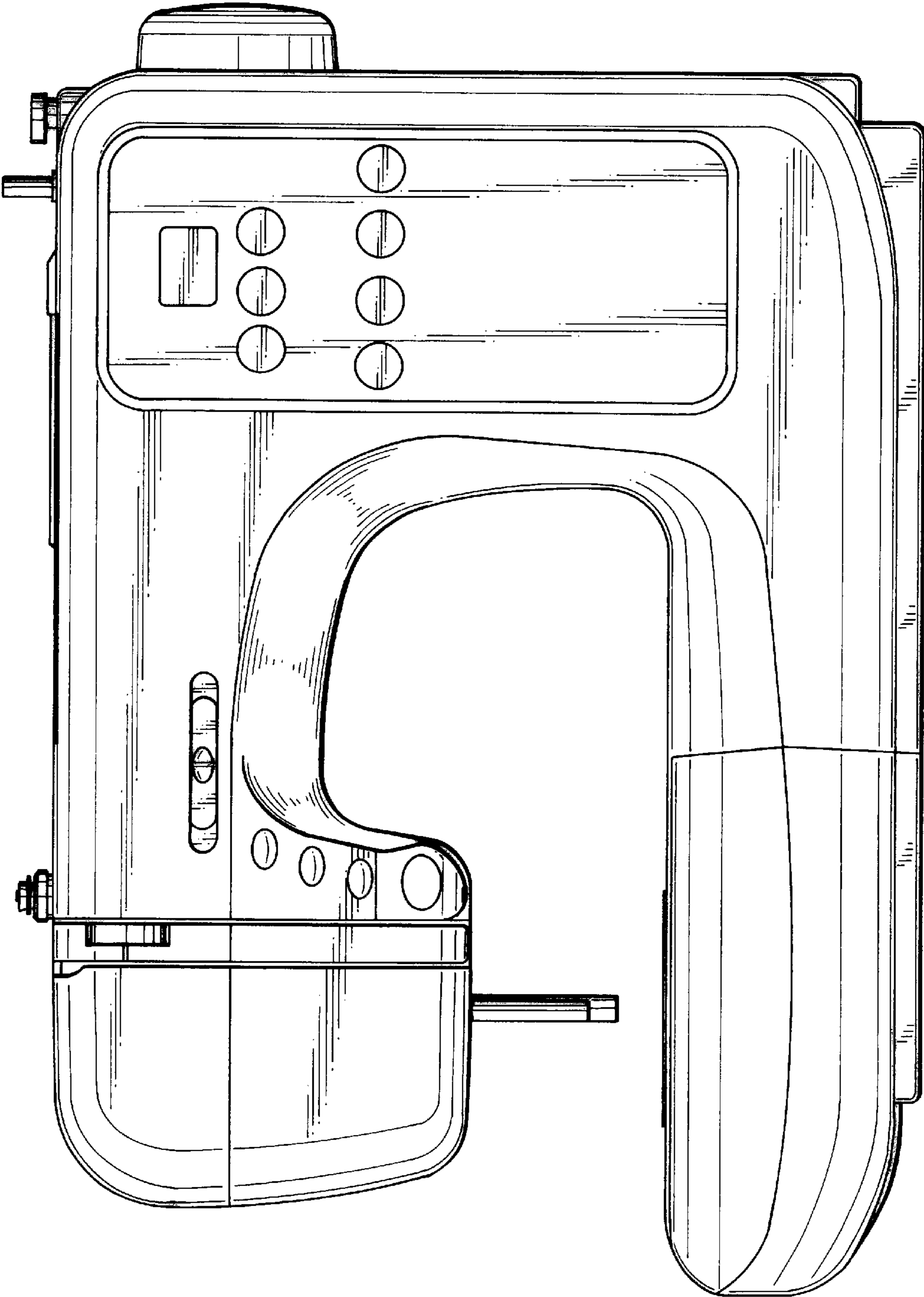


FIG. 2

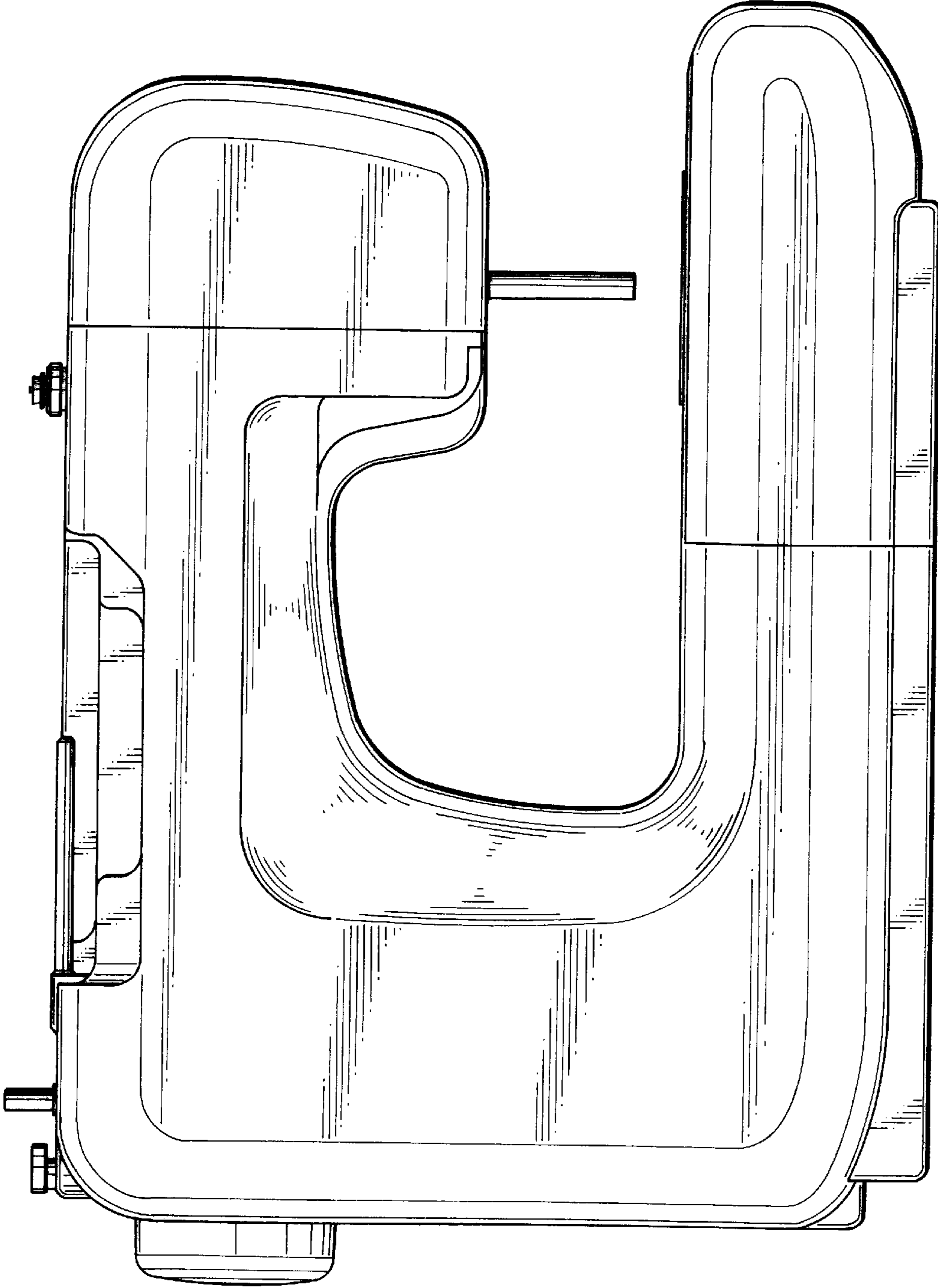


FIG. 3

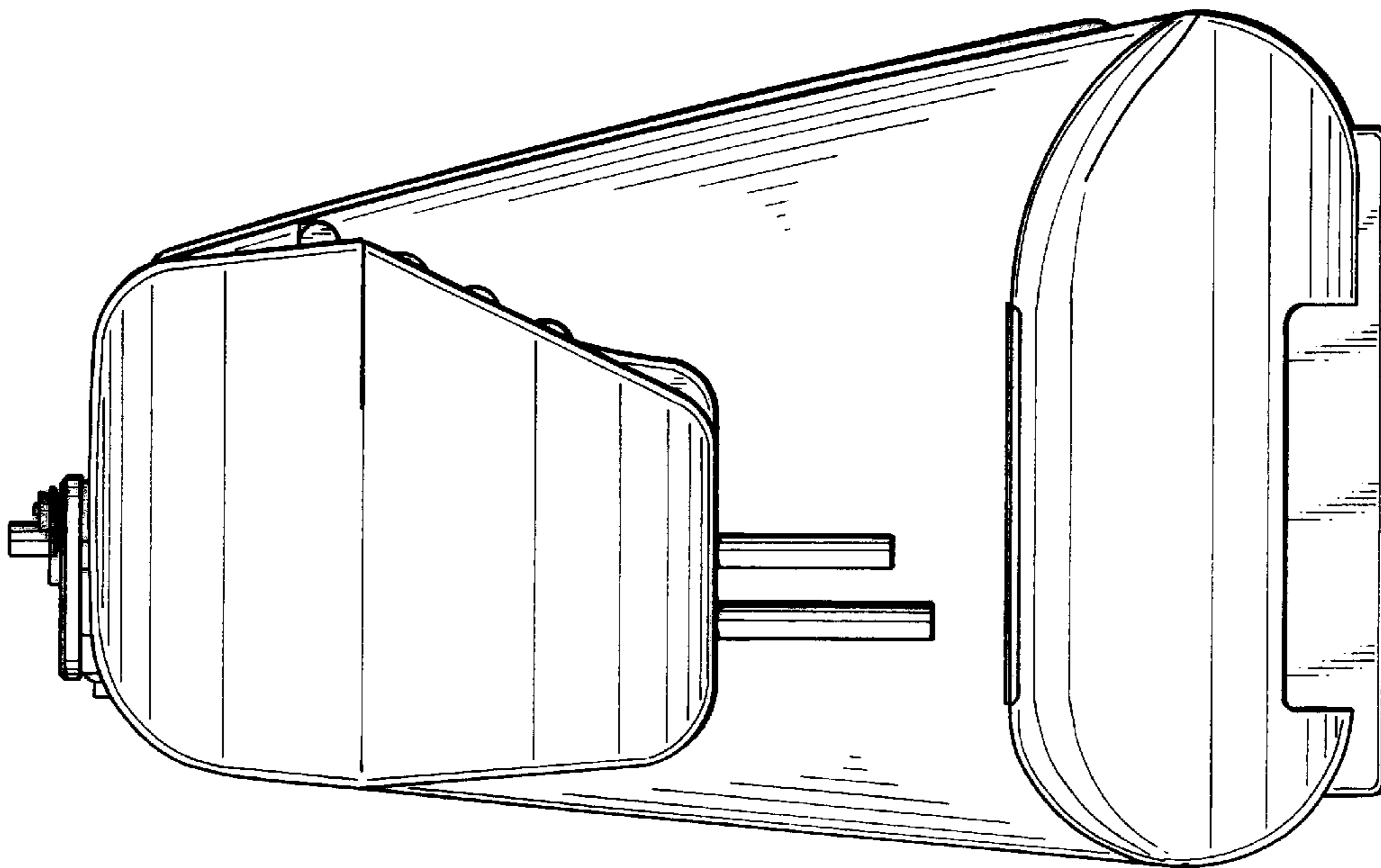


FIG. 4

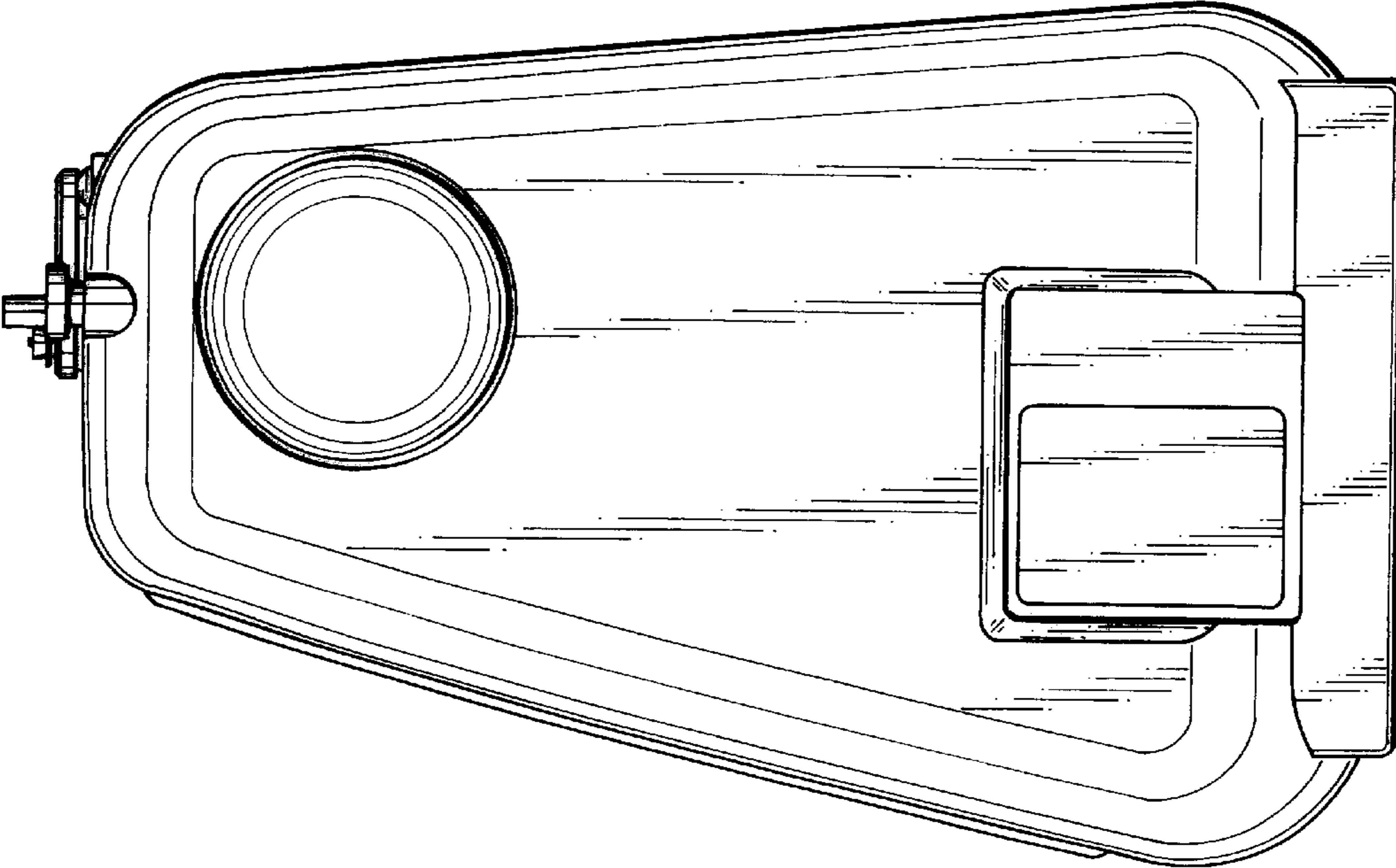


FIG. 5

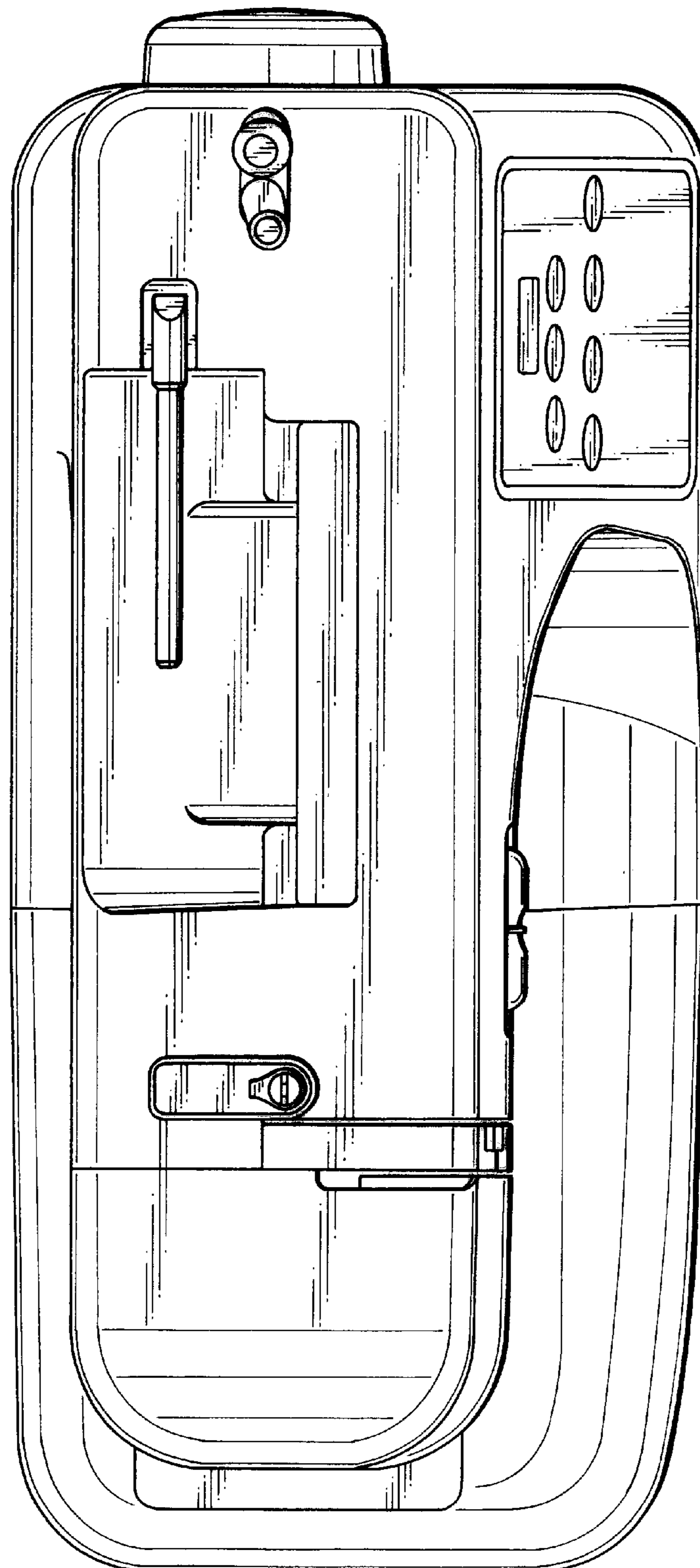


FIG. 6

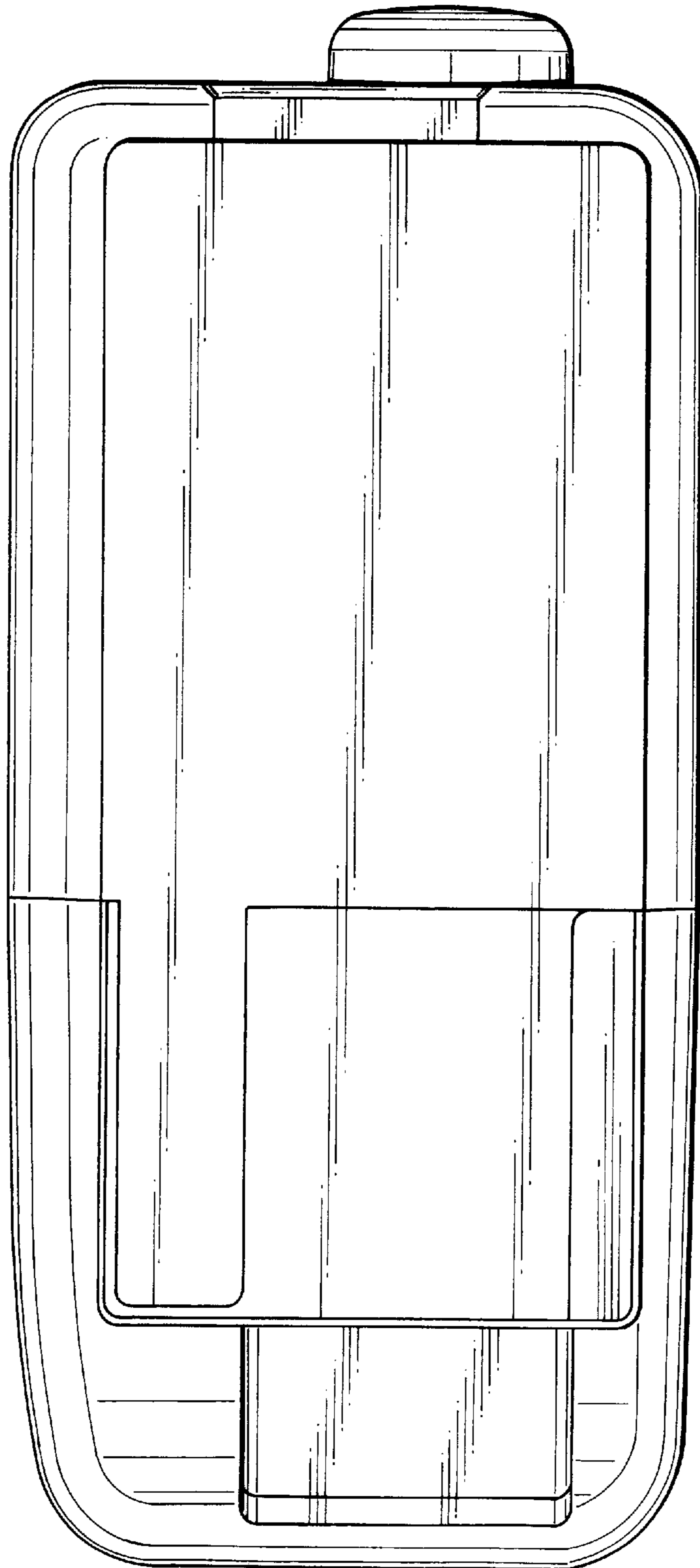


FIG. 7

