



US00D515107S

(12) **United States Design Patent**  
**Kawaguchi**

(10) **Patent No.:** **US D515,107 S**

(45) **Date of Patent:** **\*\* Feb. 14, 2006**

(54) **SEWING MACHINE**

(75) **Inventor:** **Kiyomi Kawaguchi, Tokyo (JP)**

(73) **Assignee:** **Janome Sewing Machine Co., Ltd.,  
Tokyo (JP)**

(\*\*) **Term:** **14 Years**

(21) **Appl. No.:** **29/221,333**

(22) **Filed:** **Jan. 14, 2005**

(30) **Foreign Application Priority Data**

Aug. 10, 2004 (JP) ..... 2004-024023

(51) **LOC (8) Cl.** ..... **15-06**

(52) **U.S. Cl.** ..... **D15/69**

(58) **Field of Classification Search** ..... D15/66,  
D15/68-70; 112/154, 444, 217.1, 217.2,  
112/217.3, 217.4, 258-260; D21/527  
See application file for complete search history.

(56) **References Cited**

**U.S. PATENT DOCUMENTS**

- D359,965 S \* 7/1995 Nakajima et al. .... D15/69
- D403,333 S \* 12/1998 Takada et al. .... D15/70
- D450,720 S \* 11/2001 Kuroki ..... D15/69
- D450,722 S \* 11/2001 Kawaguchi ..... D15/69

- D472,562 S \* 4/2003 Yamamoto et al. .... D15/69
- D474,208 S \* 5/2003 Kawaguchi ..... D15/69
- D481,739 S \* 11/2003 Iwai ..... D15/69
- D483,774 S \* 12/2003 Kuroki ..... D15/69
- D504,444 S \* 4/2005 Kuroki ..... D15/69
- D504,692 S \* 5/2005 Kuroki ..... D15/69
- D506,478 S \* 6/2005 Kuroki ..... D15/70

\* cited by examiner

*Primary Examiner*—Nanda Bondade

*Assistant Examiner*—Shanda C. Hill

(74) *Attorney, Agent, or Firm*—McGinn IP Law Group, PLLC

(57) **CLAIM**

The ornamental design for a sewing machine, as shown and described.

**DESCRIPTION**

FIG. 1 is a front elevational view of a sewing machine showing my design;  
 FIG. 2 is a rear elevational view thereof;  
 FIG. 3 is a left side elevational view thereof;  
 FIG. 4 is a right side elevational view thereof;  
 FIG. 5 is a top plan view thereof;  
 FIG. 6 is a bottom plan view thereof; and,  
 FIG. 7 is a perspective view thereof.

**1 Claim, 7 Drawing Sheets**

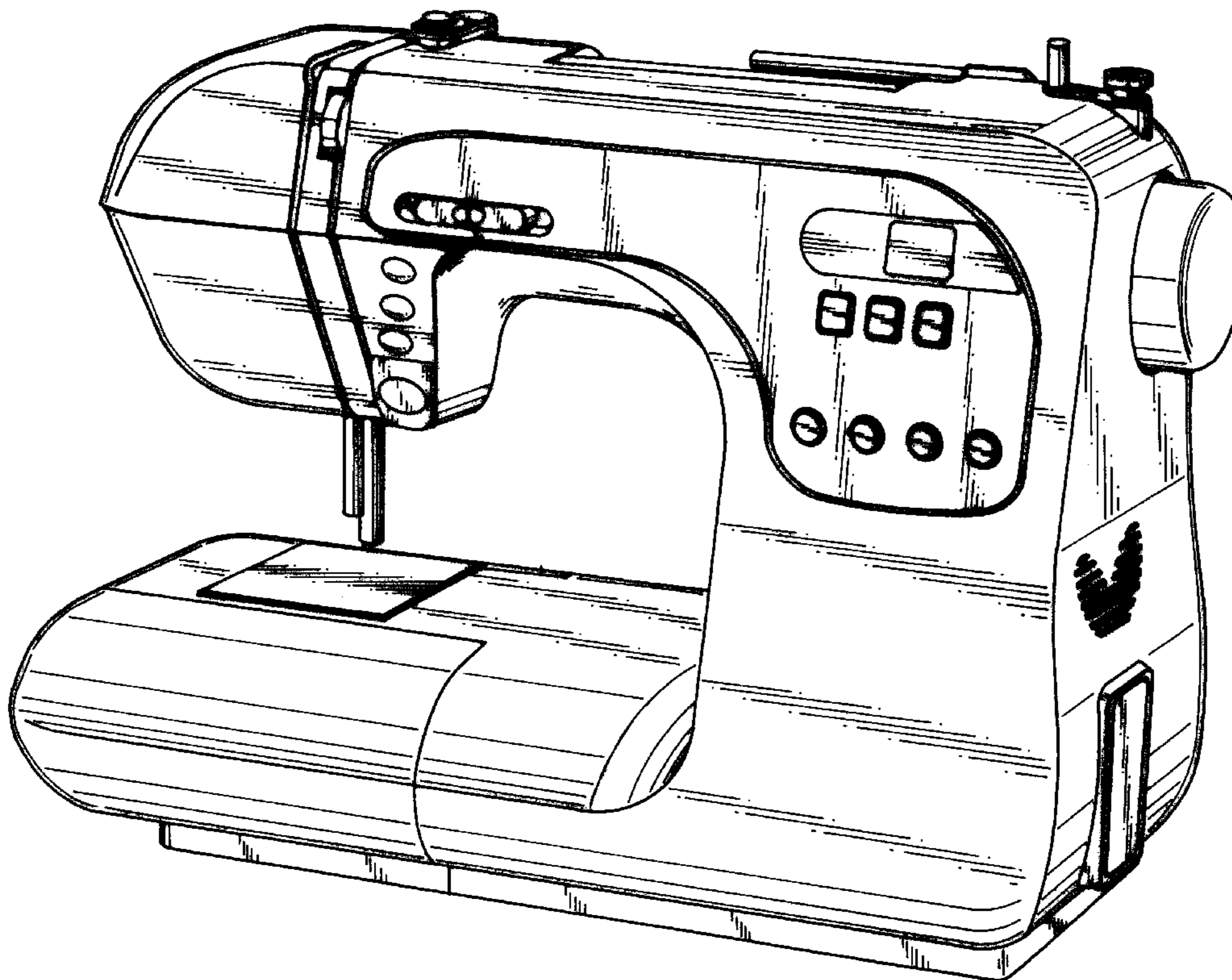


FIG. 1

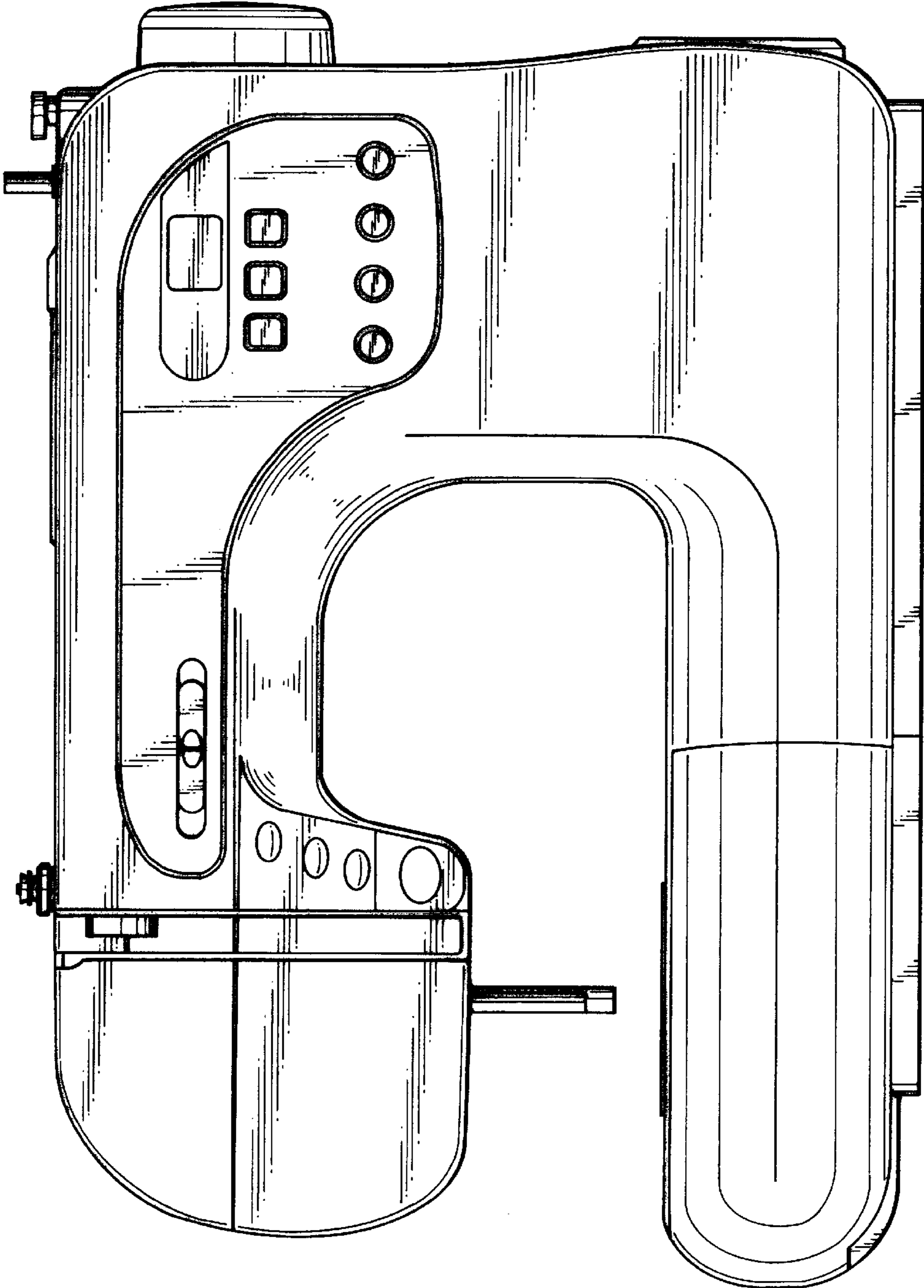
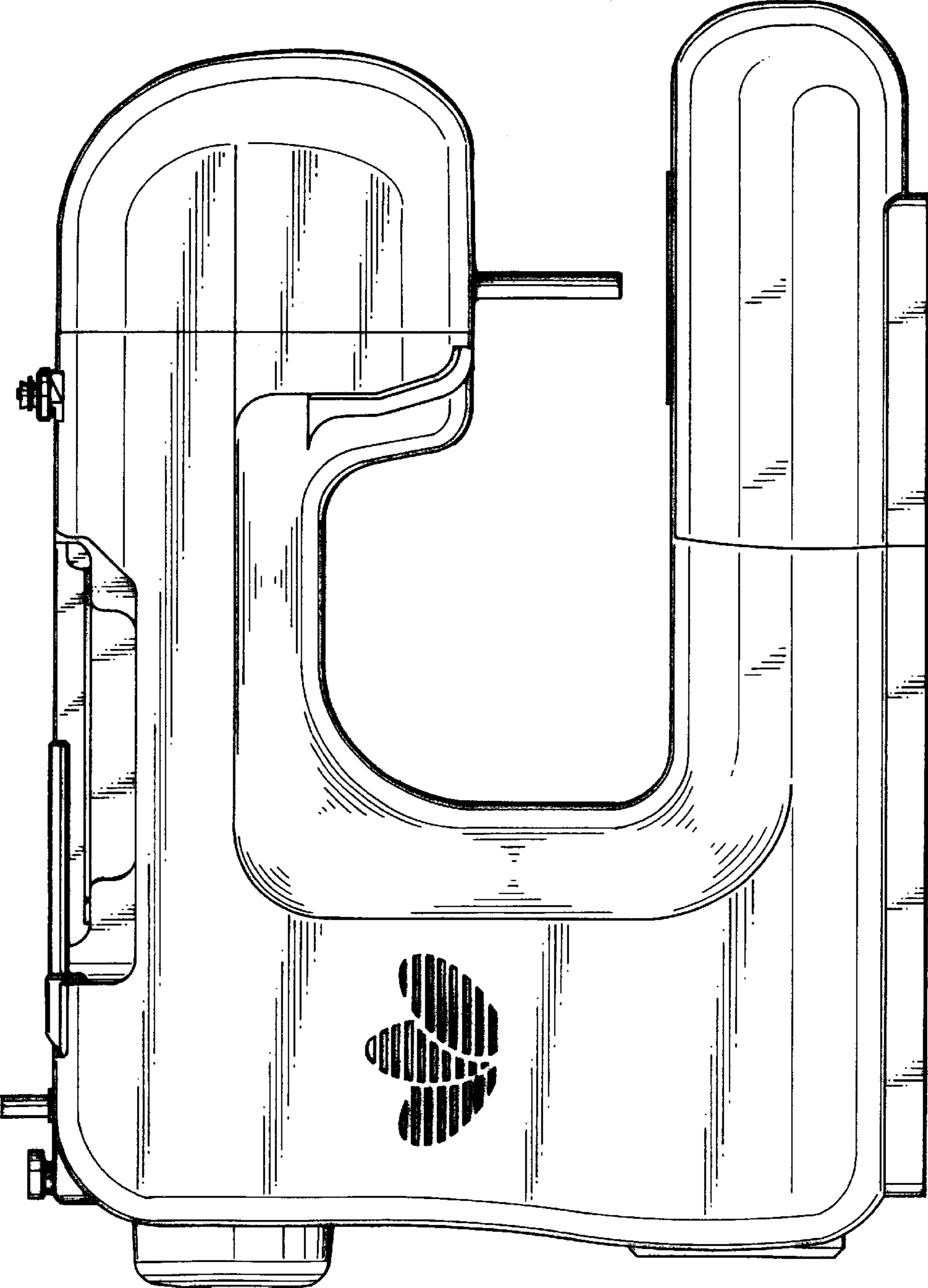
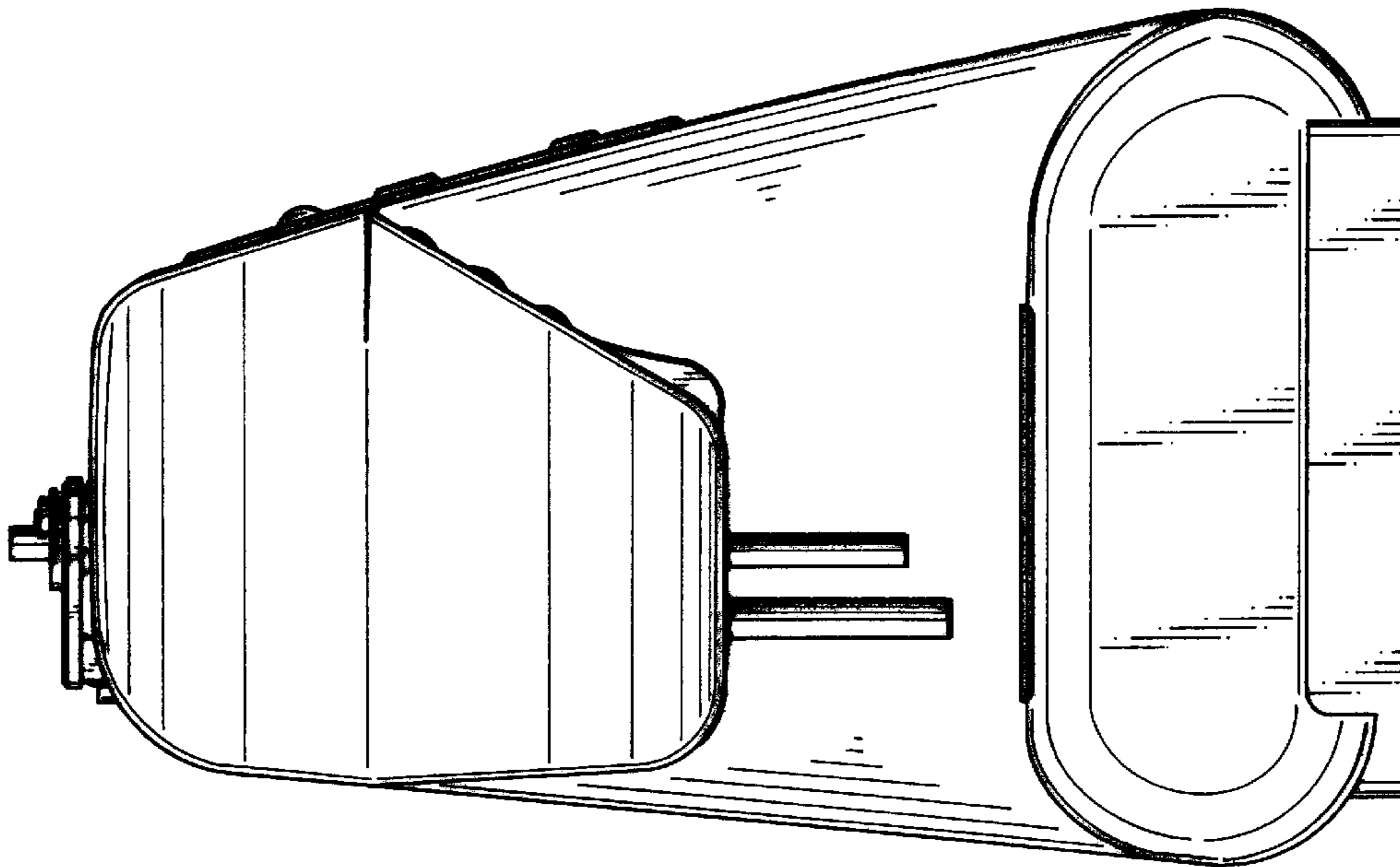


FIG. 2



**FIG. 3**



**FIG. 4**

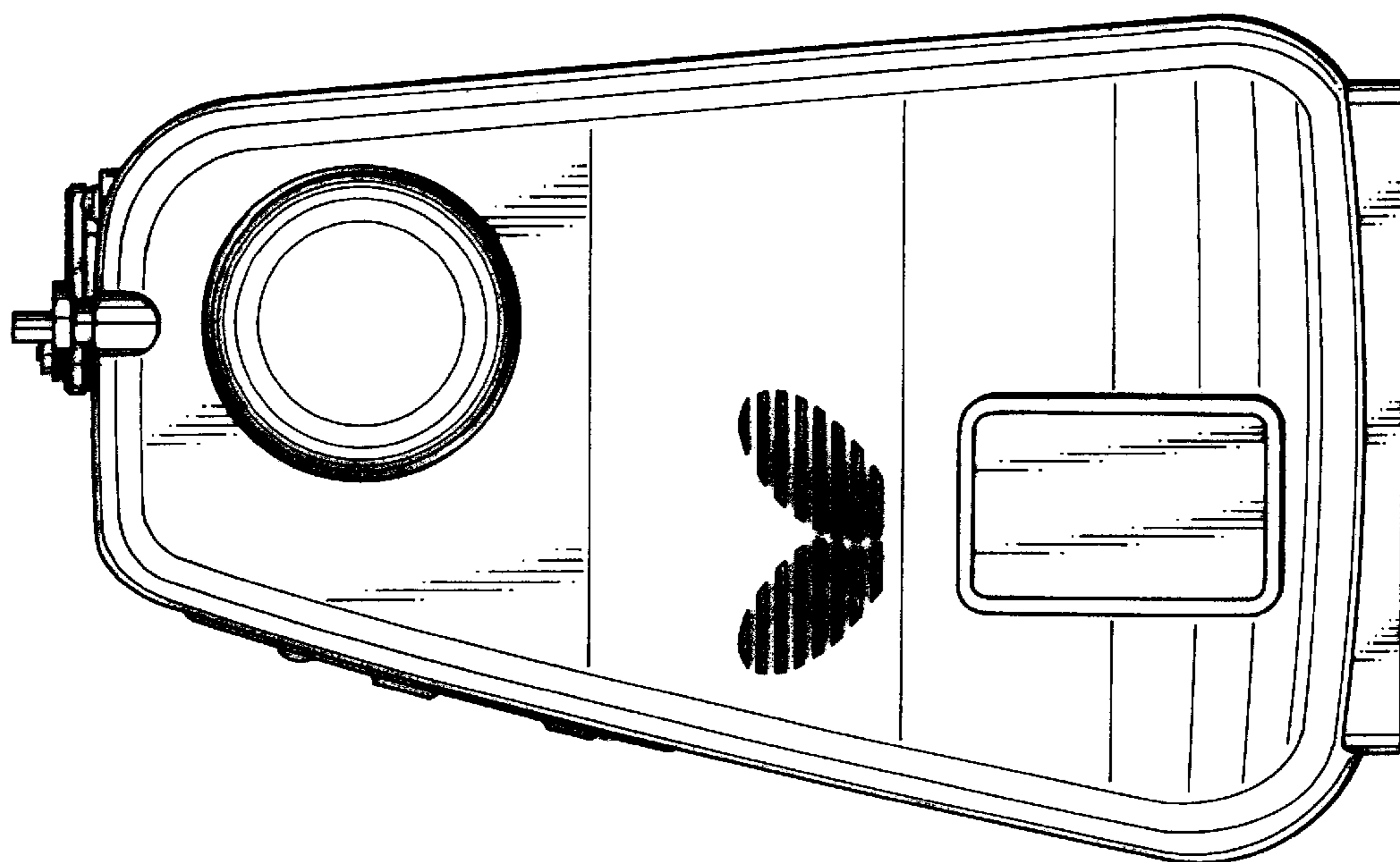
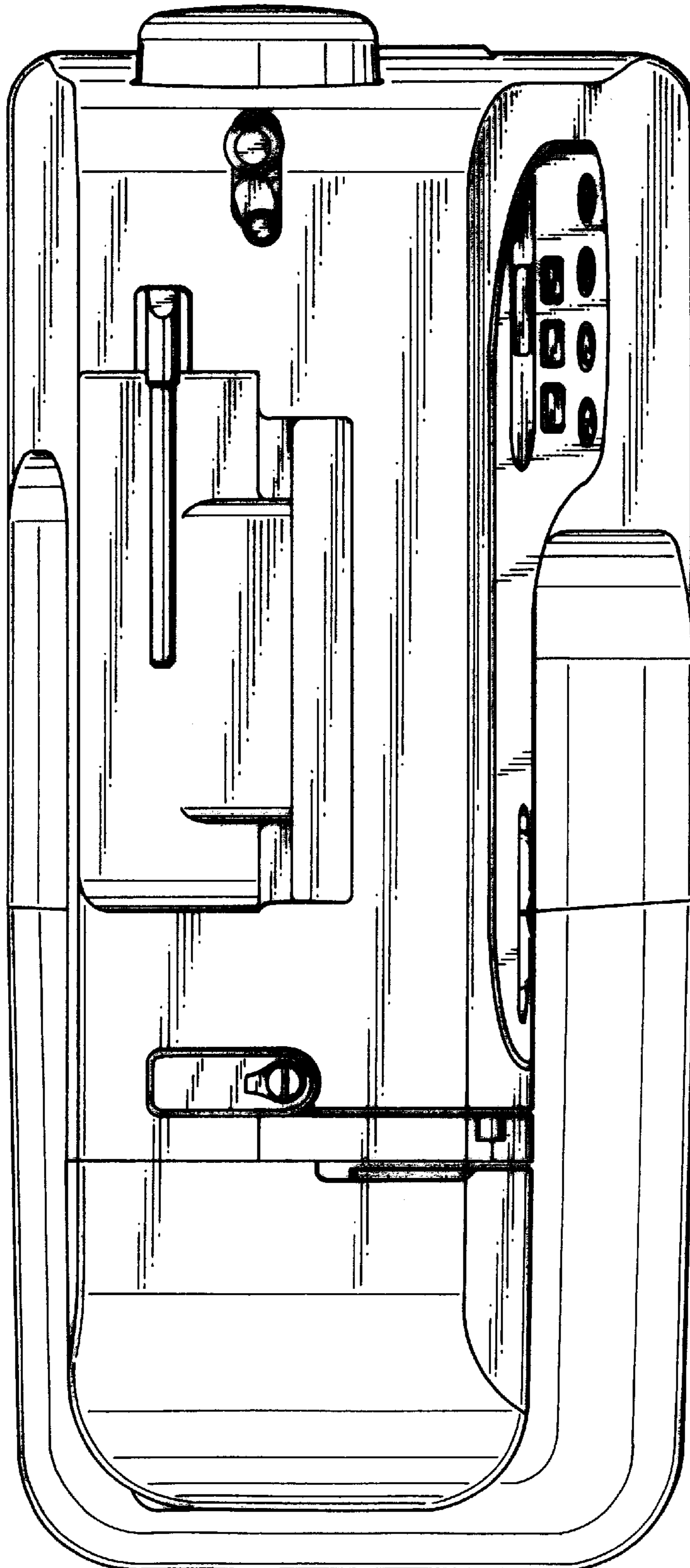


FIG. 5



**FIG. 6**

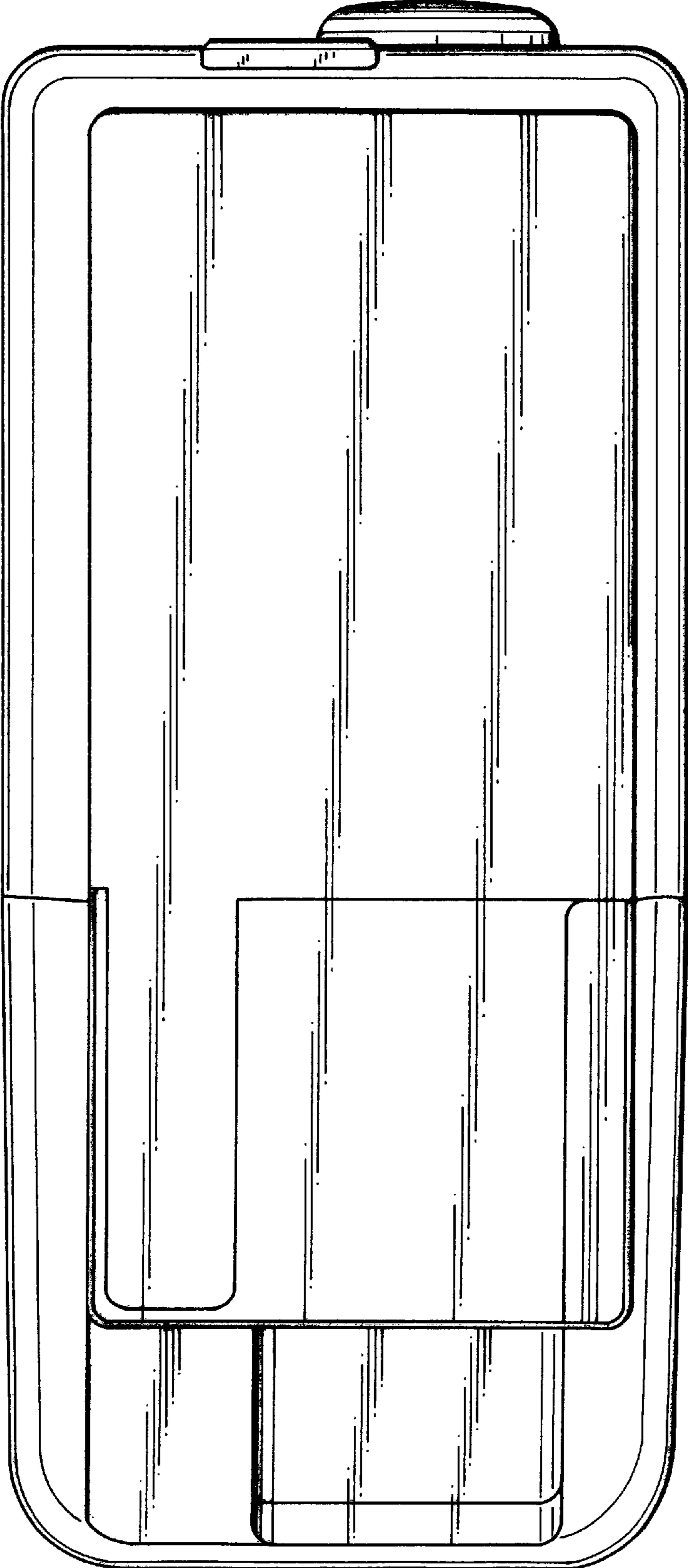


FIG. 7

