



US00D515106S

(12) **United States Design Patent**
Taber

(10) **Patent No.:** **US D515,106 S**

(45) **Date of Patent:** **** Feb. 14, 2006**

(54) **SUN SHADE**

(75) **Inventor:** **Jay David Taber, Sullivan, IL (US)**

(73) **Assignee:** **Agri-Fab Incorporated, Sullivan, IL (US)**

(**) **Term:** **14 Years**

(21) **Appl. No.:** **29/205,527**

(22) **Filed:** **May 17, 2004**

(51) **LOC (8) Cl.** **15-03**

(52) **U.S. Cl.** **D15/28**

(58) **Field of Classification Search** D15/10-28,
D15/30; D12/16, 317, 318; 56/202, 320.1,
56/320.2; 296/102, 116; 135/90, 88.01, 120.1;
180/89.11, 89.12, 900; D7/402; 297/184.15
See application file for complete search history.

(56) **References Cited**

U.S. PATENT DOCUMENTS

- 4,063,318 A * 12/1977 Nicholson 5/656
- 4,846,524 A * 7/1989 Gerber 296/116
- 4,865,381 A * 9/1989 Van Rogue 297/184.15
- D355,424 S * 2/1995 Williams et al. D15/28
- D361,014 S * 8/1995 Baribeau D7/402
- D391,546 S * 3/1998 Frink et al. D12/317

- D392,243 S * 3/1998 Anderson D12/317
- 5,842,732 A * 12/1998 Daggett et al. 296/102
- D408,038 S * 4/1999 Lollis, Jr. D15/17
- D430,579 S * 9/2000 Westendorf et al. D15/28
- D481,398 S * 10/2003 Tokach et al. D15/30

* cited by examiner

Primary Examiner—Mitchell Siegel

Assistant Examiner—Mark A. Goodwin

(74) *Attorney, Agent, or Firm*—Vedder Price Kaufman & Kammholz

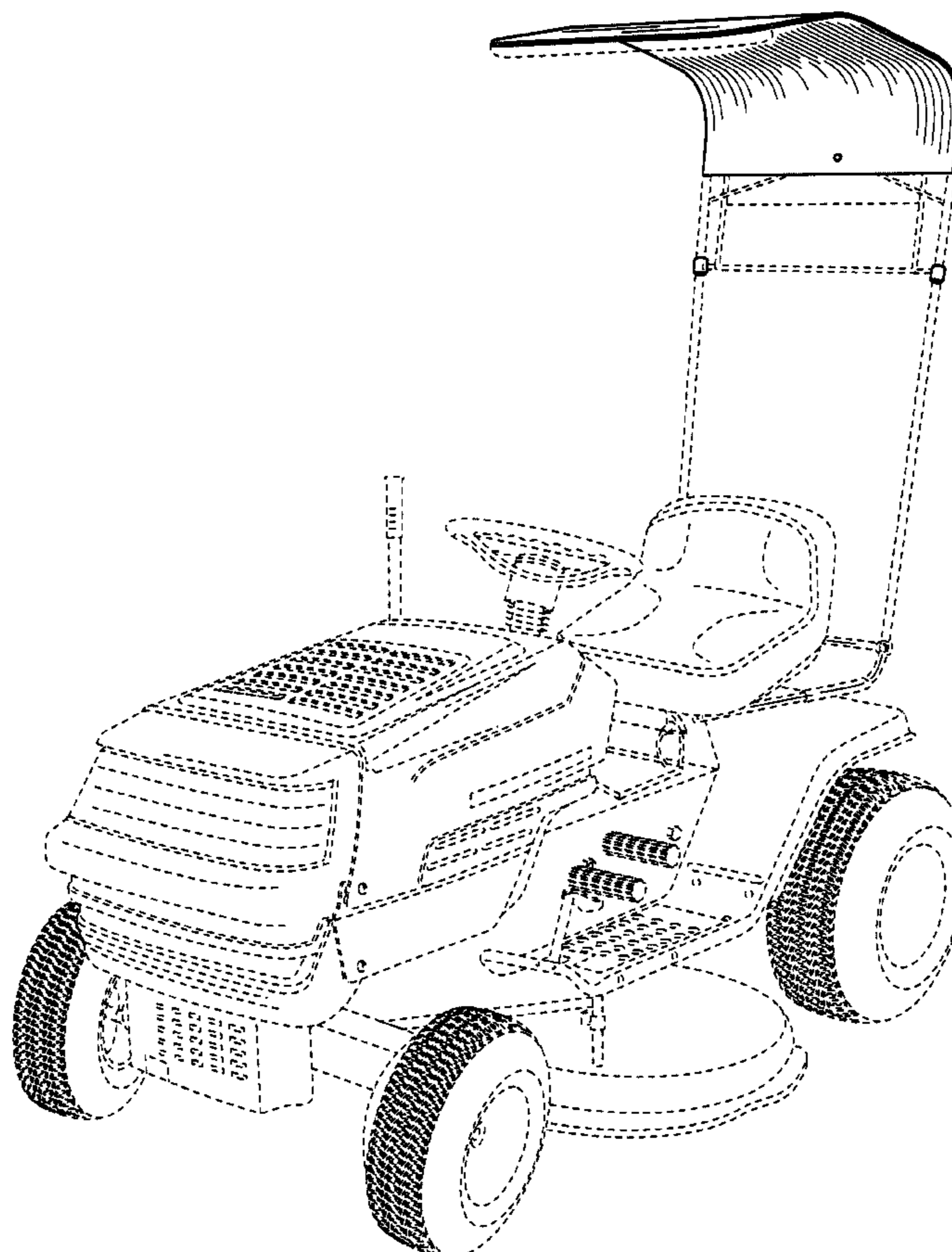
(57) **CLAIM**

The ornamental design for a sun shade, as shown and described.

DESCRIPTION

FIG. 1 is a perspective view of the sun shade showing my new design;
 FIG. 2 is a front view of my invention;
 FIG. 3 is a back view of my invention;
 FIG. 4 is a view of one side of my invention;
 FIG. 5 is a view of the other side of my invention;
 FIG. 6 is a top view of my invention; and,
 FIG. 7 is a bottom view of my invention.
 The broken line showing is for illustrative purposes only and forms no part of the claimed design.

1 Claim, 2 Drawing Sheets



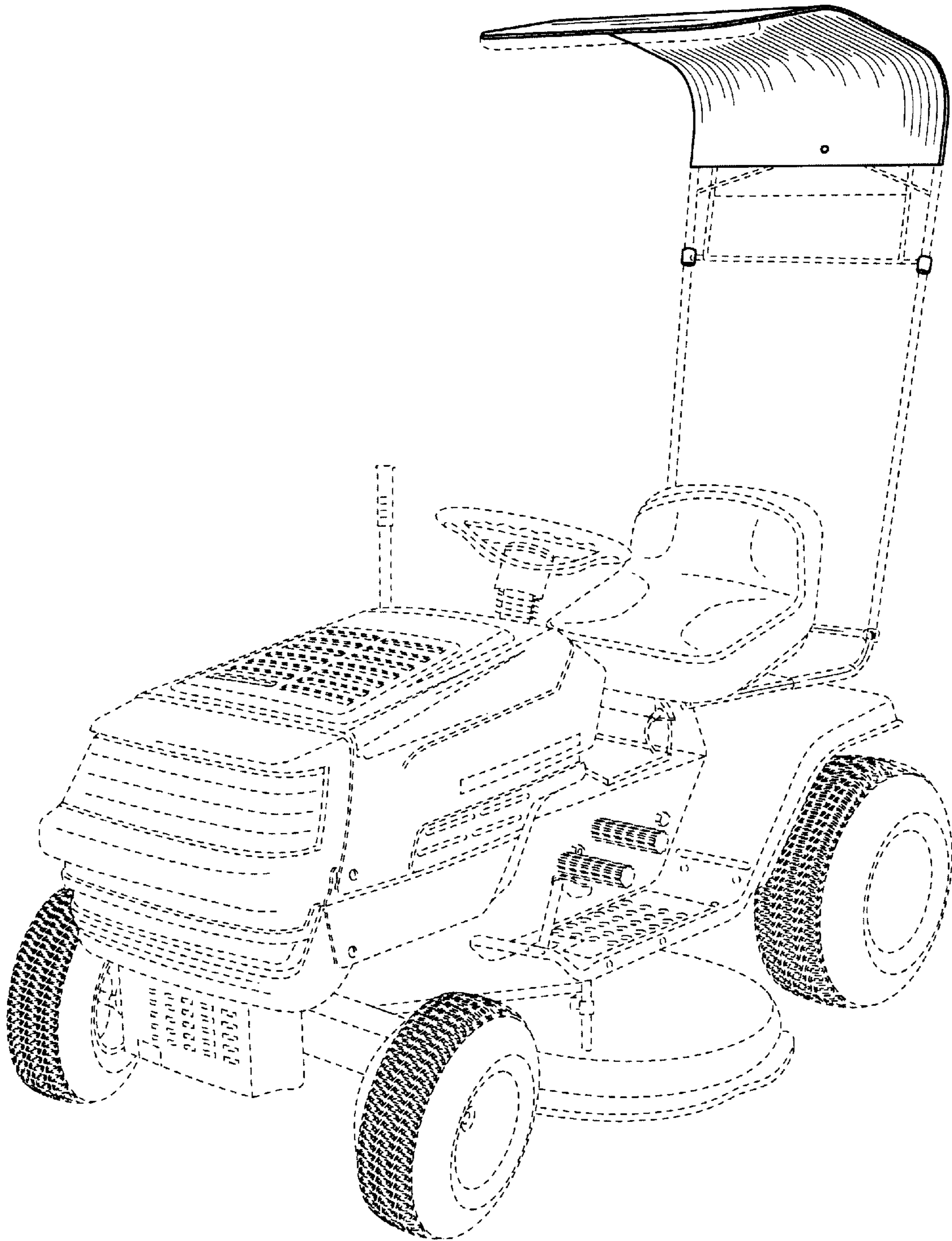


FIG. 1

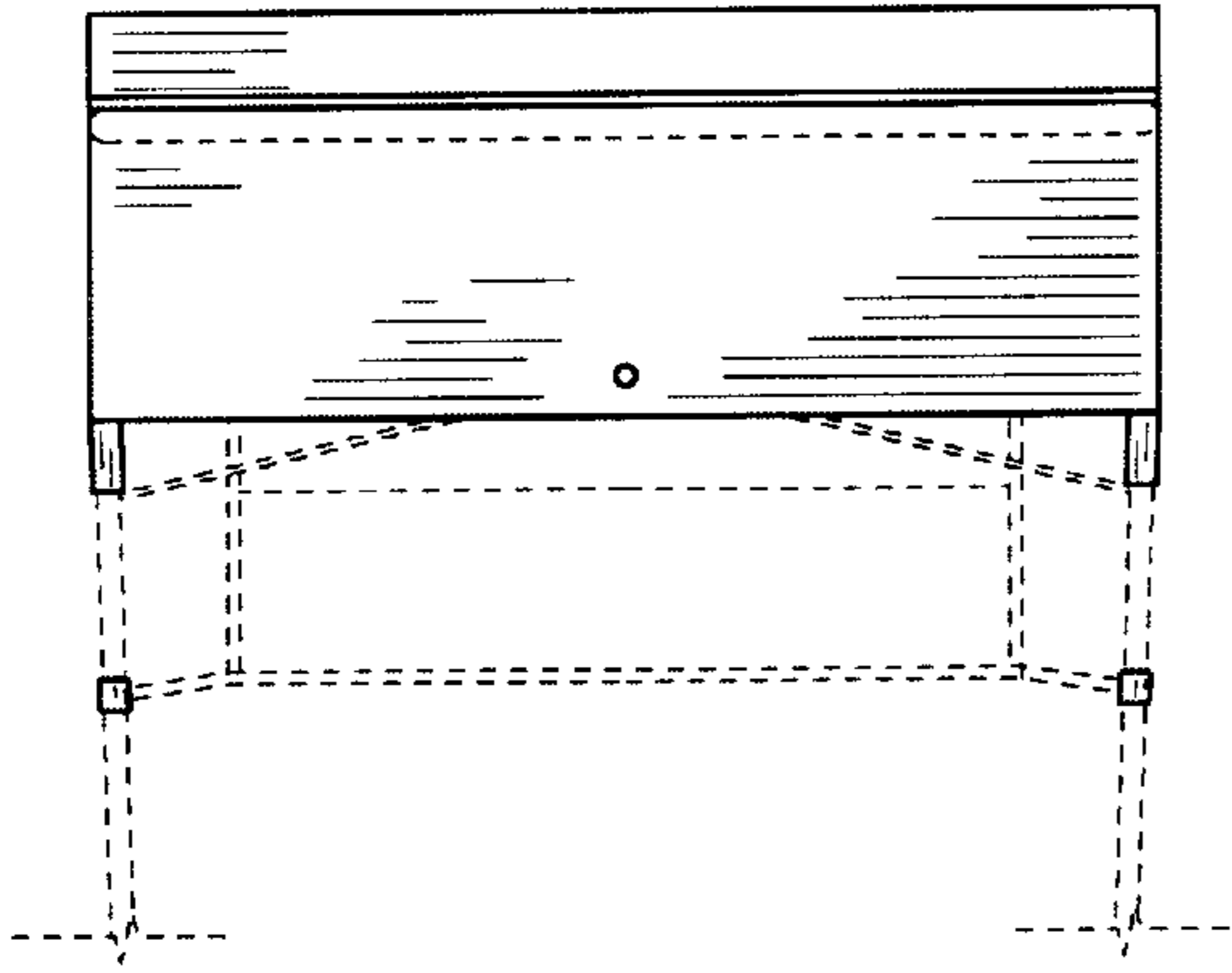


FIG. 2

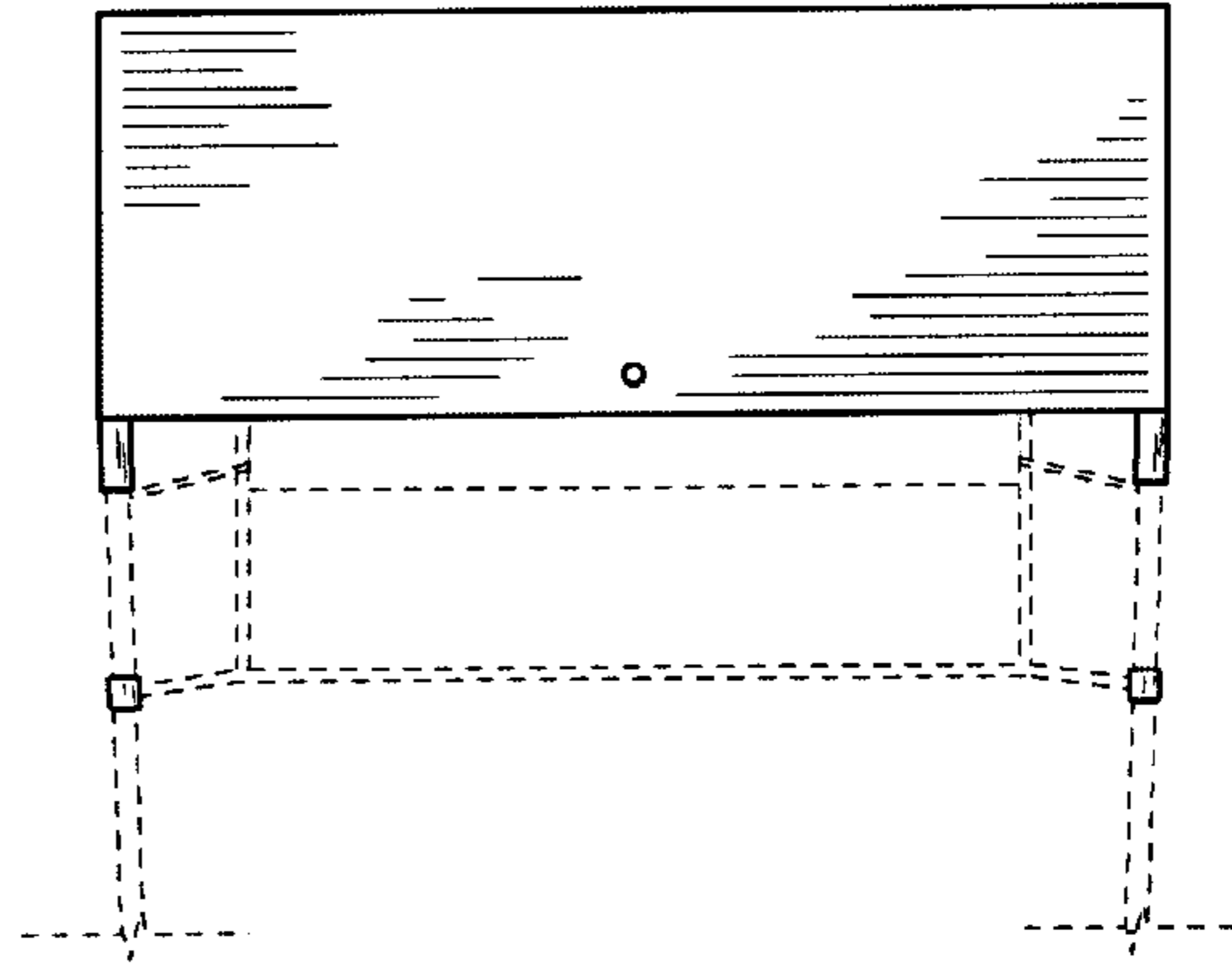


FIG. 3

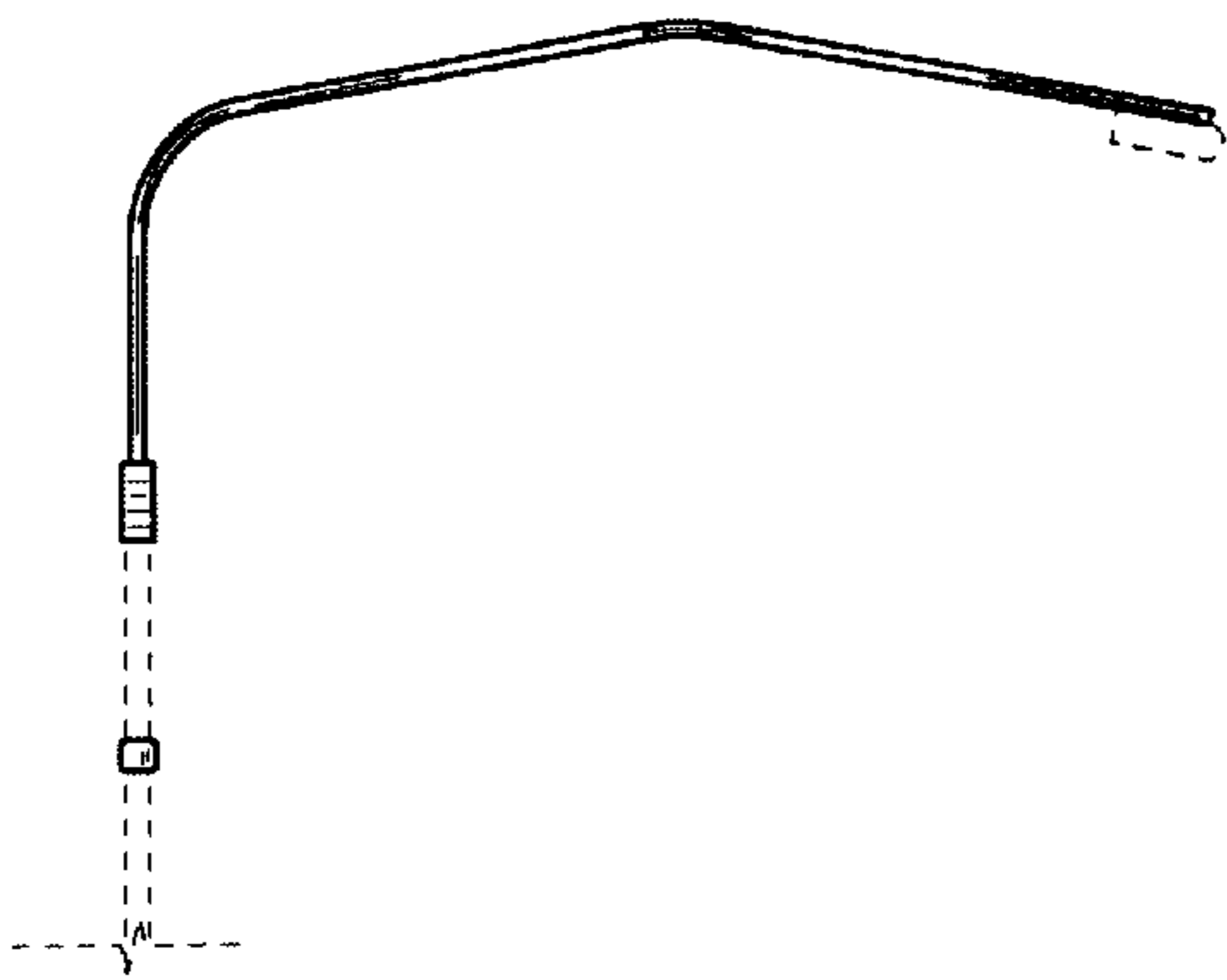


FIG. 4

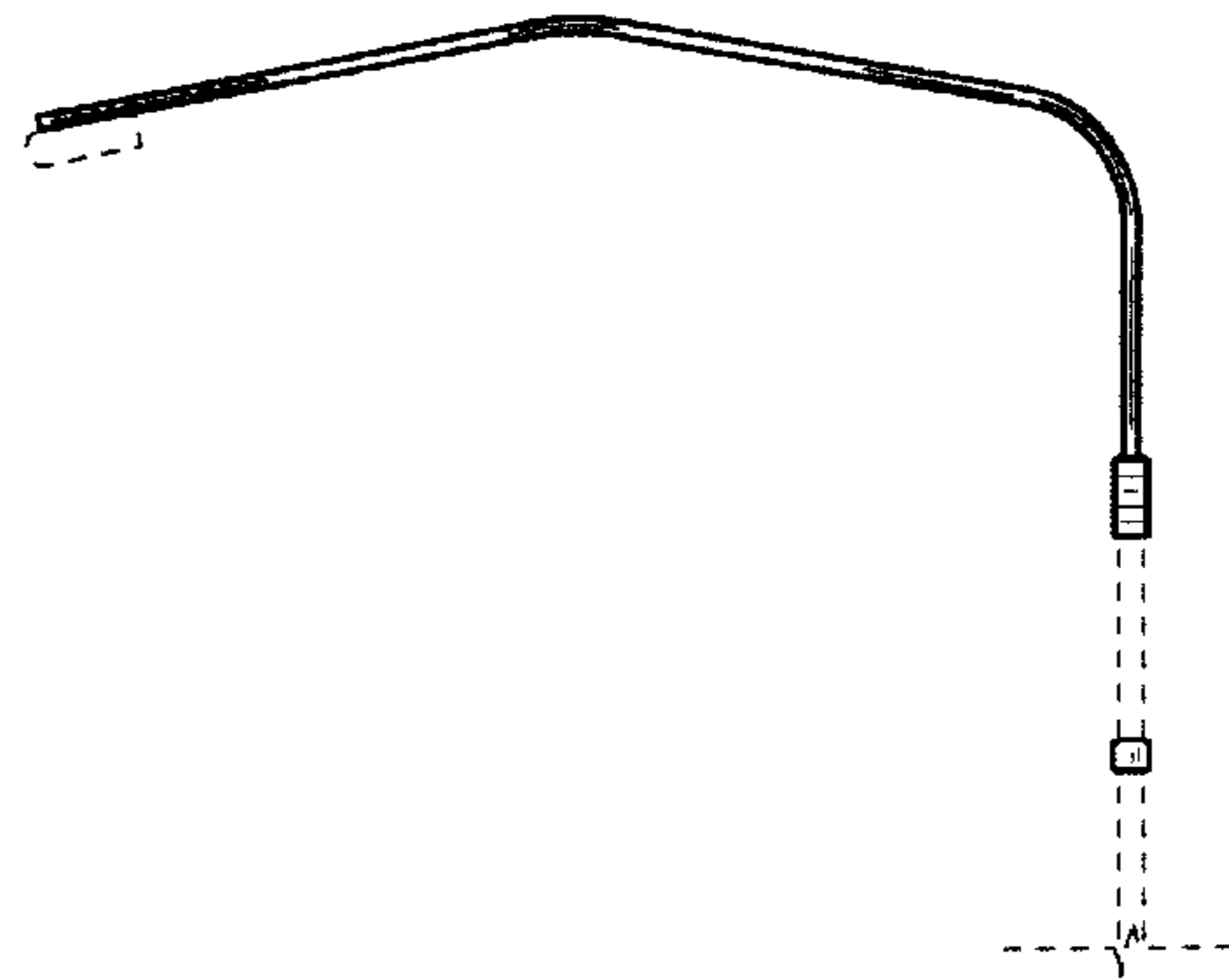


FIG. 5

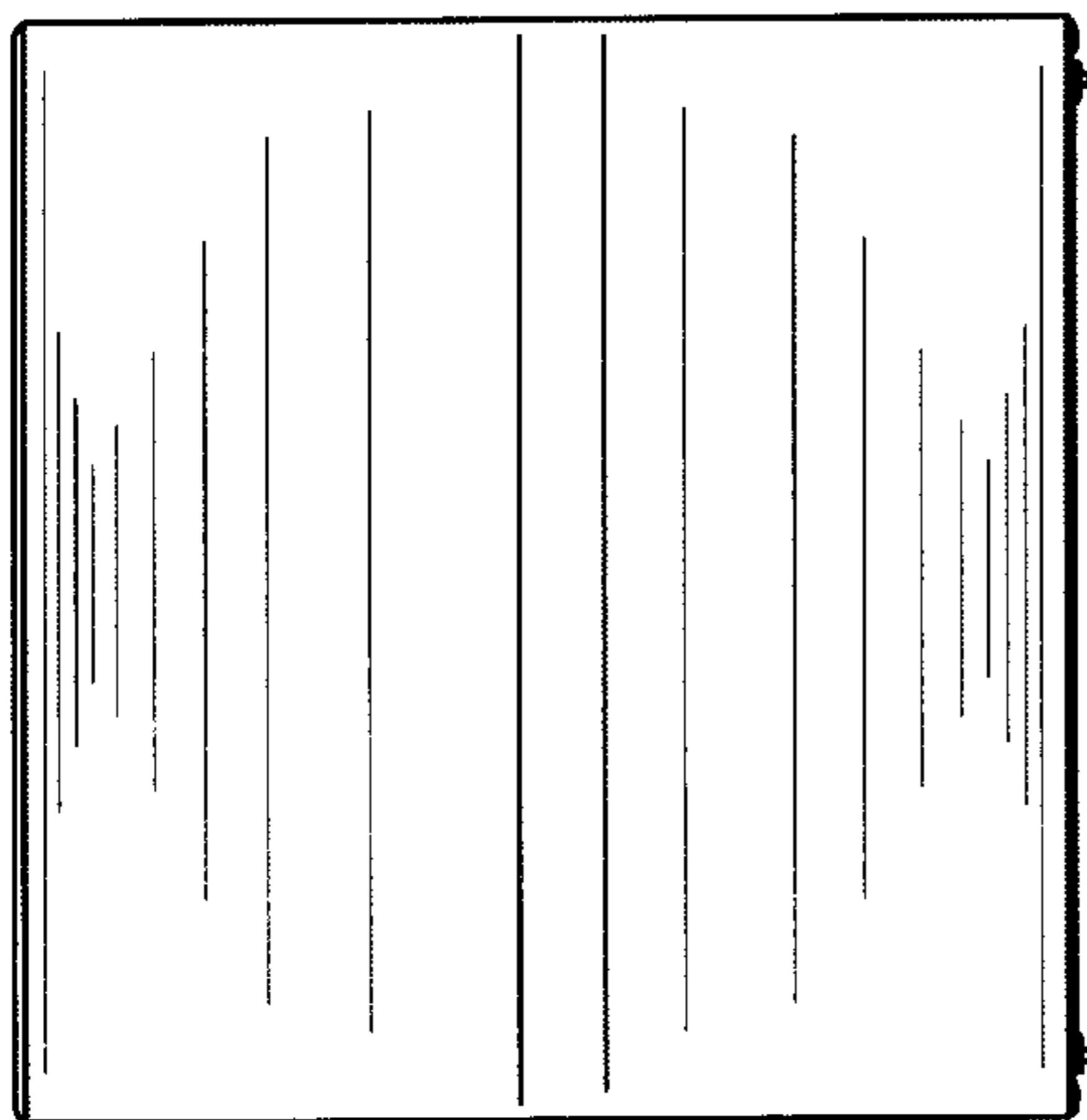


FIG. 6

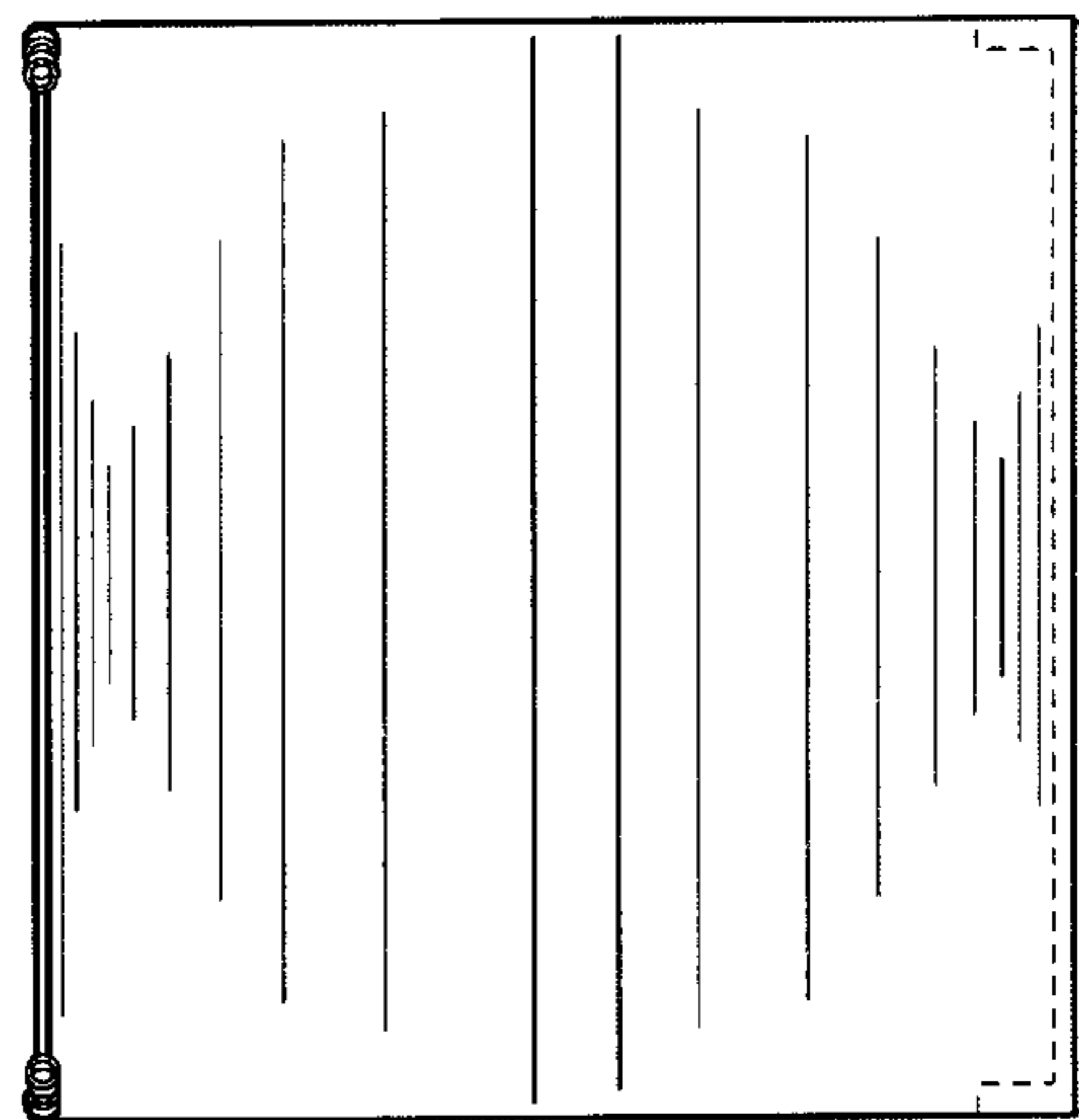


FIG. 7