

US00D515105S

(12) **United States Design Patent**
Wang et al.

(10) **Patent No.: US D515,105 S**
(45) **Date of Patent: ** Feb. 14, 2006**

(54) **TRACTOR**

D274,524 S * 7/1984 Koval et al. D15/23
D355,423 S * 2/1995 Woods et al. D15/23

(75) Inventors: **Jinfu Wang**, Weifang (CN); **Zhi Chi**,
Weifang (CN); **Jinguang Zhu**, Weifang
(CN); **Minge Chen**, Weifang (CN);
Jinhua Wang, Weifang (CN);
Wenzhong Liu, Weifang (CN); **Yuanfu**
Wang, Weifang (CN); **Zhengyu Li**,
Weifang (CN)

* cited by examiner

Primary Examiner—Stella Reid
Assistant Examiner—Mark A. Goodwin
(74) *Attorney, Agent, or Firm*—Suiter West Swantz pc llo

(73) Assignee: **Shandong Foton Heavy Industries,**
Co., Ltd. (CN)

(57) **CLAIM**

We claim the ornamental design for a tractor, as shown and described.

(**) Term: **14 Years**

DESCRIPTION

(21) Appl. No.: **29/220,200**

FIG. 1 is a perspective view of a tractor showing our new design;

(22) Filed: **Dec. 28, 2004**

FIG. 2 is a rear elevation view thereof;

(51) **LOC (8) Cl.** **15-03**

FIG. 3 is a right side elevation view thereof;

(52) **U.S. Cl.** **D15/22**

FIG. 4 is a left side elevation view thereof;

(58) **Field of Classification Search** D15/10,
D15/22–26, 28, 30, 33; 180/89.1, 89.12,
180/292, 900

FIG. 5 is a front elevation view thereof;

FIG. 6 is a top plan view thereof; and,

FIG. 7 is a bottom plan view thereof.

See application file for complete search history.

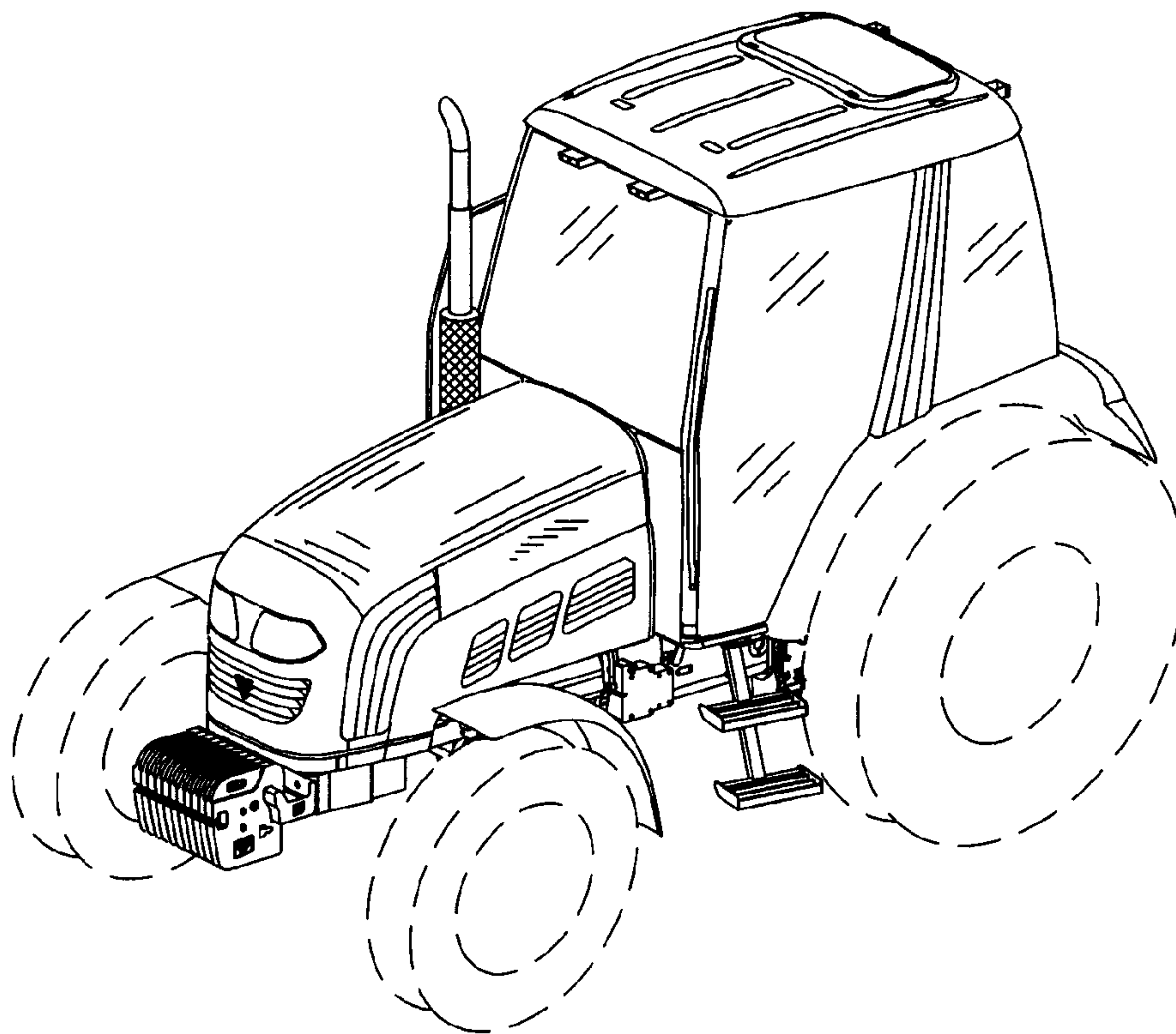
The broken line showing of wheels in FIGS. 1–7 is for illustrative purposes only and forms no part of the claimed design.

(56) **References Cited**

U.S. PATENT DOCUMENTS

D247,624 S * 3/1978 Emundts et al. D15/23

1 Claim, 5 Drawing Sheets



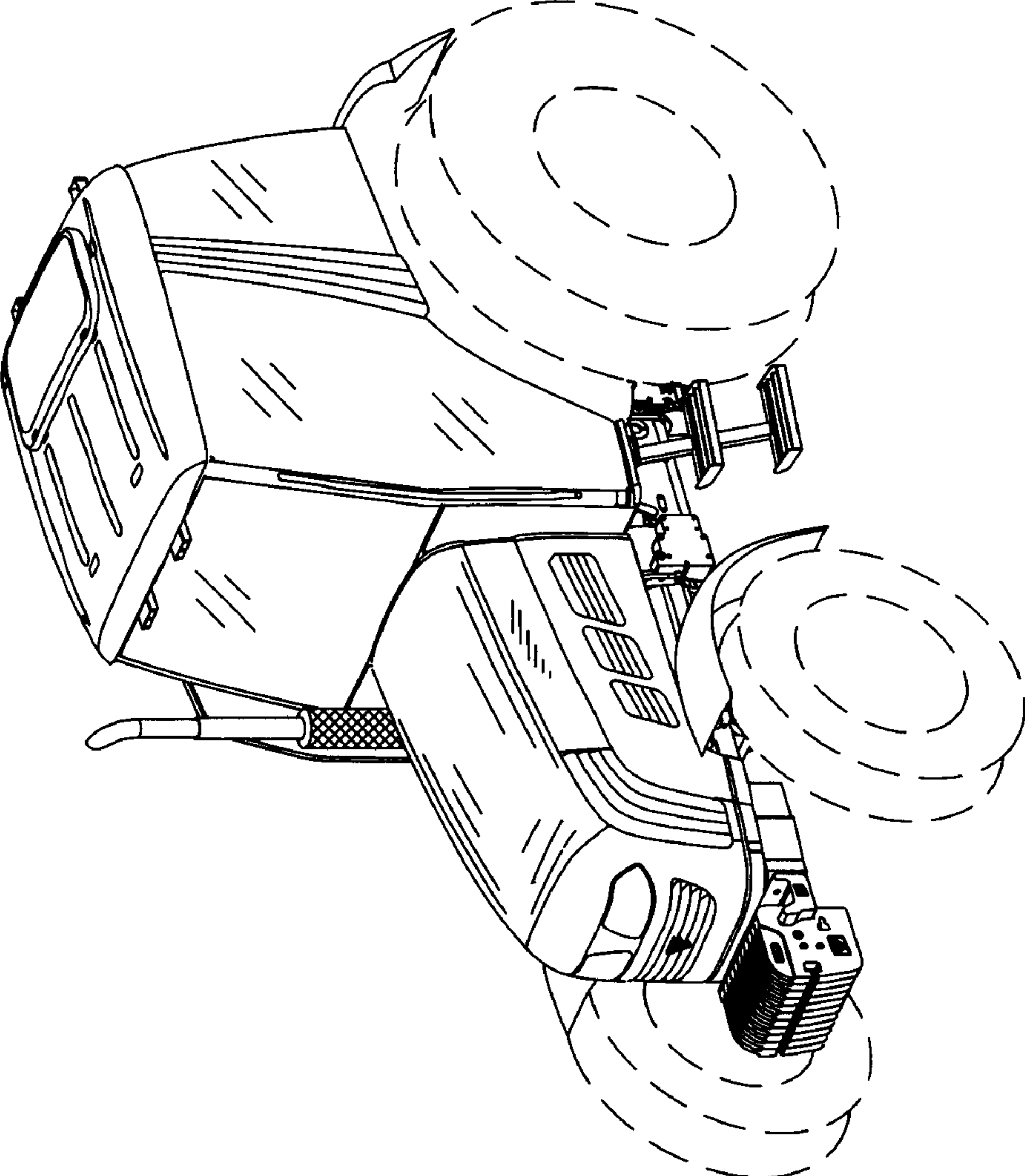


FIG. 1

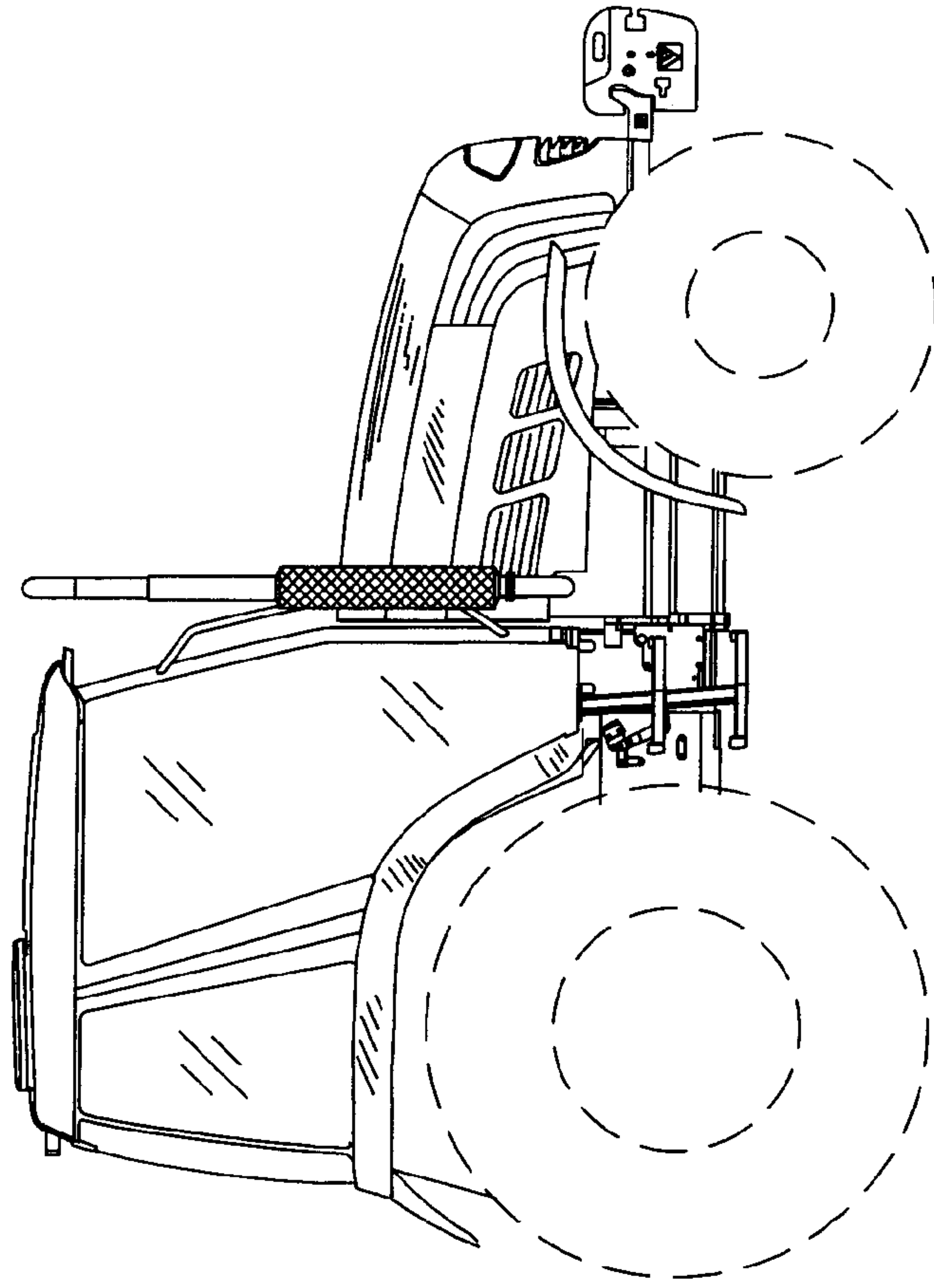


FIG. 2

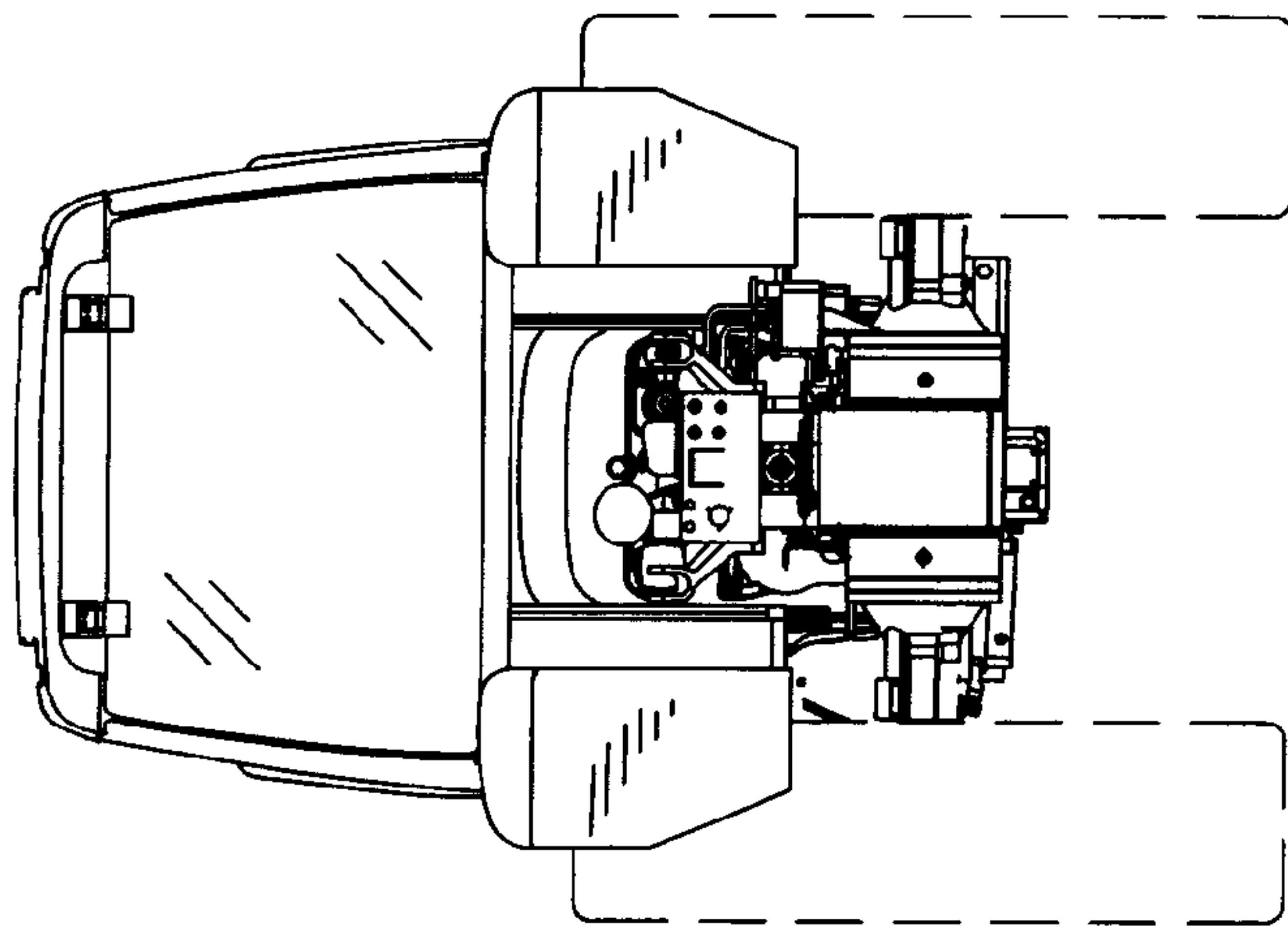


FIG. 3

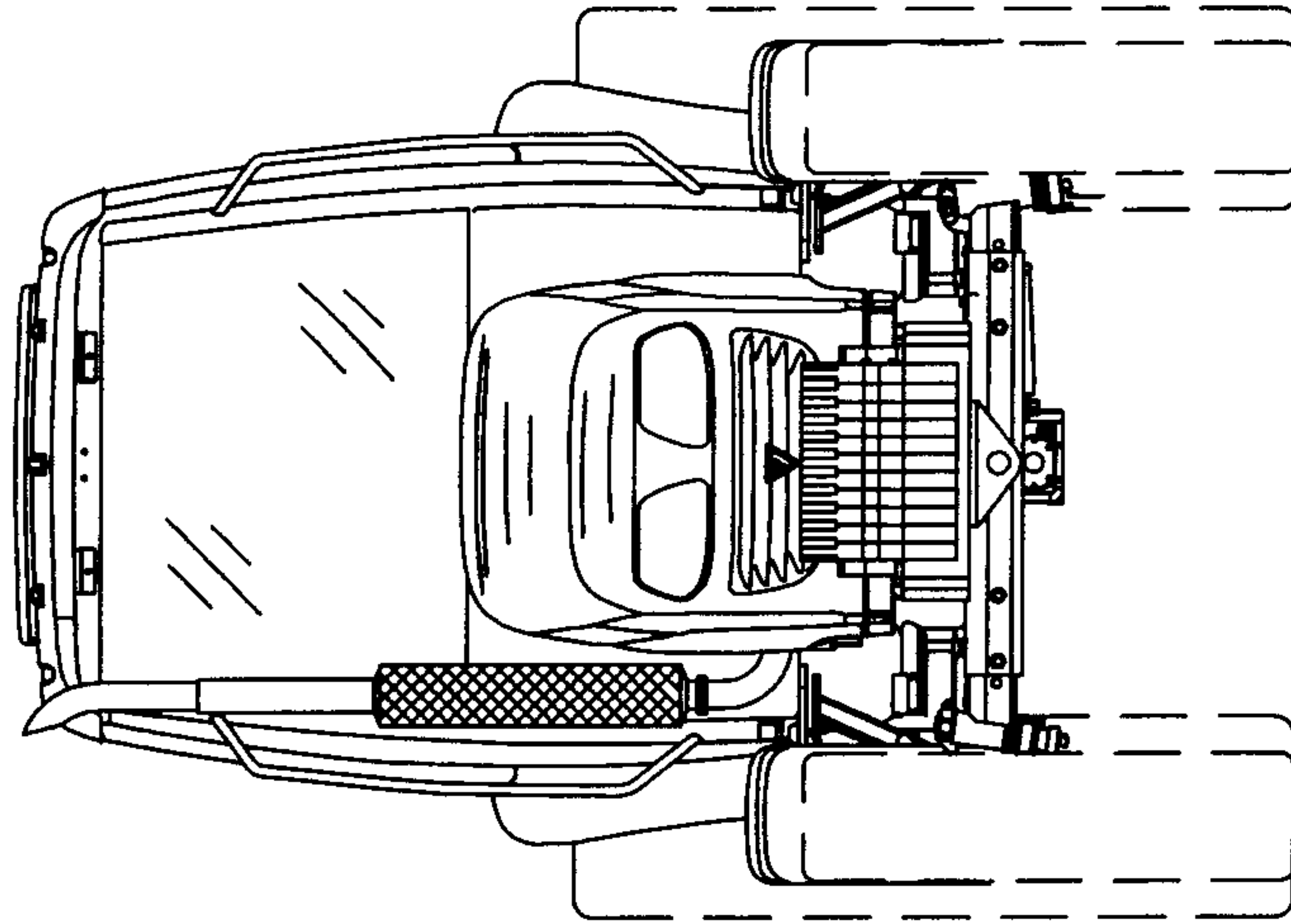


FIG. 4

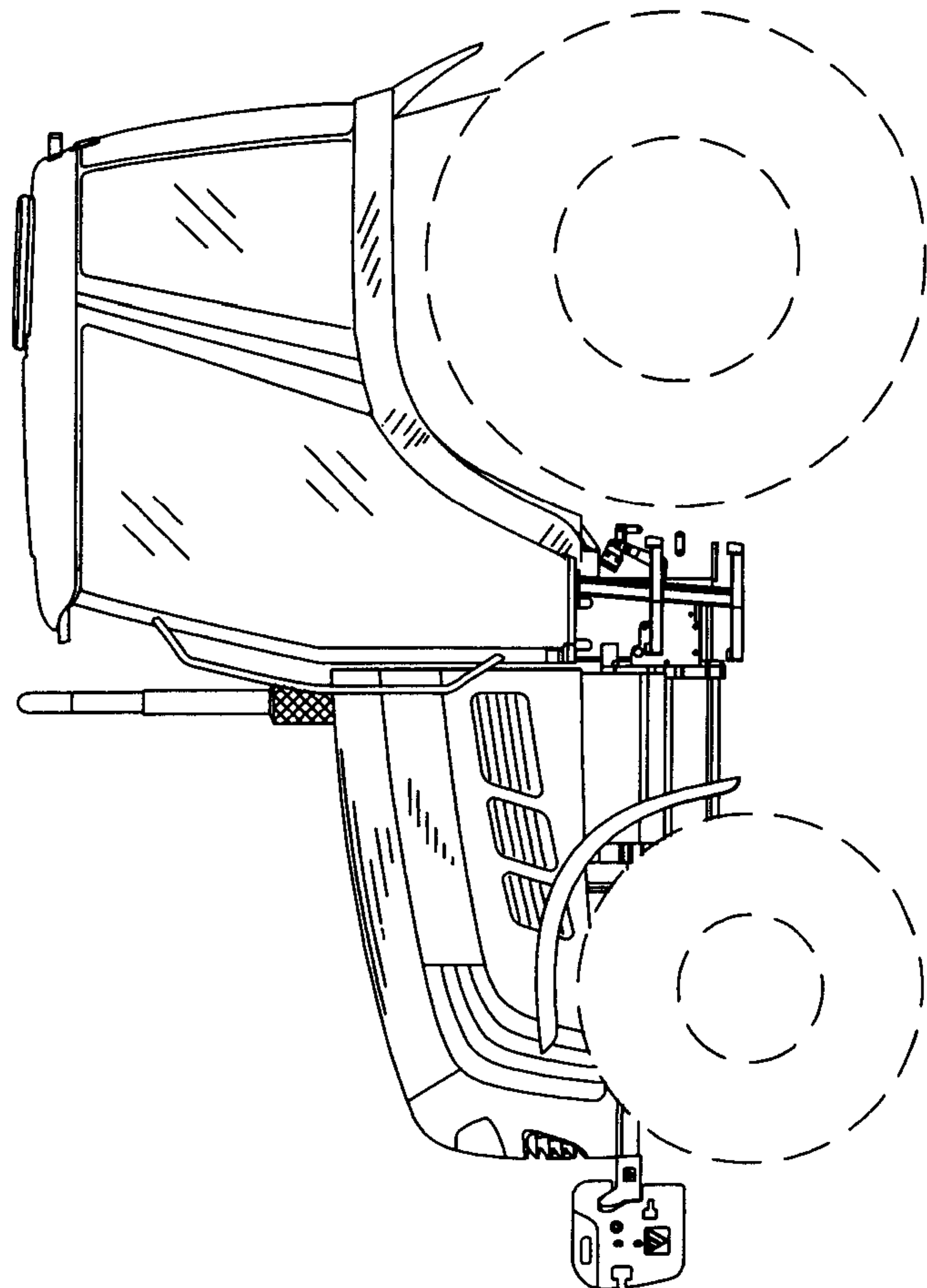


FIG. 5

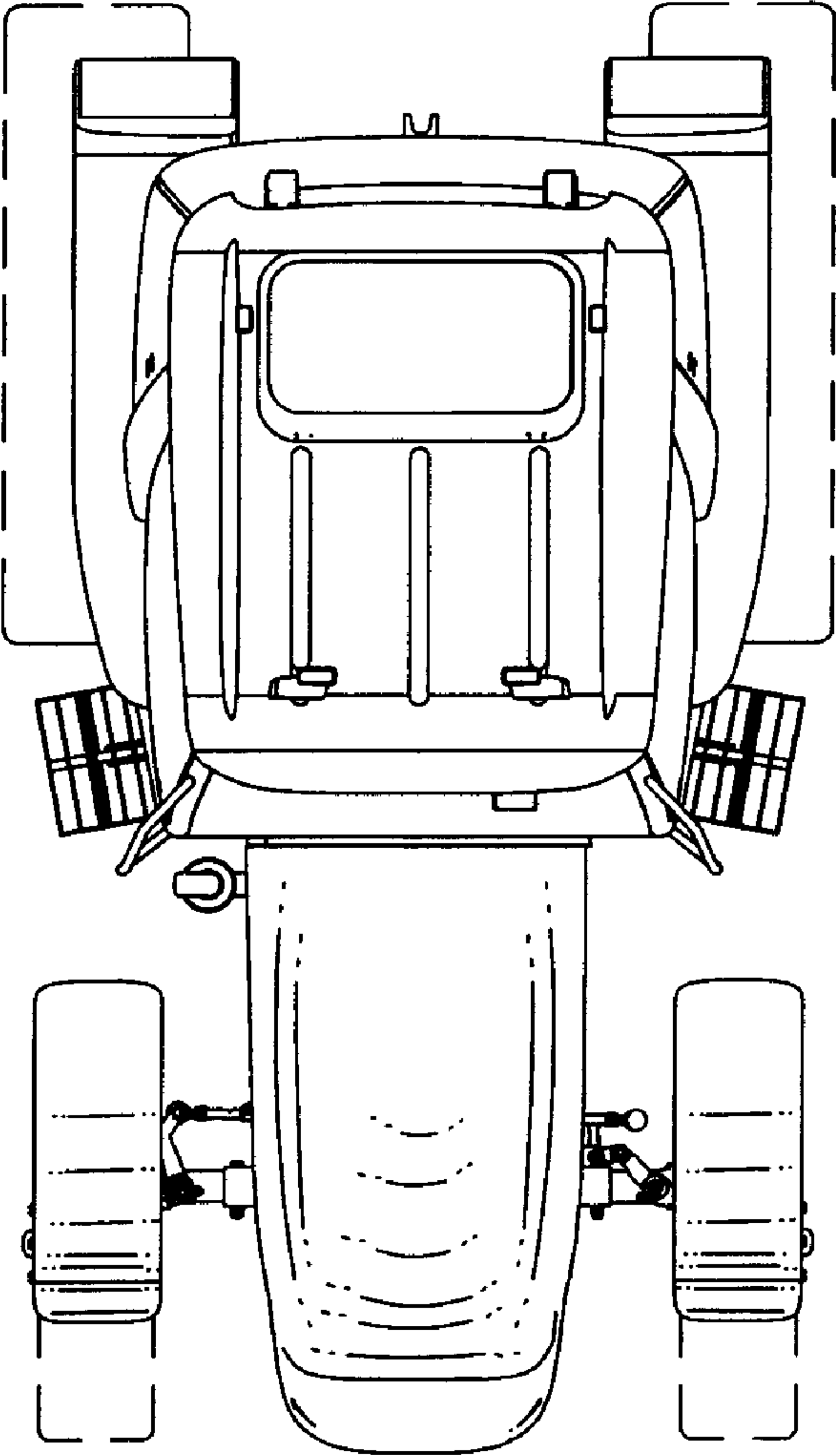


FIG. 6

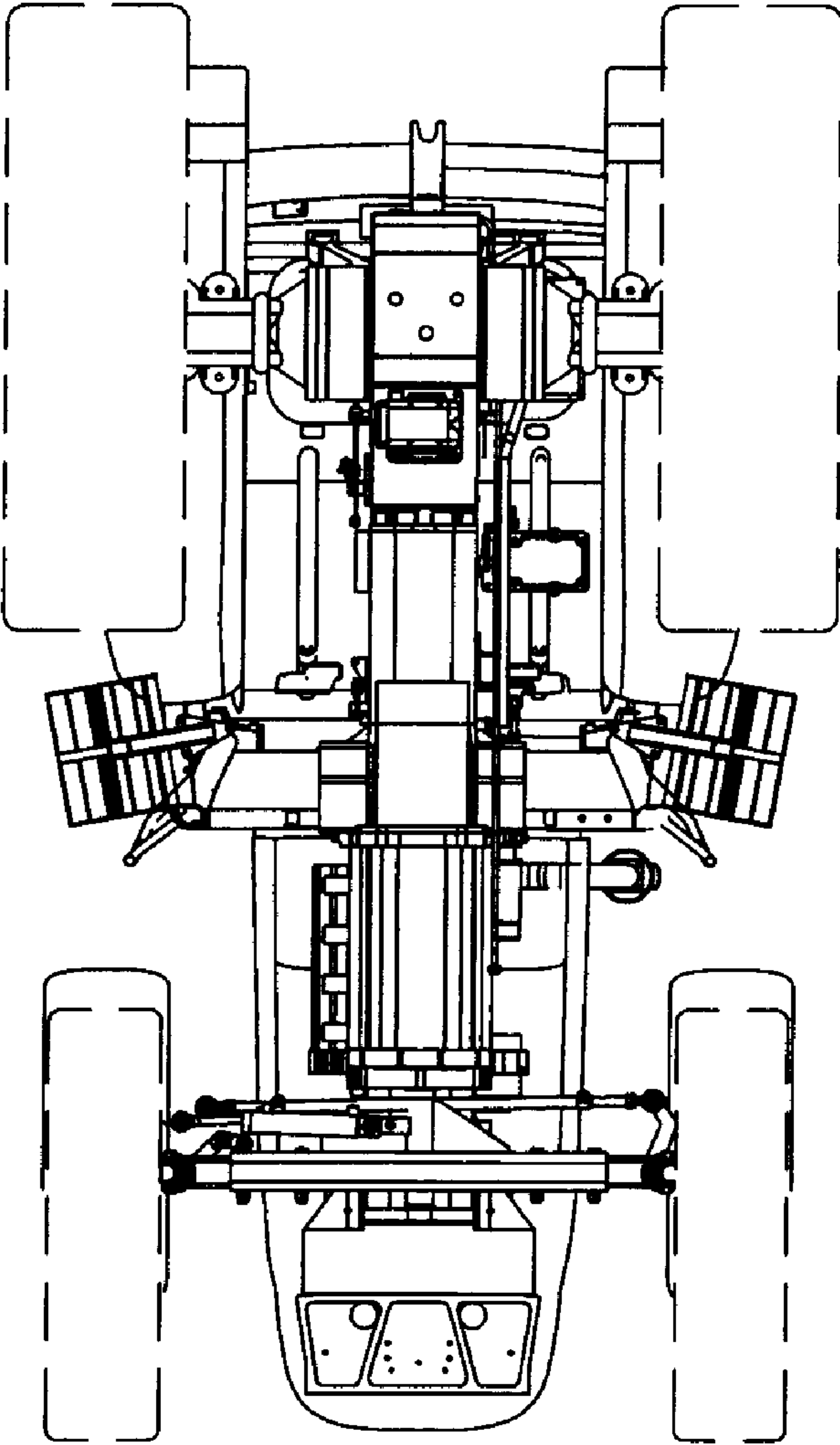


FIG. 7