



US00D515104S

(12) **United States Design Patent**
Fujiki et al.

(10) **Patent No.: US D515,104 S**
(45) **Date of Patent: ** Feb. 14, 2006**

(54) **BLADE FOR SPIRAL WING SHAFT FOR MIXERS**

D462,702 S * 9/2002 Neuerburg D15/28

FOREIGN PATENT DOCUMENTS

(75) Inventors: **Terumi Fujiki**, Fuchu (JP); **Yoshihiro Kuroda**, Fuchu (JP); **Hiroki Miyagaki**, Fuchu (JP)

DE 197 03 495 C2 1/1999

* cited by examiner

(73) Assignee: **Kabushiki Kaisha Kitagawa Tekkosho**, Fuchu (JP)

Primary Examiner—Mitchell Siegel
Assistant Examiner—Mark A. Goodwin

(**) Term: **14 Years**

(74) *Attorney, Agent, or Firm*—Frishauf, Holtz, Goodman & Chick, P.C.

(21) Appl. No.: **29/207,772**

(57) **CLAIM**

(22) Filed: **Jun. 17, 2004**

The ornamental design for a blade for spiral wing shaft for mixers, as shown and described.

(30) **Foreign Application Priority Data**

DESCRIPTION

Dec. 17, 2003 (JP) 2003-037283

(51) **LOC (8) Cl.** **15-03**

FIG. 1 is a front view of a blade for spiral wing shaft for mixers showing our new design;

(52) **U.S. Cl.** **D15/19; D15/28**

FIG. 2 is a rear view thereof;

(58) **Field of Classification Search** D15/17,

FIG. 3 is a top plan view thereof;

D15/19, 21, 28, 29, 32, 11; 366/341, 343,

FIG. 4 is a bottom plan view thereof;

366/57, 59, 45, 227, 229, 64, 325, 320, 603

FIG. 5 is a right side view thereof;

See application file for complete search history.

FIG. 6 is a left side view thereof;

(56) **References Cited**

FIG. 7 is a cross-sectional view taken along line 7—7 in FIG. 6; and,

U.S. PATENT DOCUMENTS

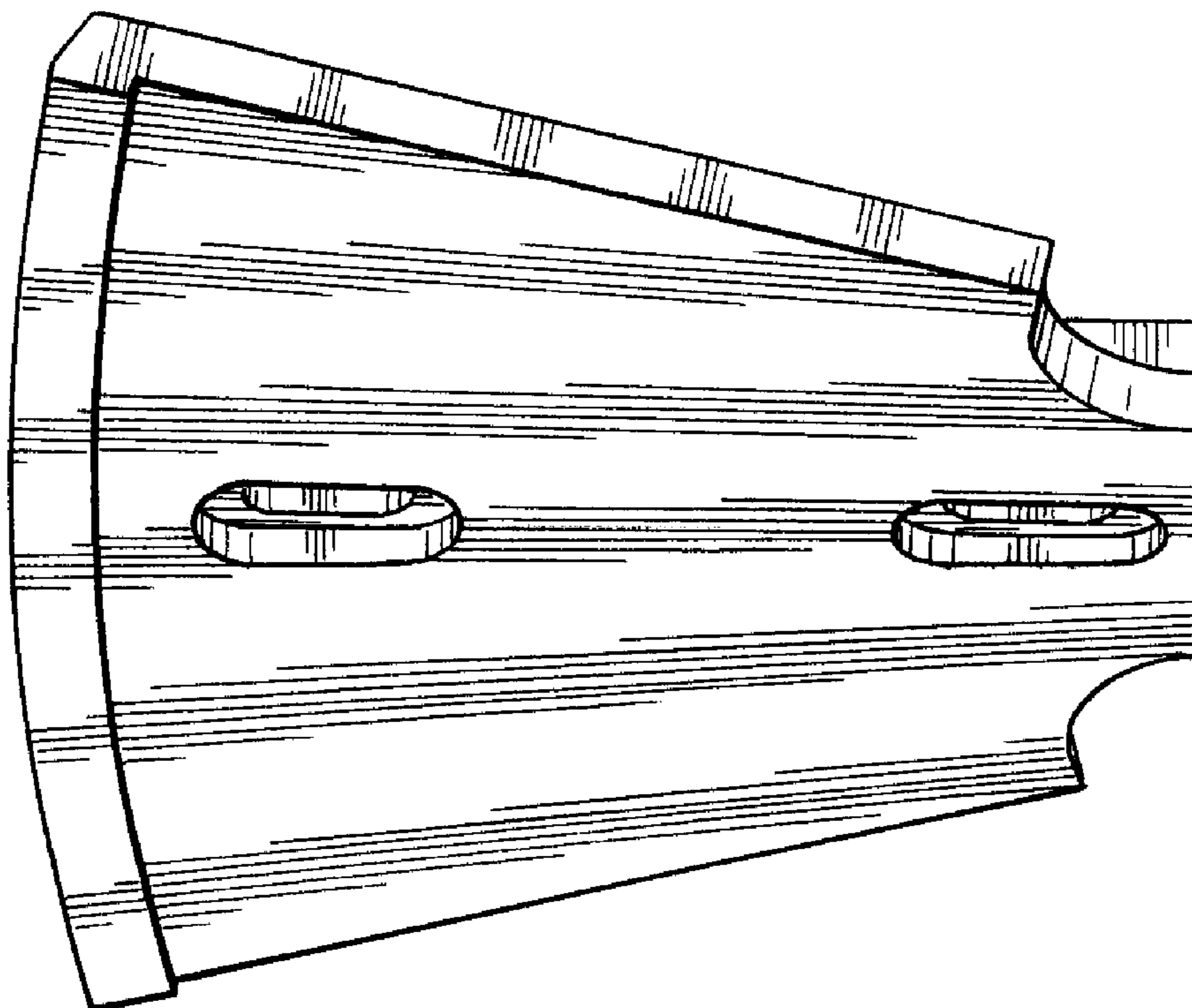
FIG. 8 is a cross-sectional view taken along line 8—8 in FIG. 6.

D299,348 S * 1/1989 Nja D15/11

D300,141 S * 3/1989 Kawashima D15/11

D459,367 S * 6/2002 Hama D15/28

1 Claim, 4 Drawing Sheets



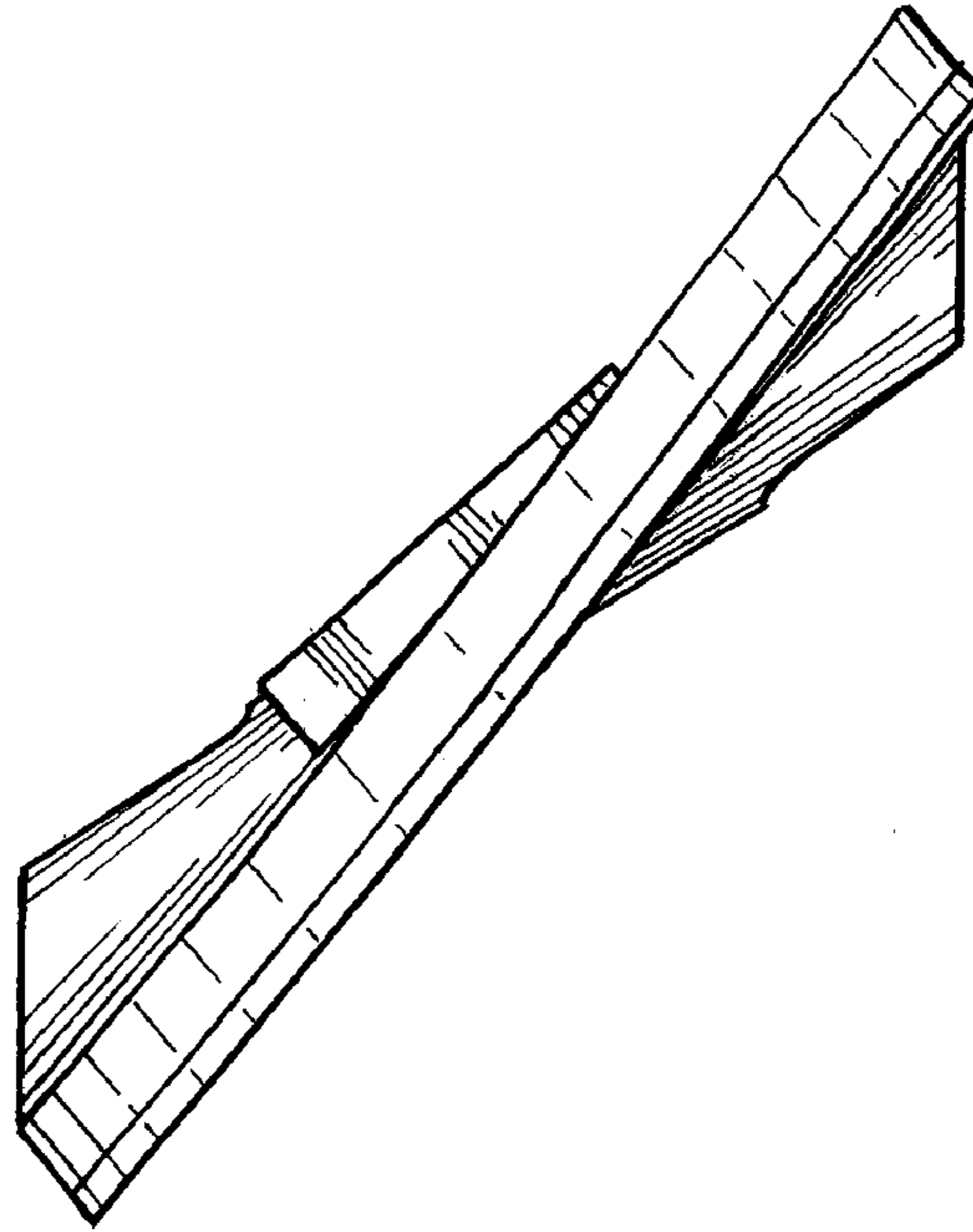


Fig. 1

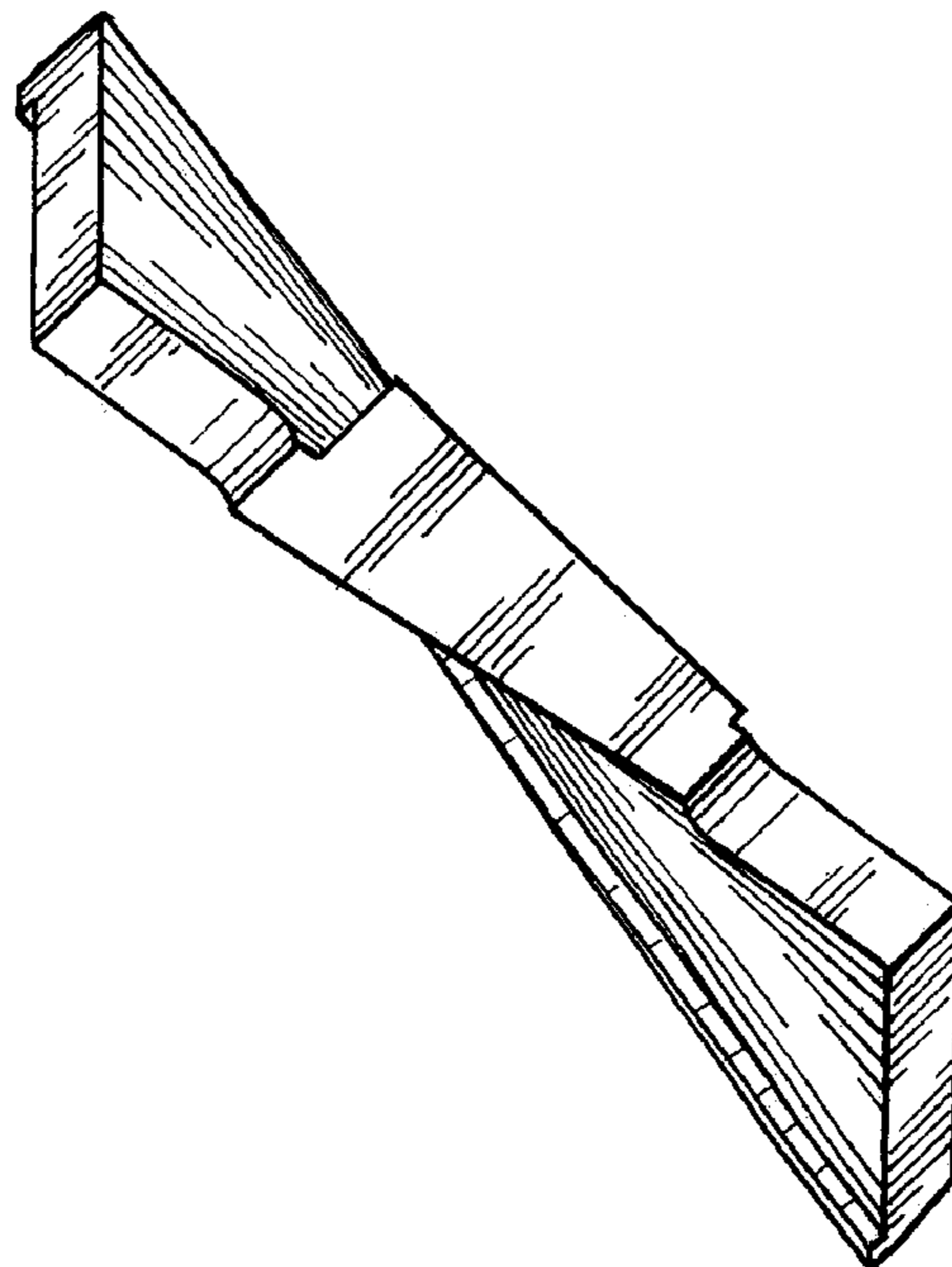


Fig. 2

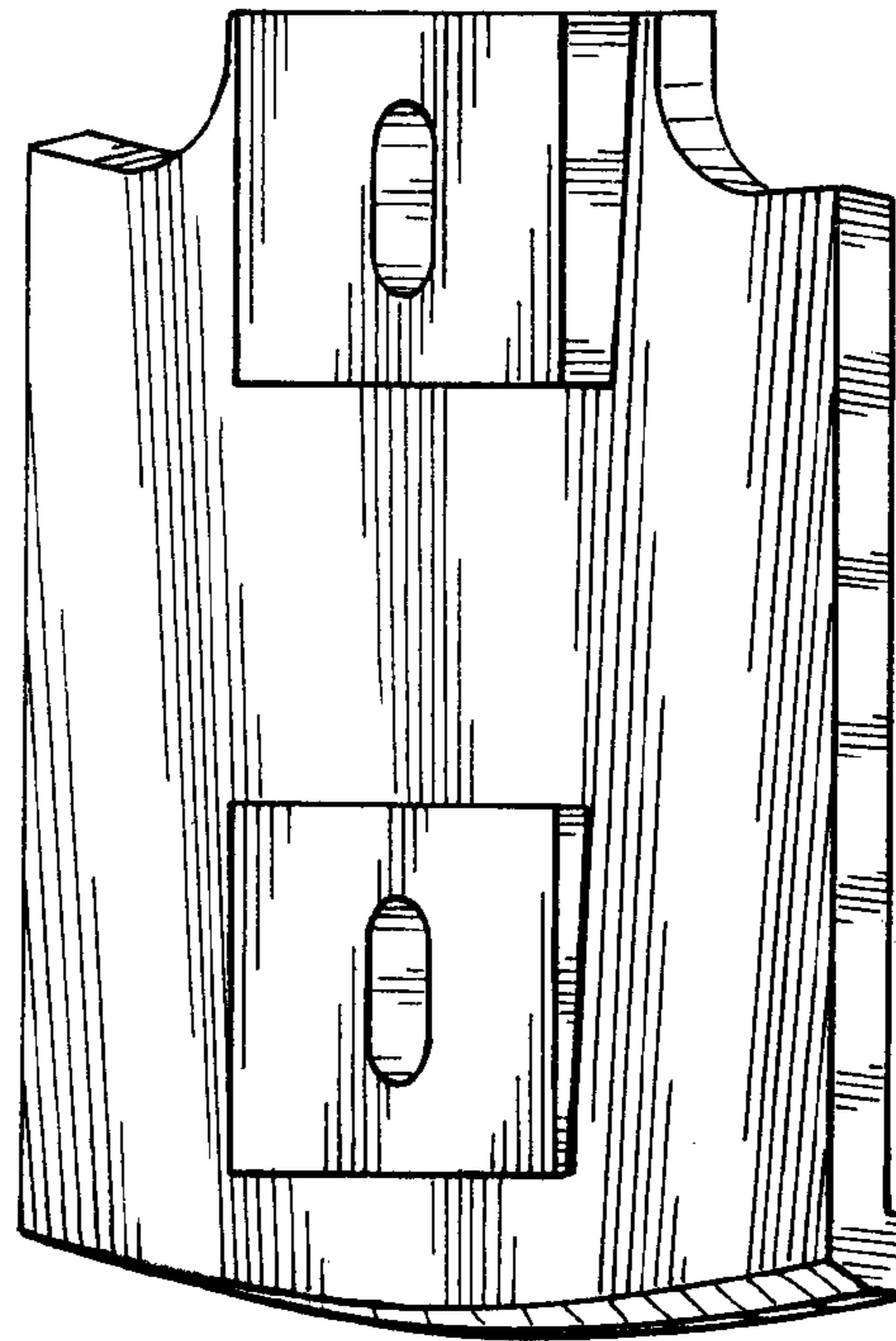


Fig. 3

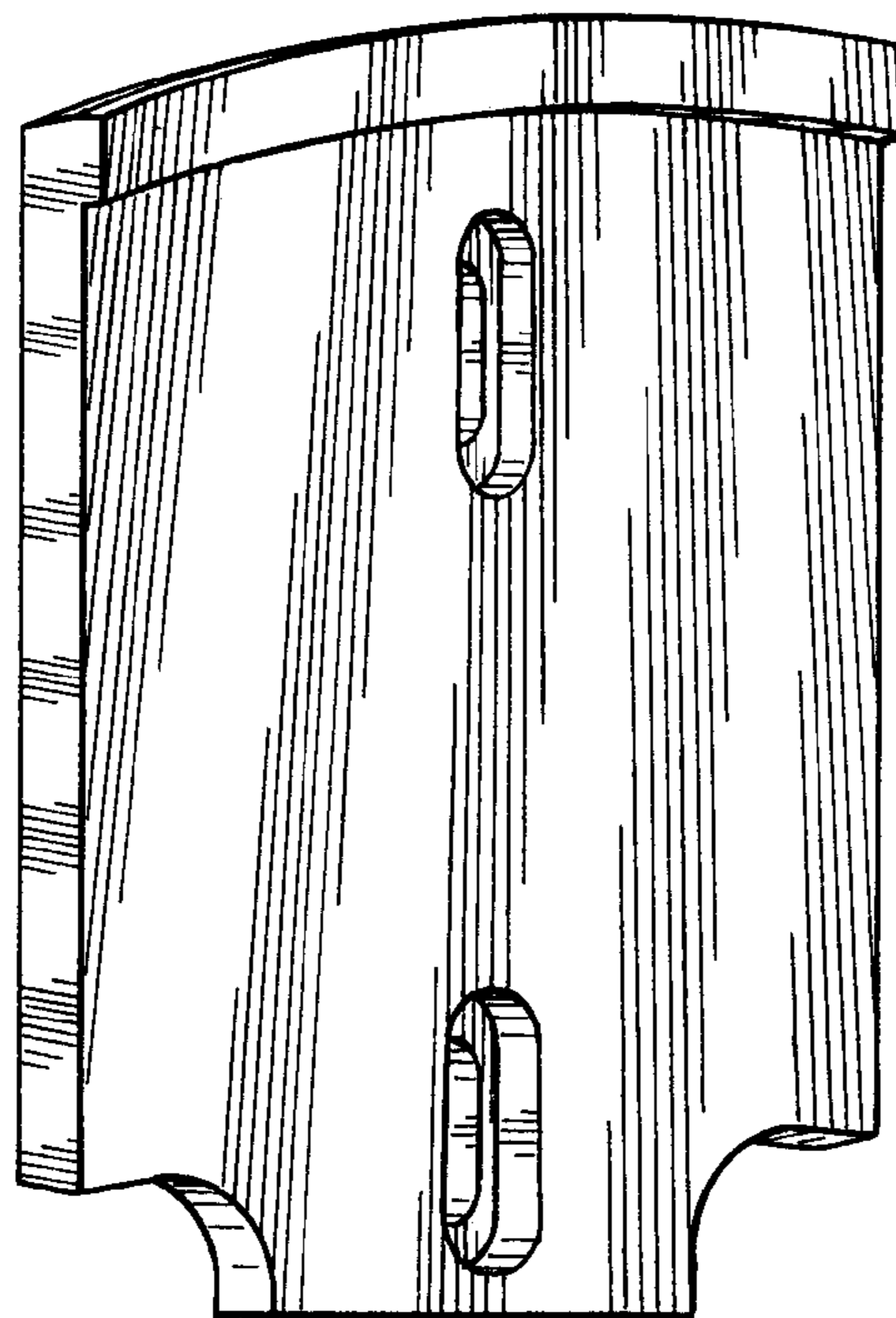


Fig. 4

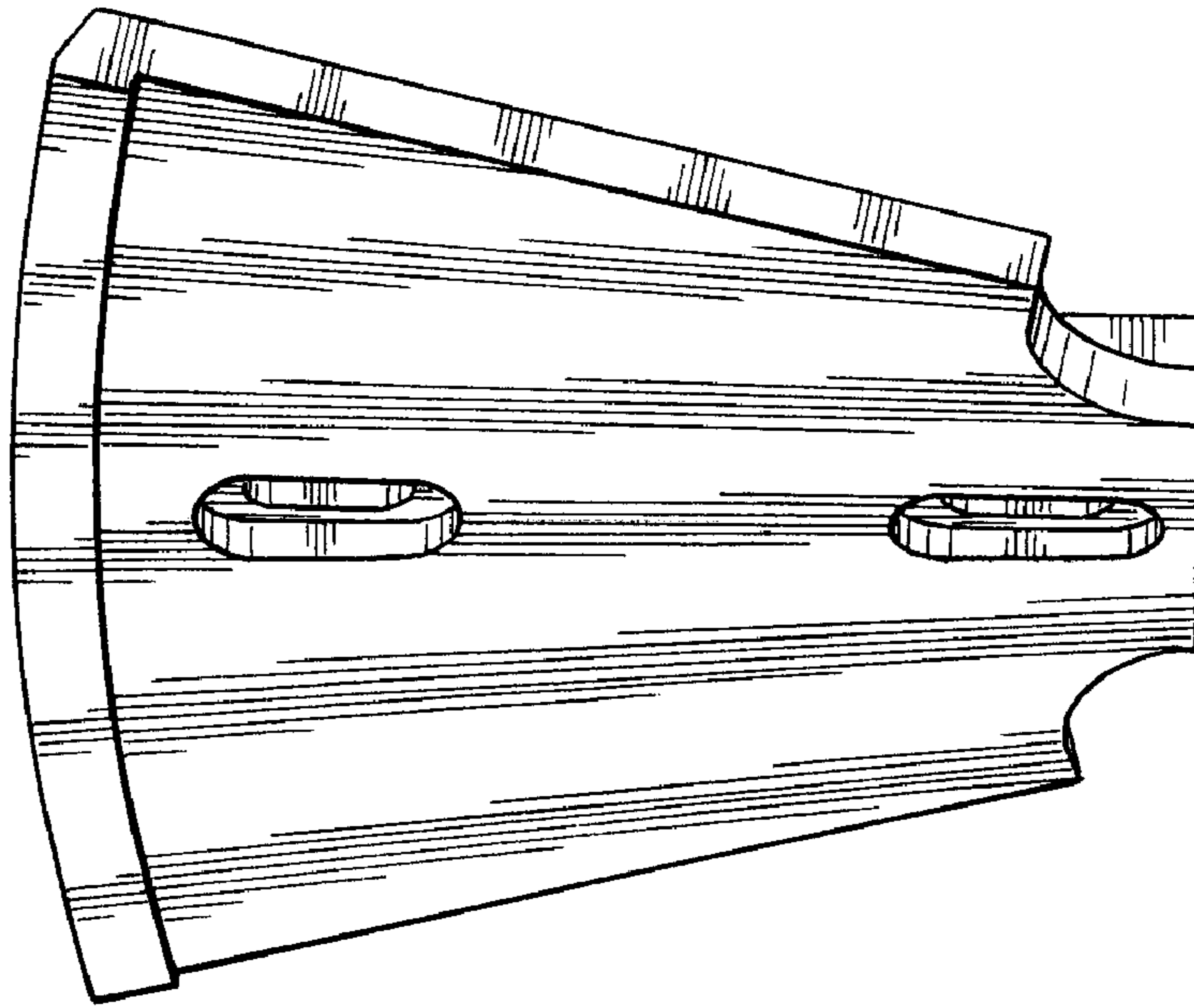


Fig. 5

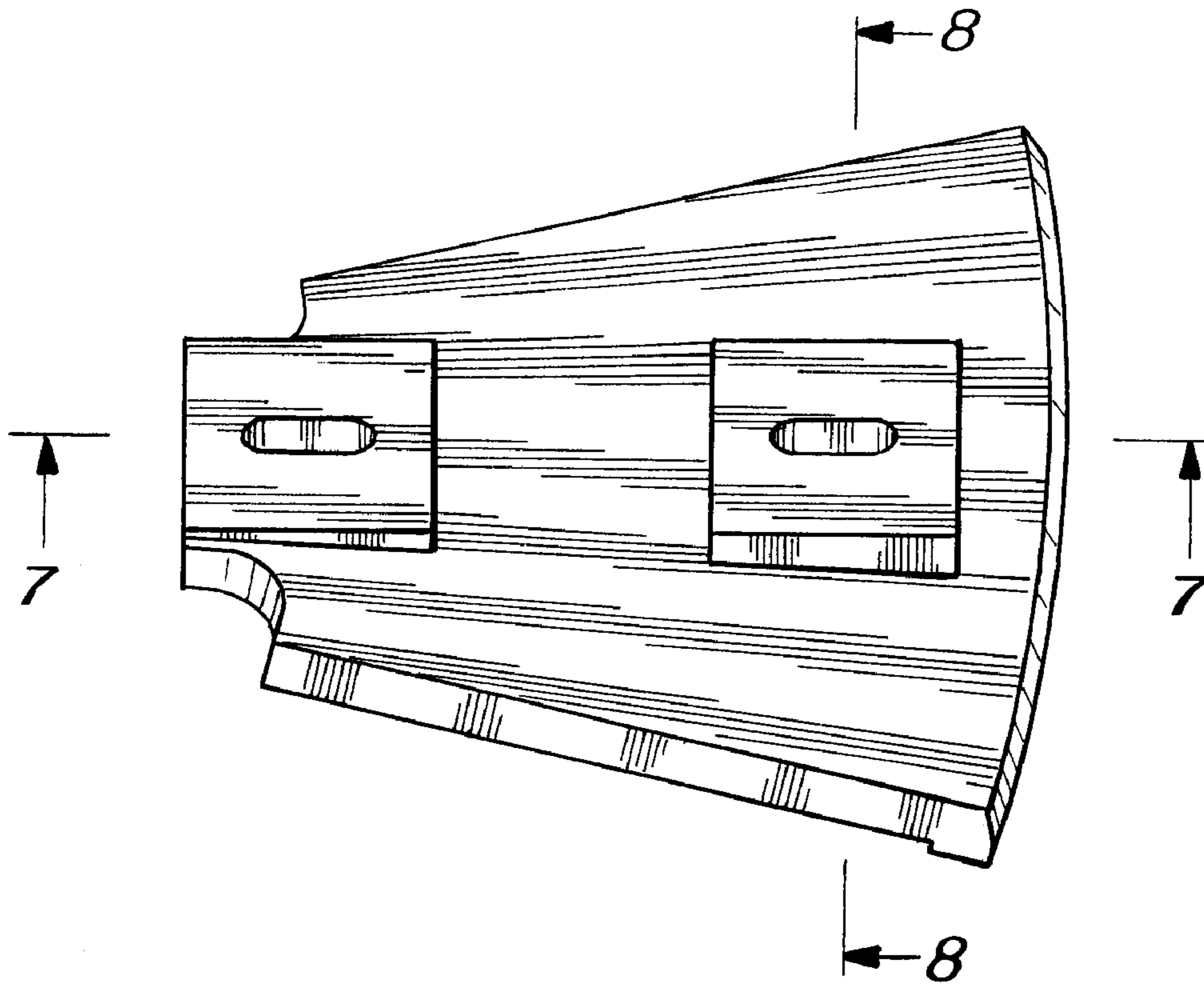


Fig. 6

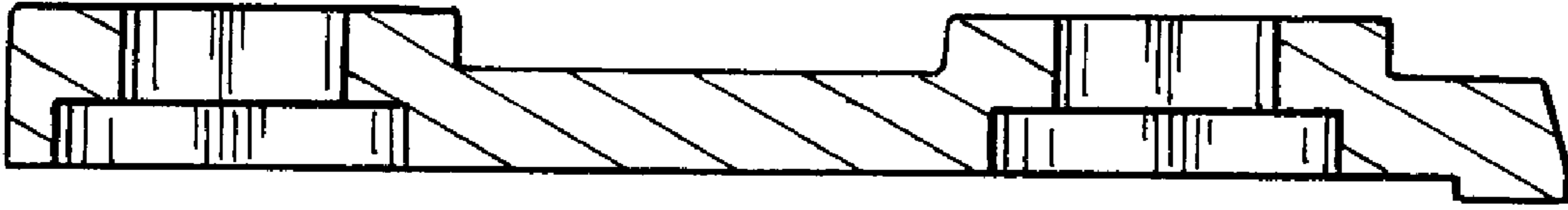


Fig. 7

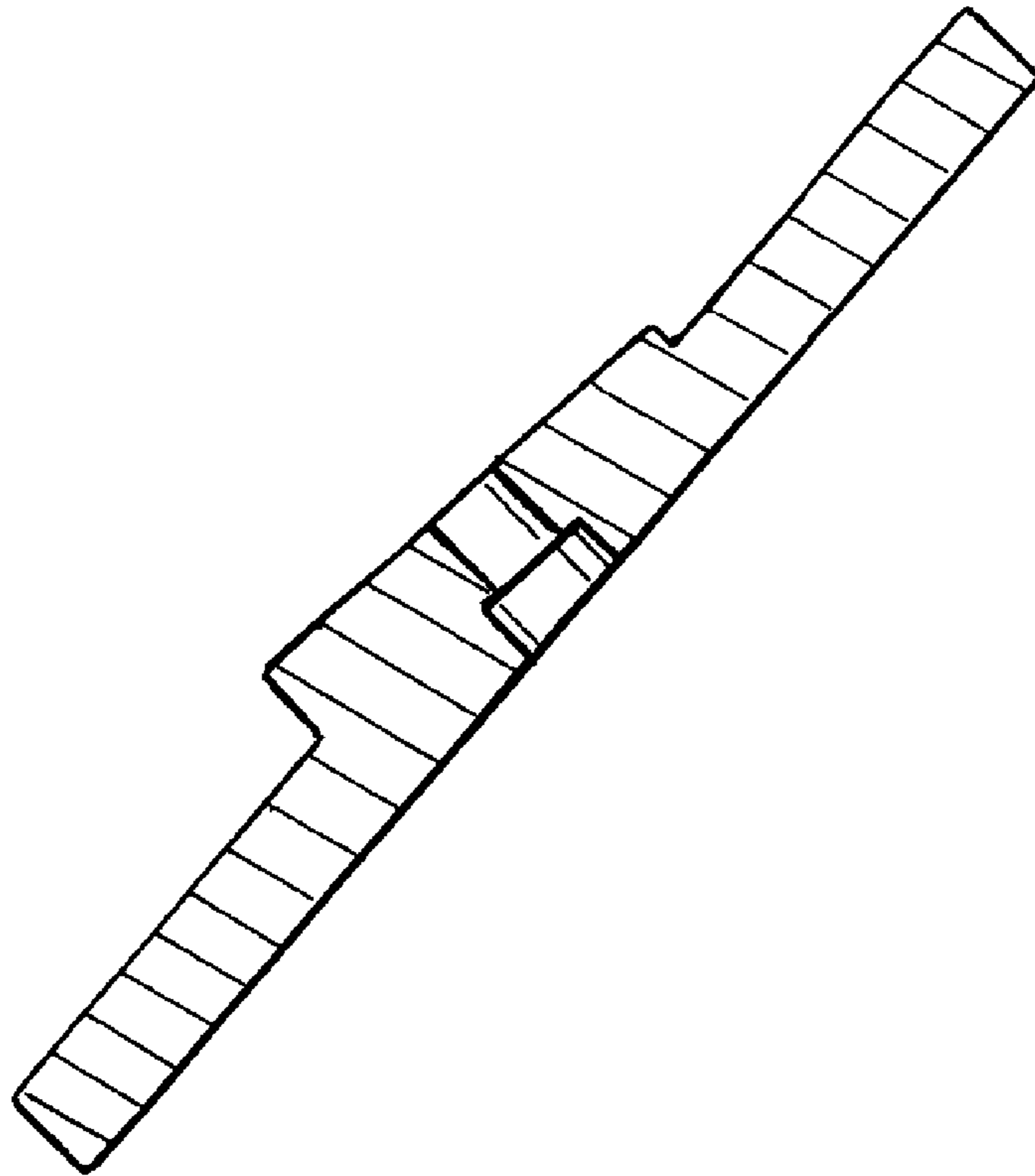


Fig. 8