



US00D515102S

(12) **United States Design Patent**
Buck

(10) **Patent No.:** **US D515,102 S**

(45) **Date of Patent:** **** Feb. 14, 2006**

(54) **PUMP SHROUD FOR COMPRESSOR**

(75) Inventor: **John E. Buck**, Cockeysville, MD (US)

(73) Assignee: **Black & Decker Inc.**, Newark, DE (US)

(**) Term: **14 Years**

(21) Appl. No.: **29/211,232**

(22) Filed: **Aug. 12, 2004**

(51) **LOC (8) Cl.** **15-02**

(52) **U.S. Cl.** **D15/7**

(58) **Field of Classification Search** D15/7-9;
D23/231, 232; 417/410.4, 359, 415, 410.3,
417/234, 229, 321, 265, 405
See application file for complete search history.

(56) **References Cited**

U.S. PATENT DOCUMENTS

D280,993 S	*	10/1985	Mariol	D15/9
D281,691 S	*	12/1985	Vitaloni	D15/9
D301,247 S	*	5/1989	Prevosto	D15/9
D434,423 S	*	11/2000	Wang	D15/9
D499,794 S	*	12/2004	Comer	D23/235

OTHER PUBLICATIONS

Smith & Wesson, SW 2000 Air Compressor Manual, 2000.

* cited by examiner

Primary Examiner—Ralf Seifert

(74) *Attorney, Agent, or Firm*—Harness, Dickey & Pierce, P.L.C.

(57) **CLAIM**

The ornamental design for a pump shroud for compressor, as shown and described.

DESCRIPTION

FIG. 1 is a perspective view of a portable compressor which embodies a pump shroud in accordance with a first embodiment of the present design;

FIG. 2 is a perspective view of the first embodiment of the pump shroud;

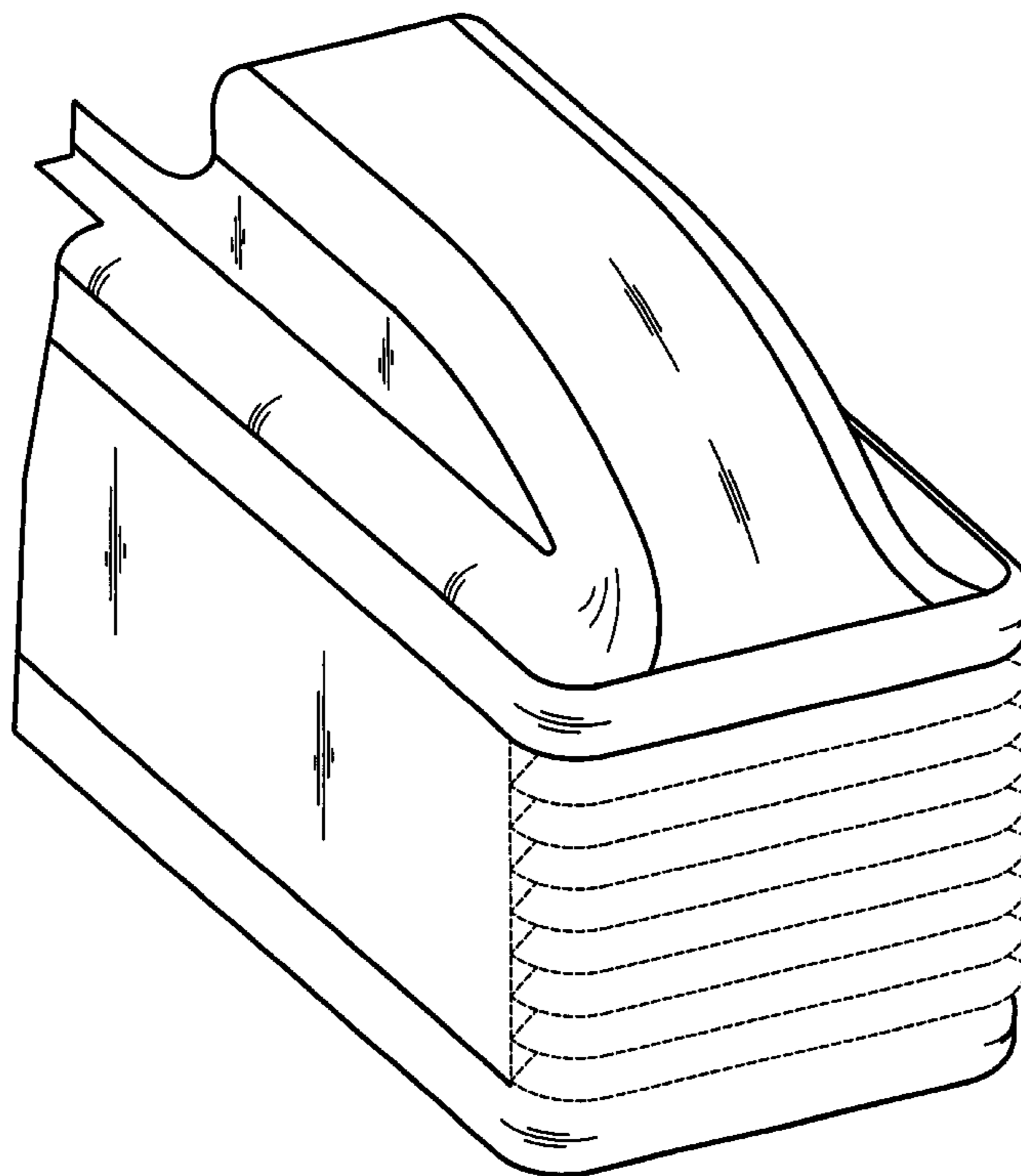
FIG. 3 is a front view of the first embodiment of the pump shroud;

FIG. 4 is a side view of the first embodiment of the pump shroud, the left side elevational view being a mirror image thereof; and,

FIG. 5 is a top view of the first embodiment of the pump shroud.

It is to be understood that those portions of the pump shroud shown in broken line in the accompanying figures do not constitute an integral part of the claimed design and, therefore, are disclaimed as part of the claimed design.

1 Claim, 5 Drawing Sheets



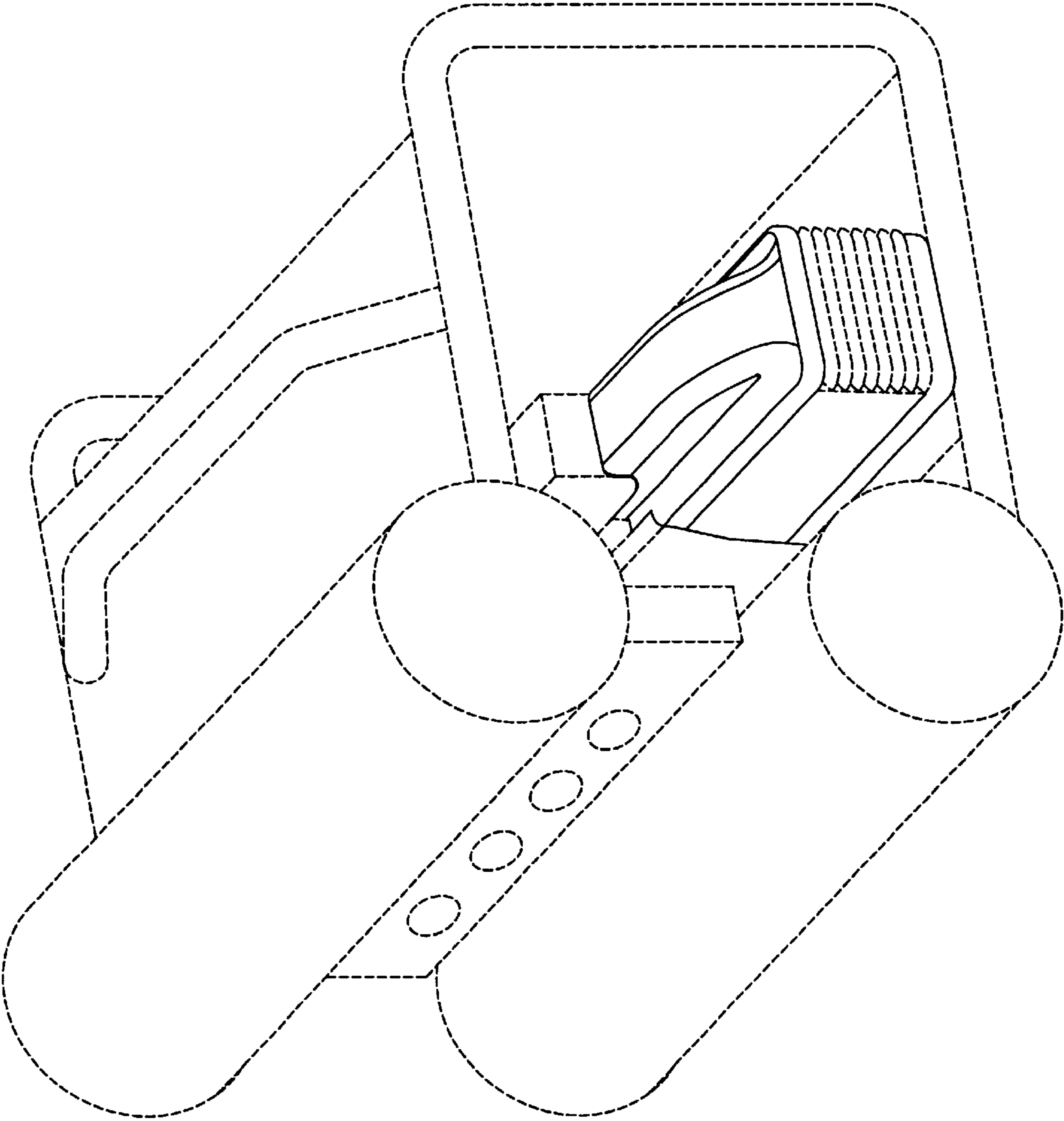


FIG 1

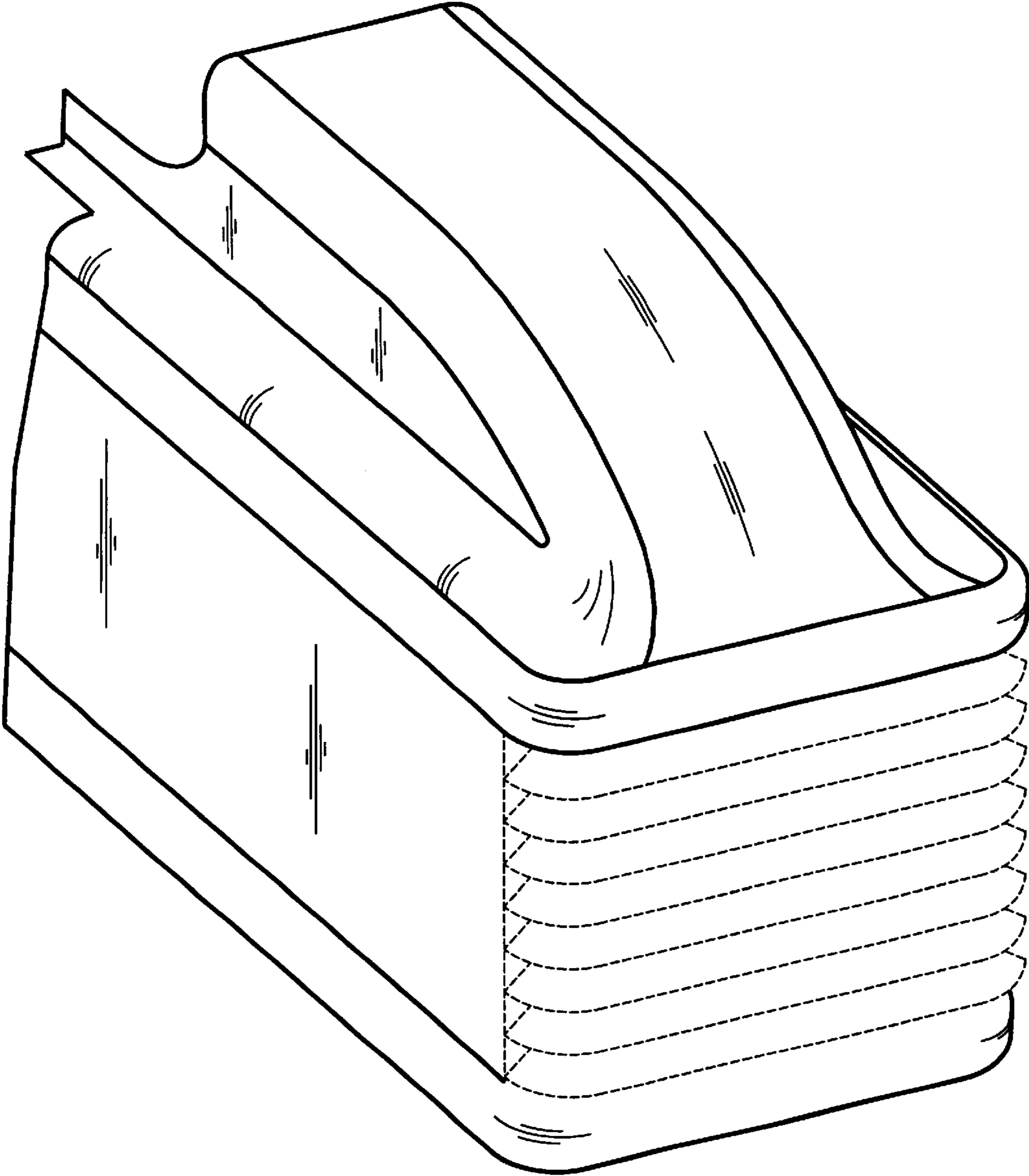


FIG 2

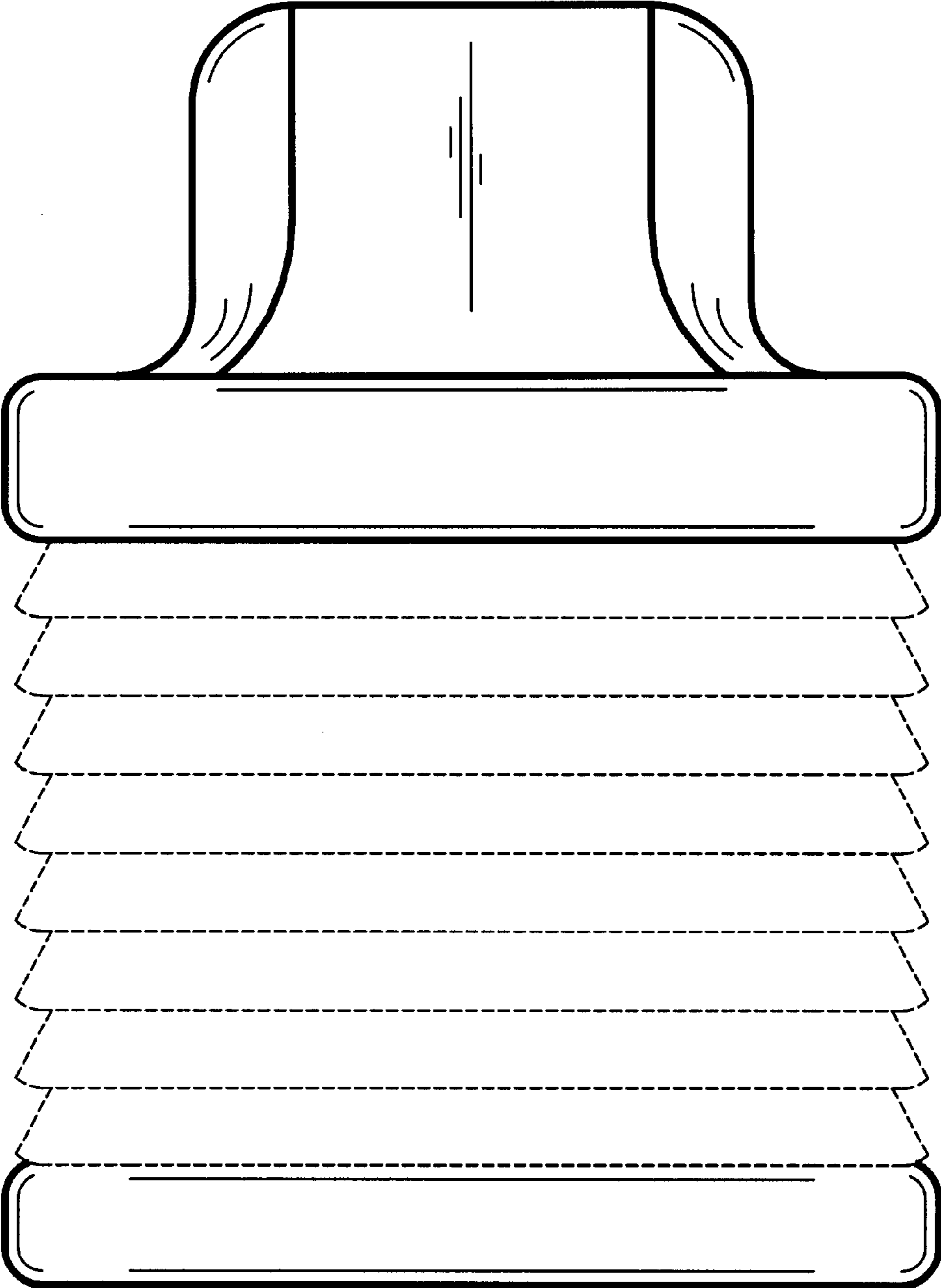


FIG 3

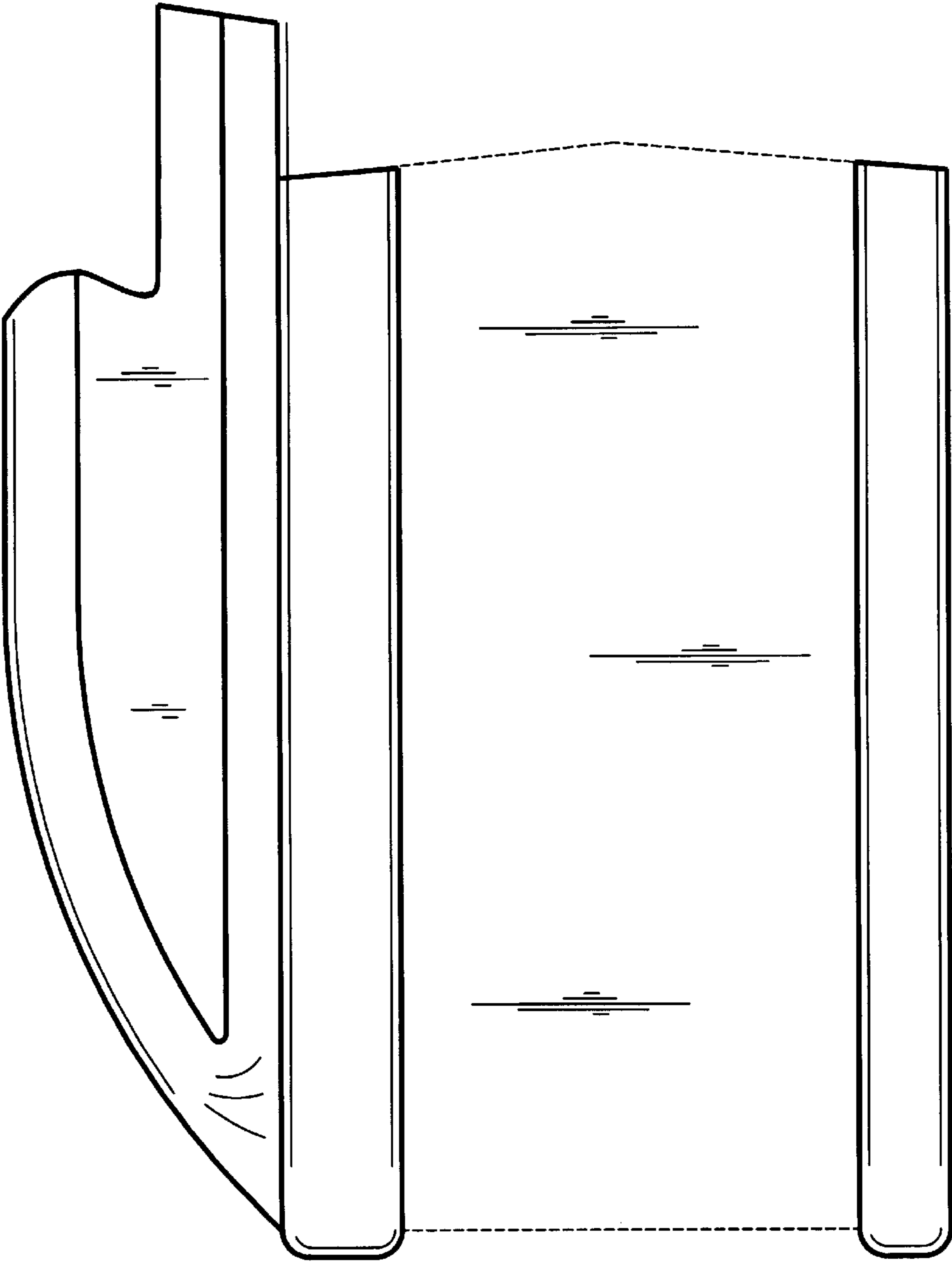


FIG 4

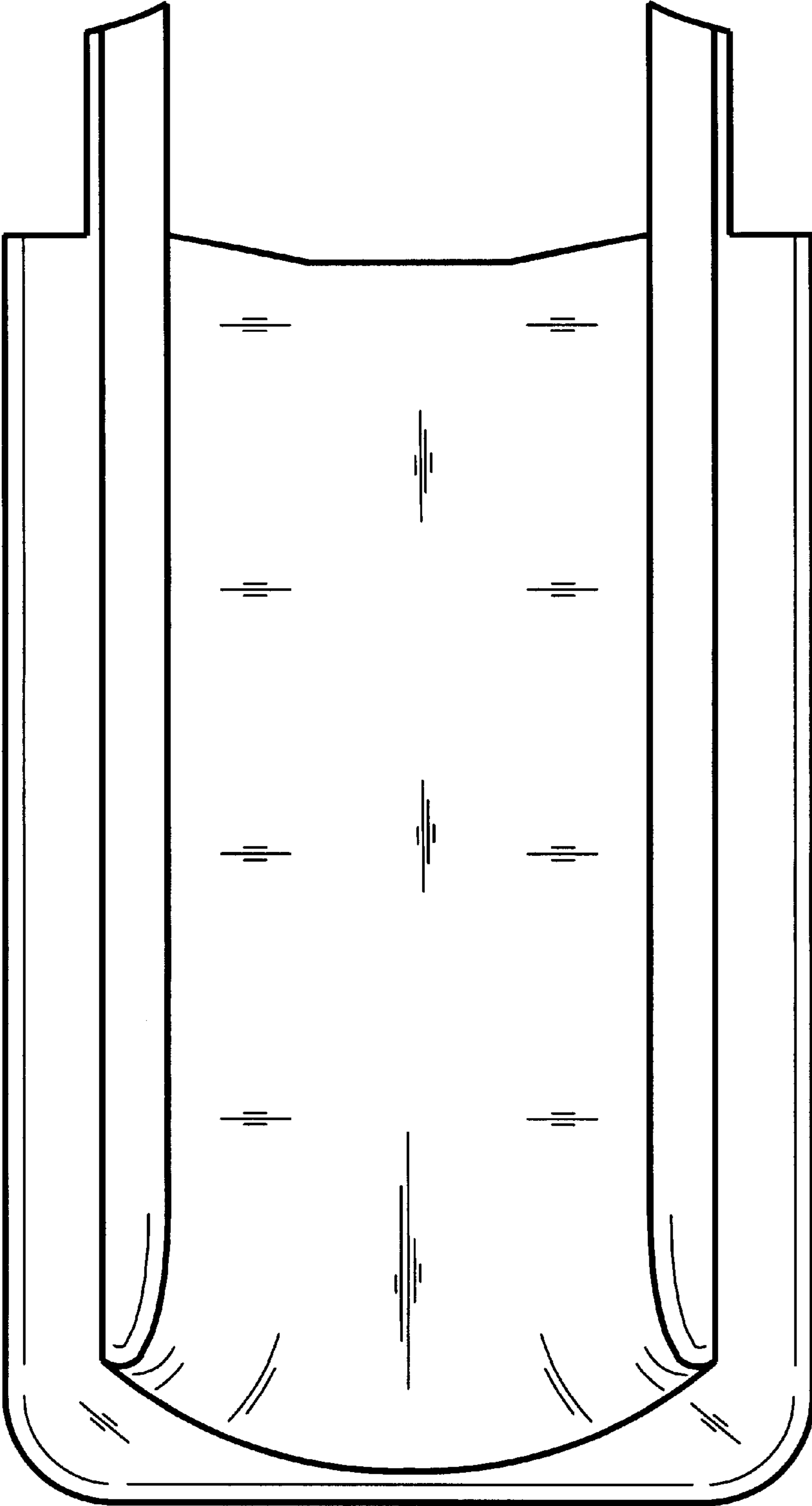


FIG 5

UNITED STATES PATENT AND TRADEMARK OFFICE
CERTIFICATE OF CORRECTION

PATENT NO. : Des. 515,102 S
APPLICATION NO. : 29/211232
DATED : February 14, 2006
INVENTOR(S) : Buck

Page 1 of 1

It is certified that error appears in the above-identified patent and that said Letters Patent is hereby corrected as shown below:

On title page Item (57) Claim
Line 1
Compressor should be Compressors.

Signed and Sealed this

Fifteenth Day of August, 2006

A handwritten signature in black ink on a light gray dotted background. The signature reads "Jon W. Dudas" in a cursive style.

JON W. DUDAS

Director of the United States Patent and Trademark Office