

US00D515101S

(12) **United States Design Patent**  
**Wiechers et al.**

(10) **Patent No.:** **US D515,101 S**  
(45) **Date of Patent:** **\*\* Feb. 14, 2006**

(54) **DIAPHRAGM PUMP**

(75) Inventors: **Jonathan T. Wiechers**, Defiance, OH (US); **Gabriel J. Pietrykowski**, Bryan, OH (US)

(73) Assignee: **Ingersoll-Rand Company**, Montvale, NJ (US)

(\*\*) Term: **14 Years**

(21) Appl. No.: **29/205,463**

(22) Filed: **May 14, 2004**

(51) **LOC (8) Cl.** ..... **15-02**

(52) **U.S. Cl.** ..... **D15/7**

(58) **Field of Classification Search** ..... D15/7-9;  
417/393, 395, 396, 401, 436, 454, 535-537,  
417/236-237, 238-239

See application file for complete search history.

(56) **References Cited**

**U.S. PATENT DOCUMENTS**

D268,413 S	*	3/1983	Wilden	.....	D15/7
D294,946 S		3/1988	Wilden		
D294,947 S	*	3/1988	Wilden	.....	D15/7
D370,488 S		6/1996	Kozumplik, Jr. et al.		
D388,796 S		1/1998	Conti et al.		

D388,797 S	1/1998	Conti et al.
5,711,658 A	1/1998	Conti et al.
D400,210 S	10/1998	Reynolds et al.
5,848,878 A	12/1998	Conti et al.
D435,855 S	1/2001	Donelson et al.
D484,145 S	12/2003	Roberts et al.

\* cited by examiner

*Primary Examiner*—Ralf Seifert

(74) *Attorney, Agent, or Firm*—Michael Best & Friedrich LLP

(57) **CLAIM**

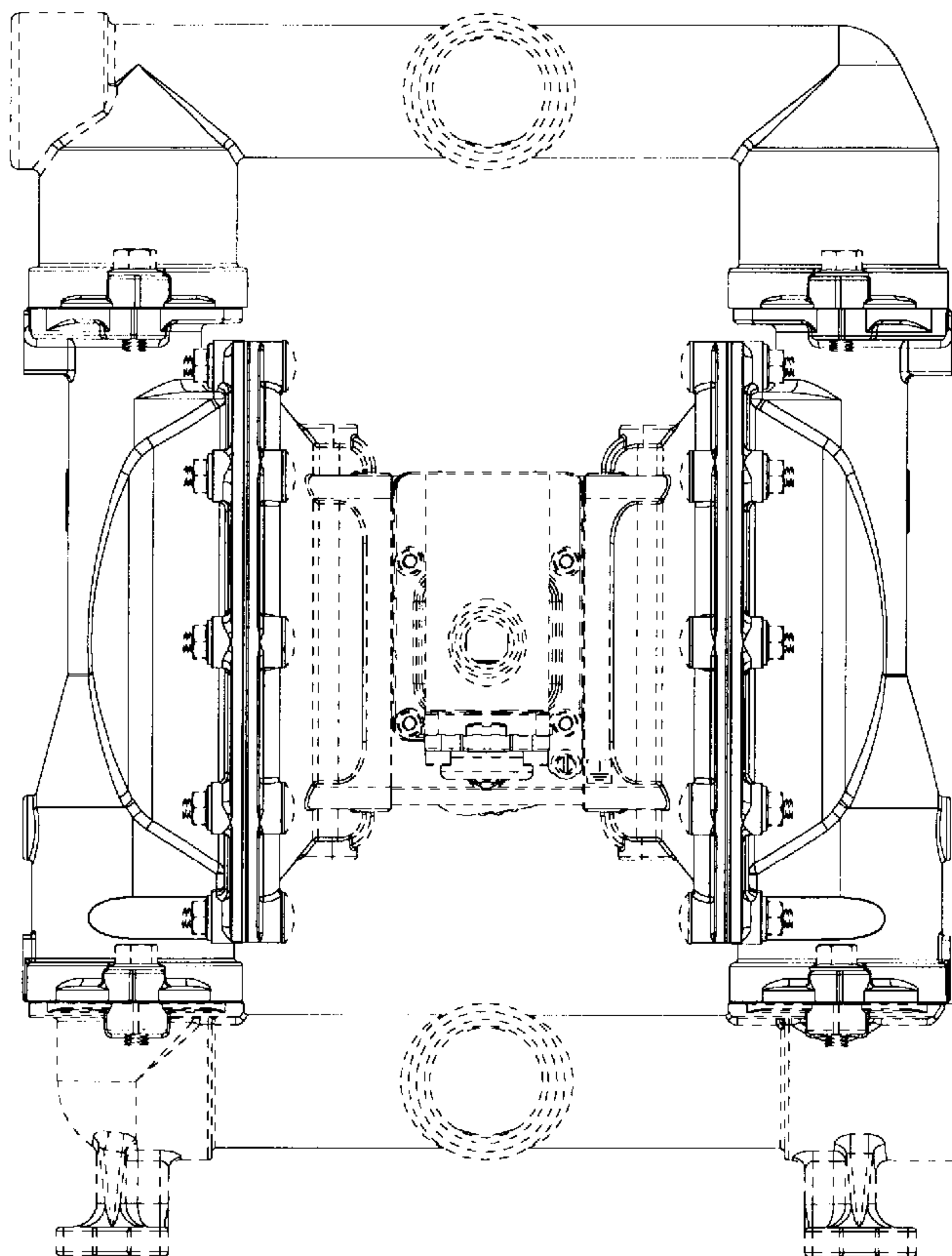
We claim the ornamental design for a diaphragm pump, as shown and described.

**DESCRIPTION**

FIG. 1 is a front elevation view of a diaphragm pump showing our new design; FIG. 2 is a rear elevation view thereof; FIG. 3 is a right elevation view thereof; FIG. 4 is a left elevation view thereof; FIG. 5 is a top plan view thereof; and, FIG. 6 is a bottom plan view thereof.

The structural features depicted by means of broken lines in the drawing figures have been shown for illustrative purposes only and form no part of the claimed design.

**1 Claim, 3 Drawing Sheets**



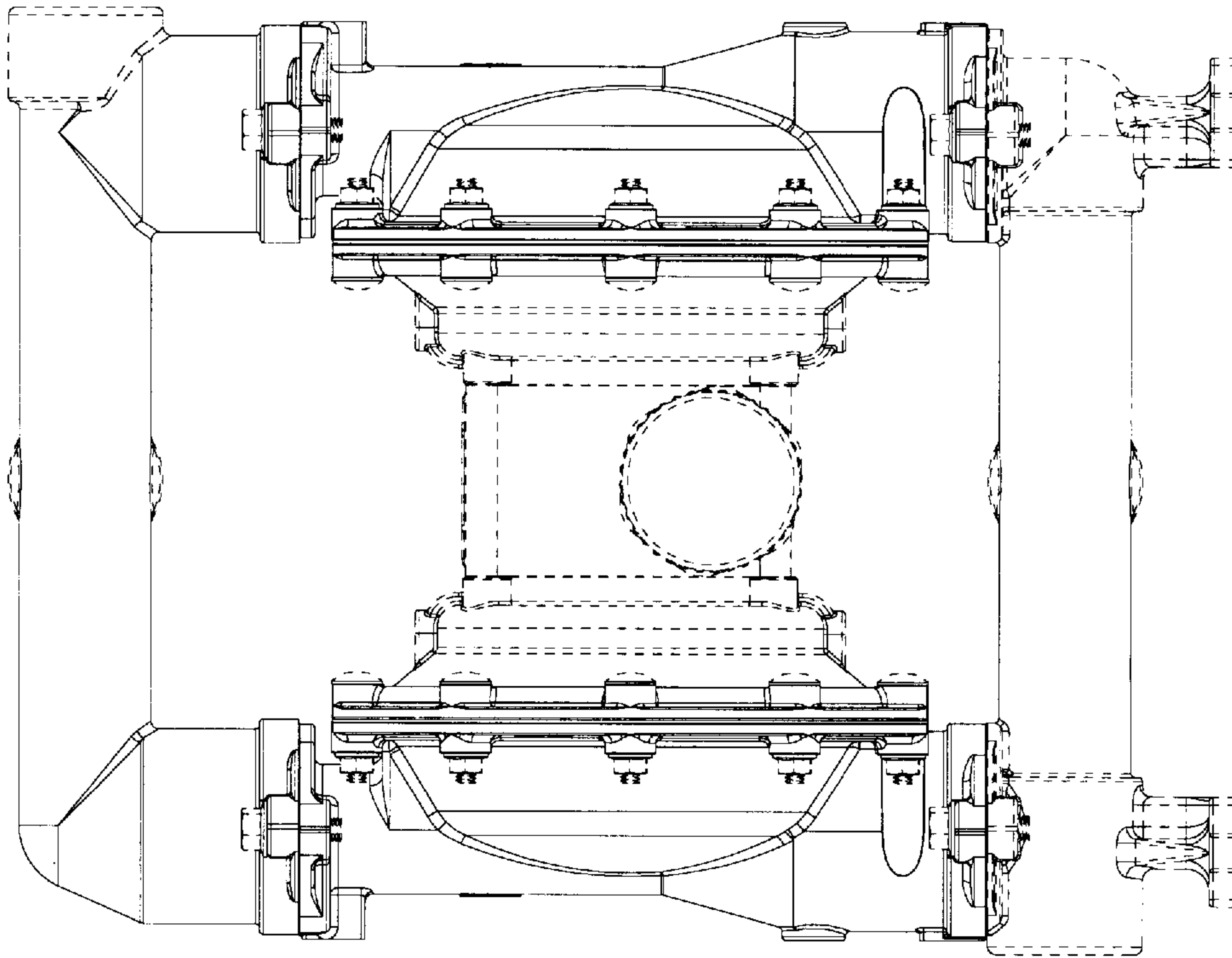


FIG. 2

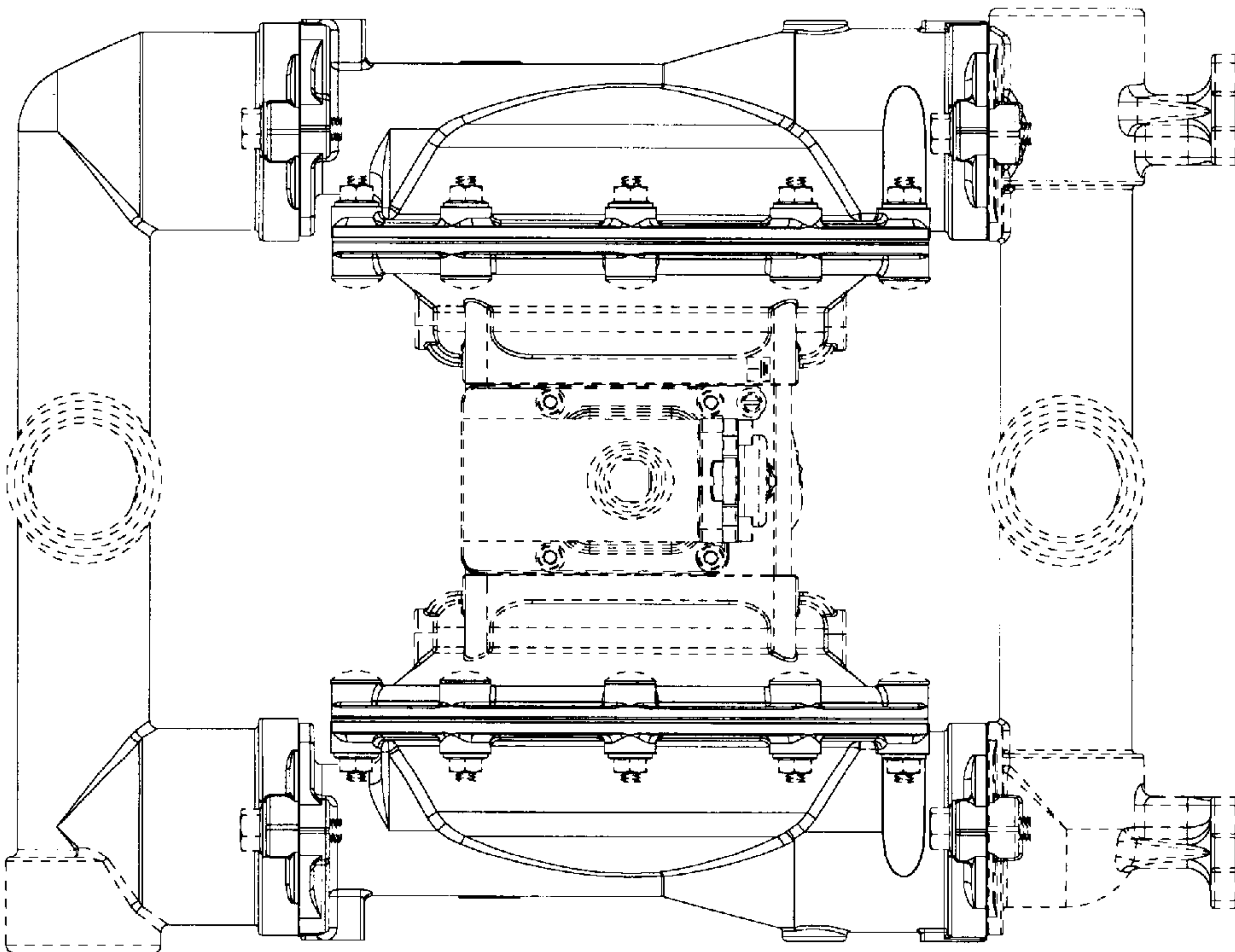


FIG. 1

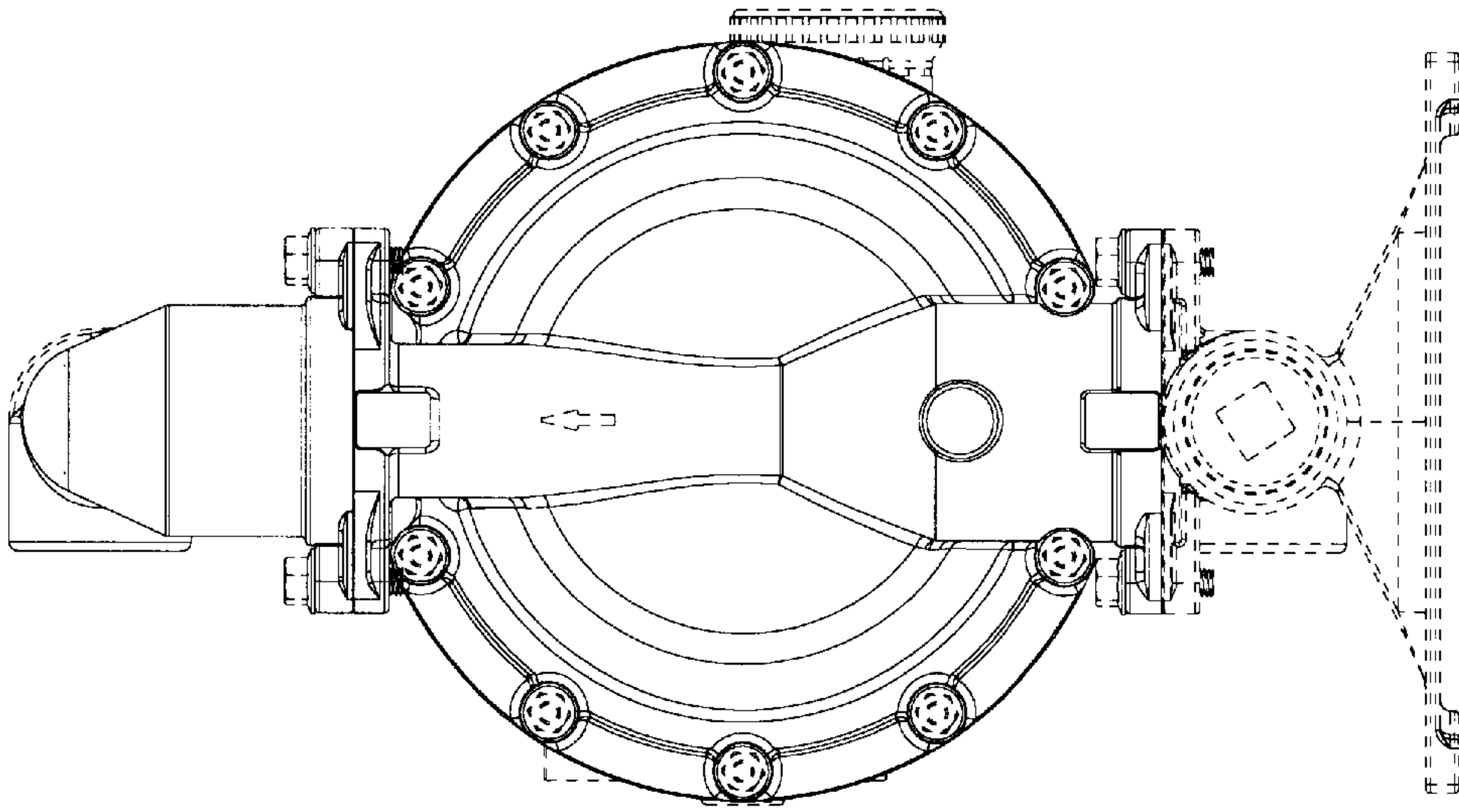


FIG. 4

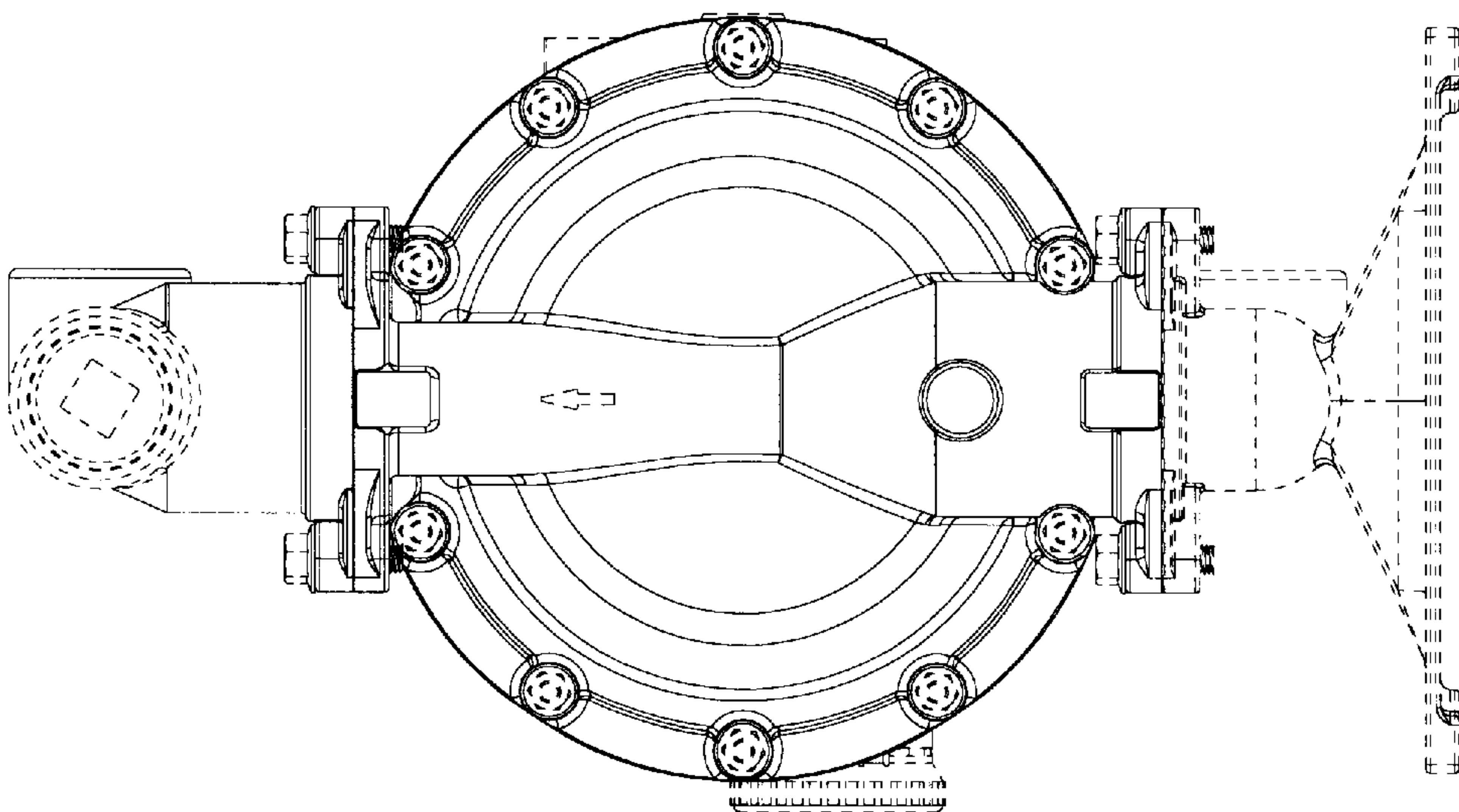


FIG. 3



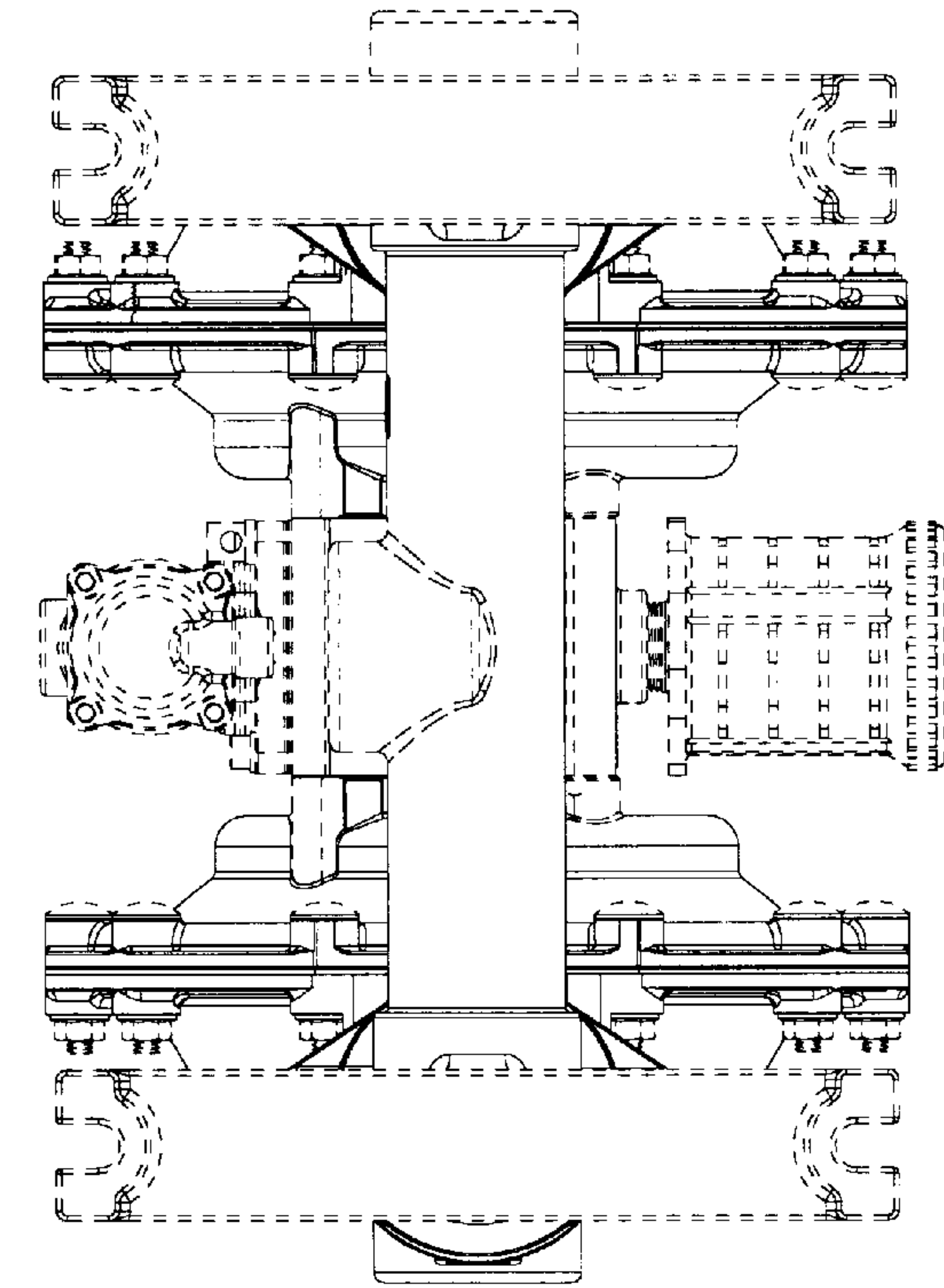


FIG. 6

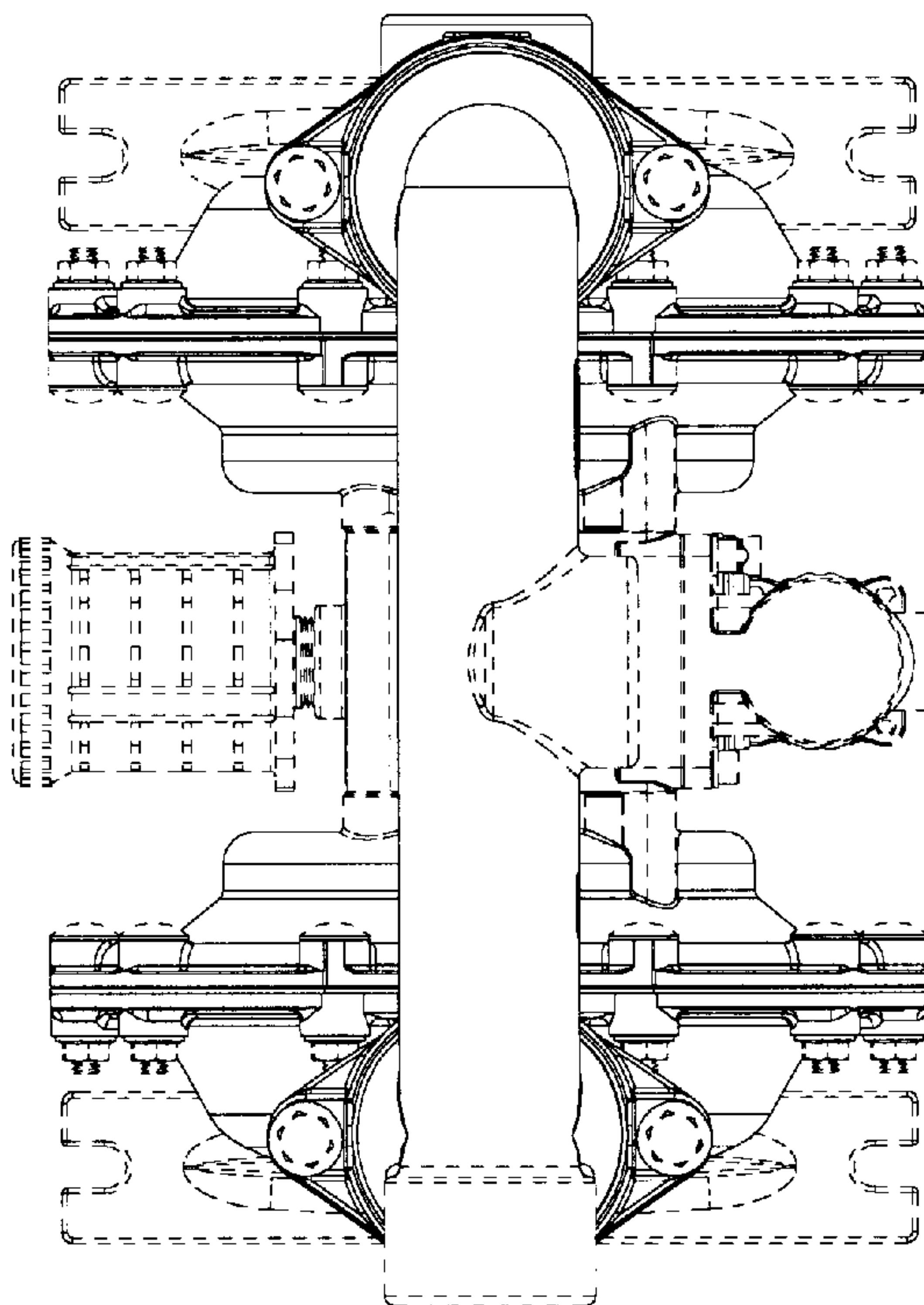


FIG. 5