



US00D515095S

(12) **United States Design Patent**  
**Breitbarth et al.**

(10) **Patent No.: US D515,095 S**  
(45) **Date of Patent: \*\* Feb. 14, 2006**

(54) **COMPUTER PERIPHERAL**

(75) Inventors: **Neal Breitbarth**, Daly City, CA (US);  
**Kevin Coullahan**, Santa Cruz, CA  
(US); **David Froker**, Daly City, CA  
(US); **Chris Green**, Sunnyvale, CA  
(US); **Treasure Hinds**, Seattle, WA  
(US); **Agota Jonas**, Aptos, CA (US);  
**David Lebolt**, Daly City, CA (US);  
**Howard Nuk**, Sunnyvale, CA (US);  
**Michael Voege**, Sunnyvale, CA (US)

(73) Assignee: **Avid Technology, Inc.**, Tewksbury, MA  
(US)

(\*\*) Term: **14 Years**

(21) Appl. No.: **29/205,107**

(22) Filed: **May 7, 2004**

**Related U.S. Application Data**

(63) Continuation of application No. 29/187,771, filed on Aug. 7,  
2003, now abandoned, which is a continuation of application  
No. 29/174,165, filed on Jan. 13, 2003, now abandoned.

(51) **LOC (8) Cl.** ..... **14-02**

(52) **U.S. Cl.** ..... **D14/441**

(58) **Field of Classification Search** ..... D14/441-446,  
D14/257, 313, 439; D13/162, 184, 199; 312/223.1;  
361/680-686

See application file for complete search history.

(56) **References Cited**

**U.S. PATENT DOCUMENTS**

D409,171 S \* 5/1999 Wu ..... D14/439  
D428,892 S \* 8/2000 Haimson ..... D14/441

D447,483 S \* 9/2001 Wu ..... D14/441  
D448,033 S \* 9/2001 Anderson et al. .... D14/441  
D460,963 S \* 7/2002 Mautz et al. .... D14/313  
6,565,163 B1 \* 5/2003 Behl et al. .... 312/223.1  
D480,078 S \* 9/2003 Searby et al. .... D14/313

\* cited by examiner

*Primary Examiner*—Freda S. Nunn  
(74) *Attorney, Agent, or Firm*—Peter J. Gordon

(57) **CLAIM**

The ornamental design for a computer peripheral, as shown  
and described.

**DESCRIPTION**

FIG. 1 is a top, front, left side perspective view of the  
computer peripheral.

FIG. 2 is a front elevational view of the computer peripheral.

FIG. 3 is a left side elevational view, the right side being a  
mirror image thereof, of the computer peripheral.

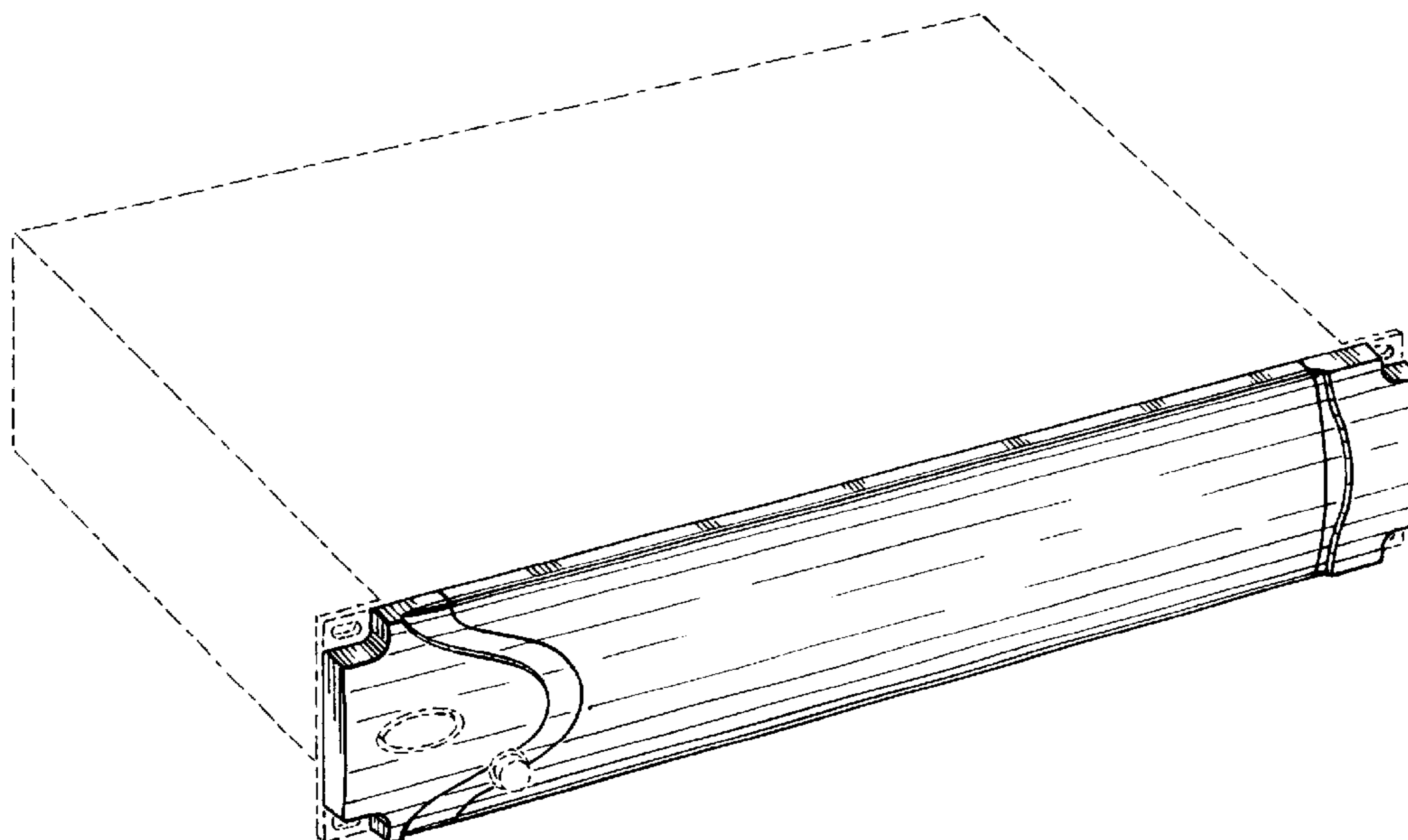
FIG. 4 is a top plan view of the computer peripheral; and,  
FIG. 5 is a bottom plan view of the computer peripheral.

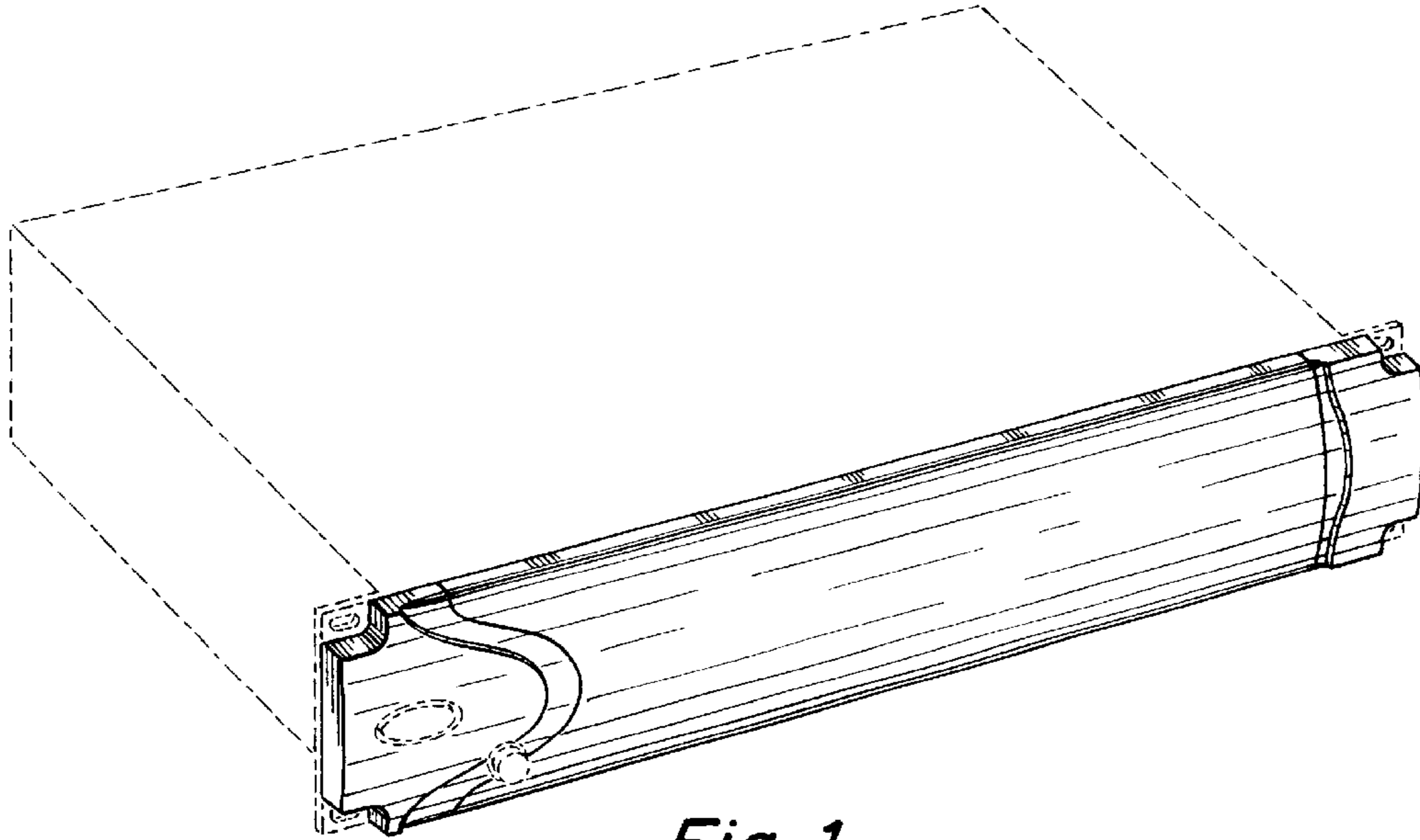
The rear view need not be considered.

This computer peripheral may be rack mounted and may be  
used, for example, for input and output of media data, such  
as audio and video data. The design also may be applied to  
other articles such as storage devices, processing devices,  
communication equipment and other computer peripherals.  
The characteristic feature of the design resides in the curved  
shape of the left side of the front panel of the computer  
peripheral.

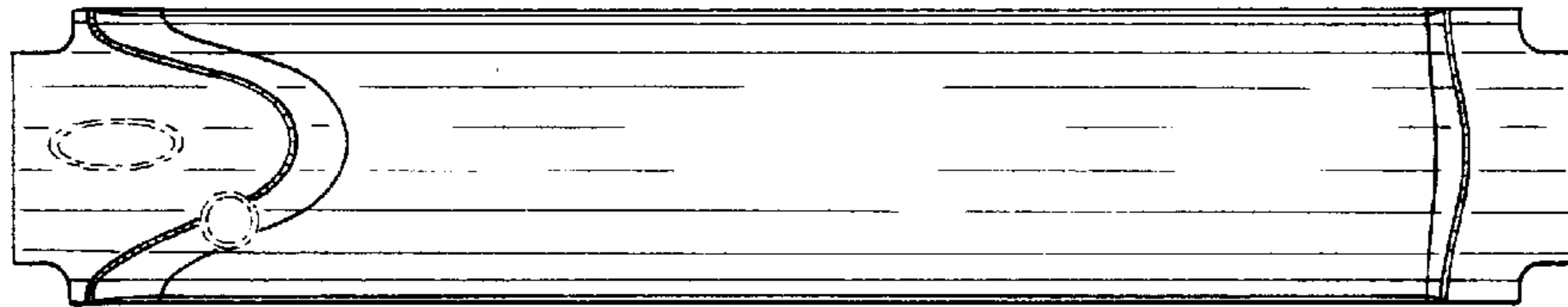
The broken line showing of elements in the drawing are for  
illustrative purposes only and forms no part of the claimed  
design.

**1 Claim, 1 Drawing Sheet**





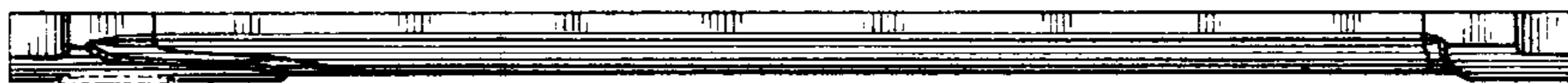
*Fig. 1*



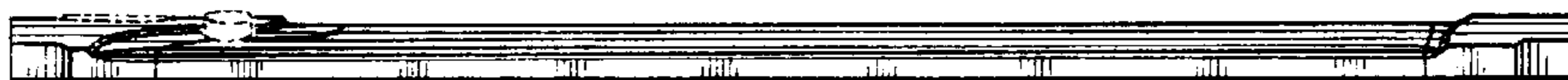
*Fig. 2*



*Fig. 3*



*Fig. 4*



*Fig. 5*