

US00D515092S

(12) **United States Design Patent**
Wilfong

(10) **Patent No.:** **US D515,092 S**
(45) **Date of Patent:** **** Feb. 14, 2006**

- (54) **BEZEL FOR CARD READER**
- (75) **Inventor:** **Evan C. Wilfong**, Newark, DE (US)
- (73) **Assignee:** **Equipment Systems & Devices, Inc.**,
Fort Washington, PA (US)
- (**) **Term:** **14 Years**
- (21) **Appl. No.:** **29/213,896**
- (22) **Filed:** **Sep. 24, 2004**
- (51) **LOC (8) Cl.** **14-02**
- (52) **U.S. Cl.** **D14/385**
- (58) **Field of Classification Search** D14/383,
D14/385, 386, 441-446; 235/380, 382, 382.5,
235/472.01, 476, 482, 483, 379
See application file for complete search history.

- 5,508,501 A * 4/1996 Fujimoto et al. 235/441
- D467,249 S * 12/2002 Burmeister D14/444
- D485,843 S * 1/2004 Hishinuma et al. D14/441
- D485,845 S * 1/2004 Burmeister D14/444

* cited by examiner

Primary Examiner—Freda S. Nunn
(74) *Attorney, Agent, or Firm*—Duane Morris LLP

(57) **CLAIM**

The ornamental design of a bezel for card reader, as shown and described.

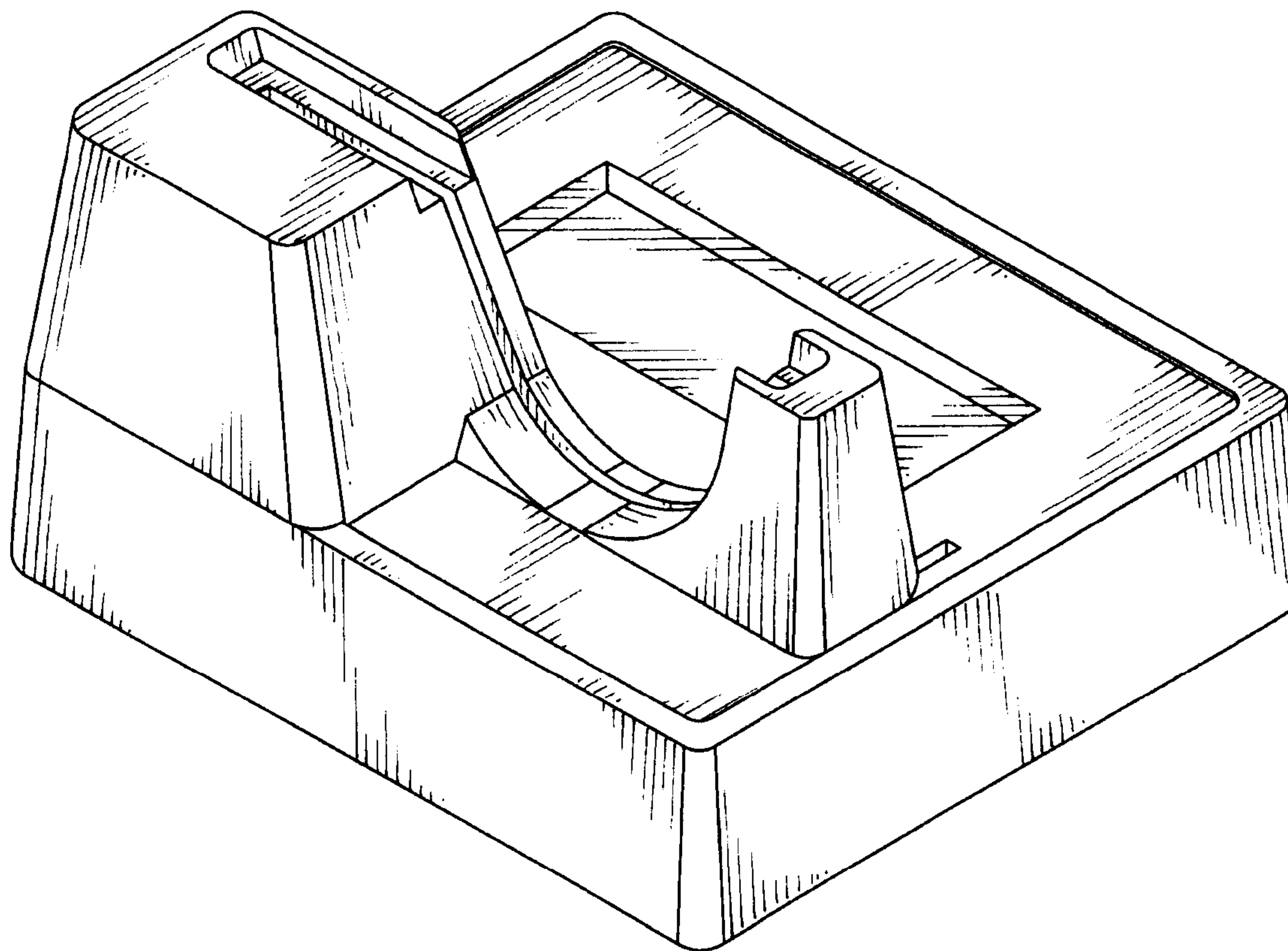
DESCRIPTION

FIG. 1 is a perspective view of a bezel for card reader according to the new design;
FIG. 2 is a front elevation view thereof;
FIG. 3 is a rear elevation view;
FIG. 4 is a top plan view;
FIG. 5 is a bottom plan view;
FIG. 6 is an end elevation from the right in FIG. 2; and,
FIG. 7 is an end elevation from the left in FIG. 2.

(56) **References Cited**
U.S. PATENT DOCUMENTS

- D300,930 S * 5/1989 Kerezman et al. D14/442
- D350,120 S * 8/1994 Tsuboi et al. D14/385

1 Claim, 5 Drawing Sheets



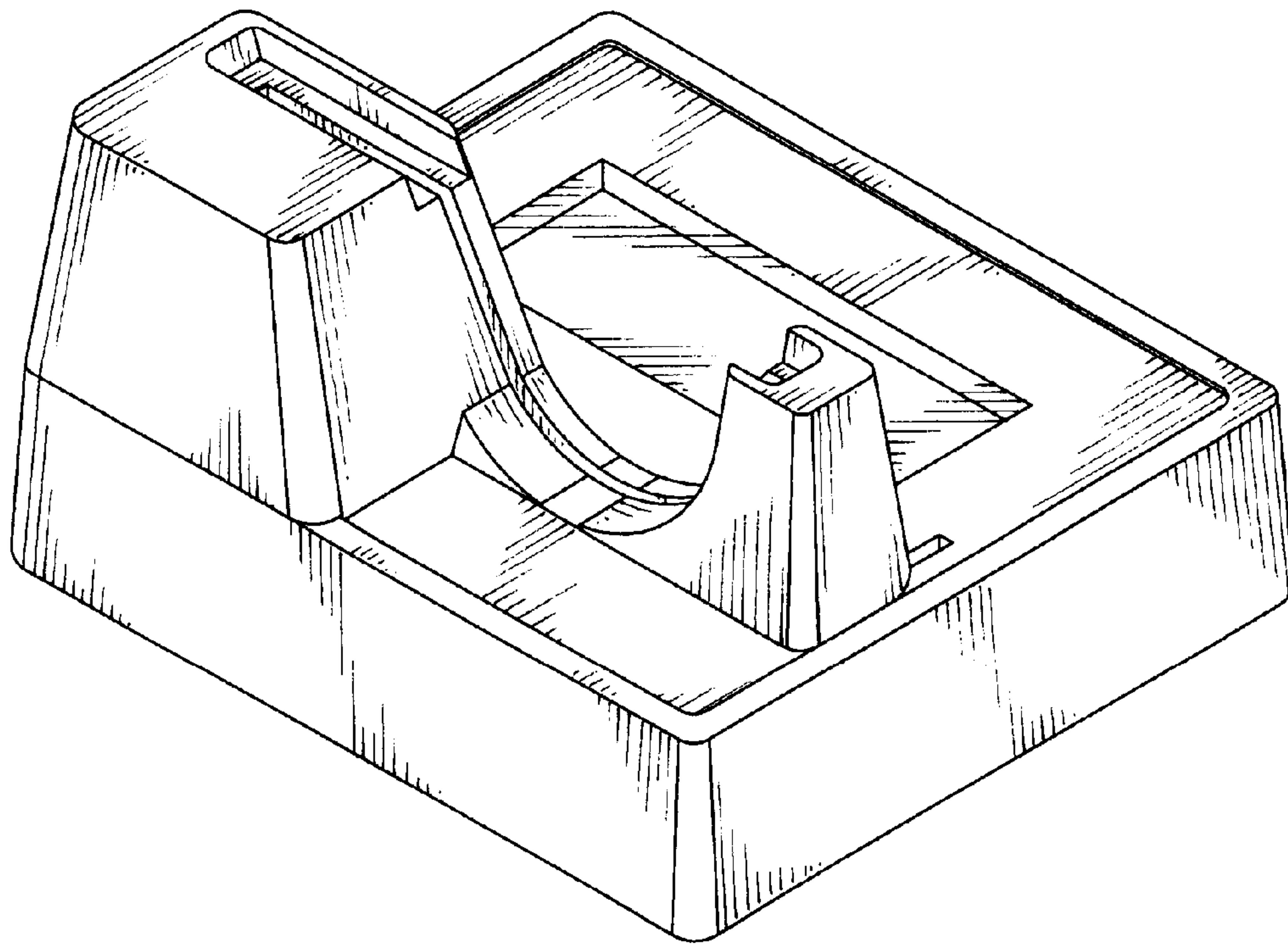


FIG. 1

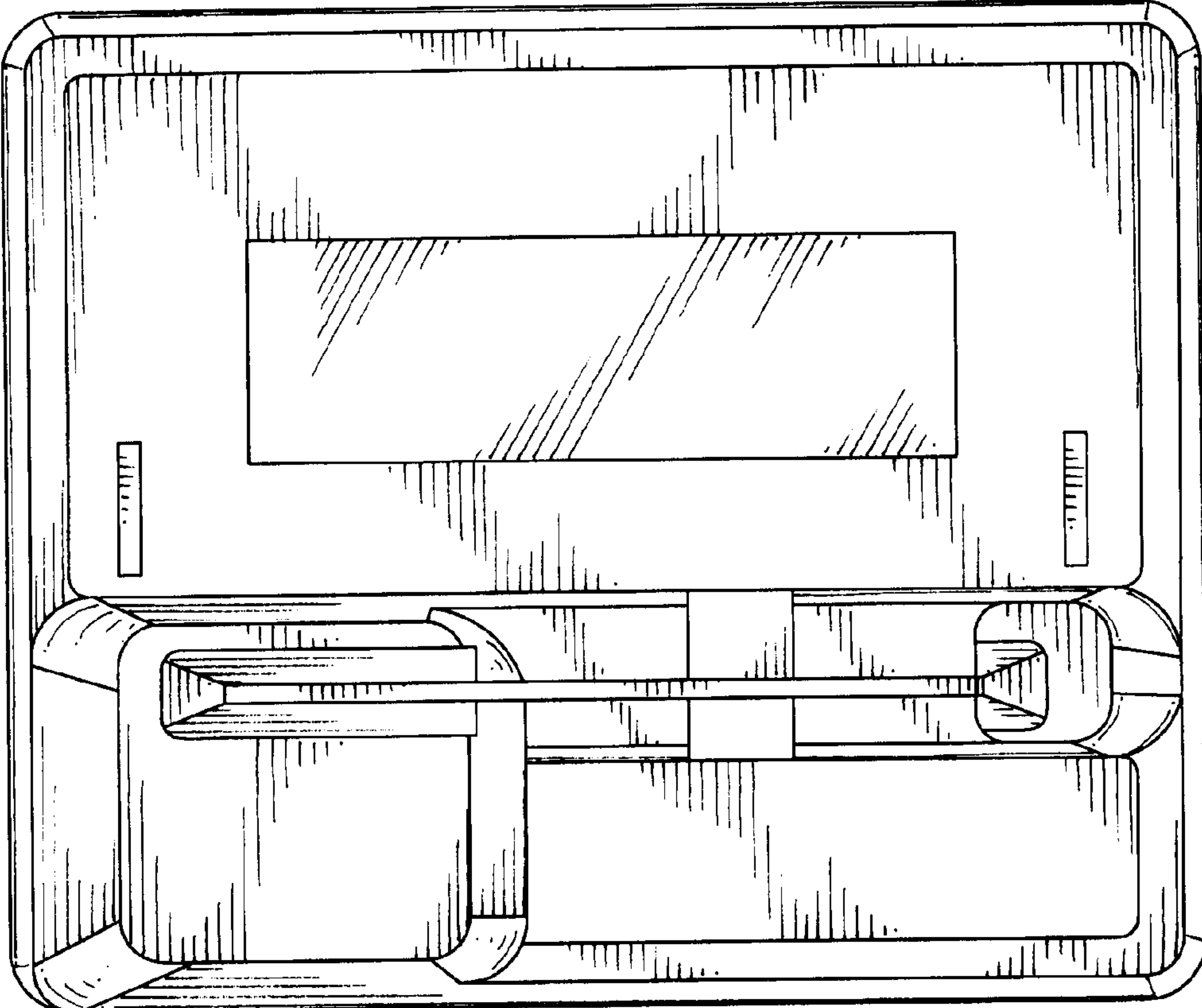


FIG. 2

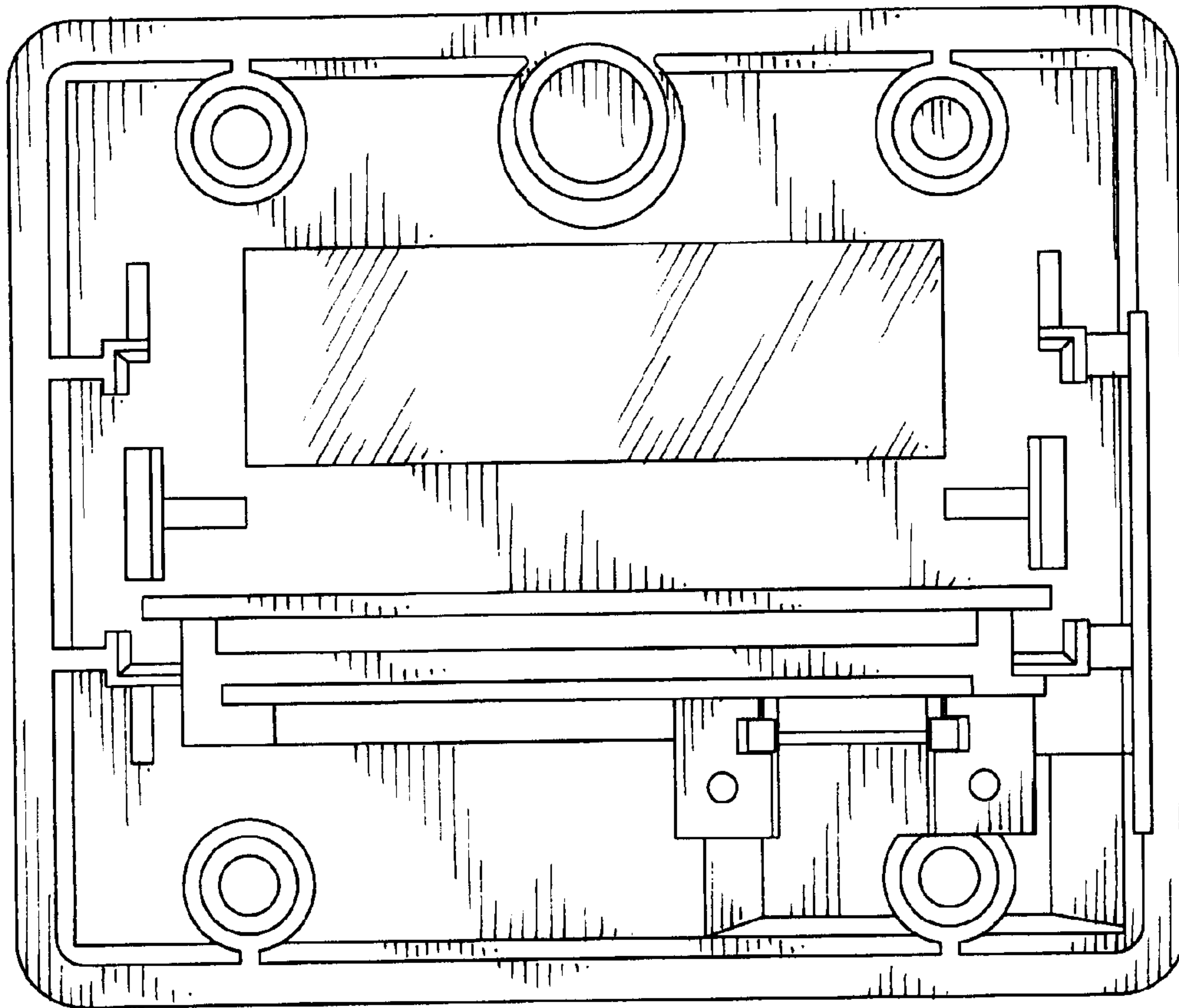


FIG. 3

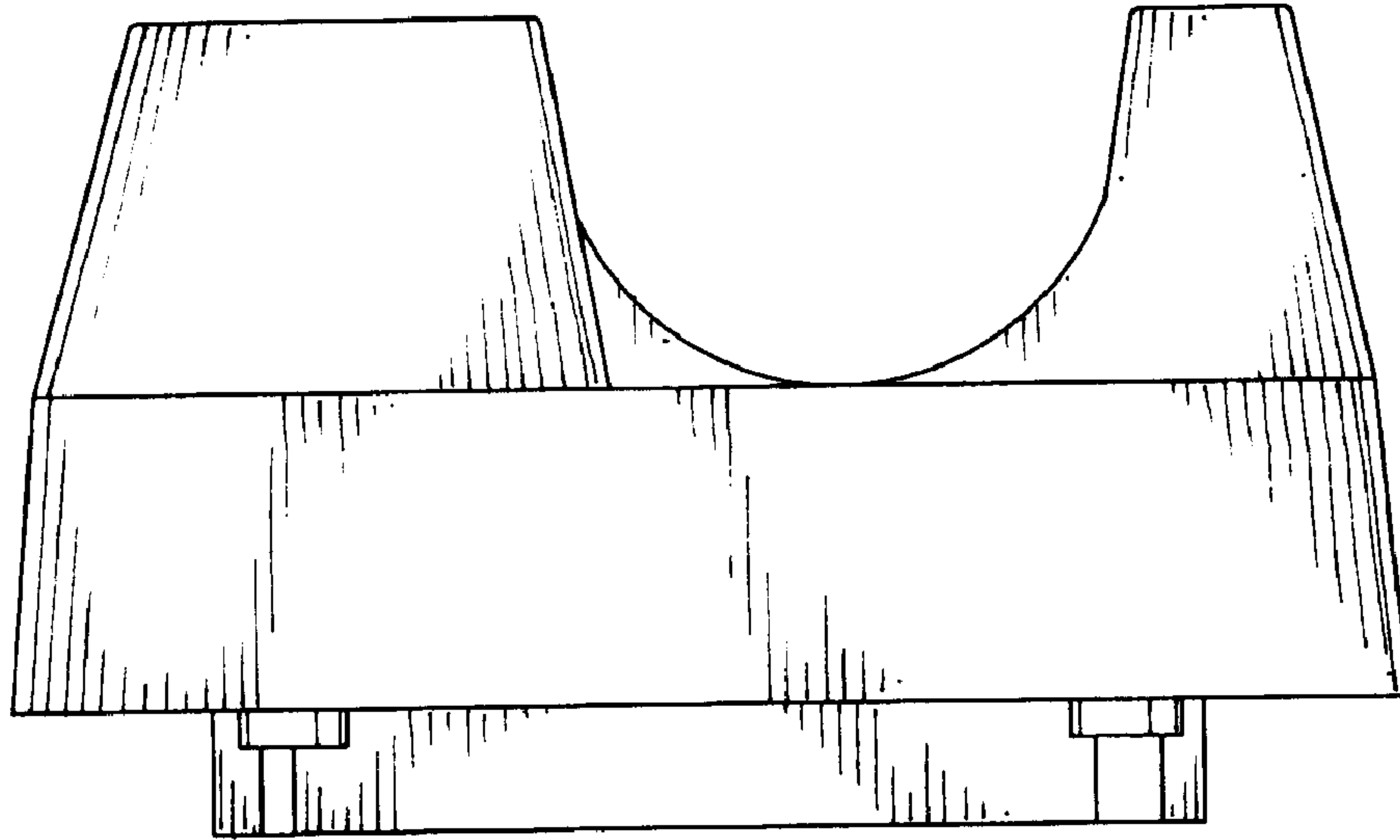


FIG. 4

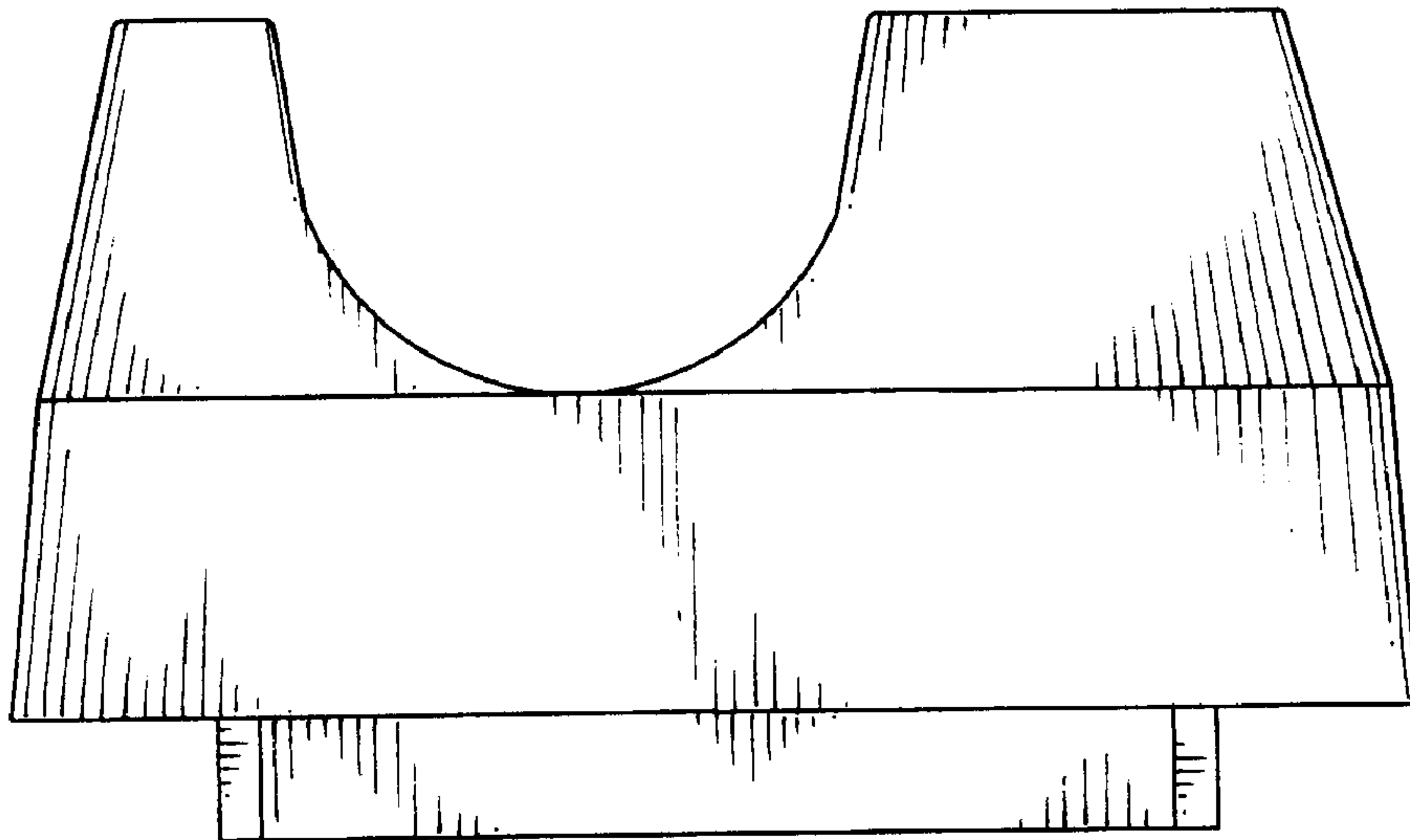


FIG. 5

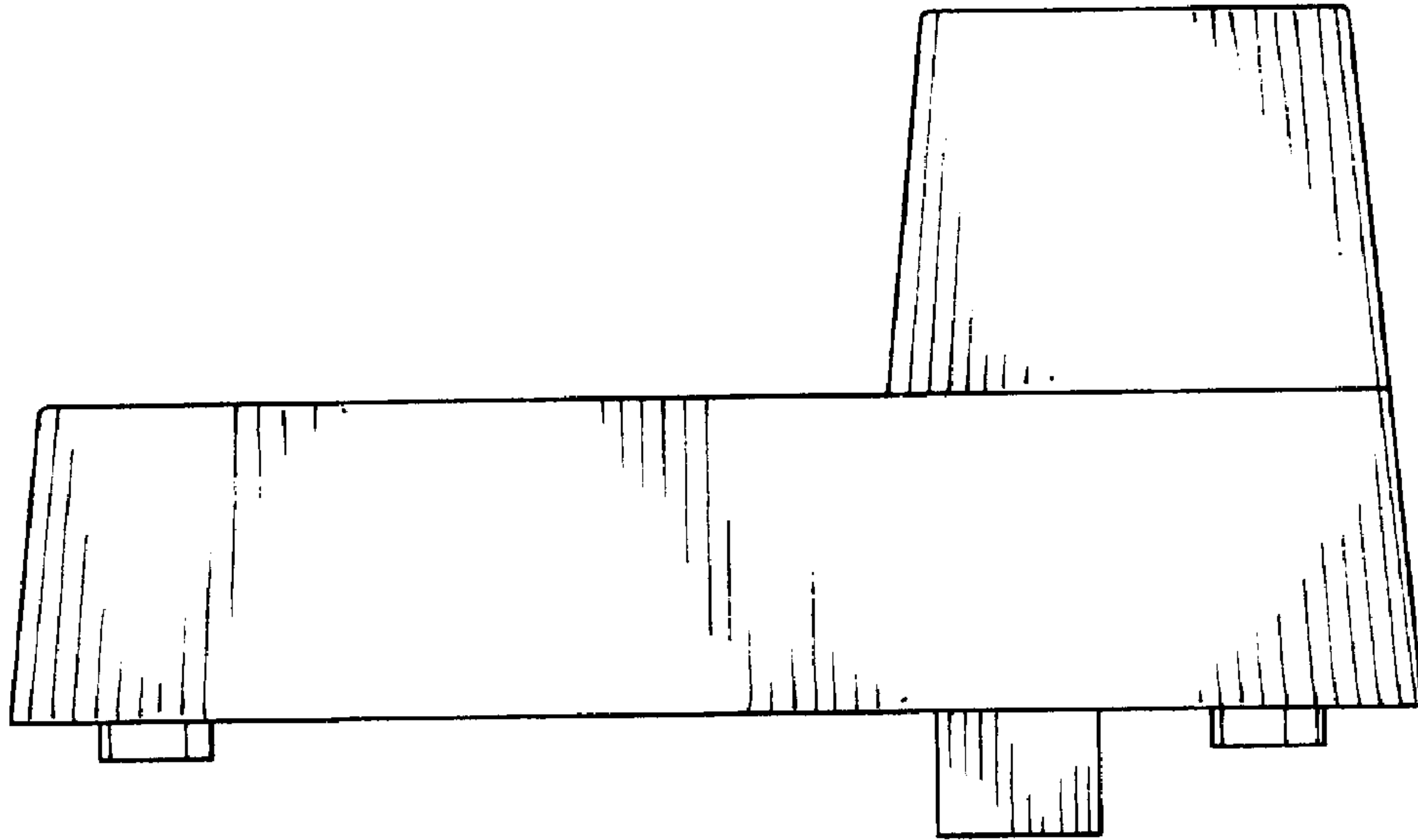


FIG. 6

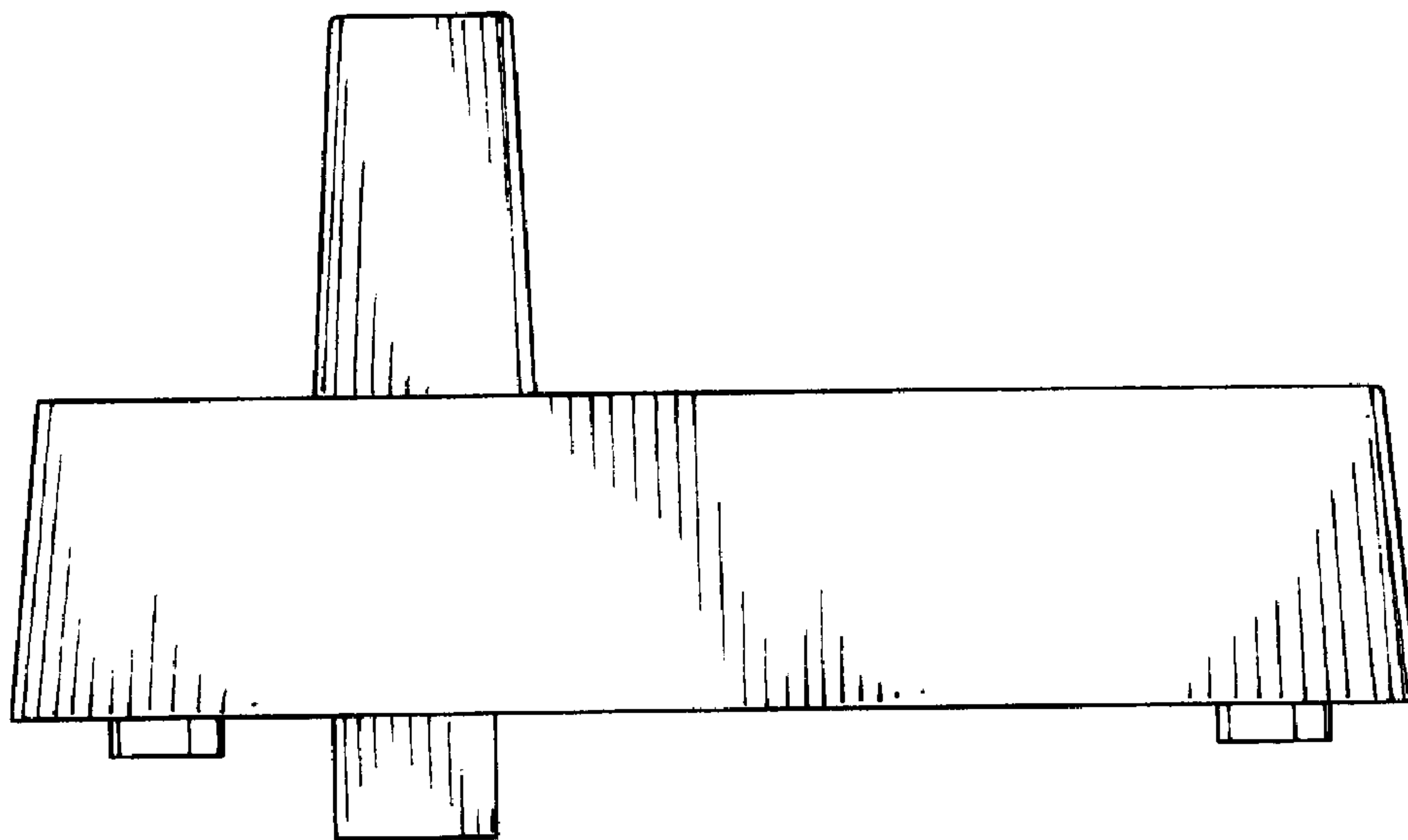


FIG. 7