



US00D515091S

(12) **United States Design Patent**
Huang

(10) **Patent No.:** **US D515,091 S**

(45) **Date of Patent:** **** Feb. 14, 2006**

- (54) **LIQUID CRYSTAL DISPLAY**
- (75) **Inventor:** **Ching-Hsien Huang**, Chunghe (TW)
- (73) **Assignee:** **AmTran Technologies Ltd.**, Taipei Hsien (TW)
- (**) **Term:** **14 Years**
- (21) **Appl. No.:** **29/215,560**
- (22) **Filed:** **Oct. 22, 2004**
- (51) **LOC (8) Cl.** **14-02**
- (52) **U.S. Cl.** **D14/375**
- (58) **Field of Classification Search** D14/371-376, D14/125-129; 345/104, 156, 168, 173, 901-905, 345/87; 348/180, 184, 325, 739; 248/917-924; 341/12; 349/1, 2, 11, 62
See application file for complete search history.

- D481,729 S * 11/2003 Olson et al. D14/375
- D482,688 S * 11/2003 Jung D14/375
- D490,428 S * 5/2004 Chou D14/375
- D496,046 S * 9/2004 Lo D14/375

* cited by examiner

Primary Examiner—Freda S. Nunn

(74) *Attorney, Agent, or Firm*—Leong C. Lei

(57) **CLAIM**

The ornamental design for a liquid crystal display, as shown and described.

DESCRIPTION

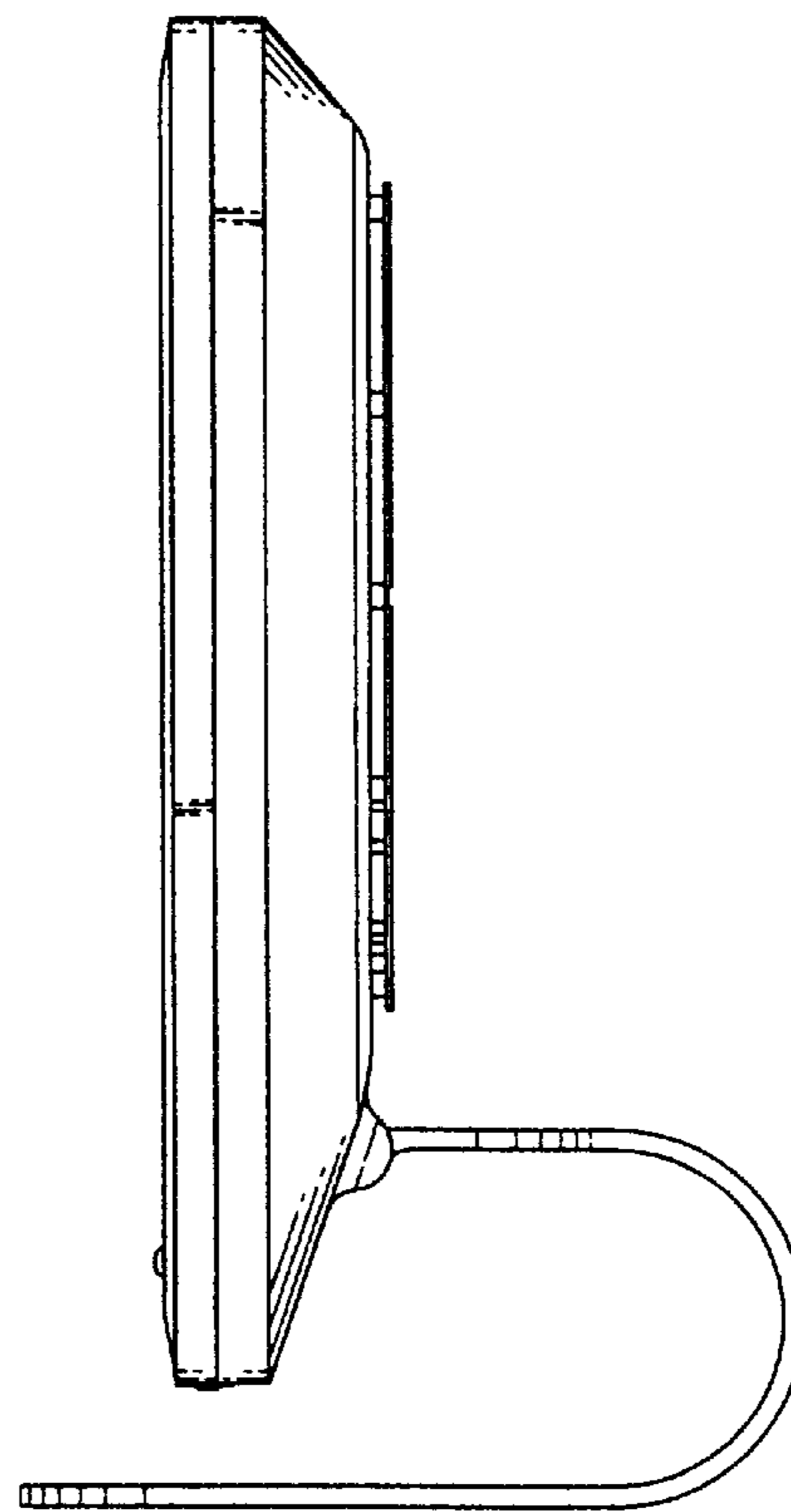
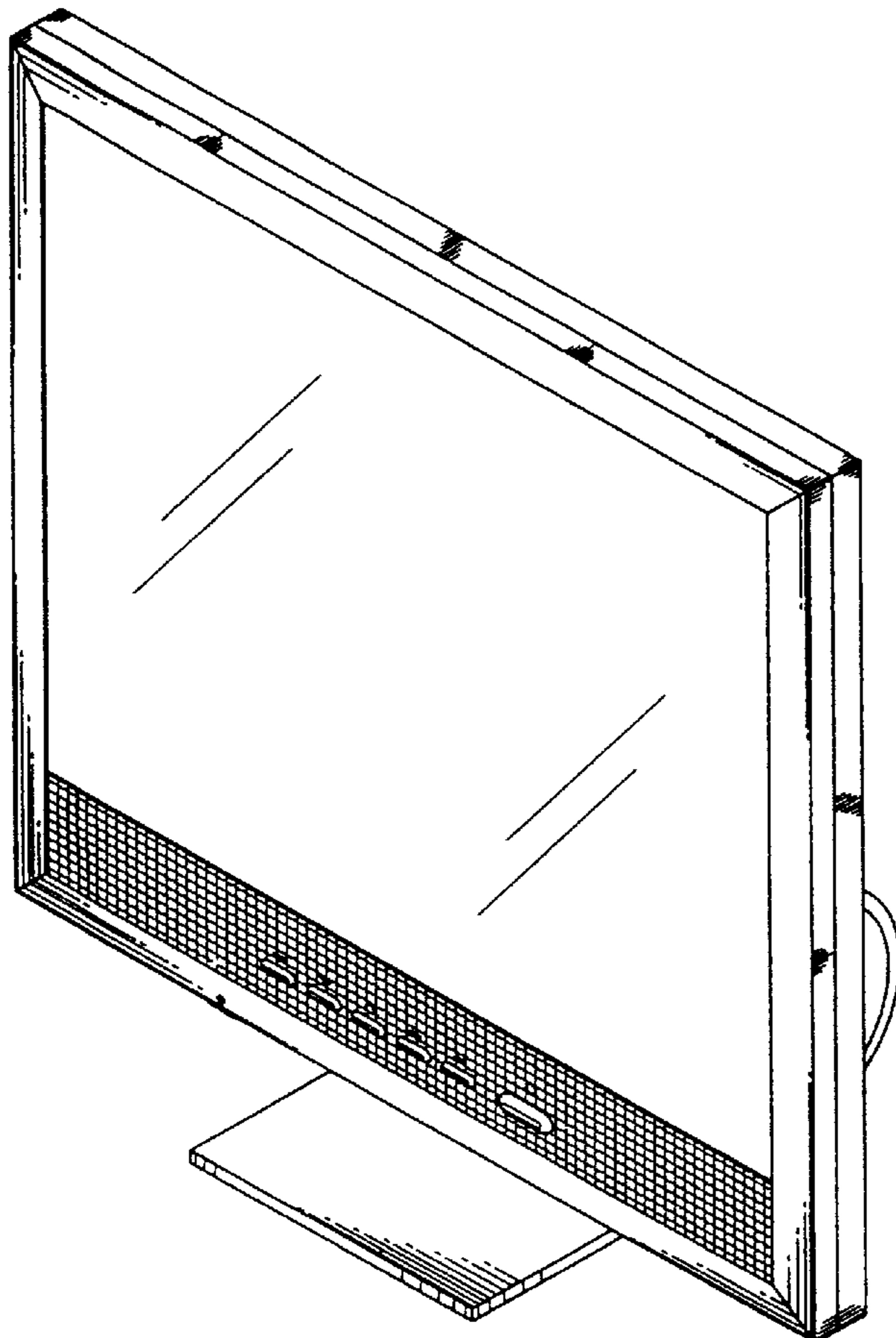
FIG. 1 is a perspective view of a liquid crystal display showing my new design;
 FIG. 2 is a front side elevation view thereof;
 FIG. 3 is a rear side elevation view thereof;
 FIG. 4 is a left side elevation view thereof;
 FIG. 5 is a right side elevation view thereof;
 FIG. 6 is a top plan view thereof; and,
 FIG. 7 is a bottom plan view thereof.

(56) **References Cited**

U.S. PATENT DOCUMENTS

- D476,335 S * 6/2003 Miao et al. D14/375

1 Claim, 5 Drawing Sheets



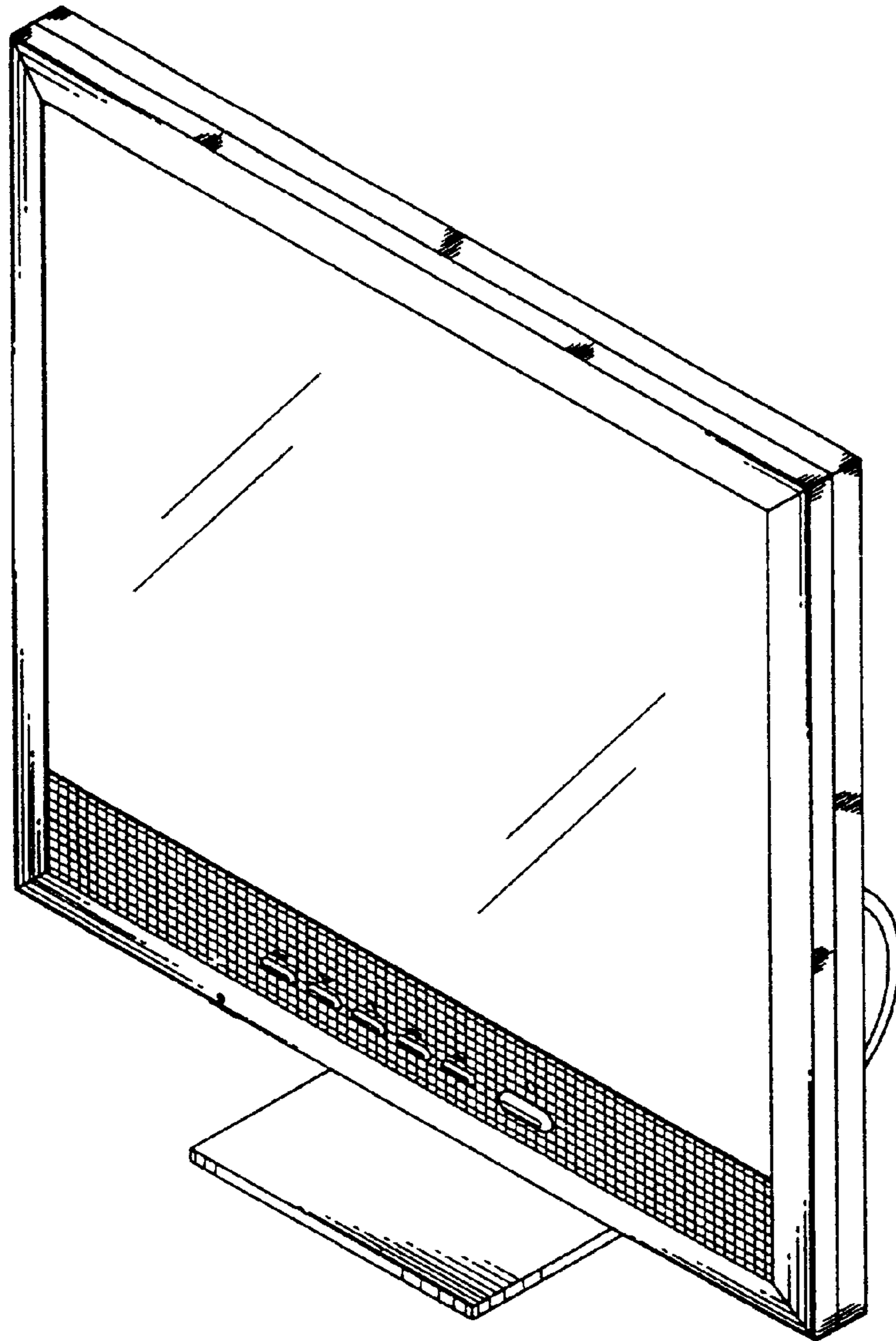


FIG. 1

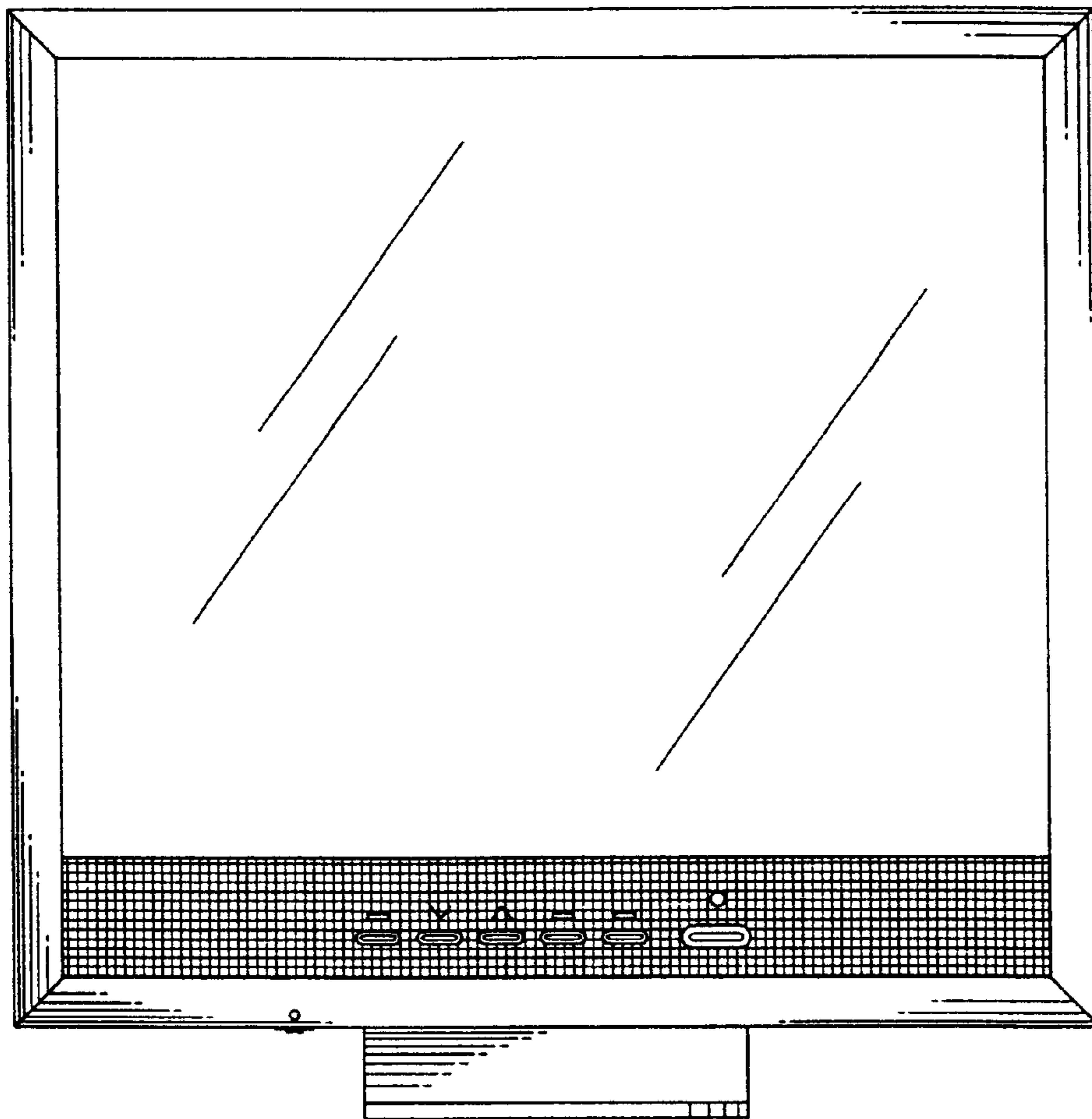


FIG. 2

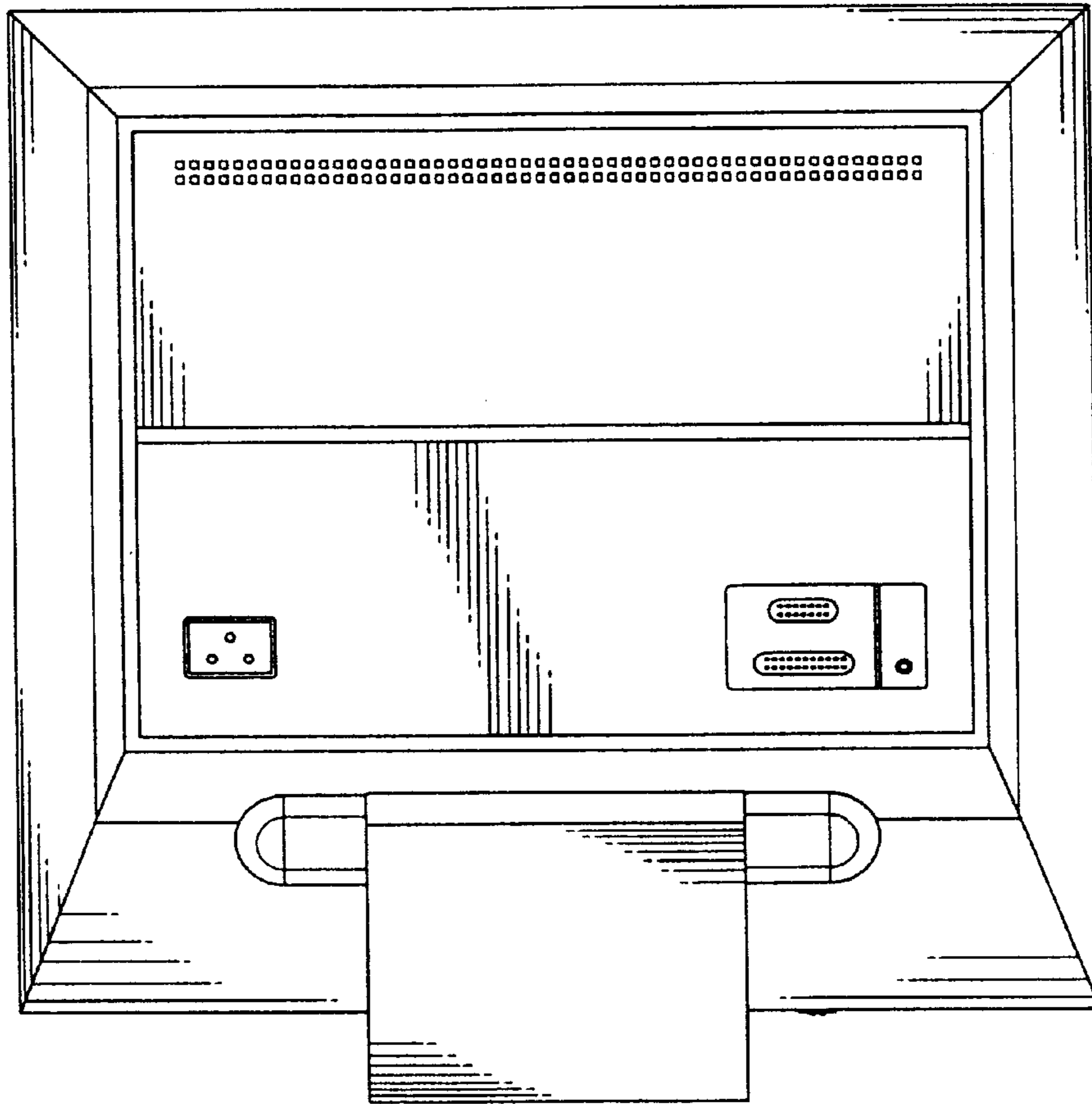


FIG. 3

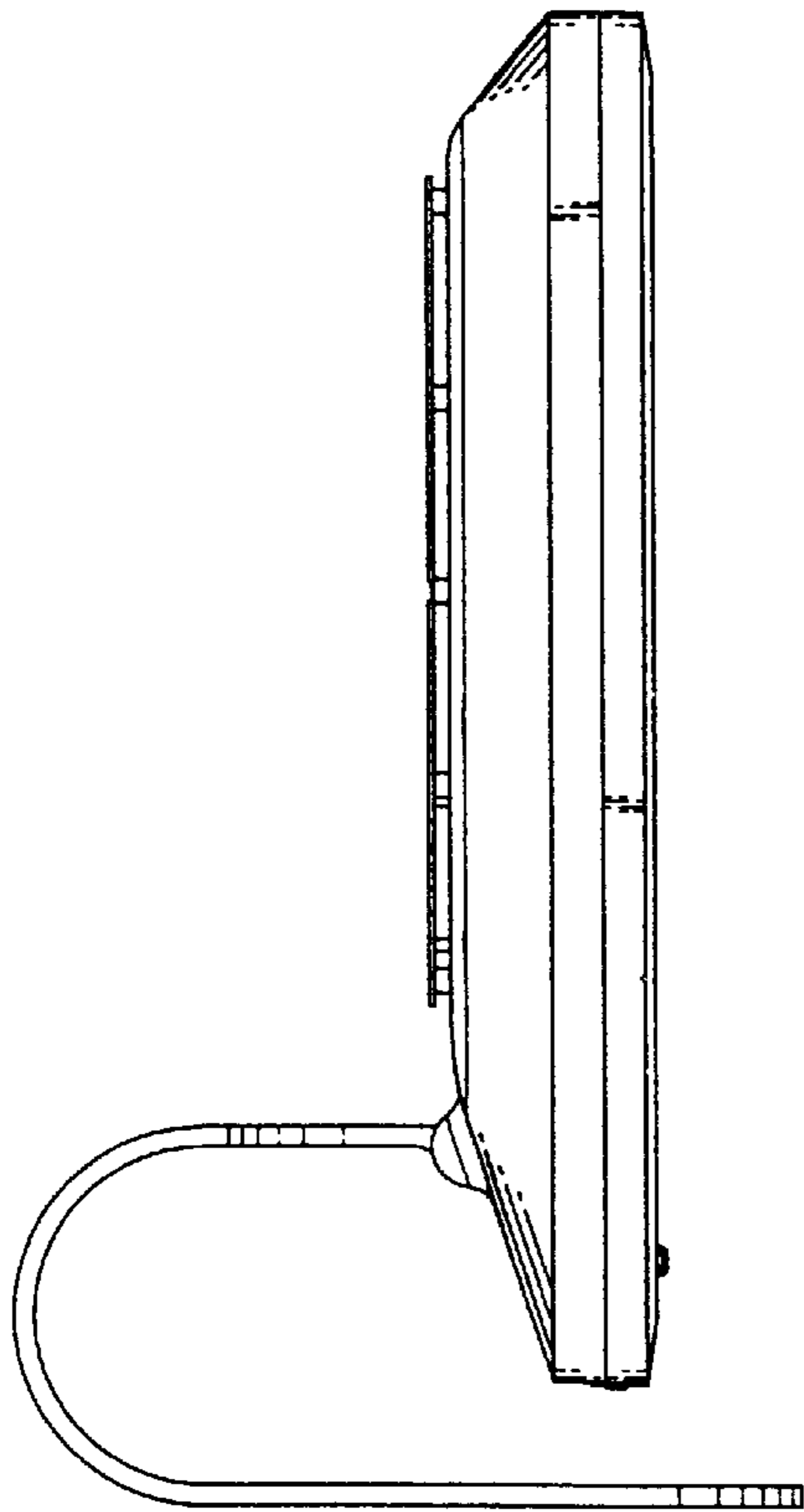


FIG. 4

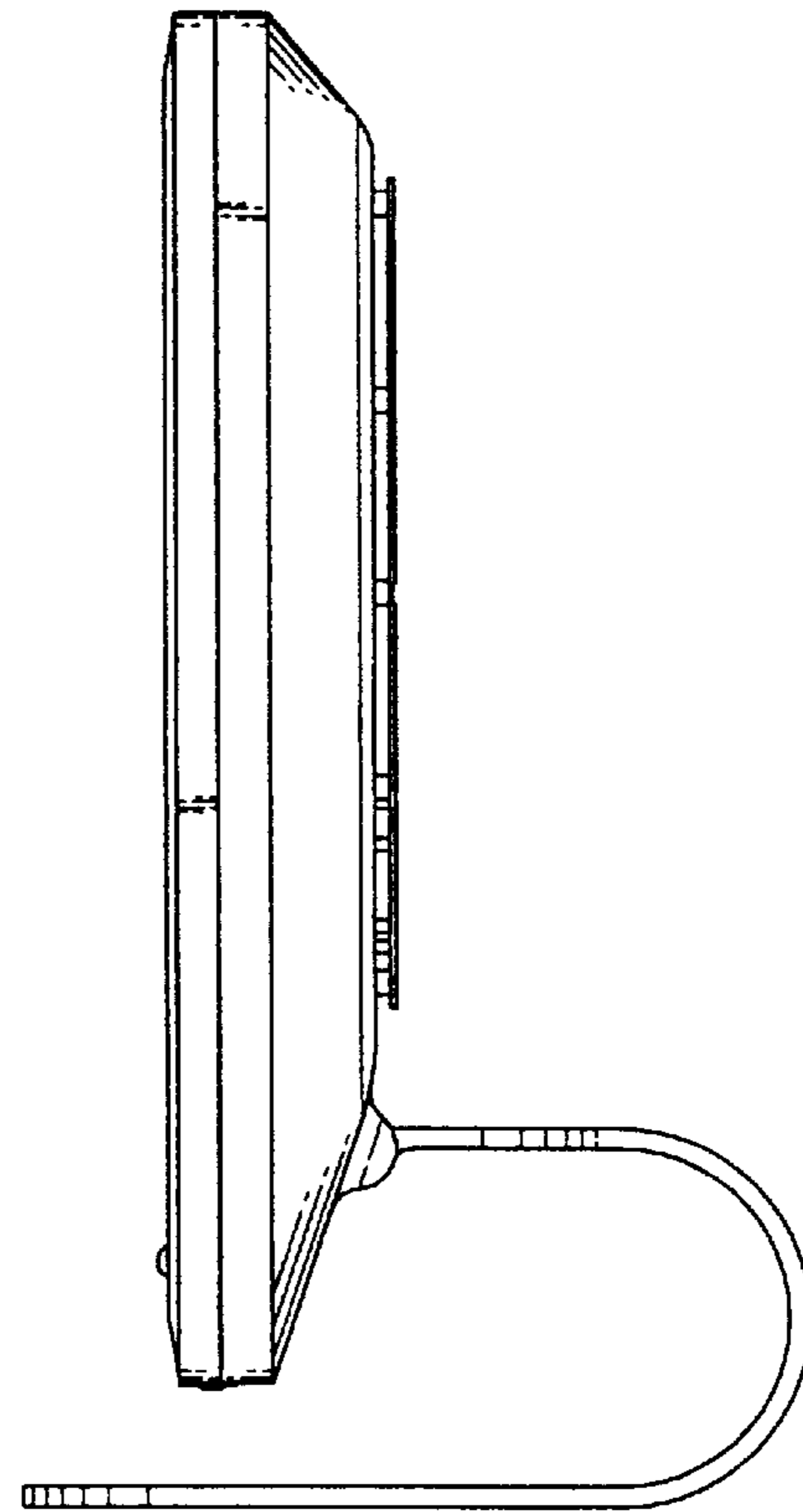


FIG. 5

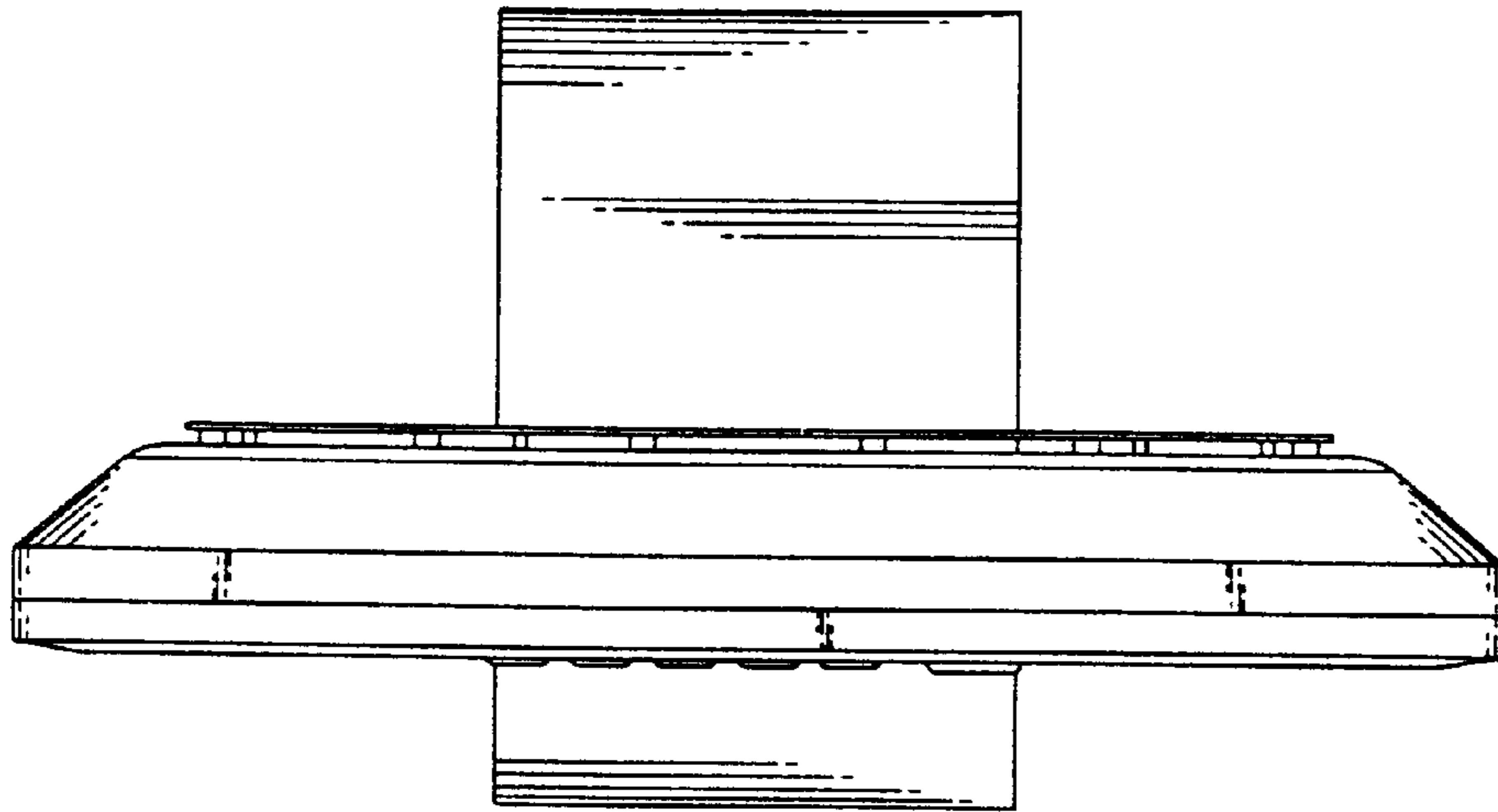


FIG. 6

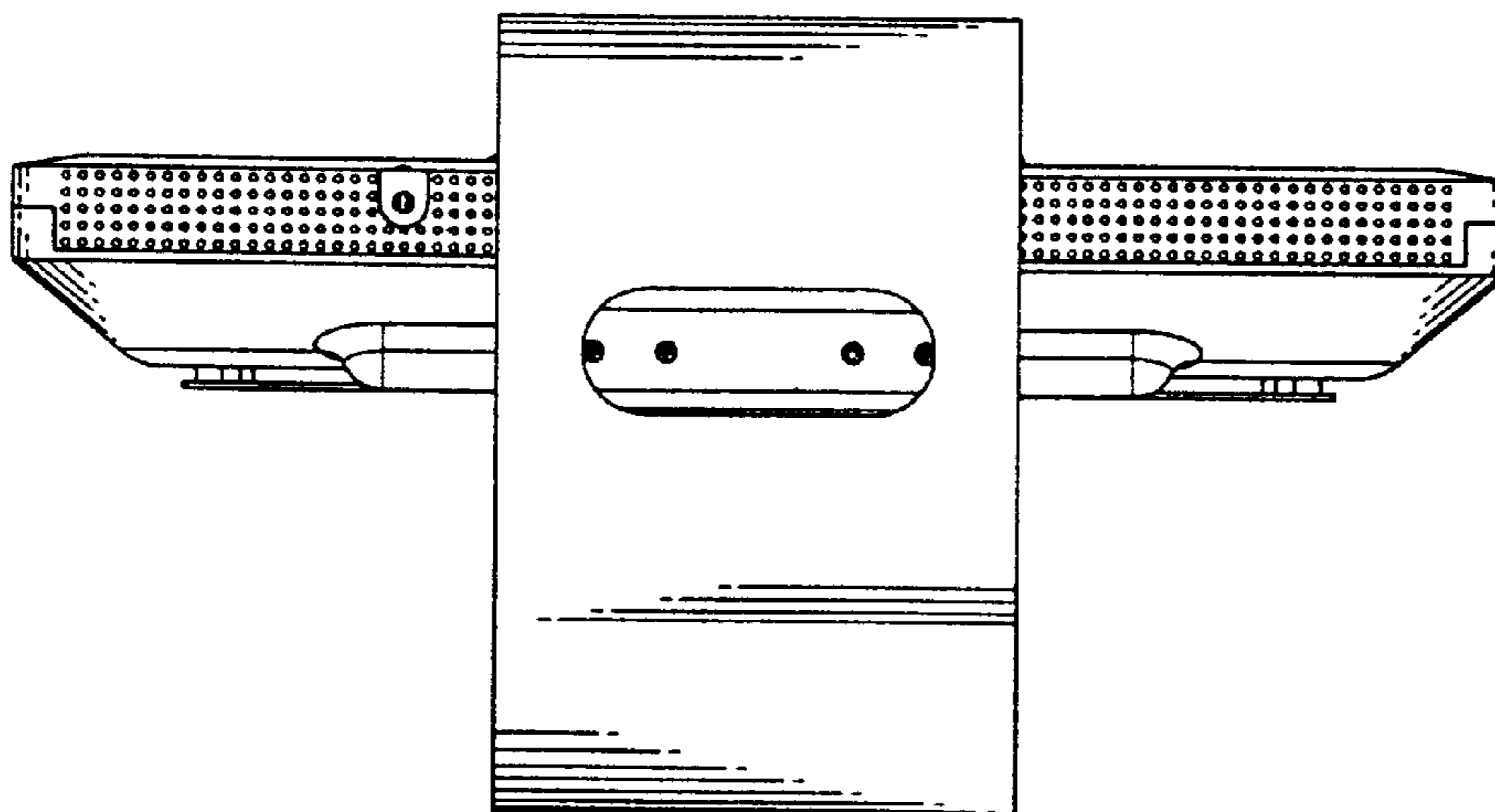


FIG. 7