



US00D515090S

(12) **United States Design Patent**
Huang

(10) **Patent No.:** **US D515,090 S**

(45) **Date of Patent:** **** Feb. 14, 2006**

(54) **HARD DISK ENCLOSURE**

(75) Inventor: **Eugene Huang**, Jhoghe (TW)

(73) Assignee: **Omega Technology of Taiwan, Inc.**,
Taipei (TW)

(**) Term: **14 Years**

(21) Appl. No.: **29/203,756**

(22) Filed: **Apr. 20, 2004**

(51) **LOC (8) Cl.** **14-02**

(52) **U.S. Cl.** **D14/367**

(58) **Field of Classification Search** D14/348,
D14/353, 355, 356, 363, 367; 312/332.1;
361/621, 679, 683-686; 360/97.01
See application file for complete search history.

(56) **References Cited**

U.S. PATENT DOCUMENTS

D311,740 S * 10/1990 Wagner D14/358
5,130,891 A * 7/1992 Christie 361/726

D396,706 S * 8/1998 Rao D14/433
6,061,244 A * 5/2000 O'Sullivan et al. 361/727
6,351,374 B1 * 2/2002 Sherry 361/685

* cited by examiner

Primary Examiner—Alan P. Douglas

Assistant Examiner—Susan Moon Lee

(74) *Attorney, Agent, or Firm*—Rosenberg, Klein & Lee

(57) **CLAIM**

The ornamental design for a hard disk enclosure, as shown and described.

DESCRIPTION

FIG. 1 is a Perspective view of a hard disk enclosure showing my new design;

FIG. 2 is a Front view thereof;

FIG. 3 is a Rear view thereof;

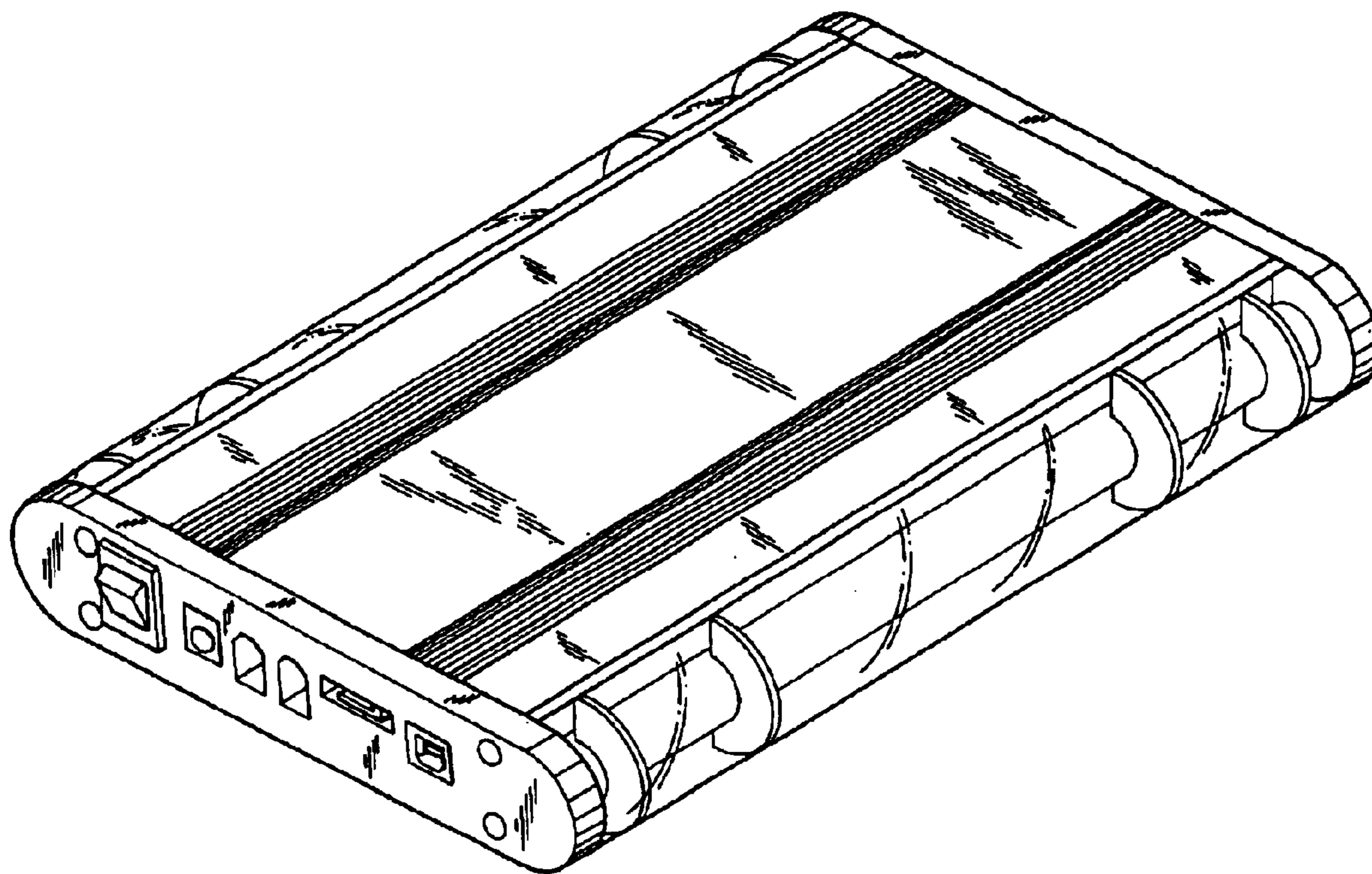
FIG. 4 is a Left side view thereof;

FIG. 5 is a Right side view thereof;

FIG. 6 is a Top plan view thereof; and,

FIG. 7 is a Bottom plan view thereof.

1 Claim, 7 Drawing Sheets



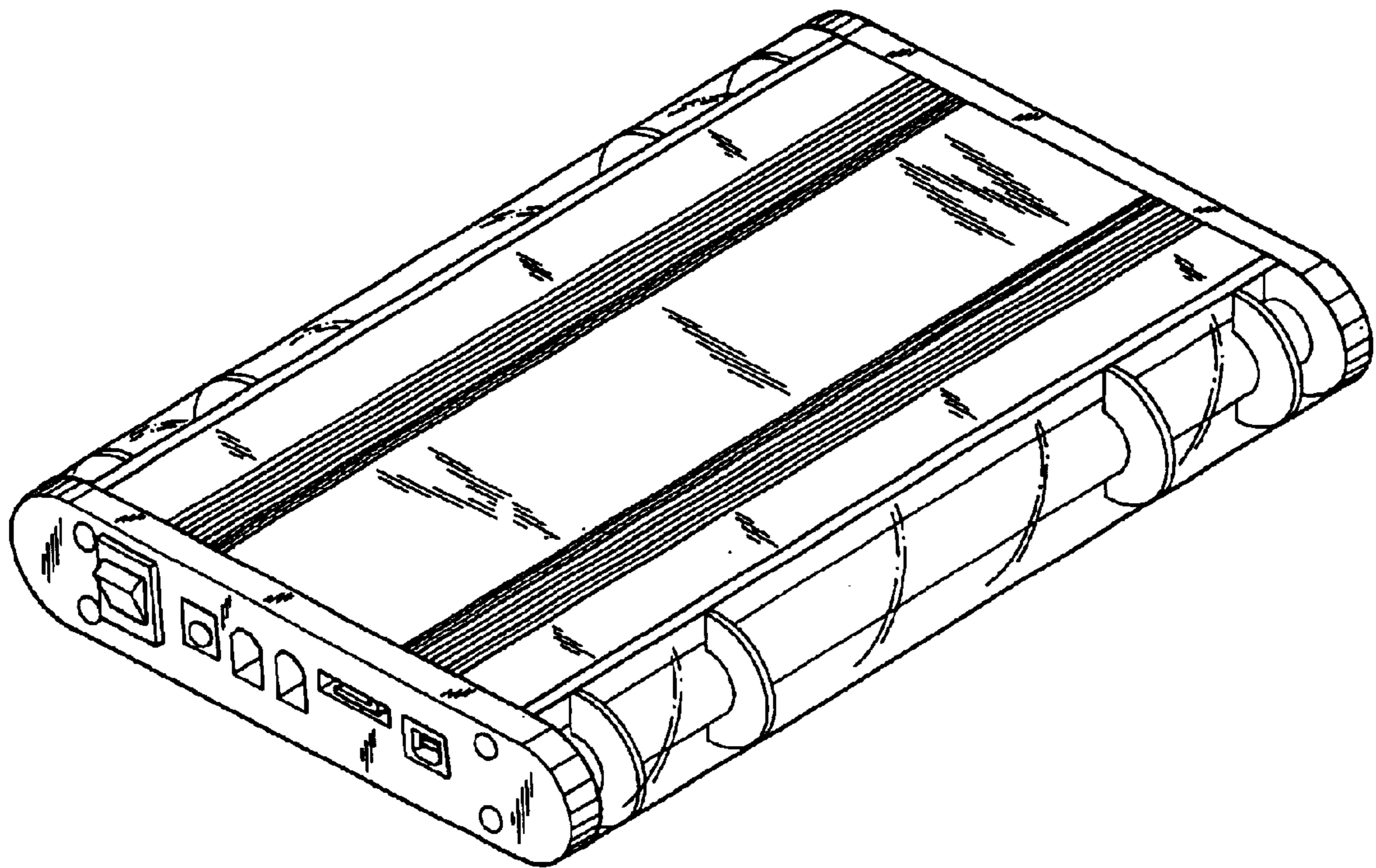


FIG. 1

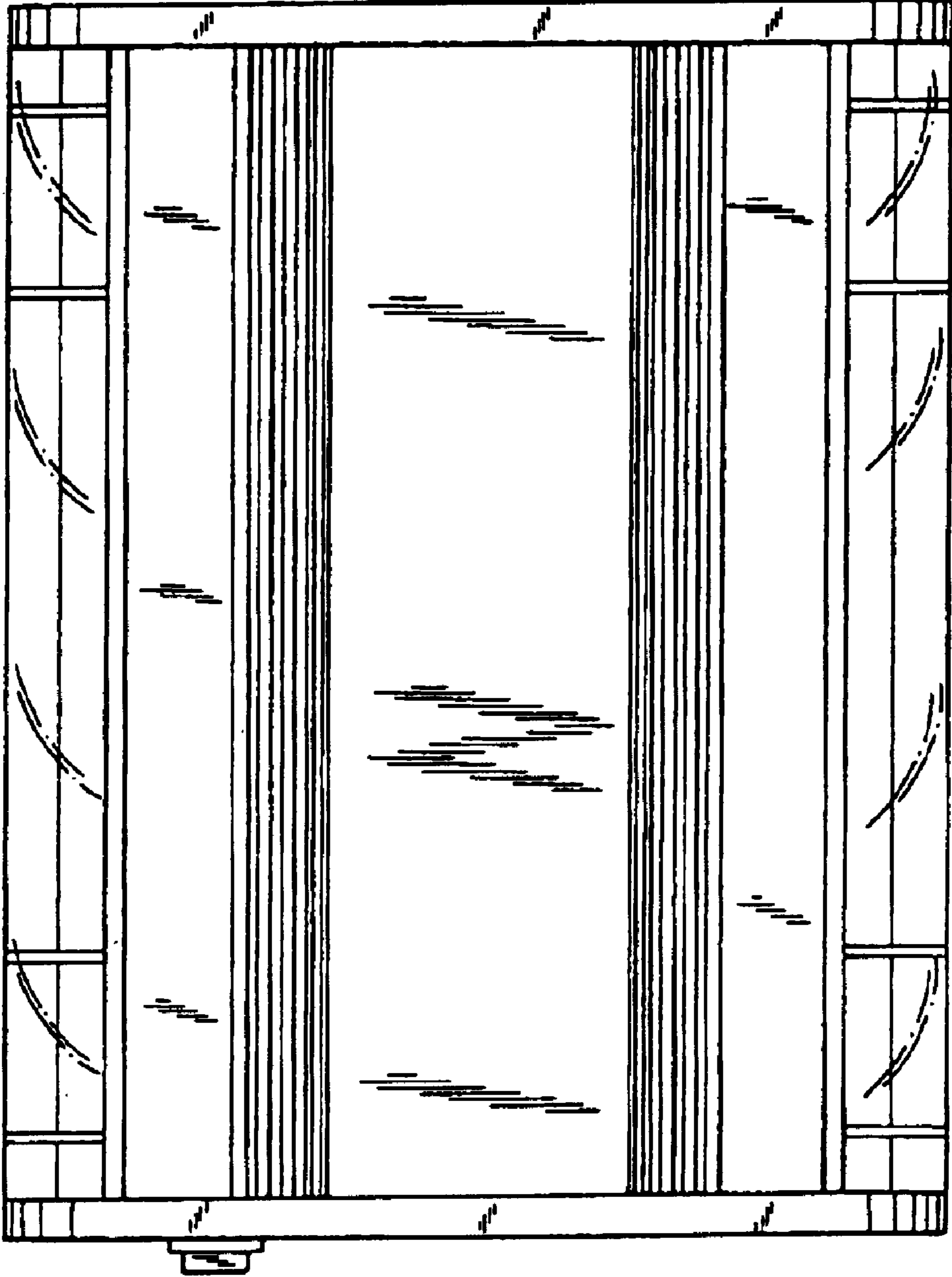


FIG. 2

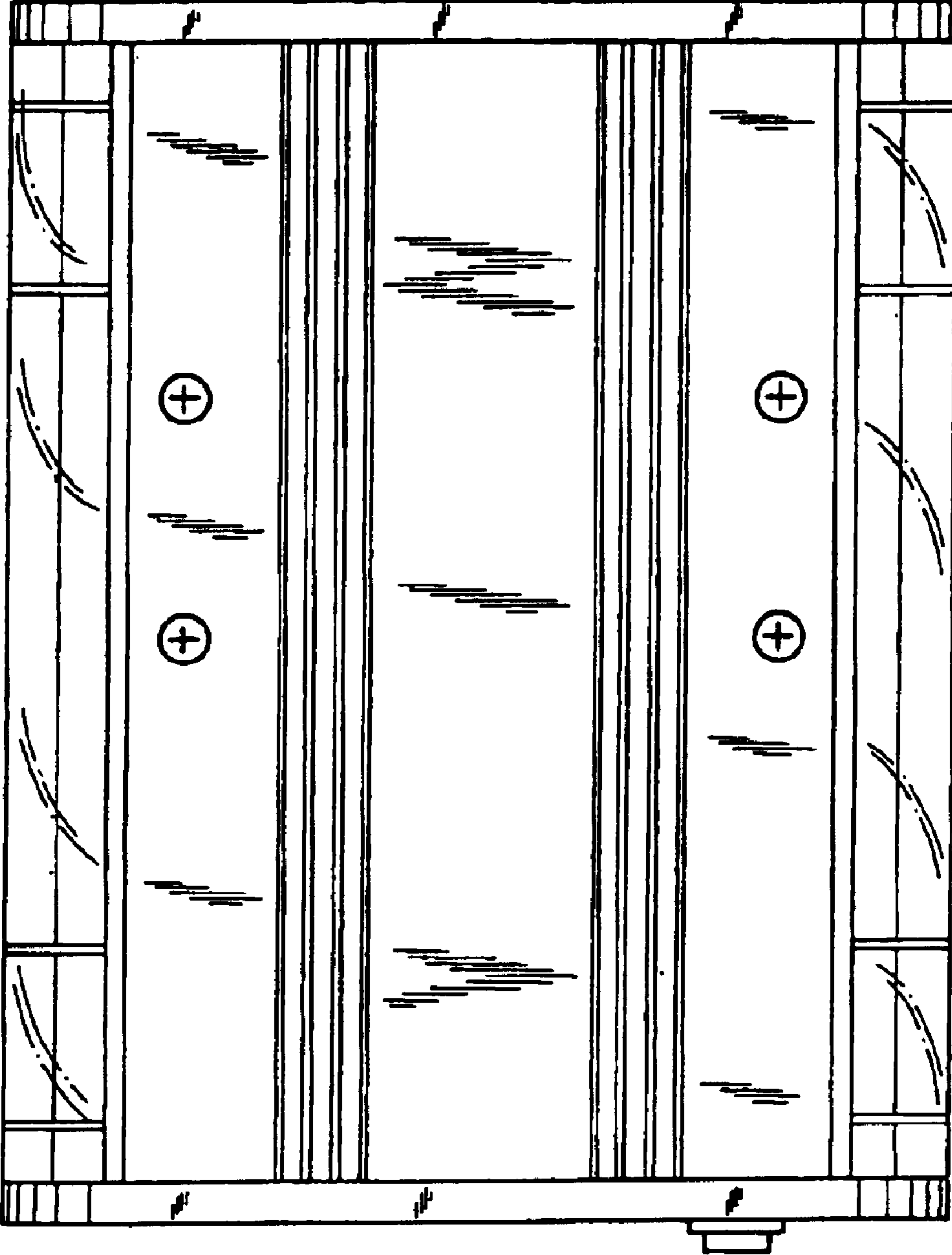


FIG. 3



FIG. 4

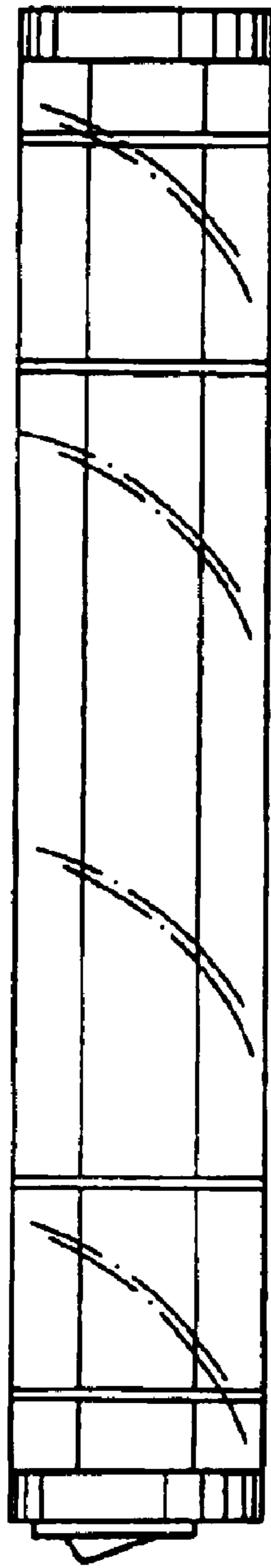


FIG. 5

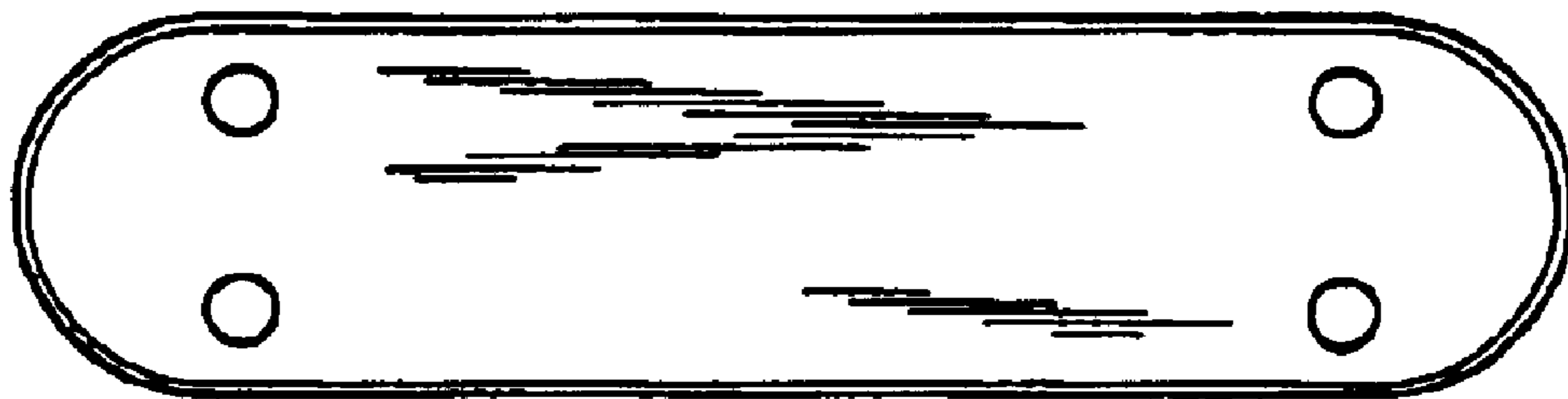


FIG. 6

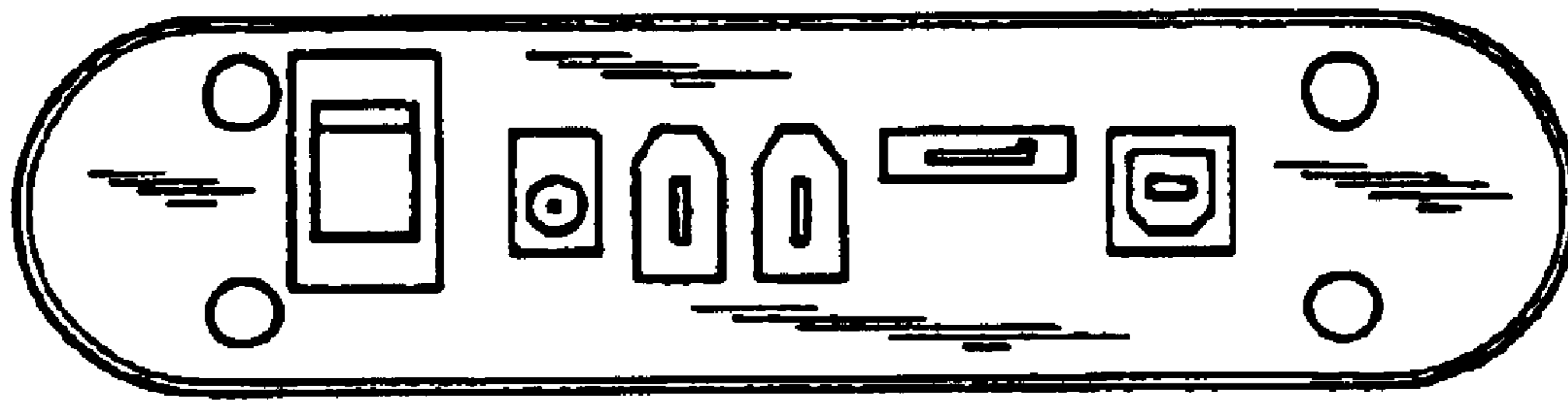


FIG. 7