



US00D515087S

(12) **United States Design Patent**  
**Reusing et al.**

(10) **Patent No.: US D515,087 S**  
(45) **Date of Patent: \*\* Feb. 14, 2006**

(54) **MECHANICAL CASING FOR A USB OR FIREWIRE PORT DATA STORAGE DEVICE**

(75) Inventors: **Lawrence C. Reusing**, Newport Beach, CA (US); **Eric Ferry**, Montreal (CA); **Yvan Laporte**, Longueuil (CA)

(73) Assignee: **Memory Experts International, Inc.**, Santa Ana, CA (US)

(\*\*) Term: **14 Years**

(21) Appl. No.: **29/210,556**

(22) Filed: **Aug. 3, 2004**

(51) **LOC (8) Cl.** ..... **14-02**

(52) **U.S. Cl.** ..... **D14/356**

(58) **Field of Classification Search** ..... D14/356,  
D14/242, 436, 433; 360/97.01; 361/685,  
361/686, 752, 737; 439/135, 144, 139-141,  
439/147, 136, 638, 518; 365/51, 63, 131;  
710/52, 300

See application file for complete search history.

(56) **References Cited**

**U.S. PATENT DOCUMENTS**

D462,689 S	9/2002	Moran	
D463,426 S	9/2002	Cheng	
6,456,500 B1 *	9/2002	Chen	361/752
D470,499 S *	2/2003	Salazar et al.	D14/436
6,522,534 B1 *	2/2003	Wu	361/686

D471,516 S *	3/2003	Tsay et al.	D13/107
D475,996 S *	6/2003	Skulley	D14/240
2002/0177362 A1 *	11/2002	Chang	439/638
2003/0099090 A1 *	5/2003	Su	361/685
2003/0103369 A1 *	6/2003	Wu	365/131

\* cited by examiner

*Primary Examiner*—Alan P. Douglas

*Assistant Examiner*—Susan Moon Lee

(74) *Attorney, Agent, or Firm*—Stetina Brunda Garred & Brucker

(57) **CLAIM**

The ornamental design for a mechanical casing for a USB or firewire port data storage device, as shown and described.

**DESCRIPTION**

FIG. 1 is a front perspective view of the mechanical casing for a USB or firewire port data storage device of the present invention.

FIG. 2 is a bottom end view thereof;

FIG. 3 is a top end view thereof;

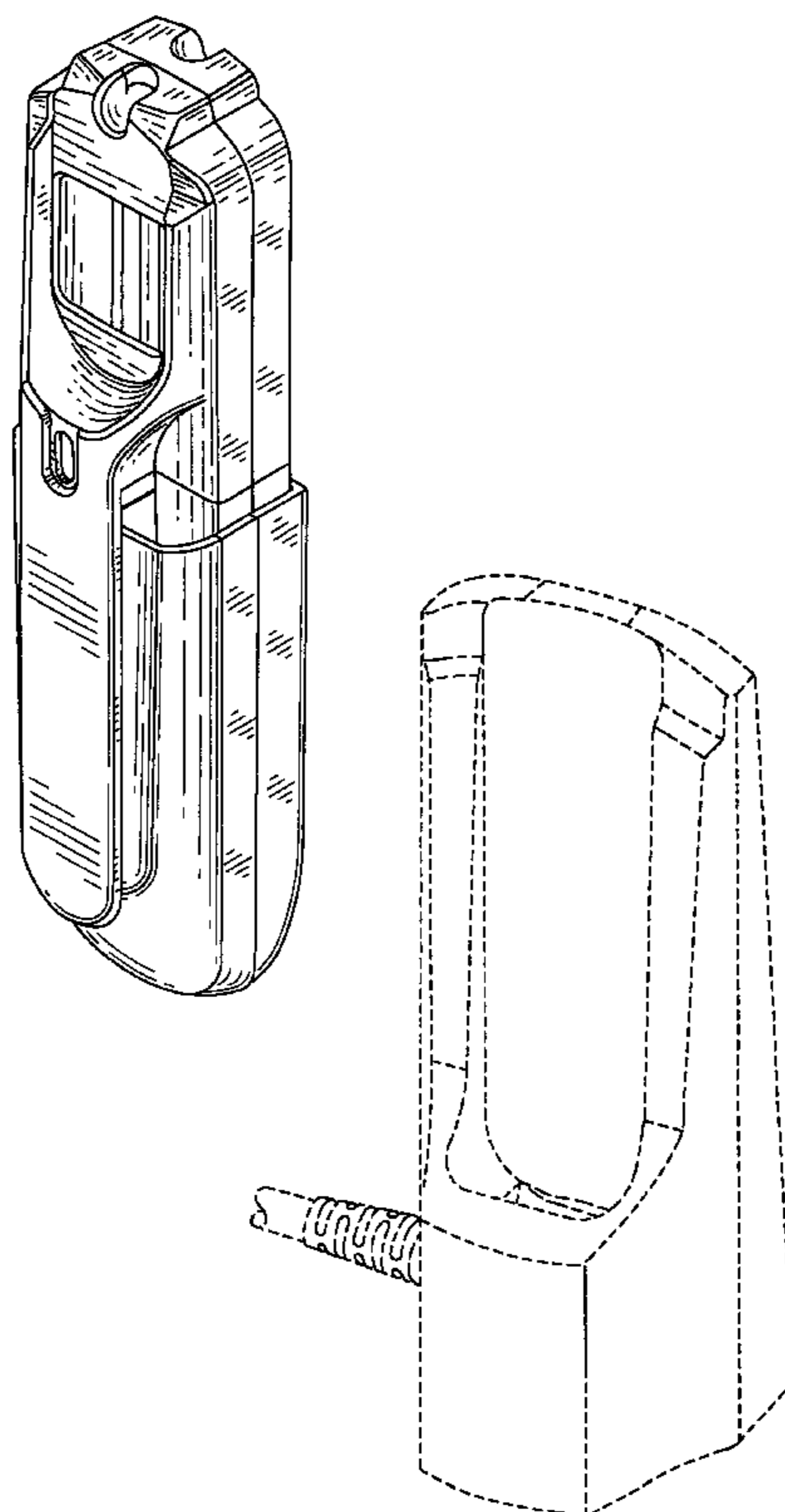
FIG. 4 is a top plan view thereof;

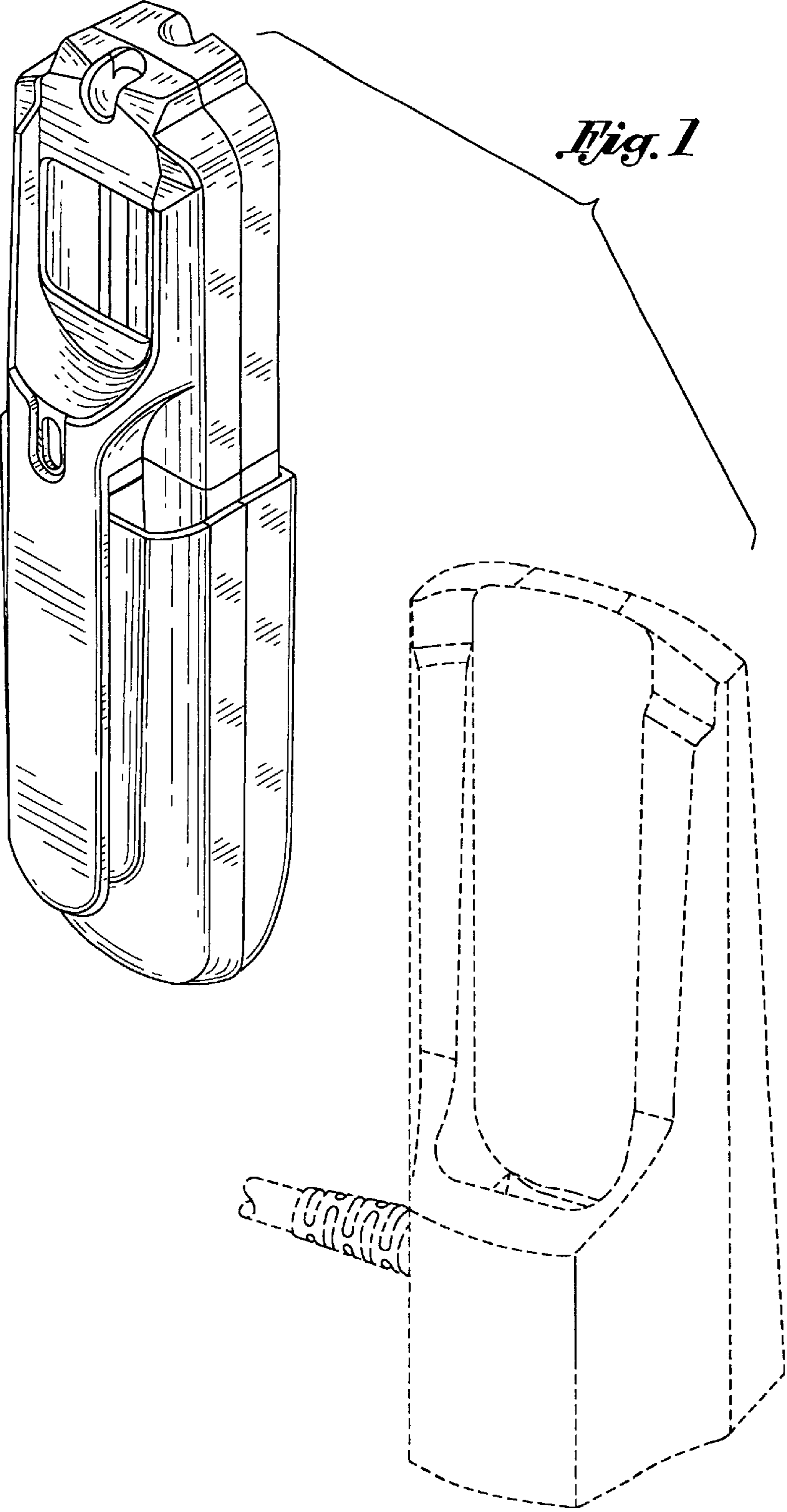
FIG. 5 is a left side elevational view, the right side elevational view being a mirror image thereof; and,

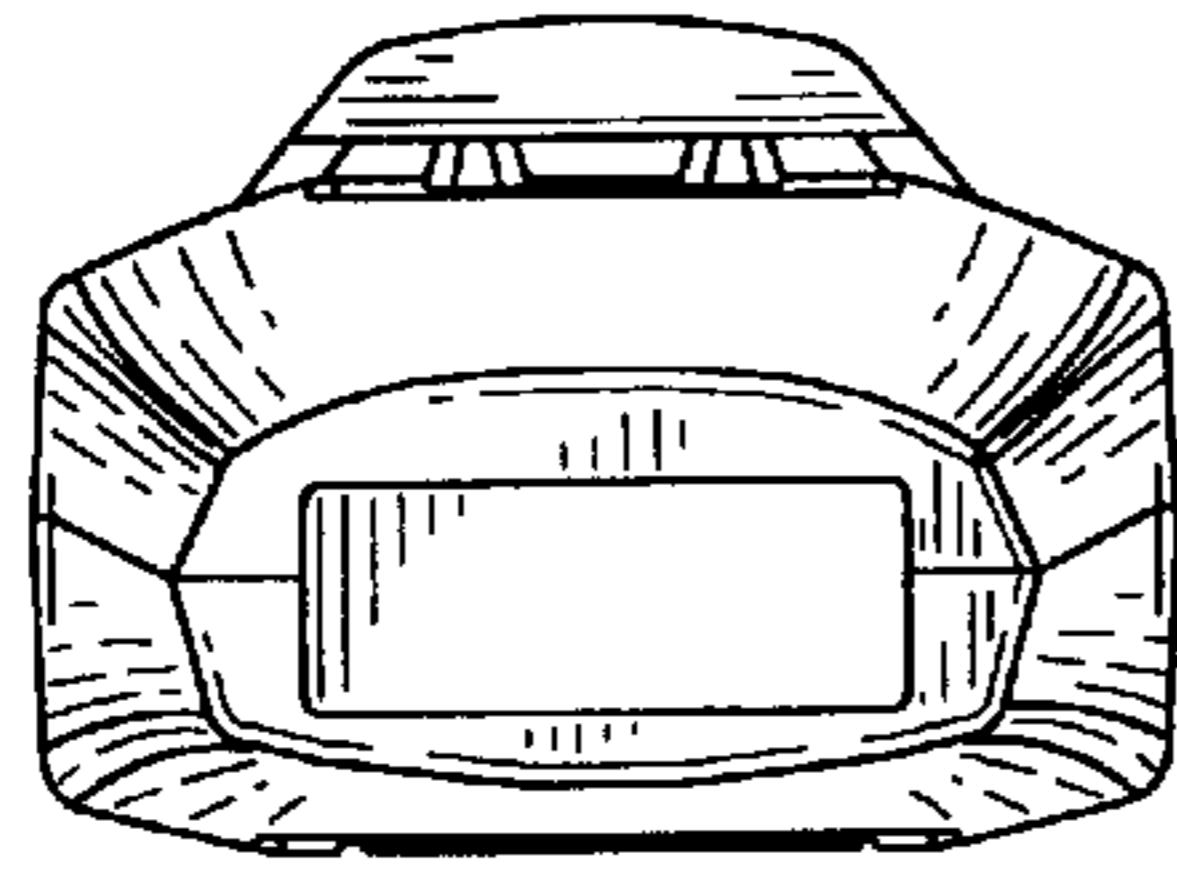
FIG. 6 is a bottom plan view thereof.

The broken line showing of a stand in FIG. 1 is for illustrative purposes only and forms no part of the claimed design.

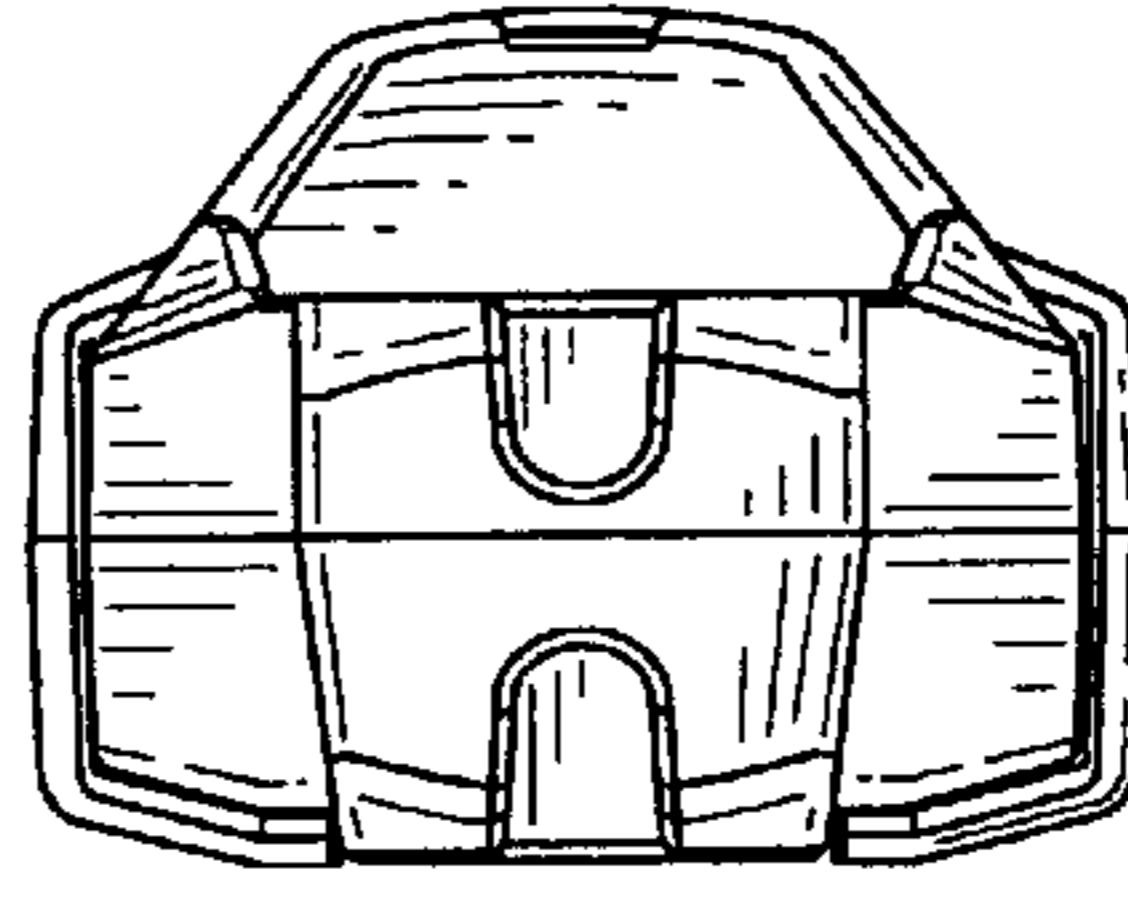
**1 Claim, 2 Drawing Sheets**



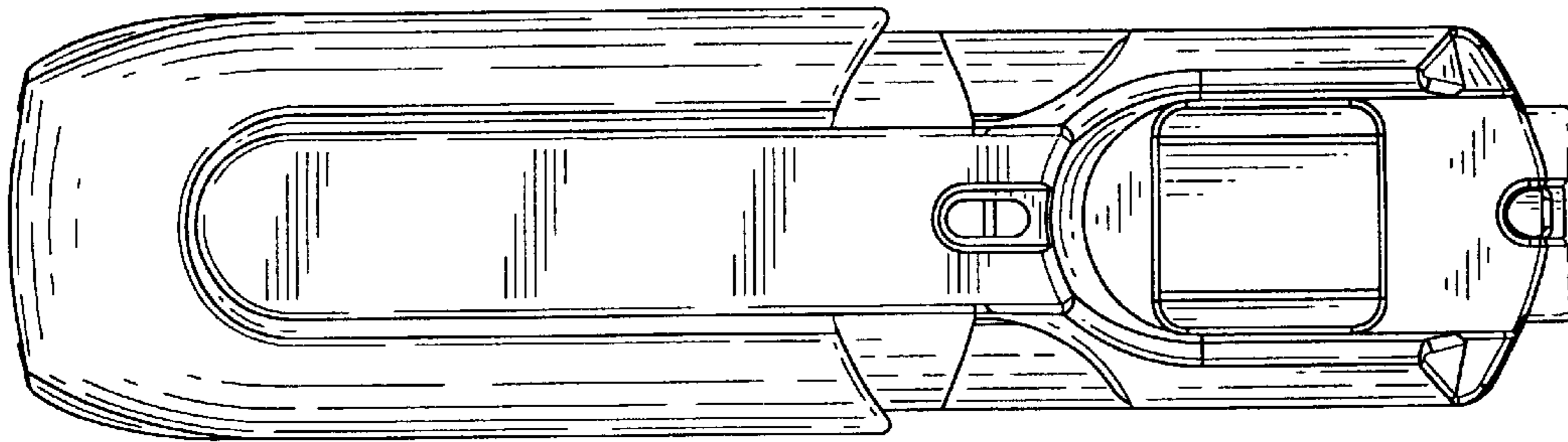




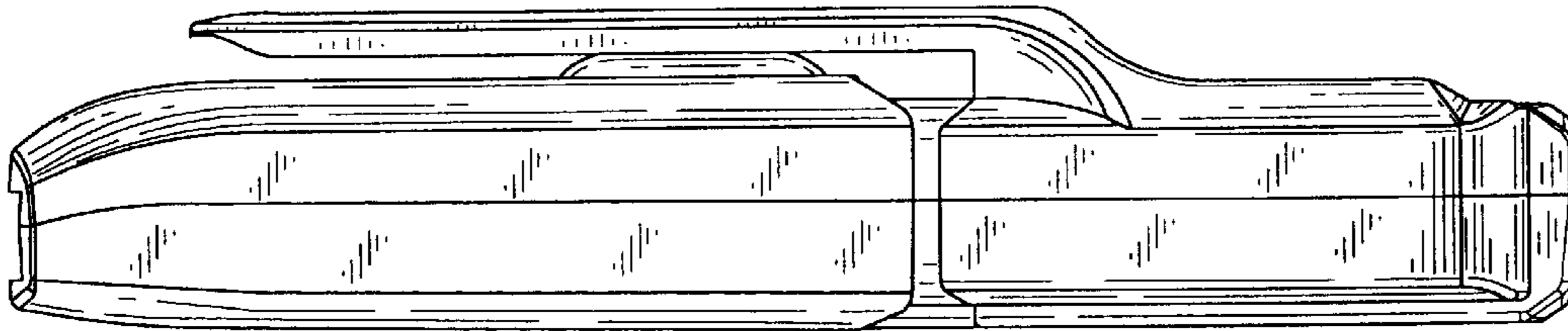
*Fig. 2*



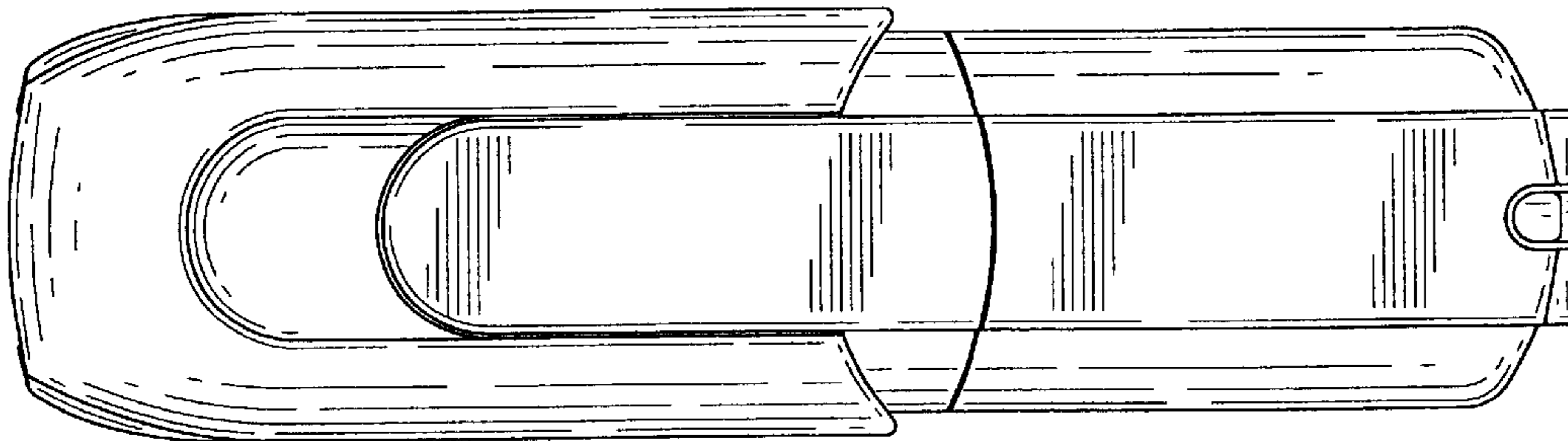
*Fig. 3*



*Fig. 4*



*Fig. 5*



*Fig. 6*