



US00D515086S

(12) **United States Design Patent** (10) **Patent No.:** **US D515,086 S**  
**Diamond et al.** (45) **Date of Patent:** **\*\* Feb. 14, 2006**

(54) **HOUSING FOR A SCALABLE GRAPHICS PROCESSOR**

(75) Inventors: **Michael B. Diamond**, Los Gatos, CA (US); **Cesar Carrera**, San Francisco, CA (US)

(73) Assignee: **Nvidia Corporation**, Santa Clara, CA (US)

(\*\*) Term: **14 Years**

(21) Appl. No.: **29/208,829**

(22) Filed: **Jul. 1, 2004**

**Related U.S. Application Data**

(63) Continuation-in-part of application No. 10/877,723, filed on Jun. 25, 2004, application No. 29/208,829, which is a continuation-in-part of application No. 10/877,724, filed on Jun. 25, 2004, application No. 29/208,829, which is a continuation-in-part of application No. 10/877,642, filed on Jun. 25, 2004, application No. 29/208,829, which is a continuation-in-part of application No. 10/877,243, filed on Jun. 25, 2004.

(51) **LOC (8) Cl.** ..... **14-02**

(52) **U.S. Cl.** ..... **D14/356**

(58) **Field of Classification Search** ..... D14/356, D14/299, 125, 239, 352; 345/418, 522, 501-503, 345/562, 520; 710/113, 316; 257/686, 203, 257/778, 784

See application file for complete search history.

(56) **References Cited**

**U.S. PATENT DOCUMENTS**

D308,863 S	*	6/1990	Soren et al. ....	D14/384
D393,836 S	*	4/1998	Hisatsune et al. ....	D14/356
D398,918 S	*	9/1998	Burke .....	D14/352
D399,841 S	*	10/1998	Burke .....	D14/125
6,088,043 A	*	7/2000	Kelleher et al. ....	345/502
D455,747 S	*	4/2002	Lin .....	D14/356

\* cited by examiner

*Primary Examiner*—Alan P. Douglas

*Assistant Examiner*—Susan Moon Lee

(74) *Attorney, Agent, or Firm*—Wagner, Murabito & Hao LLP

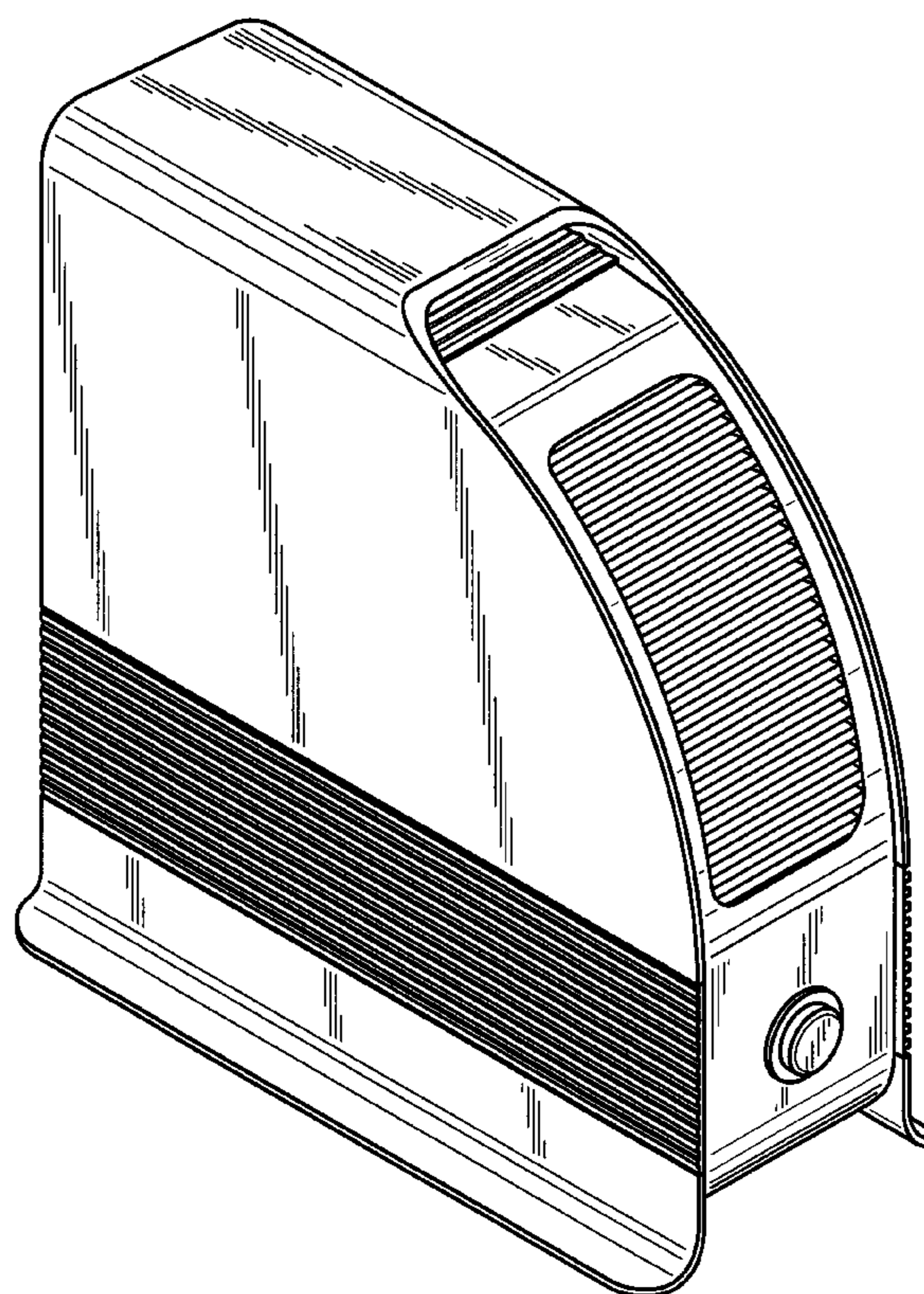
(57) **CLAIM**

We claim the ornamental design for a housing for a scalable graphics processor, as shown and described.

**DESCRIPTION**

FIG. 1 is an upper left front perspective view of a housing for a scalable graphics processor showing our new design; FIG. 2 is a front elevational view thereof; FIG. 3 is a right side elevational view thereof, the left side being a mirror image; FIG. 4 is a rear elevational view thereof; FIG. 5 is a top plan view thereof; and, FIG. 6 is a bottom plan view thereof.

**1 Claim, 3 Drawing Sheets**



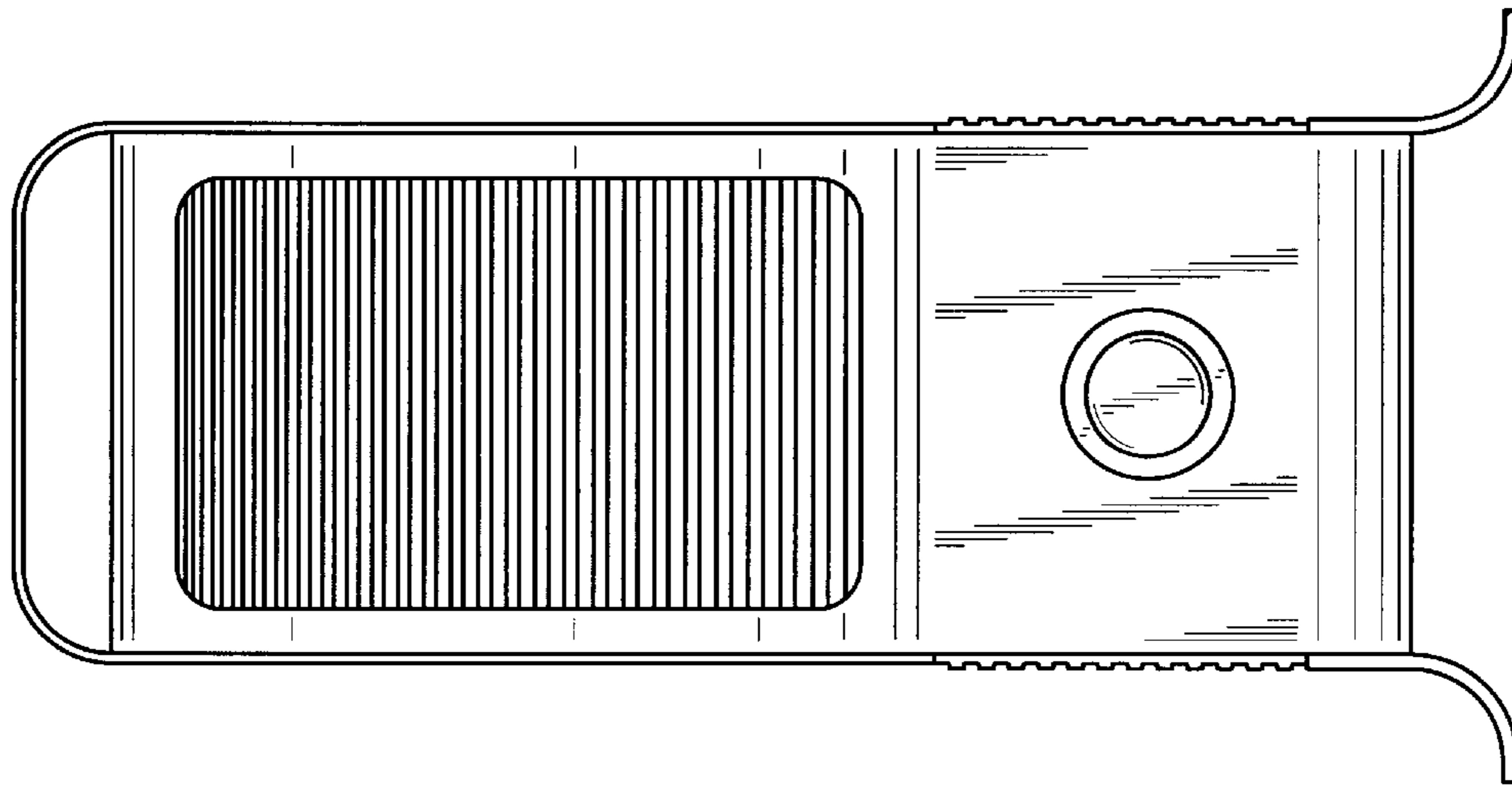


FIG. 2

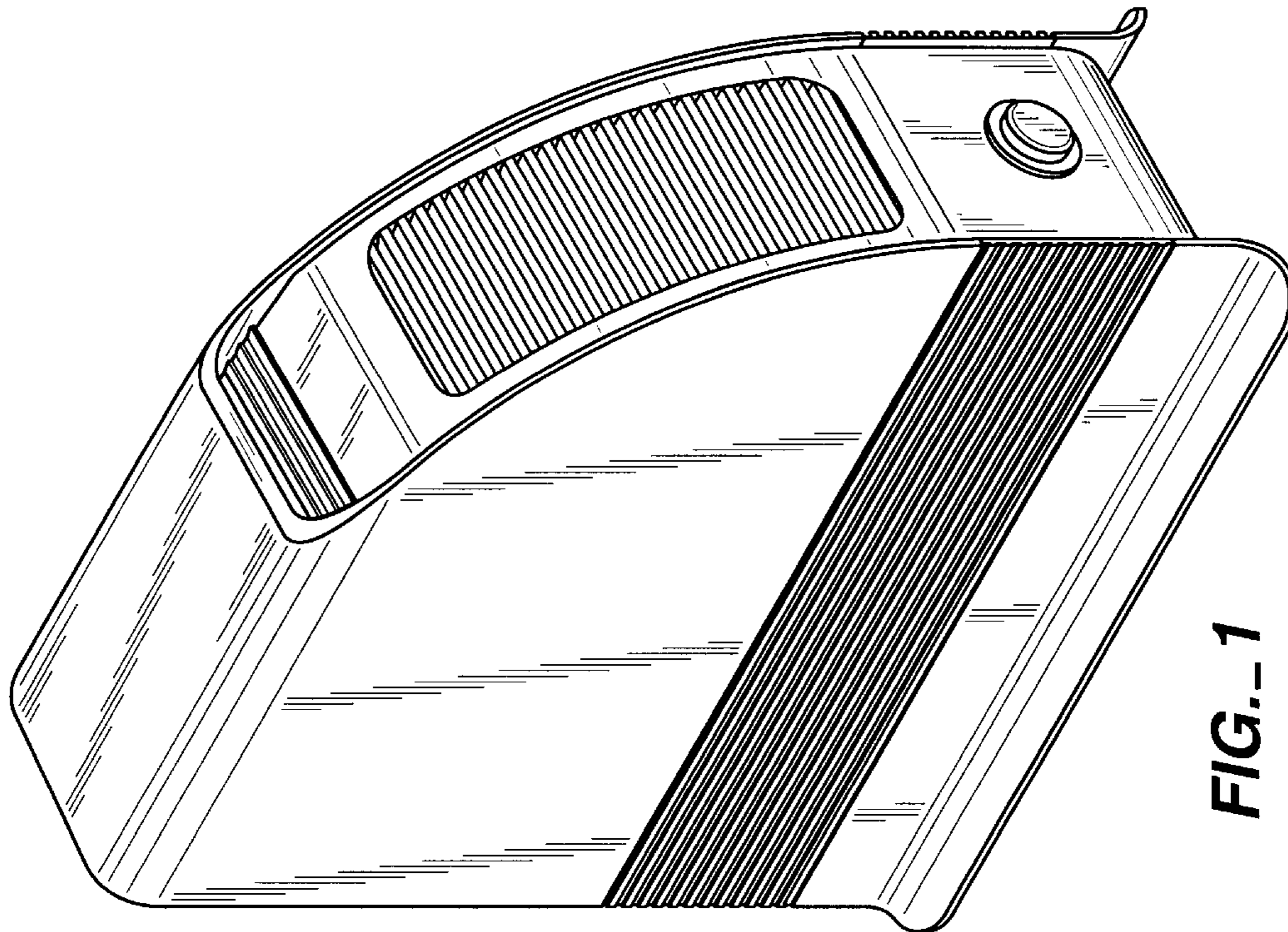
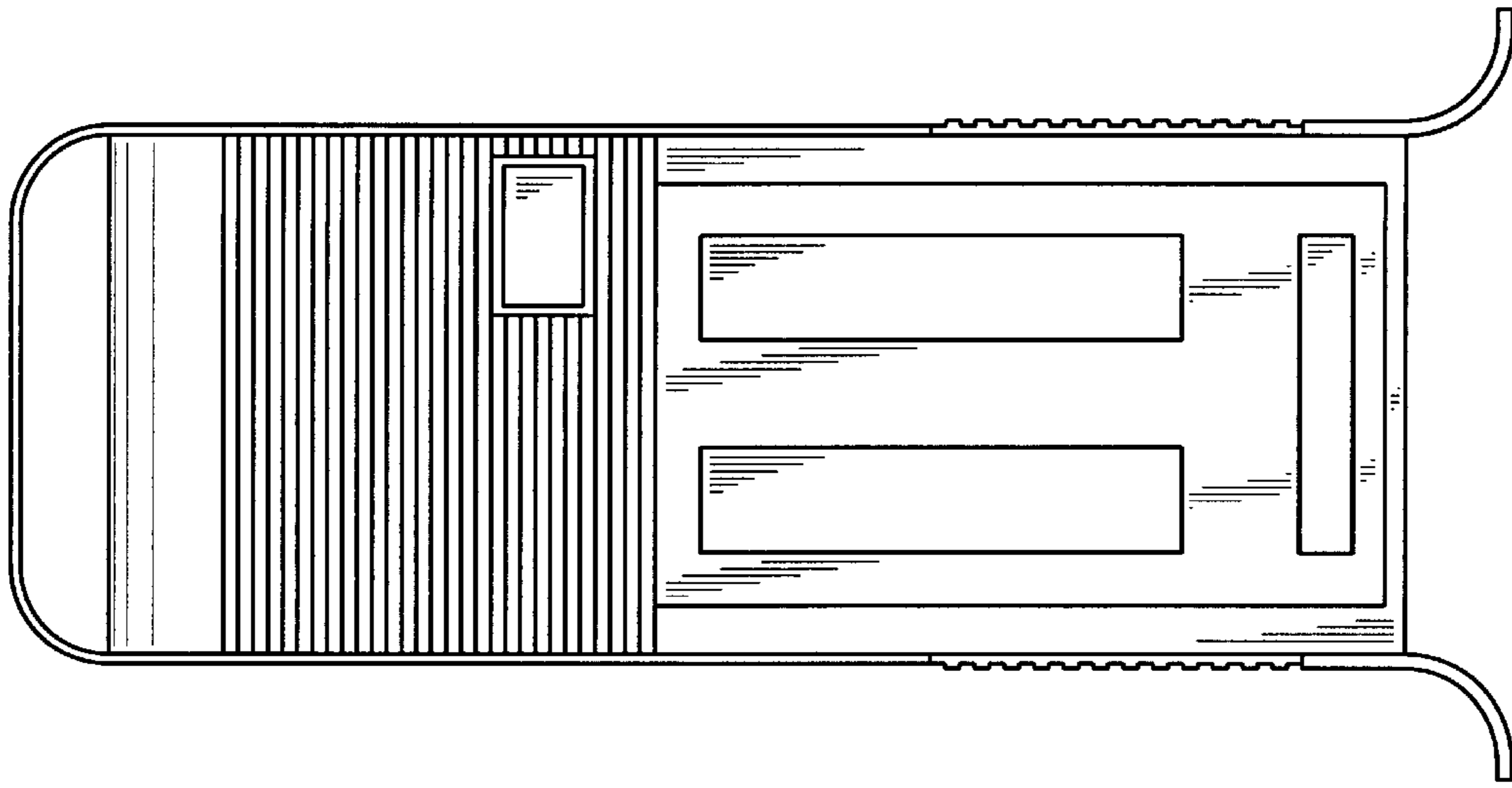
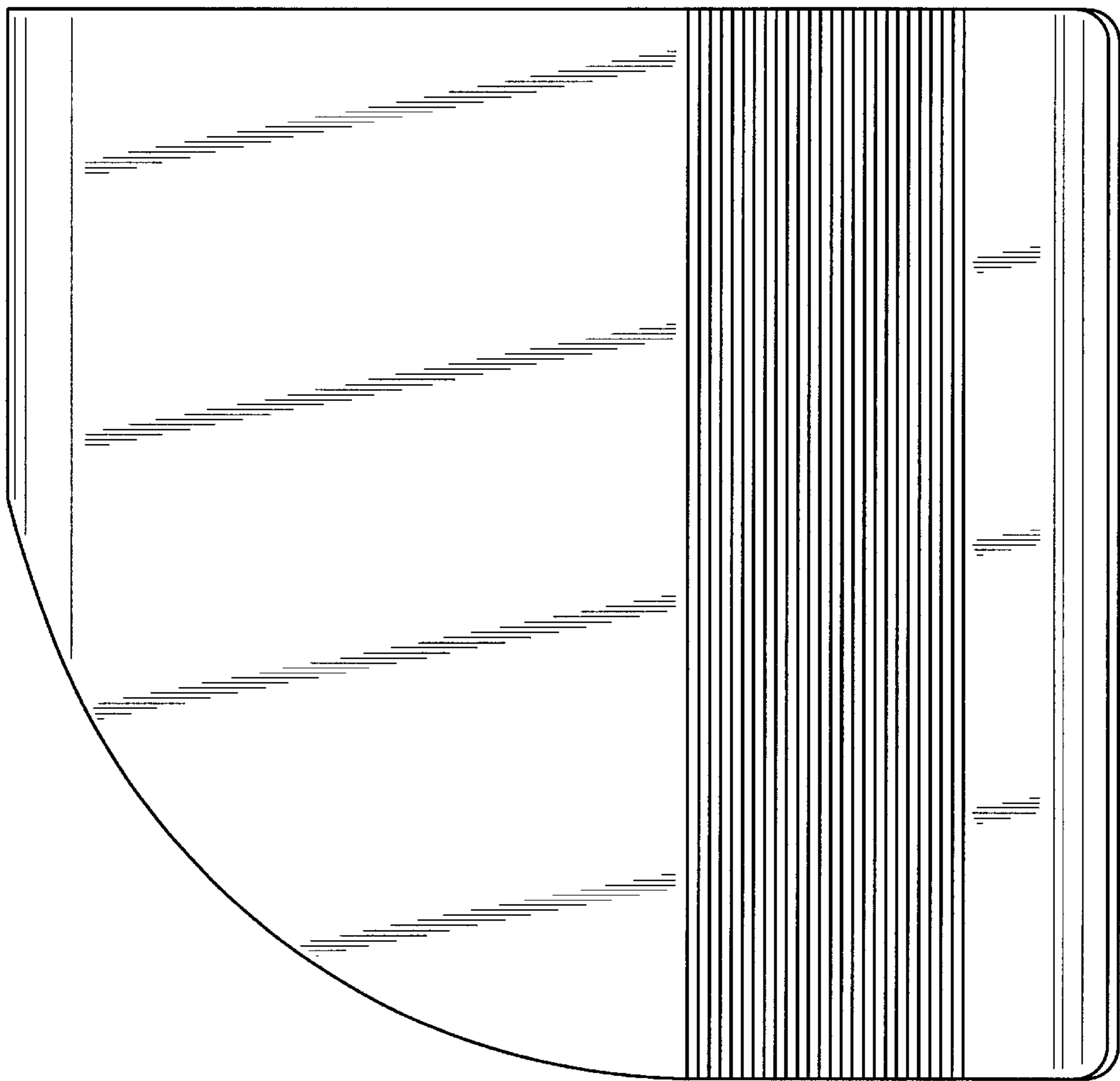


FIG. 1



**FIG. 4**



**FIG. 3**

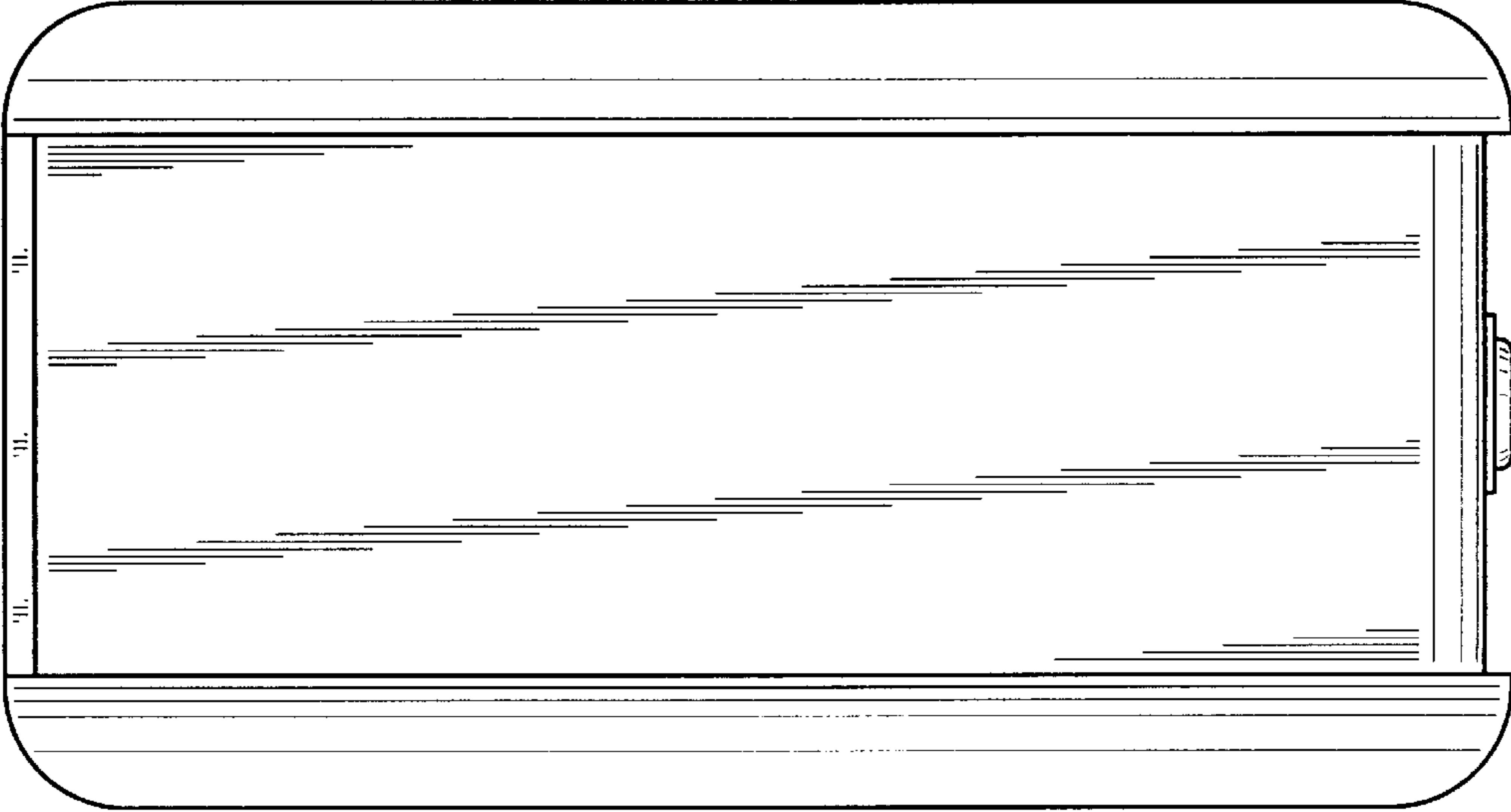


FIG. 6

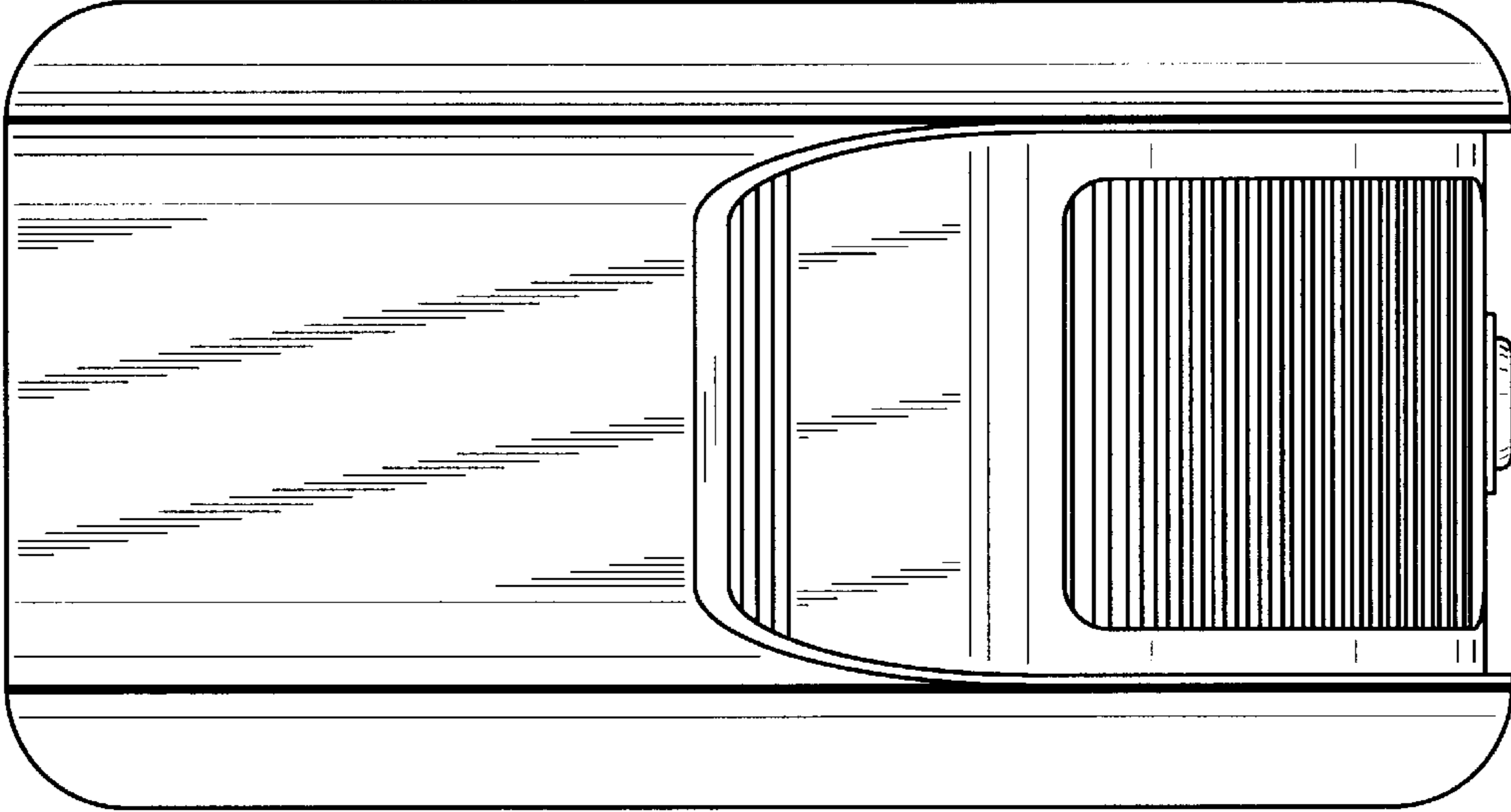


FIG. 5