



US00D515083S

(12) **United States Design Patent** (10) **Patent No.:** **US D515,083 S**
Brown et al. (45) **Date of Patent:** **** Feb. 14, 2006**

(54) **CONTROL PANEL FOR A USER INTERFACE OF AN IMAGE PROCESSING OFFICE MACHINE**

D475,047 S * 5/2003 Choi et al. D14/346
D490,119 S * 5/2004 Griffin et al. D21/329

* cited by examiner

(75) Inventors: **Donald A. Brown**, Honeoye Falls, NY (US); **James B. Smith**, Honeoye Falls, NY (US); **Hidetoshi Kimura**, Yokohama (JP); **Shu Watanabe**, Yokohama (JP)

Primary Examiner—Freda S. Nunn
(74) *Attorney, Agent, or Firm*—Tallam I. Nguti

(73) Assignee: **Xerox Corporation**, Stamford, CT (US)

(57) **CLAIM**

The ornamental design for control panel for a user interface of an image processing office machine, as shown and described.

(**) Term: **14 Years**

DESCRIPTION

(21) Appl. No.: **29/213,163**

This patent application is a design version of utility U.S. application Ser. No. 10/940,857, entitled “User Interface Having Button Delineating Control Panel” and filed Sep. 14, 2004.

(22) Filed: **Sep. 14, 2004**

(51) **LOC (8) Cl.** **14-02**

(52) **U.S. Cl.** **D14/341**

(58) **Field of Classification Search** D14/341–346;
D18/1, 2, 7; 235/145 A, 145 R; 349/12; 341/22,
341/23; 345/156, 168, 169, 172, 173, 87;
361/680–686; D21/329

See application file for complete search history.

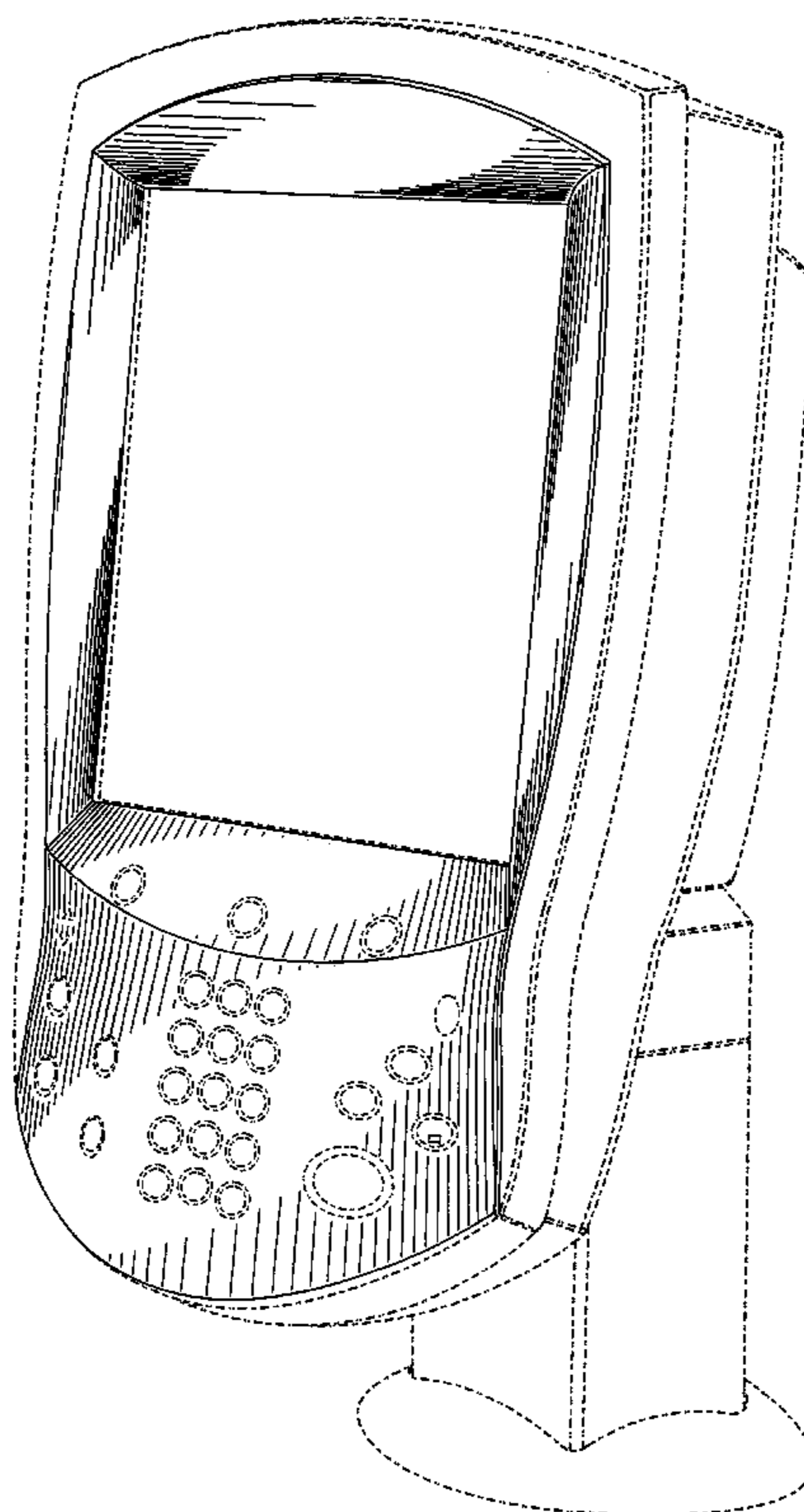
FIG. 1 is a perspective view of a control panel for a user interface of an image processing office machine of the present invention;
FIG. 2 is a front view thereof;
FIG. 3 is a right side view thereof;
FIG. 4 is a rear view thereof;
FIG. 5 is a left side view thereof;
FIG. 6 is a top view thereof;
FIG. 7 is a bottom view thereof; and,
FIG. 8 is a perspective view thereof showing the design with an image processing office machine in an operational state. The broken line portions of FIGS. 1–8 are for illustrative purposes only and do not form part of the claimed design.

(56) **References Cited**

U.S. PATENT DOCUMENTS

D355,644 S * 2/1995 Risko D14/346
D461,803 S * 8/2002 Griffin et al. D14/346
D463,421 S * 9/2002 Lanzaro et al. D14/341

1 Claim, 7 Drawing Sheets



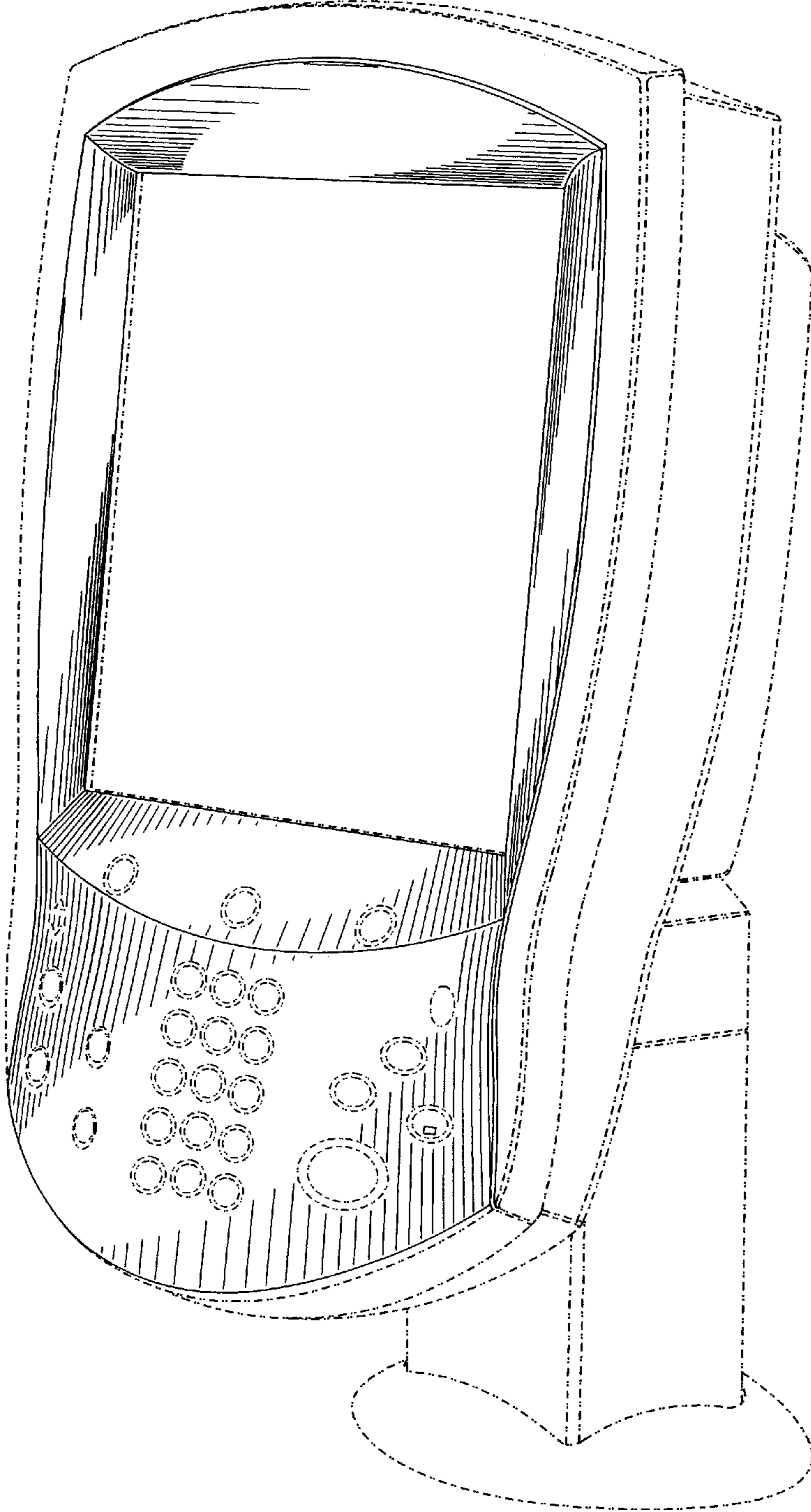


FIG. 1

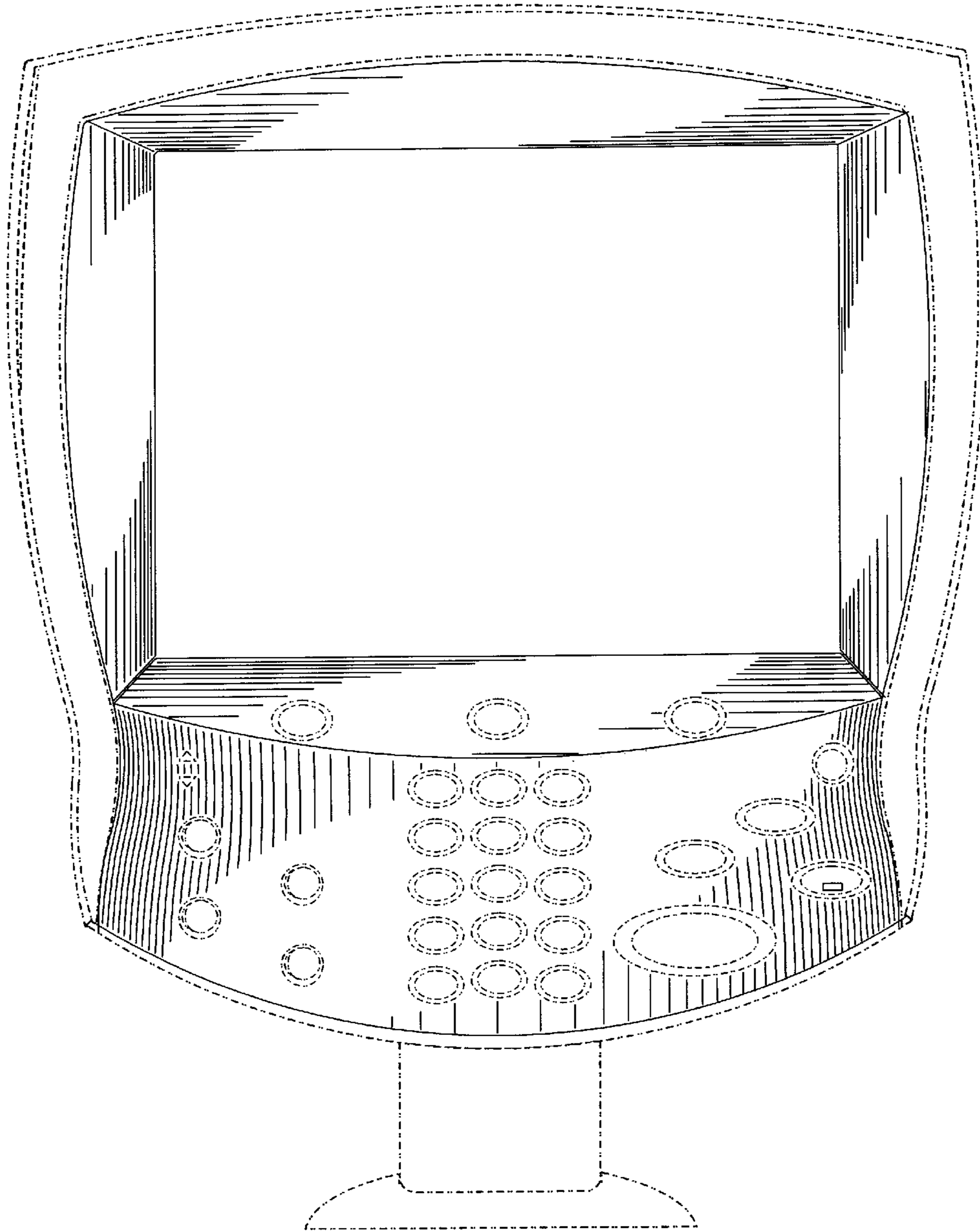


FIG. 2

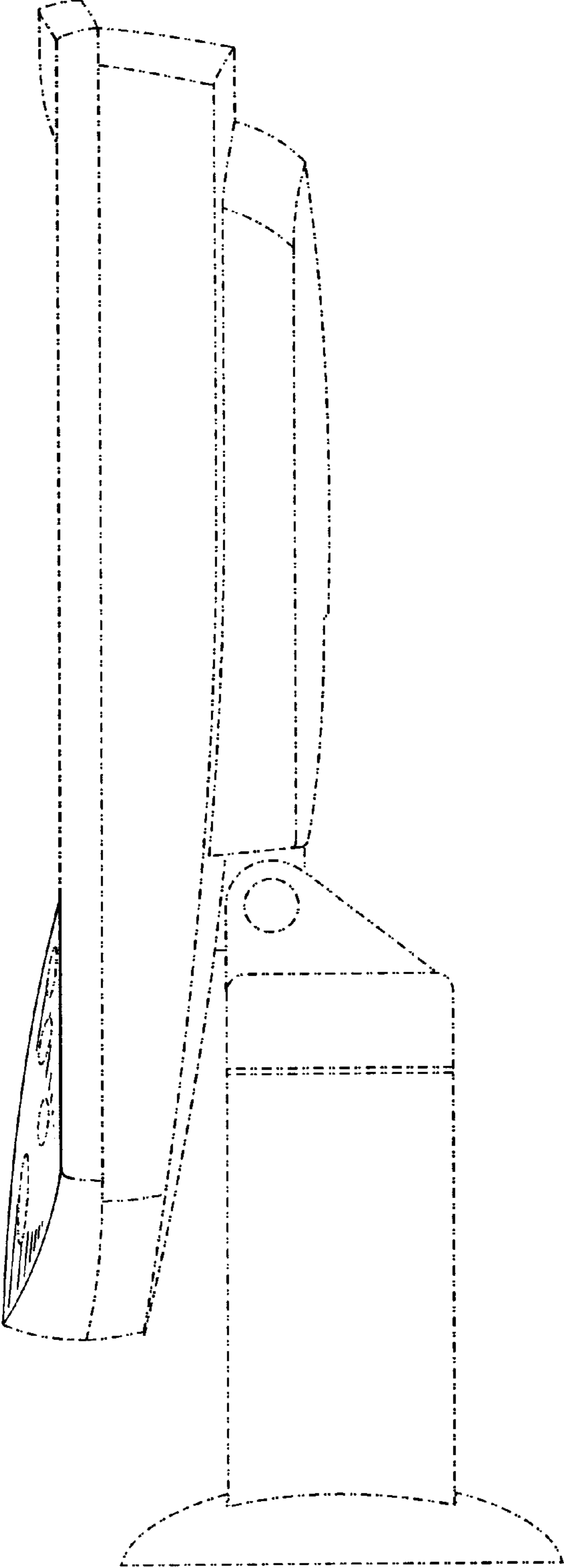


FIG. 3

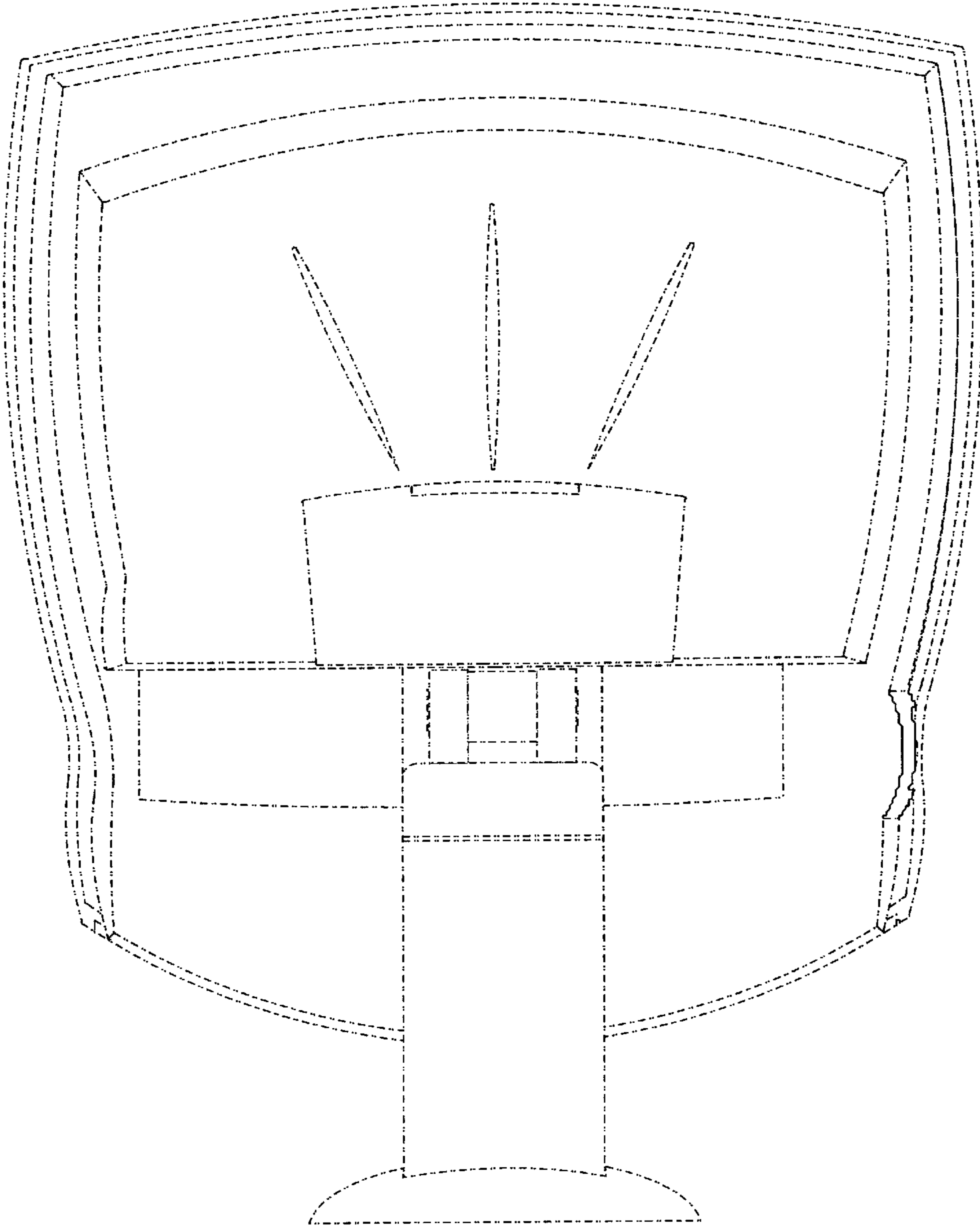


FIG. 4

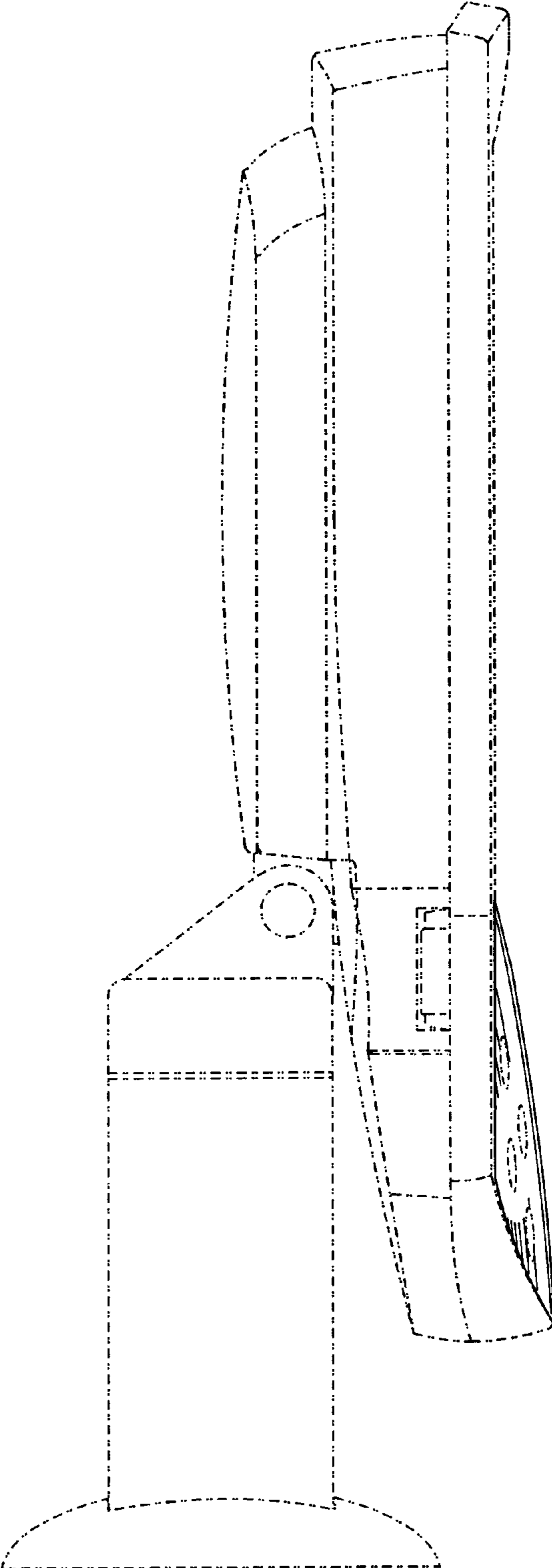


FIG. 5

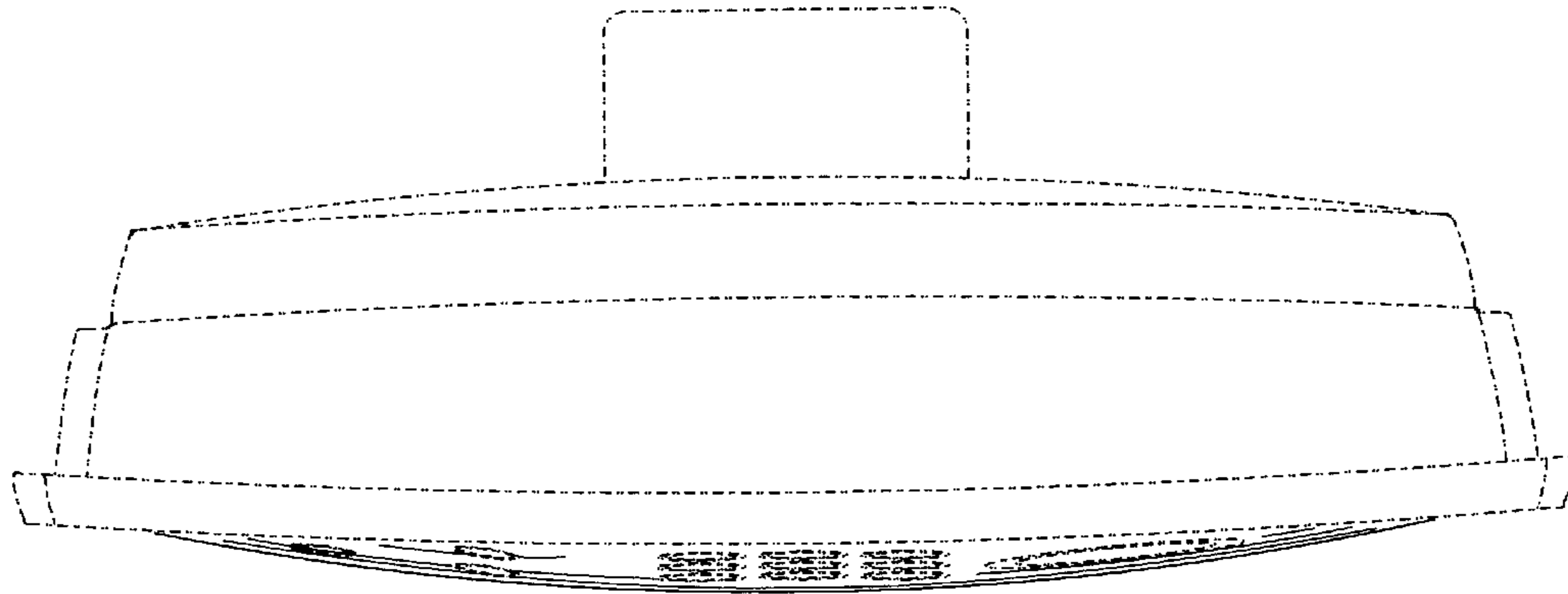


FIG. 6

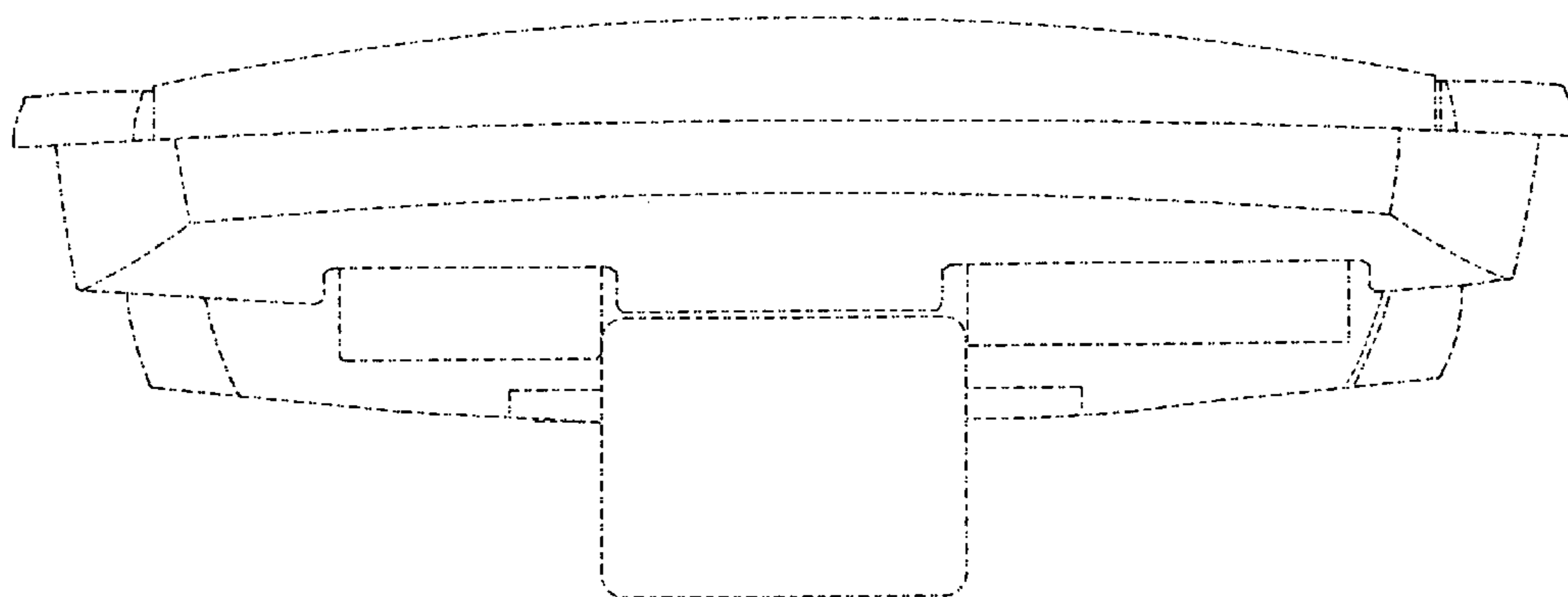


FIG. 7

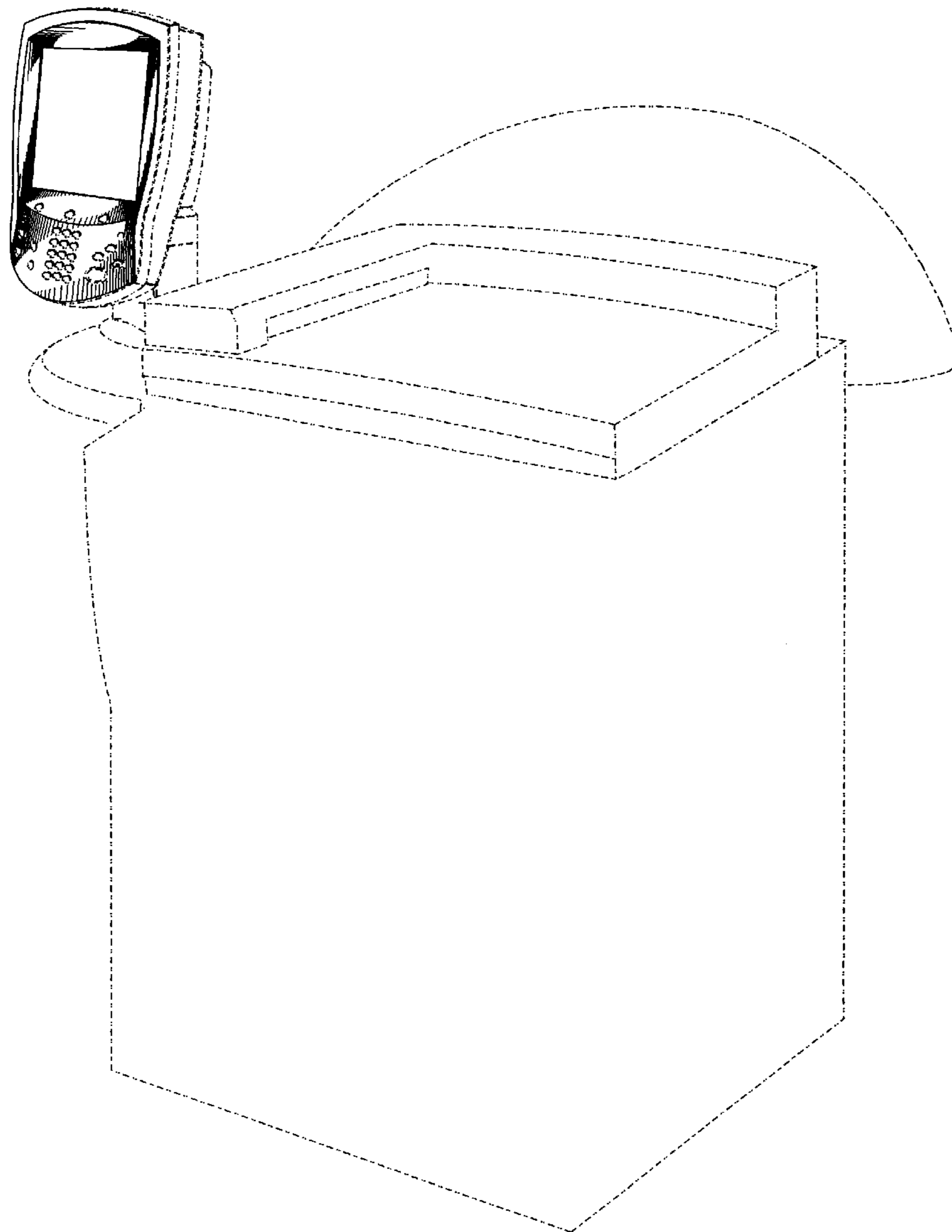


FIG. 8