



US00D515082S

(12) **United States Design Patent** (10) **Patent No.:** **US D515,082 S**
Moskaluk et al. (45) **Date of Patent:** **** Feb. 14, 2006**

(54) **TABLET ACCESSORY FOR PERSONAL ELECTRONIC DEVICES**

(75) Inventors: **Ray Moskaluk**, San Jose, CA (US);
Chris Bradley, Redwood City, CA (US)

(73) Assignee: **Hewlett-Packard Development Company, L.P.**, Houston, TX (US)

(**) Term: **14 Years**

(21) Appl. No.: **29/179,193**

(22) Filed: **Apr. 4, 2003**

(51) **LOC (8) Cl.** **14-02**

(52) **U.S. Cl.** **D14/341**

(58) **Field of Classification Search** D14/341-346,
D14/125-129, 371-375, 424; 178/18.03;
345/104, 156, 168, 173, 169; 349/12; 235/145 A,
235/145 R; 33/443

See application file for complete search history.

(56) **References Cited**

U.S. PATENT DOCUMENTS

4,611,406 A	*	9/1986	Engstrom et al.	33/443
D396,452 S	*	7/1998	Naruki	D14/424
6,256,019 B1	*	7/2001	Allport	345/169
D451,505 S	*	12/2001	Iseki et al.	D14/341
D458,252 S	*	6/2002	Palm et al.	D14/343
D460,759 S	*	7/2002	West et al.	D14/374

* cited by examiner

Primary Examiner—Freda S. Nunn

(74) *Attorney, Agent, or Firm*—Trueman H Denny III

(57) **CLAIM**

The ornamental design for tablet accessory for personal electronic devices, as shown and described.

DESCRIPTION

FIG. 1 shows an elevated perspective view of a tablet accessory for personal electronic devices in accordance with my invention;

FIG. 2 illustrates an exploded view showing three separated components comprising my invention as depicted in the assembled representation of FIG. 1;

FIG. 3 depicts a plan, top view showing a tablet screen provided on an opposite side of the invention illustration of FIG. 1;

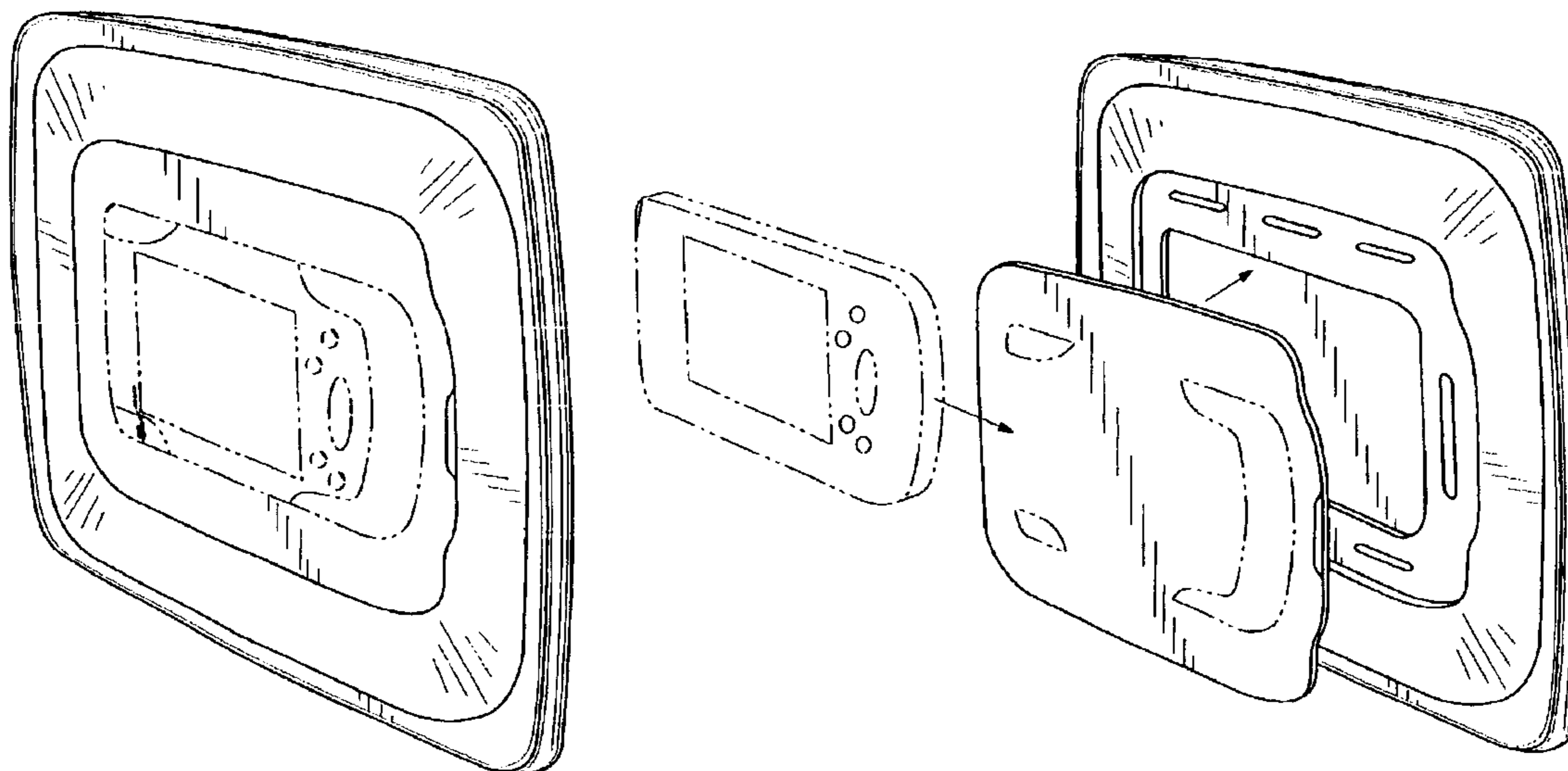
FIG. 4 represents a side view taken along a long side of FIG. 1, the opposing side being a substantial mirror image of the same;

FIG. 5 represents a side view taken along a short side of FIG. 1, the opposing side being a substantial mirror image of the same; and,

FIG. 6 depicts a plan view of the bottom, exposed side of my invention as shown in FIG. 1.

The phantom line portions being provided to show the environment of the invention form no part of the claimed subject matter.

1 Claim, 3 Drawing Sheets



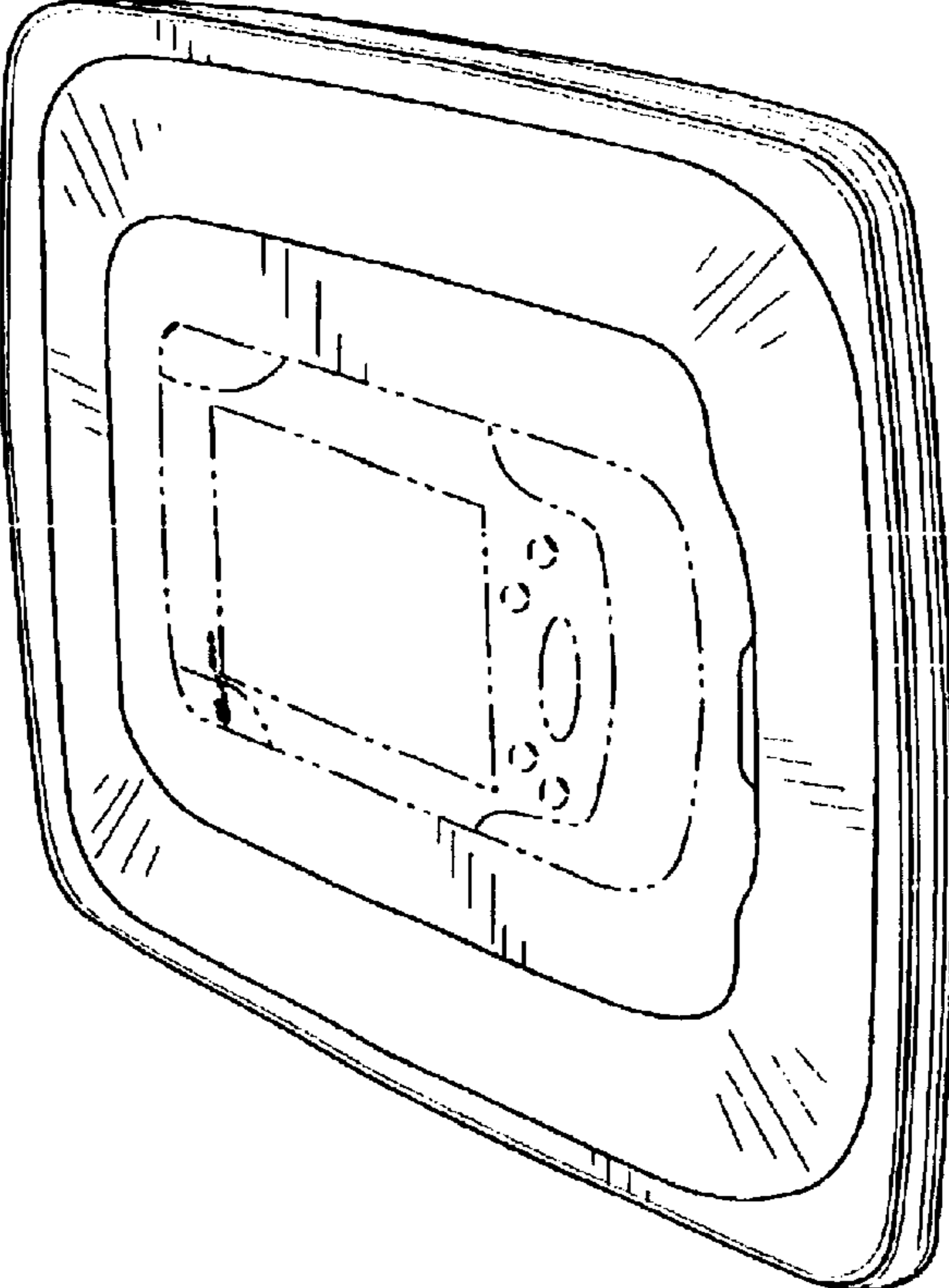


FIG. 1

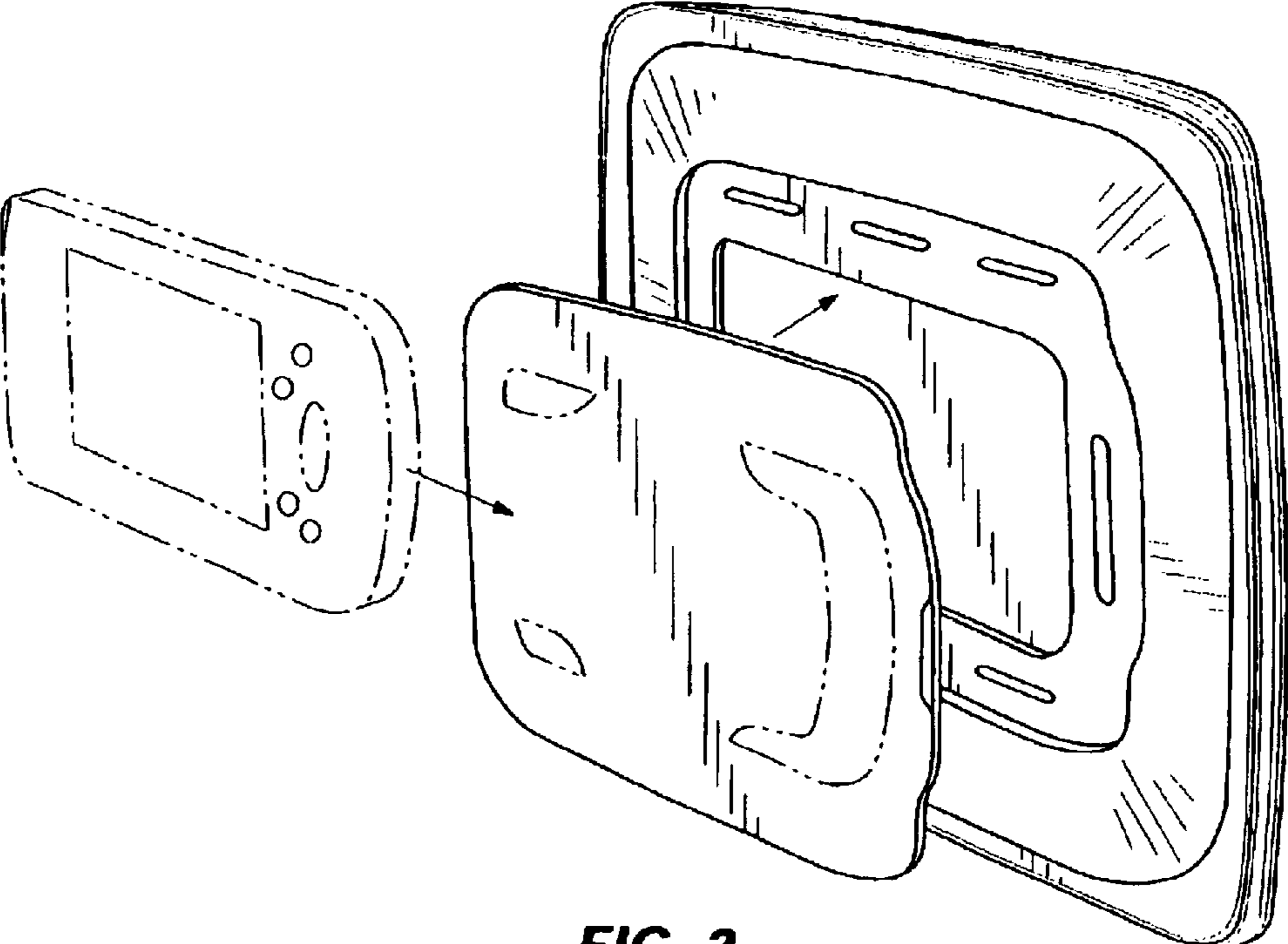


FIG. 2

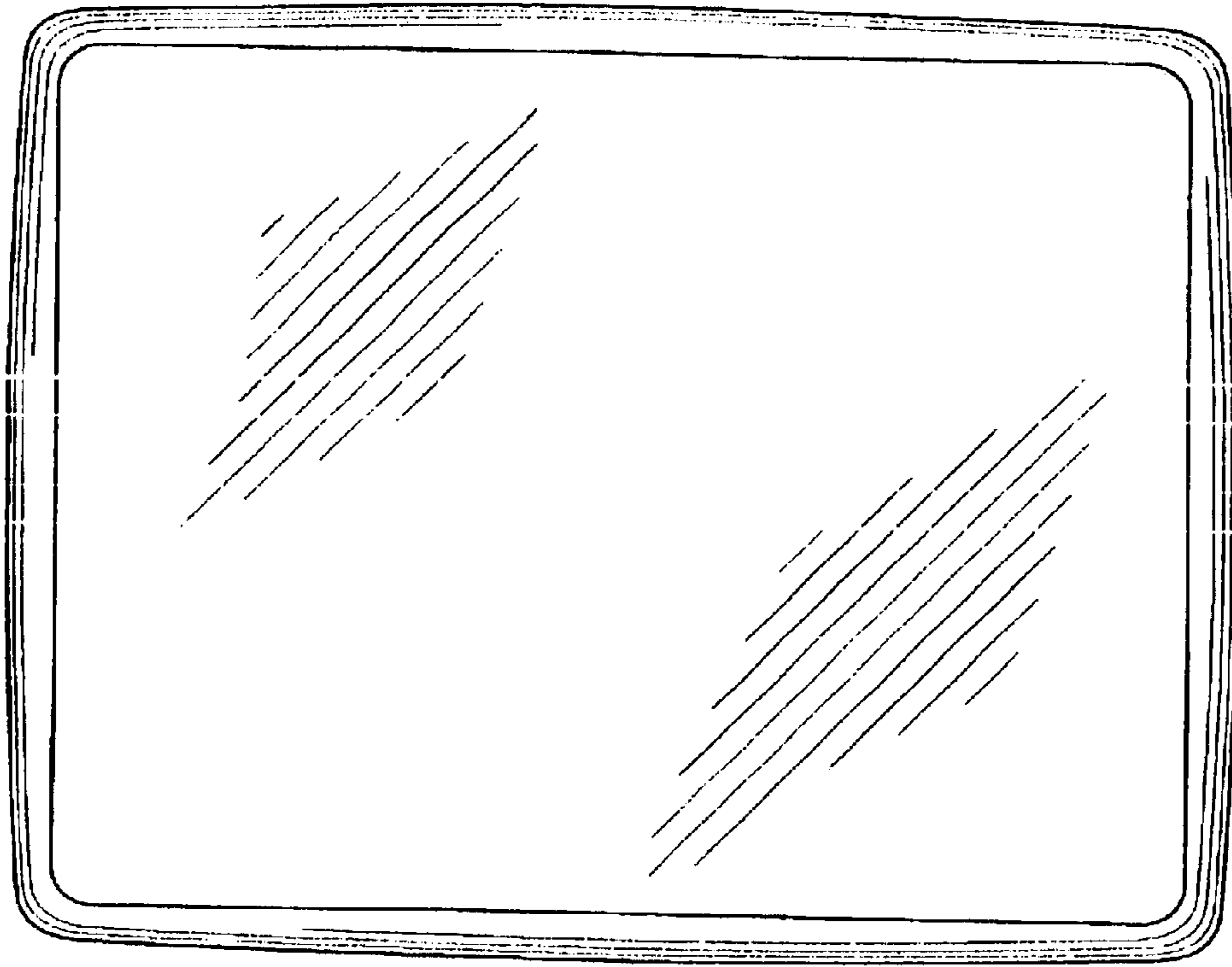


FIG. 3

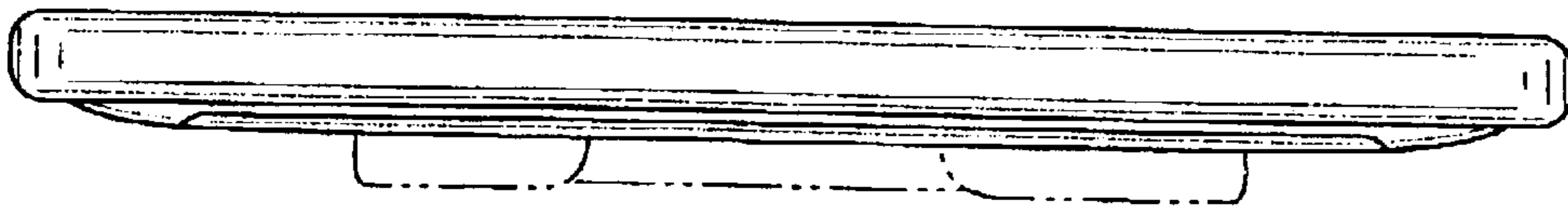


FIG. 4

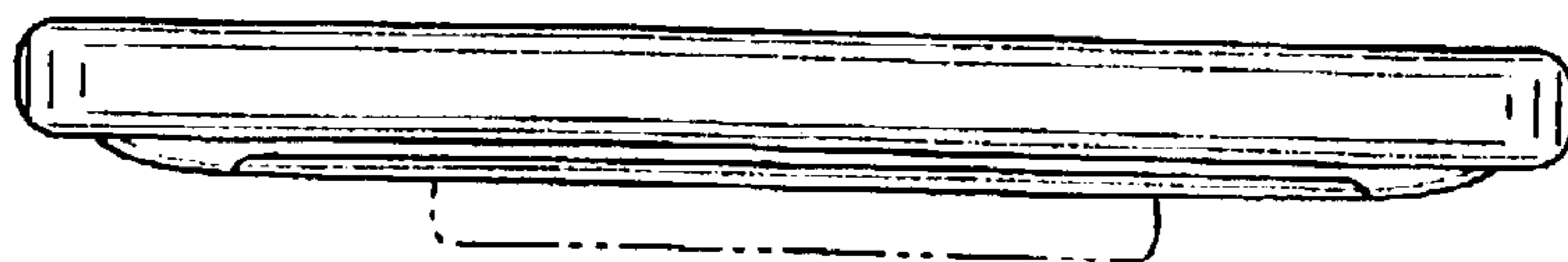


FIG. 5

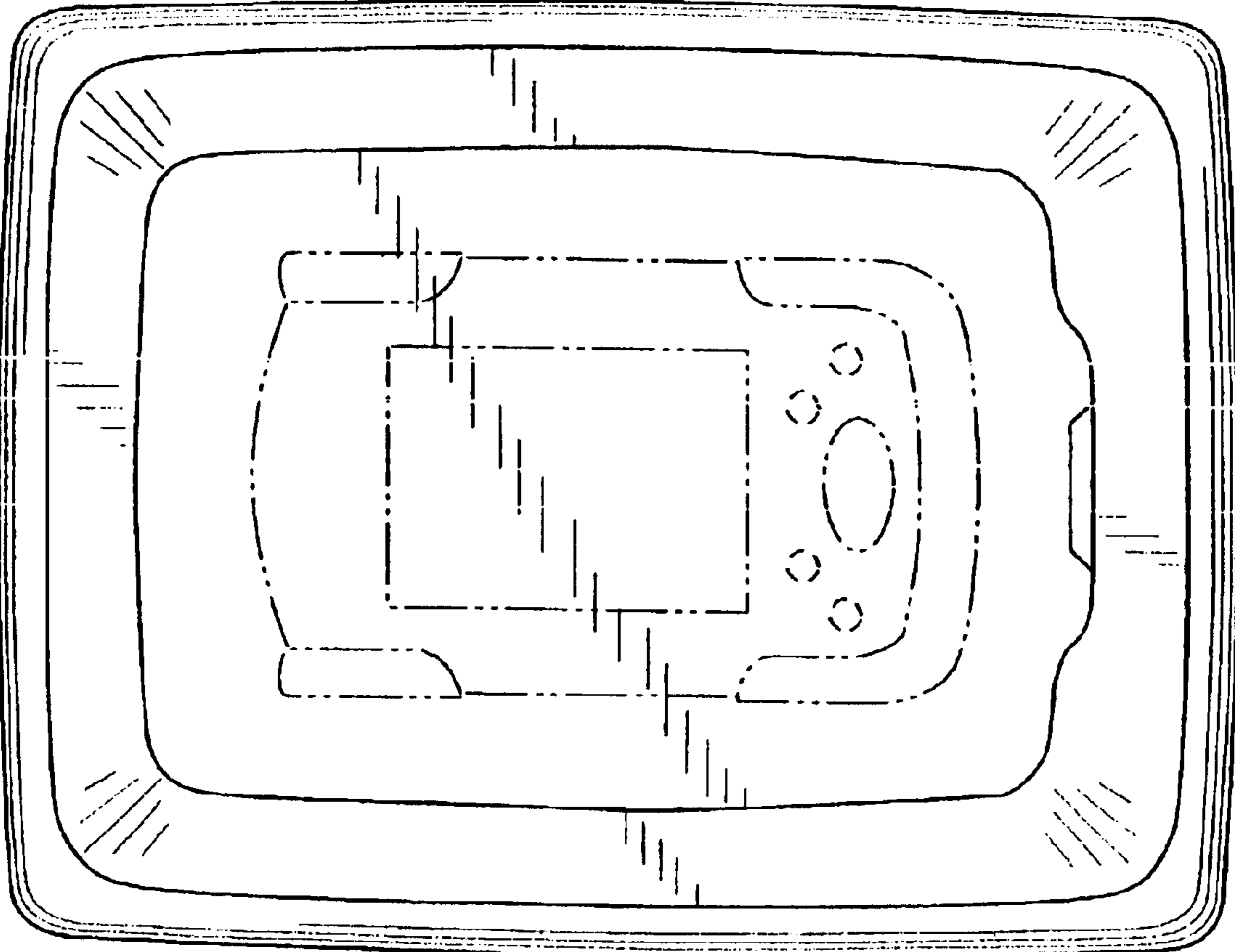


FIG. 6