



US00D515081S

(12) **United States Design Patent**
Yamada

(10) **Patent No.: US D515,081 S**

(45) **Date of Patent: ** Feb. 14, 2006**

(54) **COMPUTER**

(75) Inventor: **Yoshinori Yamada**, Tokyo (JP)

(73) Assignee: **Sony Corporation**, Tokyo (JP)

(**) Term: **14 Years**

(21) Appl. No.: **29/215,753**

(22) Filed: **Oct. 25, 2004**

(51) **LOC (8) Cl. 14-02**

(52) **U.S. Cl. D14/331**

(58) **Field of Classification Search** D14/336-337,
D14/125-129, 331; 345/104, 156, 168, 173,
345/901-905; 348/180, 184, 325, 739; 341/12;
349/1, 2, 11, 62; 248/917-924; D18/1
See application file for complete search history.

(56) **References Cited**

U.S. PATENT DOCUMENTS

D319,636 S	*	9/1991	Lampe	D18/1
D327,475 S	*	6/1992	Nezu	D14/331
D377,340 S	*	1/1997	Brenner et al.	D14/331
D449,613 S		10/2001	Matsuoka		
D478,583 S		8/2003	Hyogo		
D489,061 S		4/2004	Hyogo		
D494,165 S		8/2004	Yokota		

FOREIGN PATENT DOCUMENTS

JP 955939 S 6/1996

OTHER PUBLICATIONS

Webpage "NEC Valuestar H" <http://121ware.com/product/pc/200401/personal/vsh/strongpoint/01.html>, 2 sheets, 121ware, Jul. 2004.

Webpage "NEC Valuestar H" <http://121ware.com/product/pc/200401/personal/vsh/strongpoint/04.html>, 1 sheet, 121ware, Jul. 2004.

Webpage "Sony PCV-P101" <http://www.vaio.sony.co.jp/Products/PCV-P101/>, 1 sheet, VAIO-Sony, Jul. 2004.

Webpage "Sony VAIO PCV-W702B-W502B" <http://www.vaio.sony.co.jp/Products/PCV-W702B>, 1 sheet, VAIO Sony, Jul. 2004.

* cited by examiner

Primary Examiner—Freda S. Nunn

(74) *Attorney, Agent, or Firm*—Rader, Fishman & Grauer PLLC

(57) **CLAIM**

The ornamental design for a computer, as shown.

DESCRIPTION

FIG. 1 is a perspective view of a computer showing my new design;

FIG. 2 is a front elevational view thereof;

FIG. 3 is a rear elevational view thereof;

FIG. 4 is a left side elevational view thereof;

FIG. 5 is a right side elevational view thereof;

FIG. 6 is a top plan view thereof; and,

FIG. 7 is a bottom plan view thereof.

1 Claim, 4 Drawing Sheets

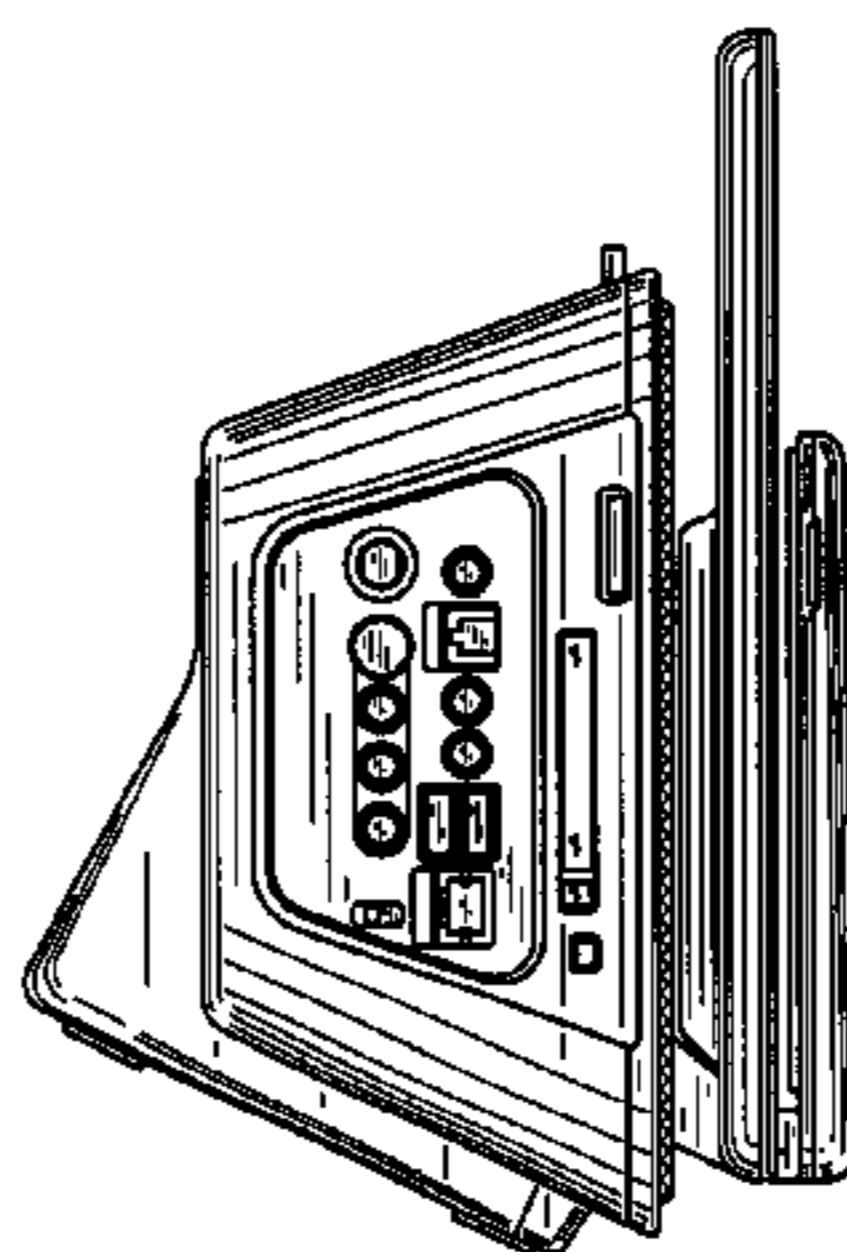
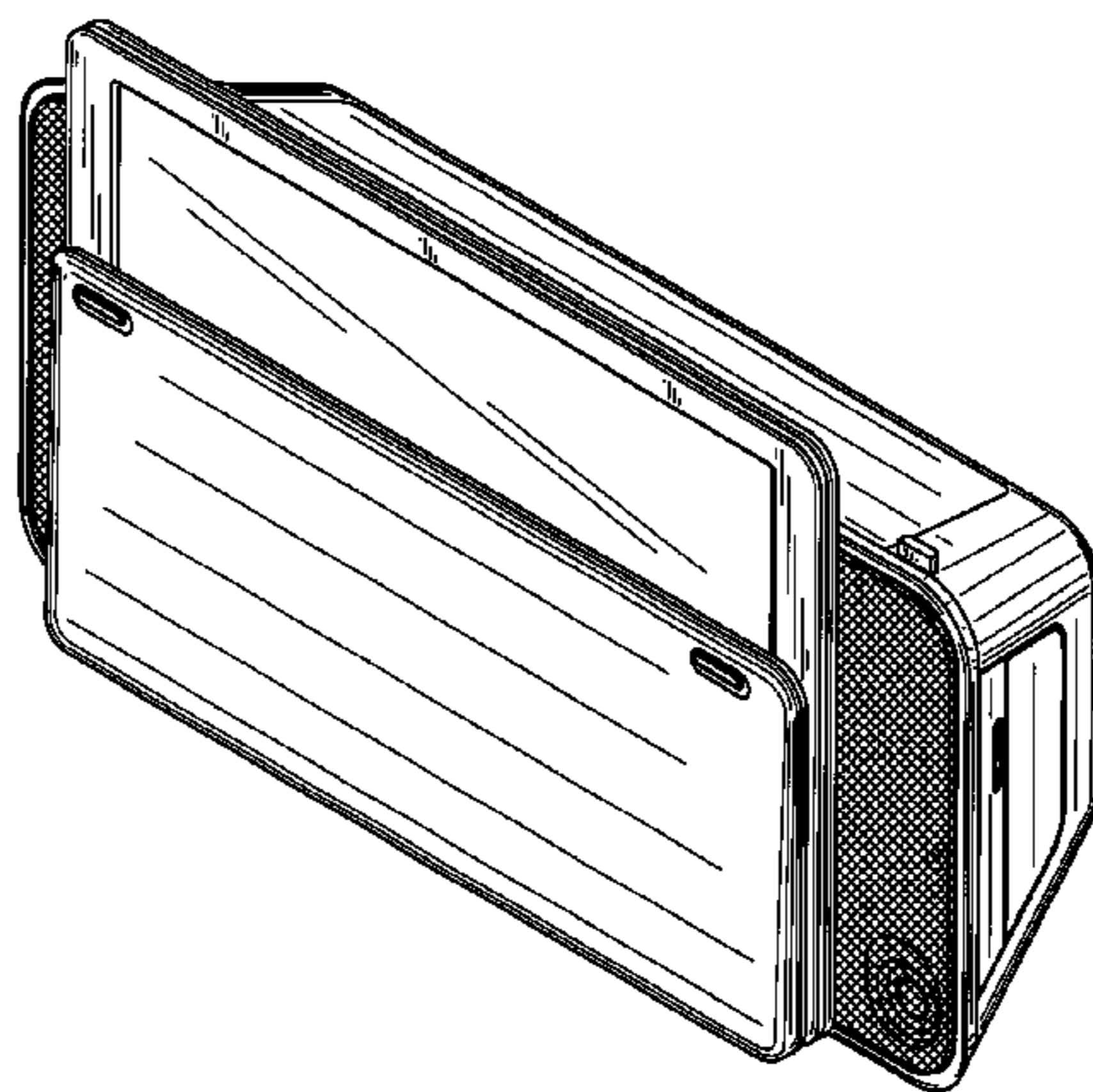


Fig.1

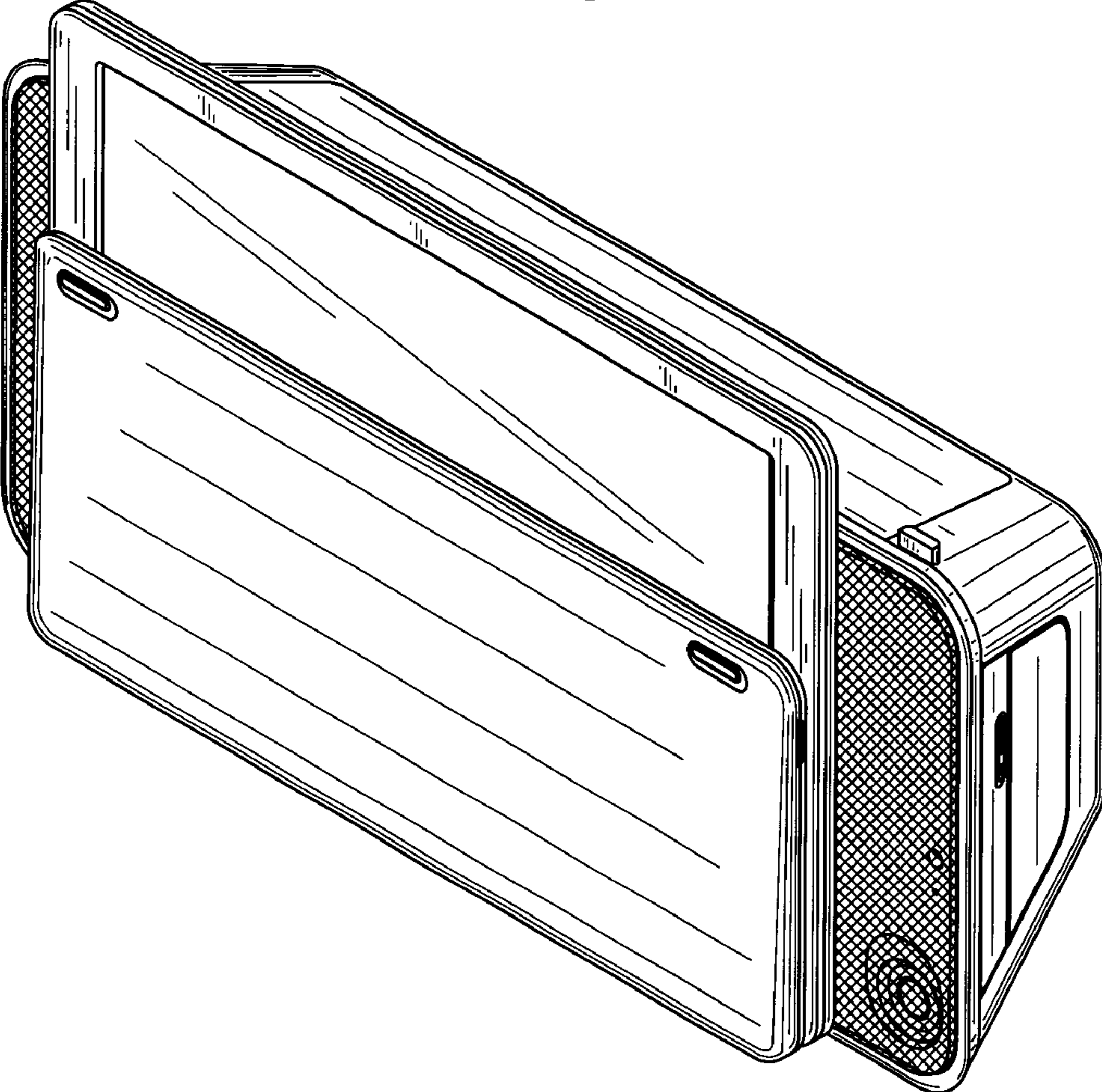


Fig.2

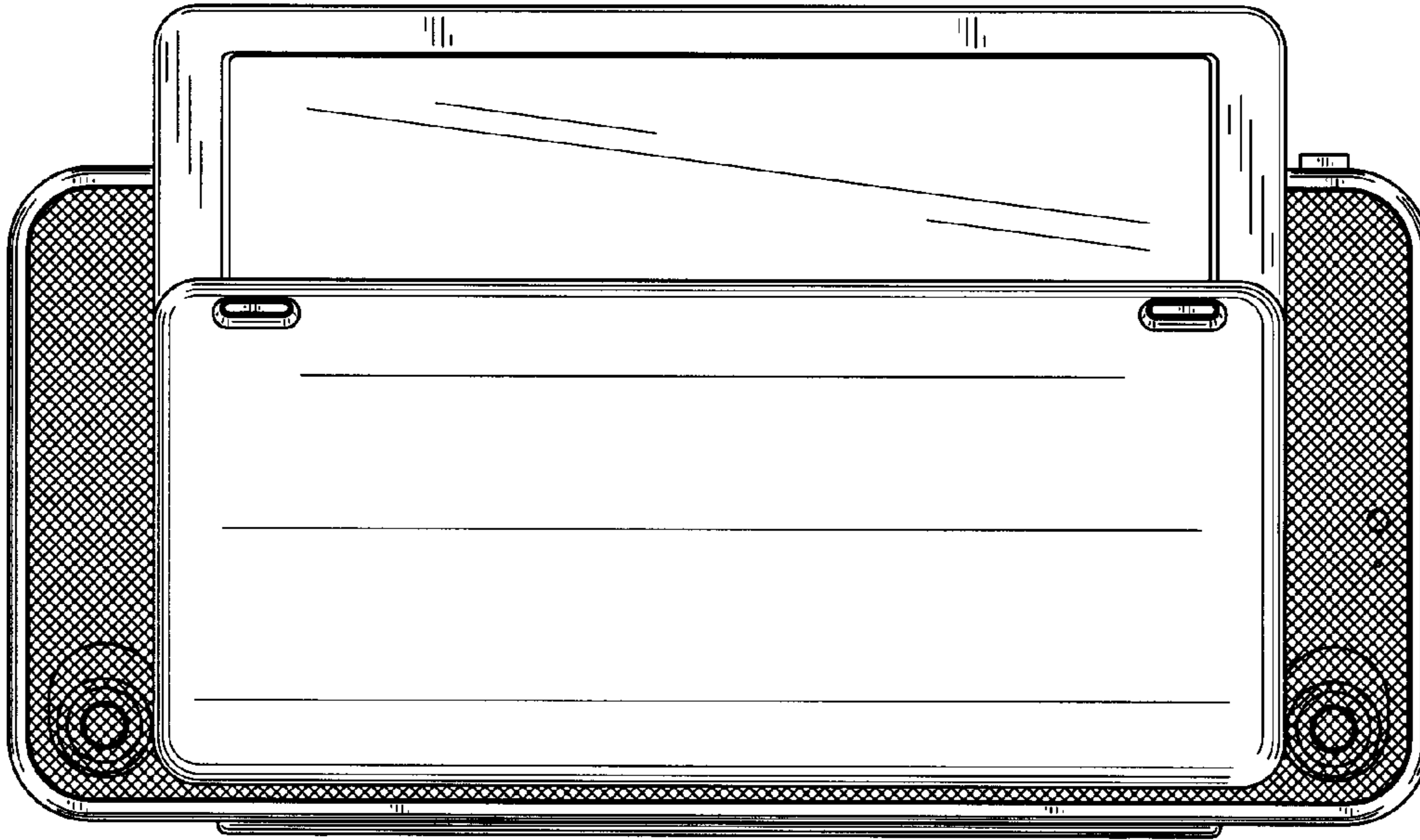


Fig.3

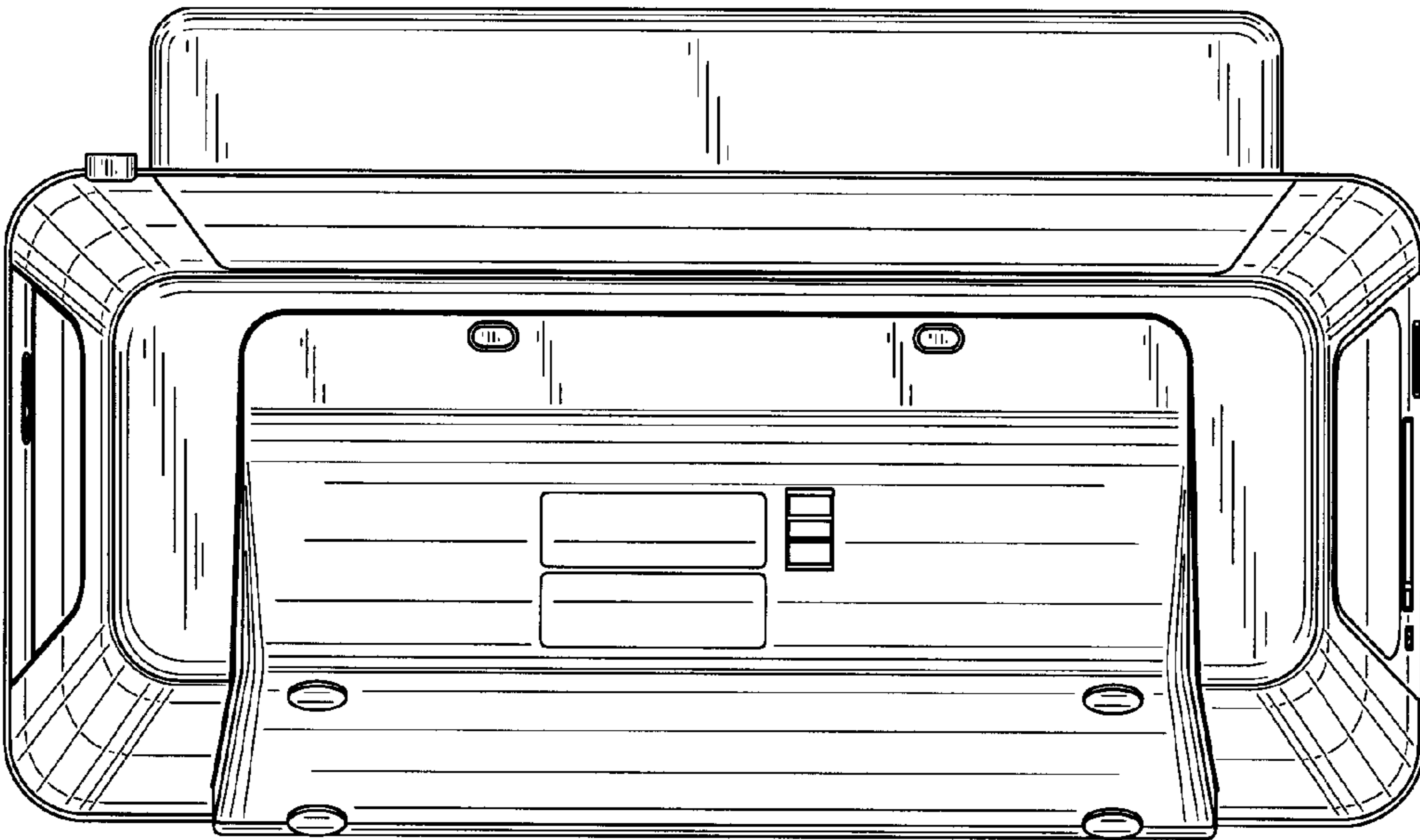


Fig.4

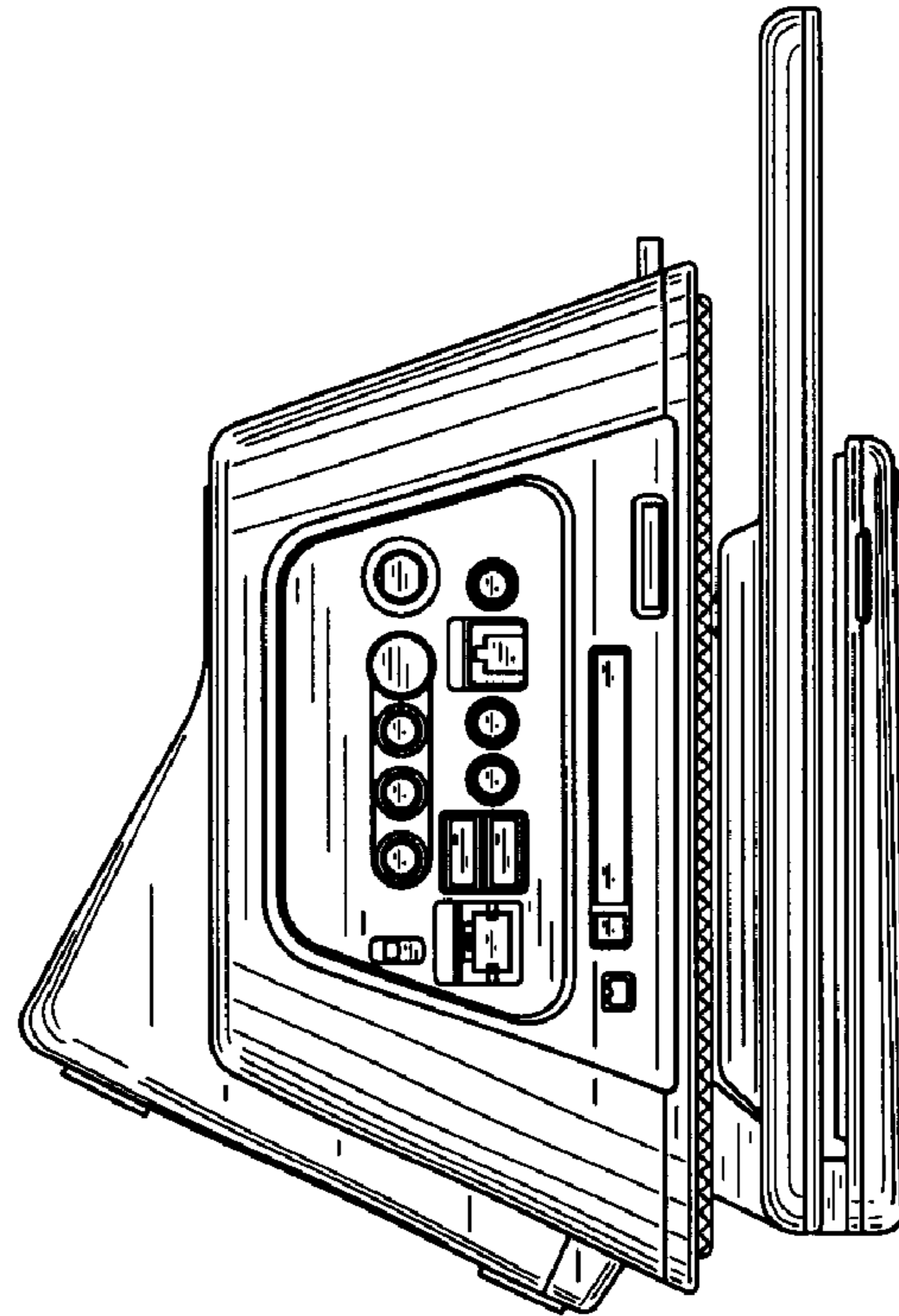


Fig.5

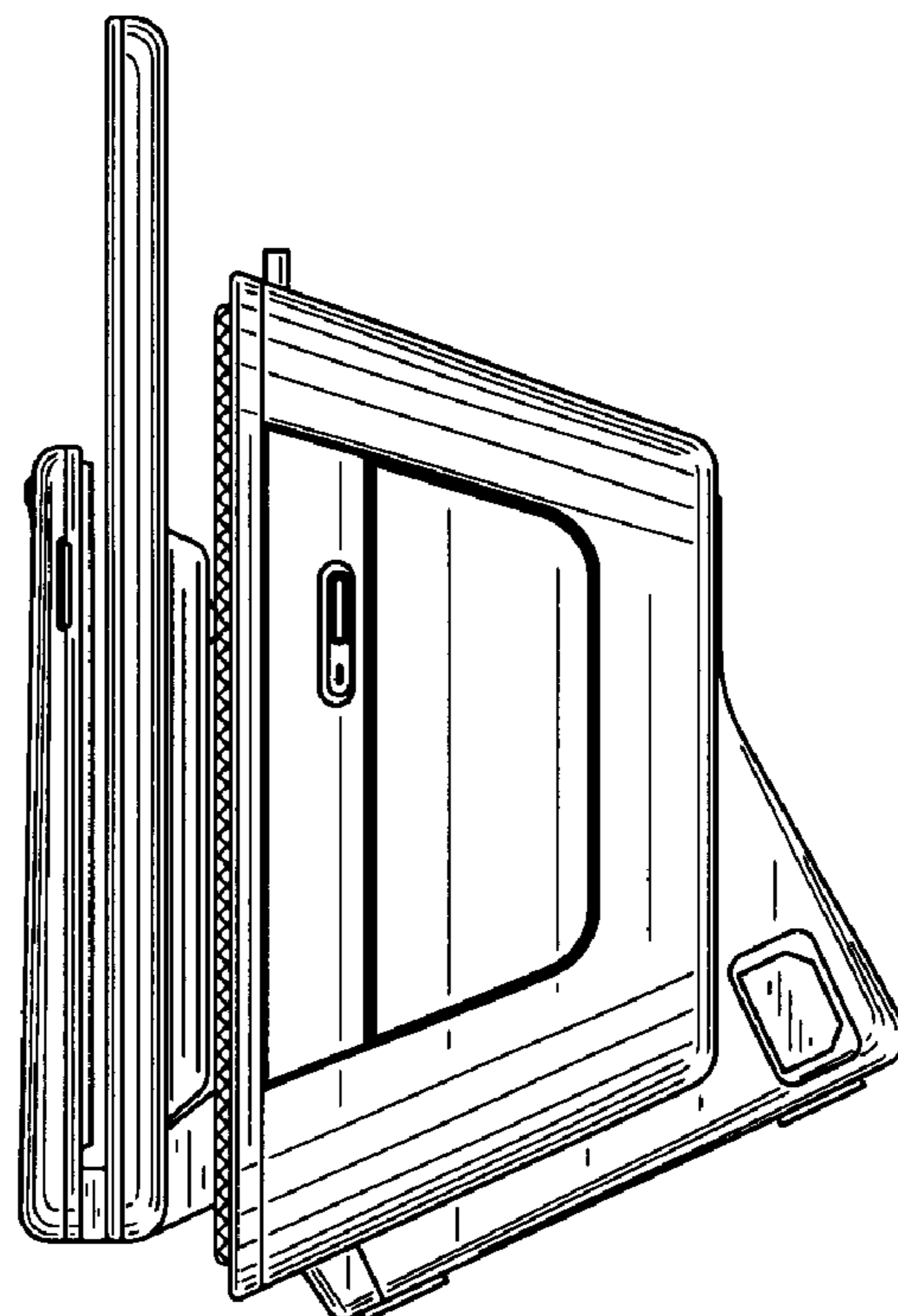


Fig.6

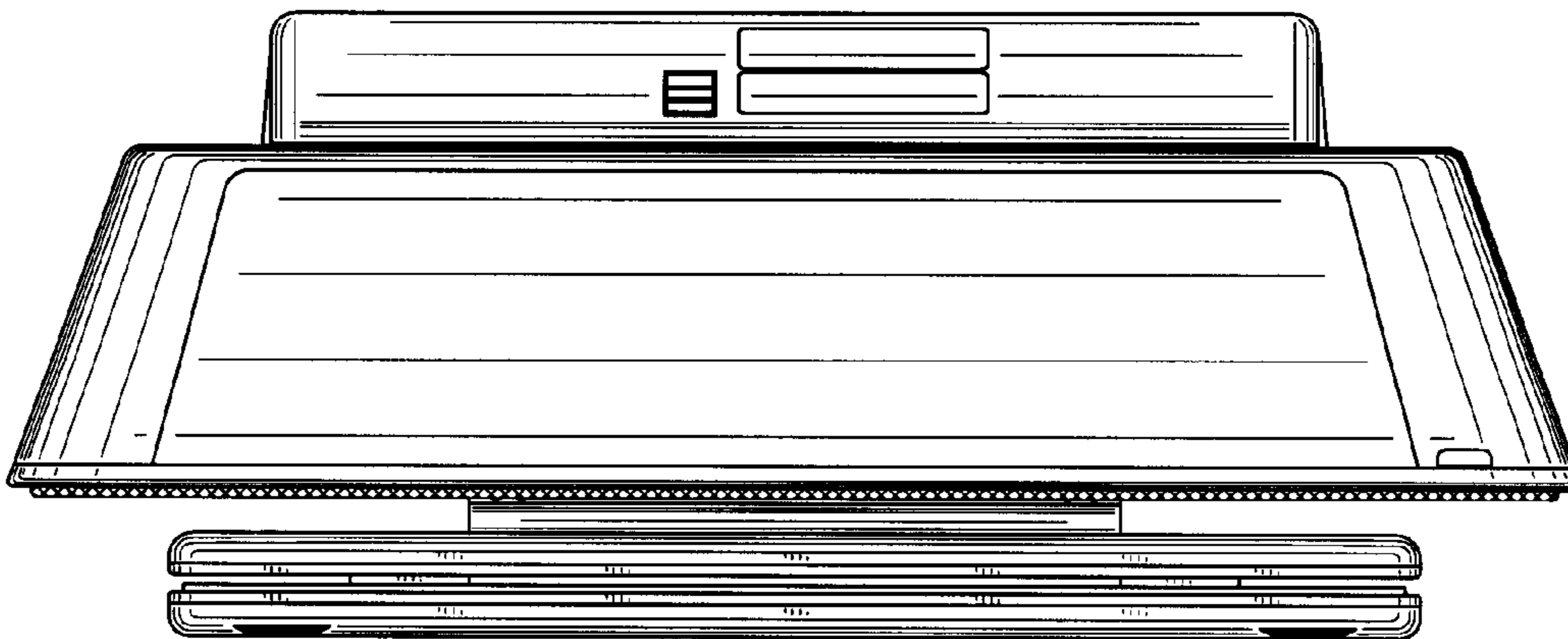


Fig.7

