

US00D515077S

(12) **United States Design Patent** (10) **Patent No.:** **US D515,077 S**
Nilsen et al. (45) **Date of Patent:** **** Feb. 14, 2006**

(54) **WIRELESS COMMUNICATION DEVICE**

(75) Inventors: **Ryan M. Nilsen**, Pompano, FL (US);
Joseph L. Dvorak, Boca Raton, FL (US)

(73) Assignee: **Motorola, Inc.**, Schaumburg, IL (US)

(**) Term: **14 Years**

(21) Appl. No.: **29/212,294**

(22) Filed: **Aug. 30, 2004**

Related U.S. Application Data

(62) Division of application No. 29/205,327, filed on May 12, 2004.

(51) **LOC (8) Cl.** **14-03**

(52) **U.S. Cl.** **D14/240**

(58) **Field of Classification Search** D14/240,
D14/217, 218, 299, 241-256; 455/151.1-151.4,
455/152.1, 352-355; D13/168

See application file for complete search history.

(56) **References Cited**

U.S. PATENT DOCUMENTS

D420,671 S * 2/2000 Jacobsen et al. D14/240
D422,595 S * 4/2000 Taylor et al. D14/240

D453,154 S * 1/2002 Åstradsson D14/240
D475,996 S * 6/2003 Skulley D14/240
D479,521 S * 9/2003 Arpe D14/240
D484,497 S * 12/2003 Alviar et al. D14/240
D492,946 S * 7/2004 Loiske et al. D14/240
D496,031 S * 9/2004 Ma et al. D14/240

* cited by examiner

Primary Examiner—Charles A. Rademaker

(74) *Attorney, Agent, or Firm*—Design IP

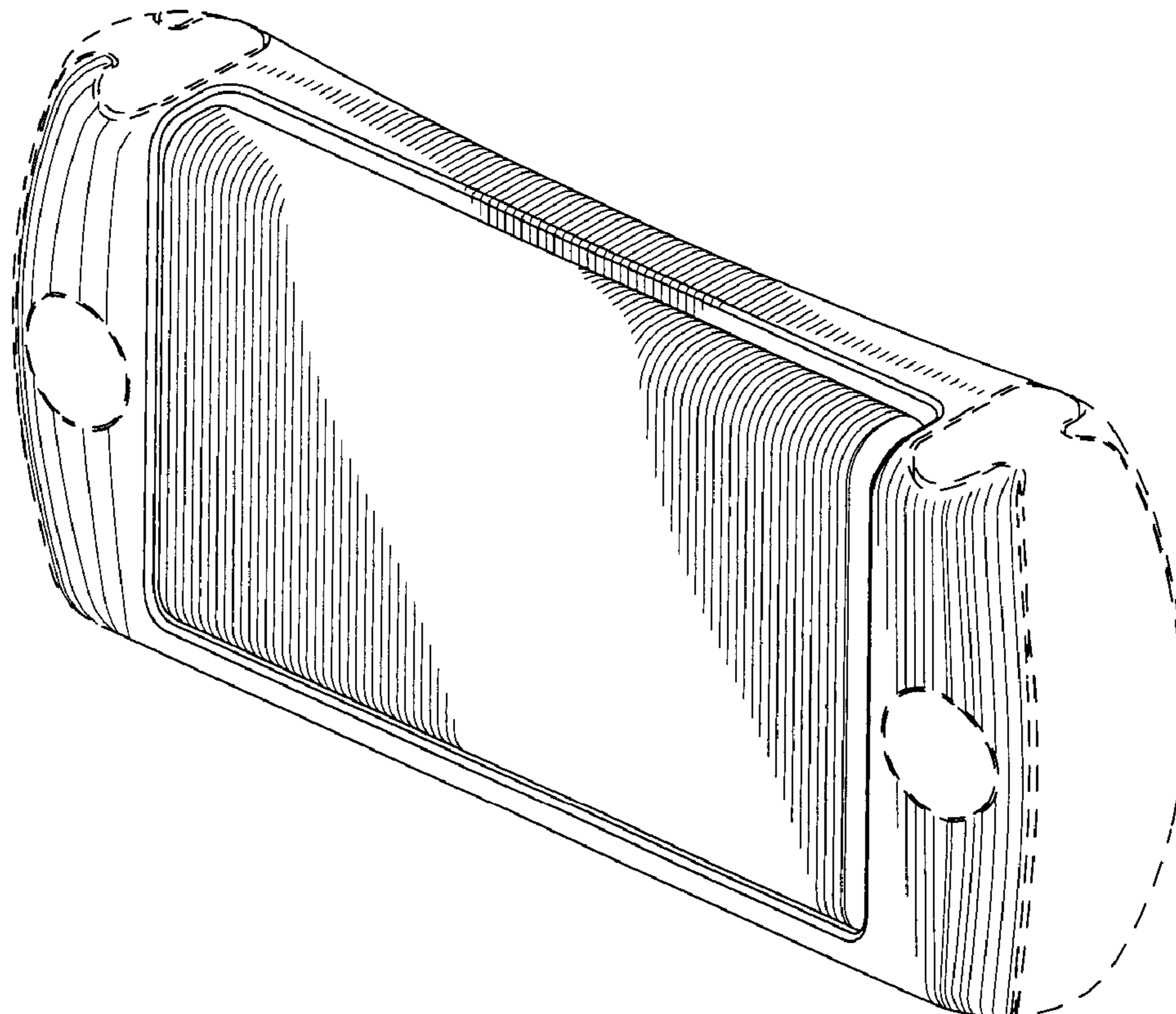
(57) **CLAIM**

The ornamental design for a wireless communication device, as shown and described.

DESCRIPTION

FIG. 1 is a front perspective view of a wireless communication device showing our new design; FIG. 2 is a front elevation thereof; FIG. 3 is a rear elevation thereof; FIG. 4 is a top plan view thereof; FIG. 5 is a bottom plan view thereof; FIG. 6 is a right side elevation thereof; and, FIG. 7 is a left side elevation thereof. The broken lines are used in the drawings to define boundaries of the claimed design and form no part of what is claimed.

1 Claim, 3 Drawing Sheets



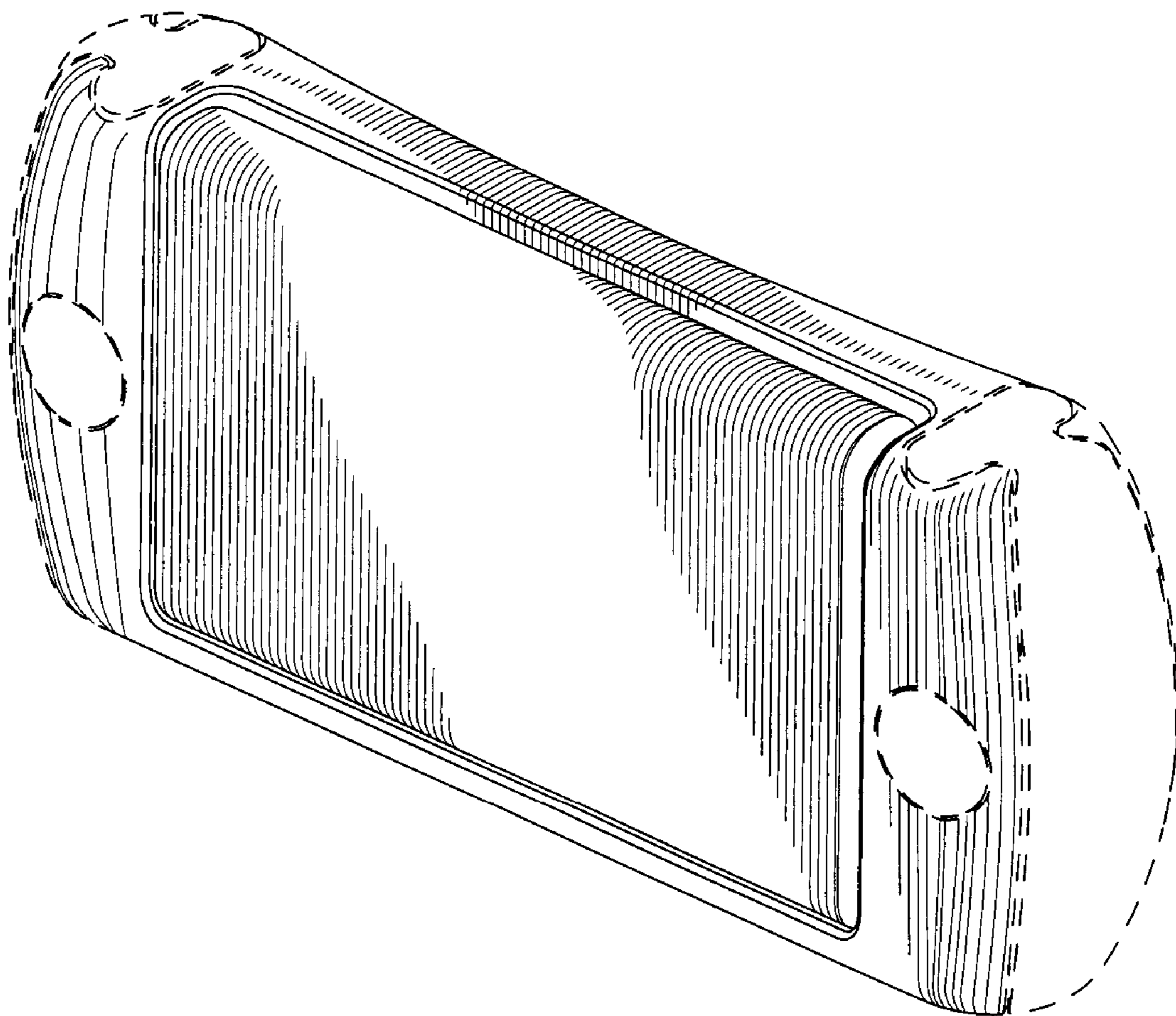


FIG. 1

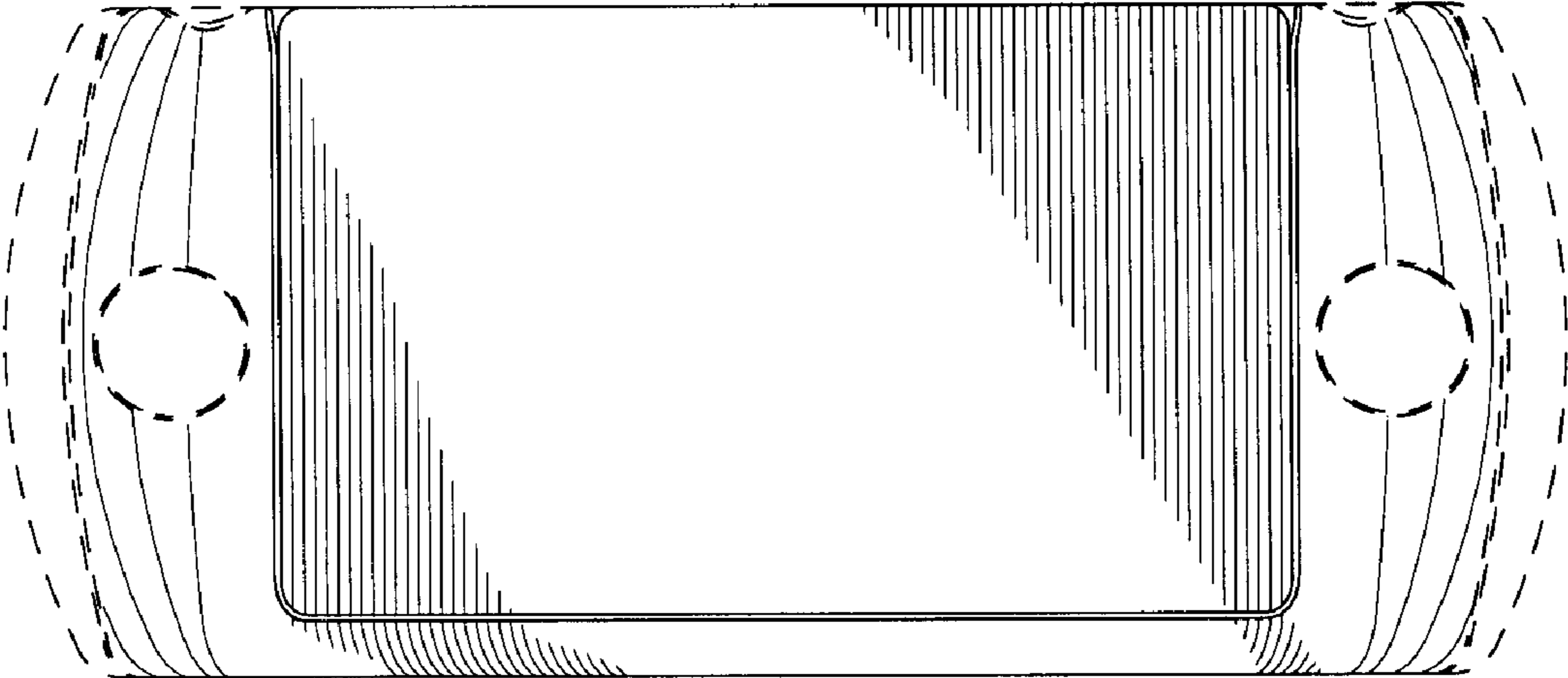


FIG. 2

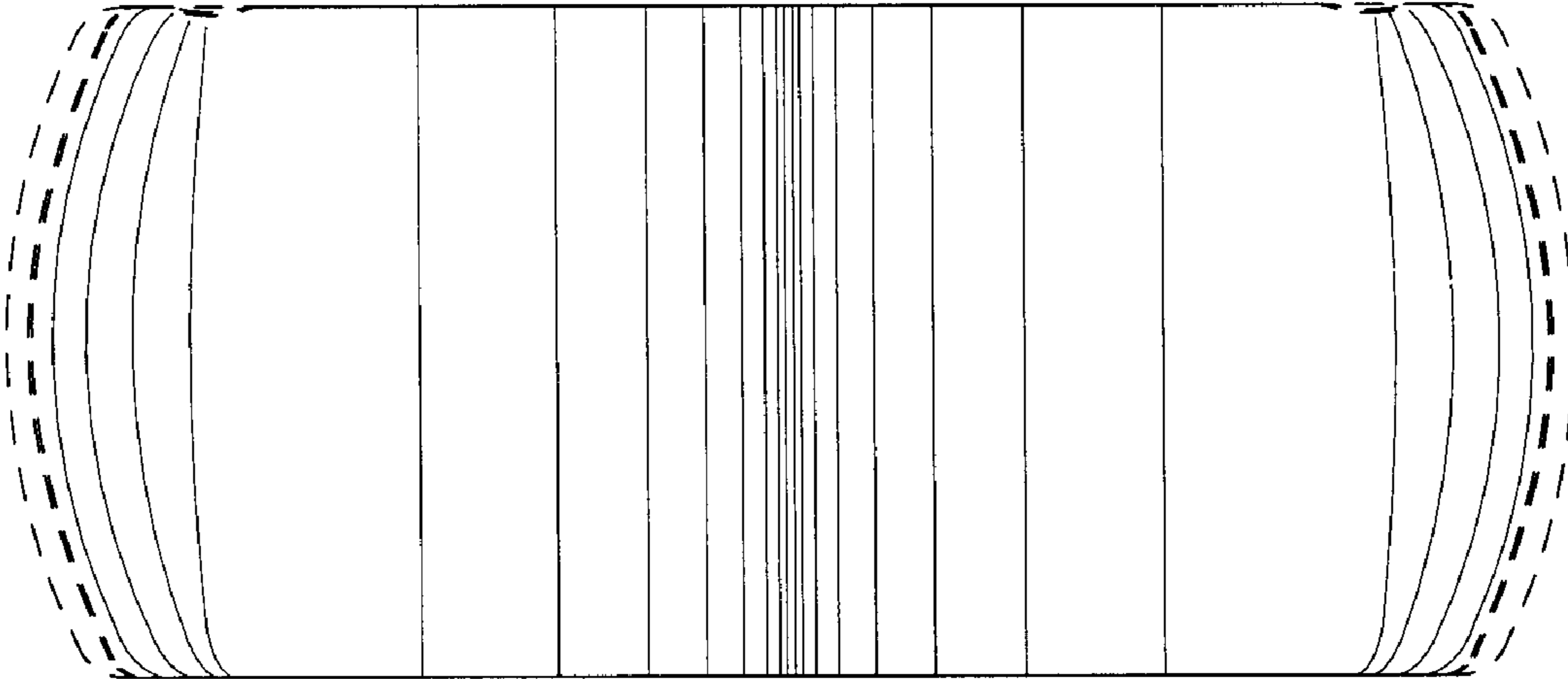


FIG. 3

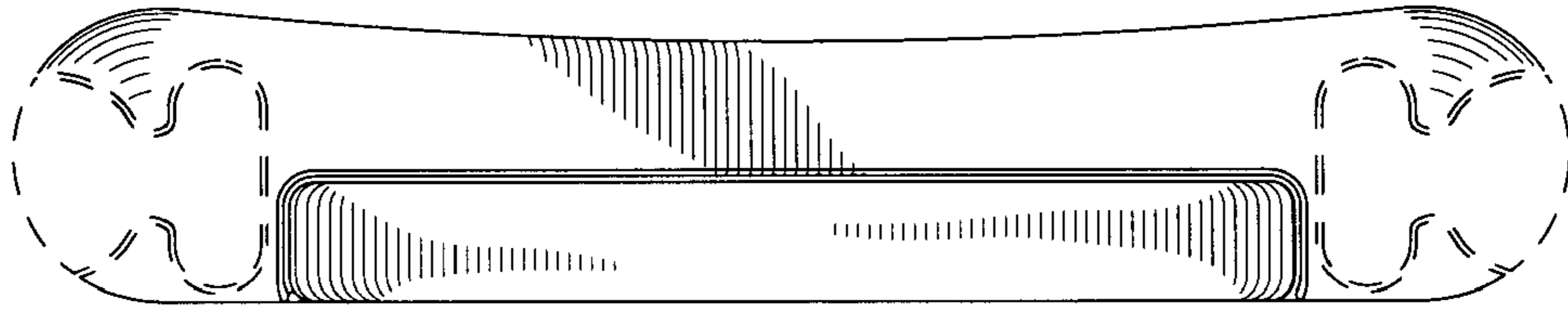


FIG. 4

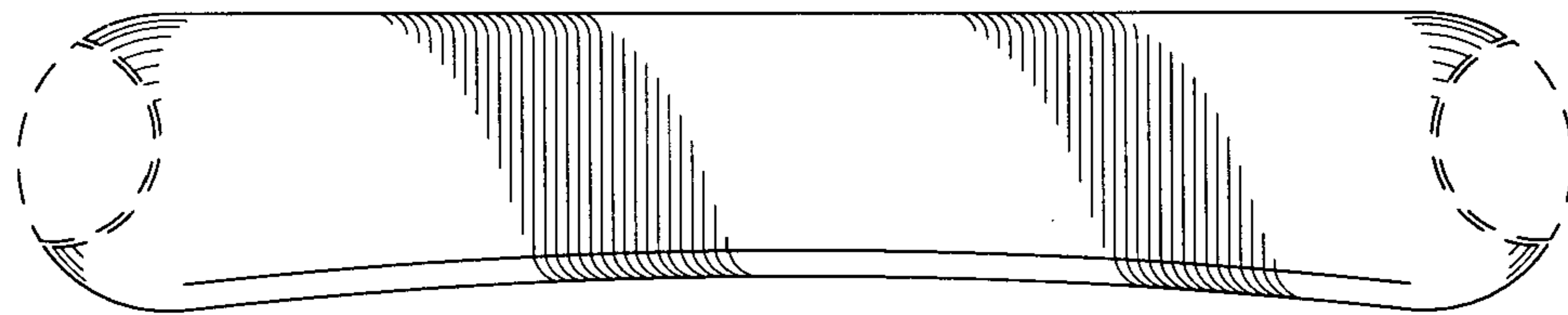


FIG. 5

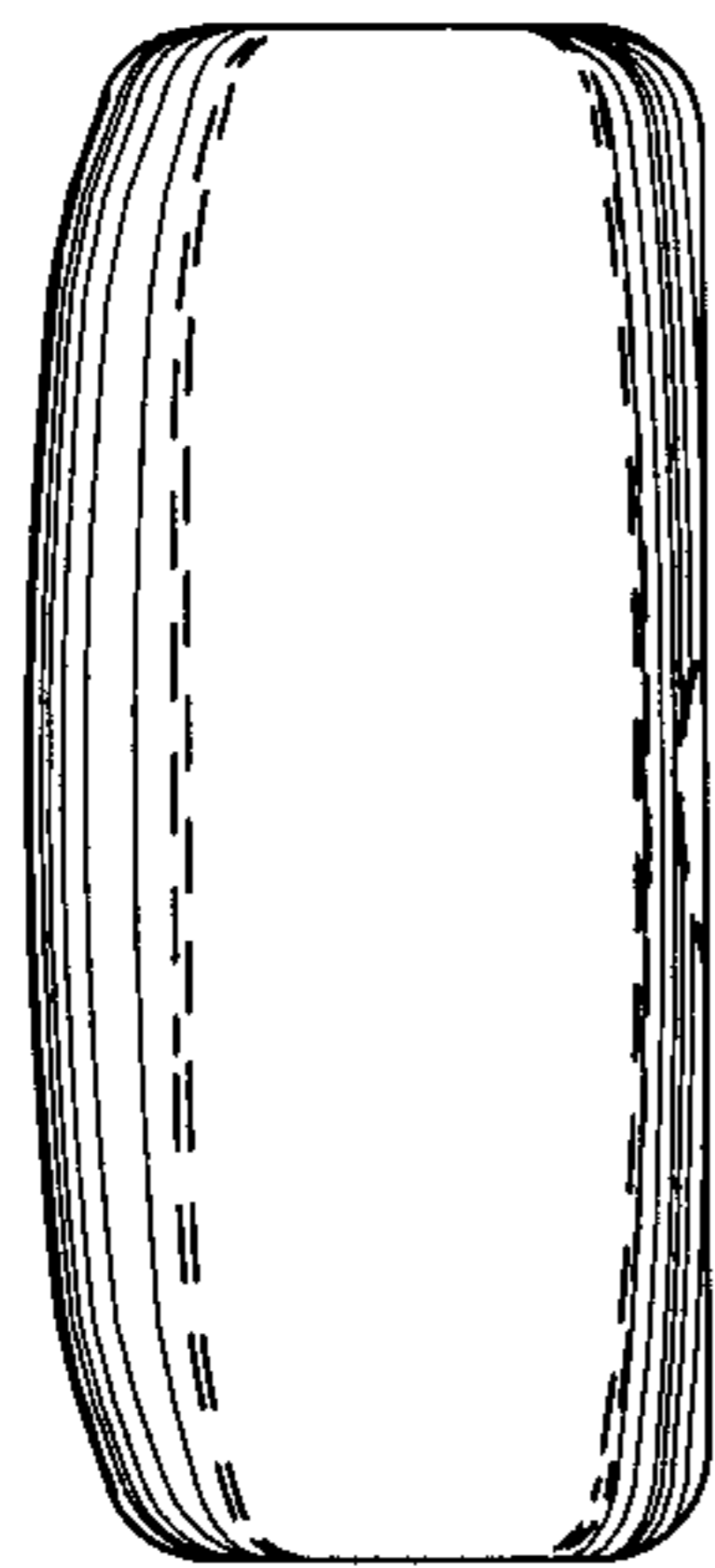


FIG. 6

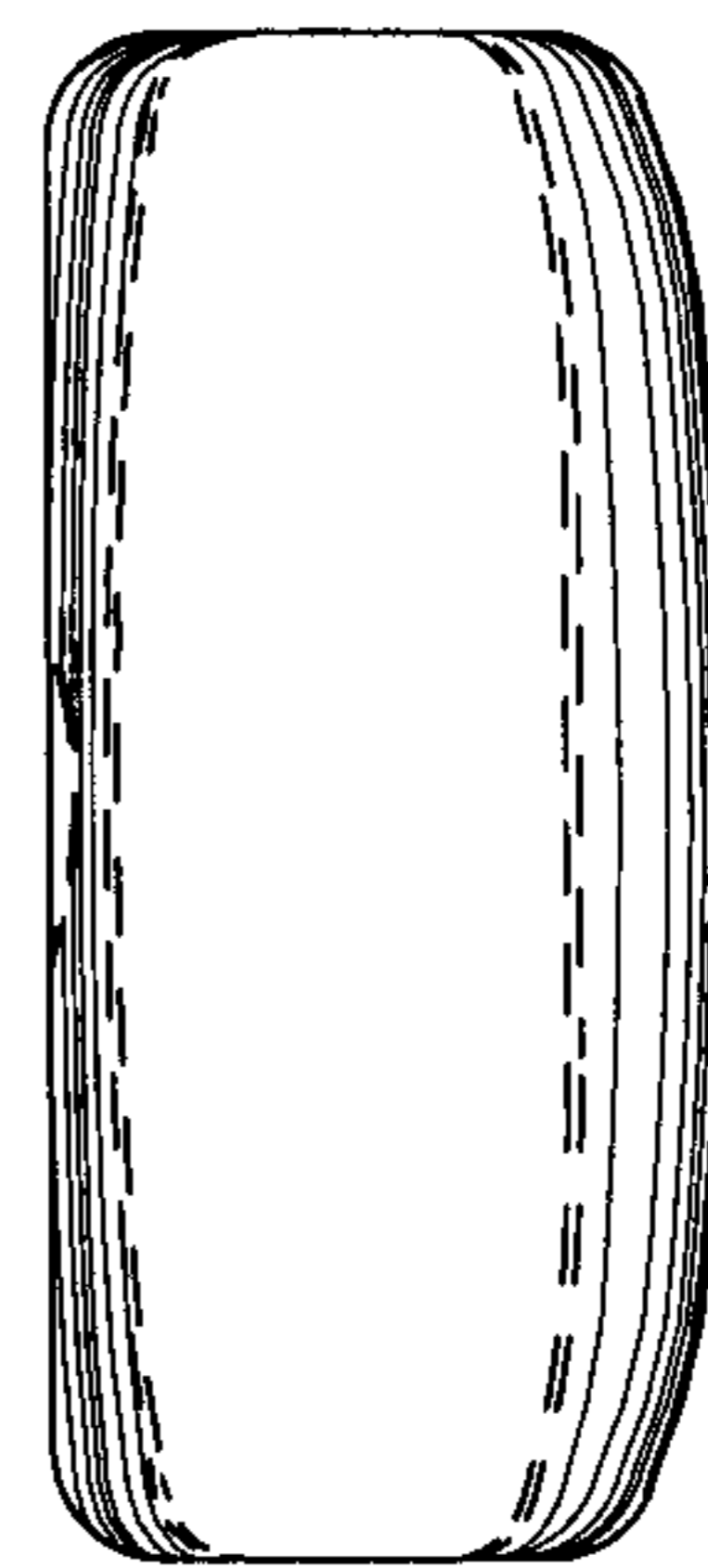


FIG. 7

UNITED STATES PATENT AND TRADEMARK OFFICE
CERTIFICATE OF CORRECTION

PATENT NO. : Des. 515,077 S
APPLICATION NO. : 29/212294
DATED : February 14, 2006
INVENTOR(S) : Ryan M. Nilsen et al.

Page 1 of 3

It is certified that error appears in the above-identified patent and that said Letters Patent is hereby corrected as shown below:

The title page should be deleted and substitute therefore the attached title page.

In the drawings:

Delete Fig. 1 and substitute therefore Fig. 1 as shown on the attached page.

Signed and Sealed this

Seventeenth Day of October, 2006

A handwritten signature in black ink on a dotted background. The signature reads "Jon W. Dudas" in a cursive style.

JON W. DUDAS

Director of the United States Patent and Trademark Office

(12) **United States Design Patent** (10) **Patent No.: US D515,077 S**
Nilsen et al. (45) **Date of Patent: ** Feb. 14, 2006**

(54) **WIRELESS COMMUNICATION DEVICE**

(75) **Inventors: Ryan M. Nilsen, Pompano, FL (US);
Joseph L. Dvorak, Boca Raton, FL
(US)**

(73) **Assignee: Motorola, Inc., Schaumburg, IL (US)**

(**) **Term: 14 Years**

(21) **Appl. No.: 29/212,294**

(22) **Filed: Aug. 30, 2004**

Related U.S. Application Data

(62) **Division of application No. 29/205,327, filed on May 12, 2004.**

(51) **LOC (8) Cl. 14-03**

(52) **U.S. Cl. D14/240**

(58) **Field of Classification Search D14/240,
D14/217, 218, 299, 241-256; 455/151.1-151.4,
455/152.1, 352-355; D13/168**

See application file for complete search history.

(56) **References Cited**

U.S. PATENT DOCUMENTS

D420,671 S * 2/2000 Jacobsen et al. D14/240
D422,595 S * 4/2000 Taylor et al. D14/240

D453,154 S * 1/2002 Åstradsson D14/240
D475,996 S * 6/2003 Skulley D14/240
D479,521 S * 9/2003 Arpe D14/240
D484,497 S * 12/2003 Alviar et al. D14/240
D492,946 S * 7/2004 Loiske et al. D14/240
D496,031 S * 9/2004 Ma et al. D14/240

* cited by examiner

Primary Examiner—Charles A. Rademaker

(74) *Attorney, Agent, or Firm*—Design IP

(57) **CLAIM**

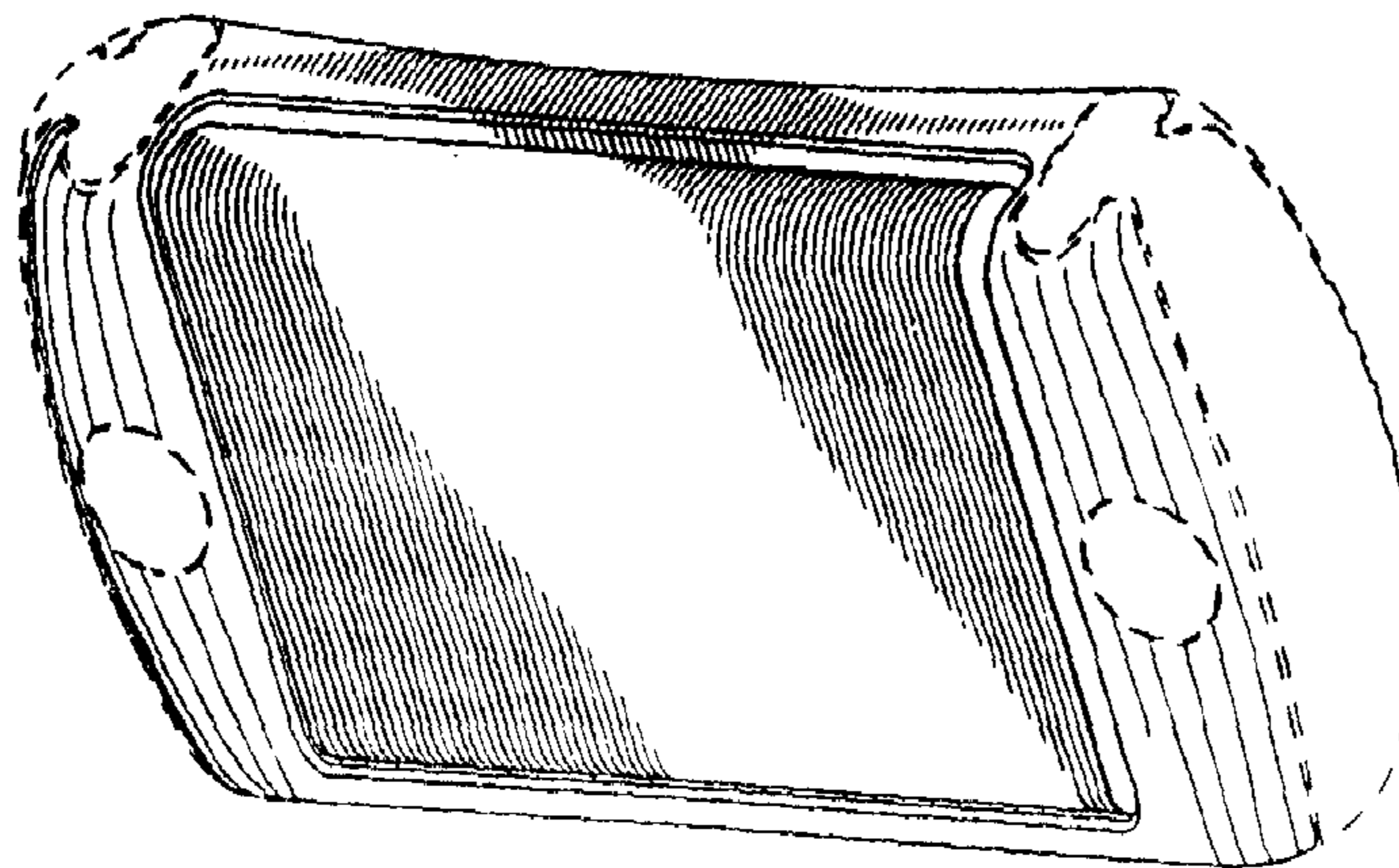
The ornamental design for a wireless communication device, as shown and described.

DESCRIPTION

FIG. 1 is a front perspective view of a wireless communication device showing our new design;
FIG. 2 is a front elevation thereof;
FIG. 3 is a rear elevation thereof;
FIG. 4 is a top plan view thereof;
FIG. 5 is a bottom plan view thereof;
FIG. 6 is a right side elevation thereof; and,
FIG. 7 is a left side elevation thereof.

The broken lines are used in the drawings to define boundaries of the claimed design and form no part of what is claimed.

1 Claim, 3 Drawing Sheets



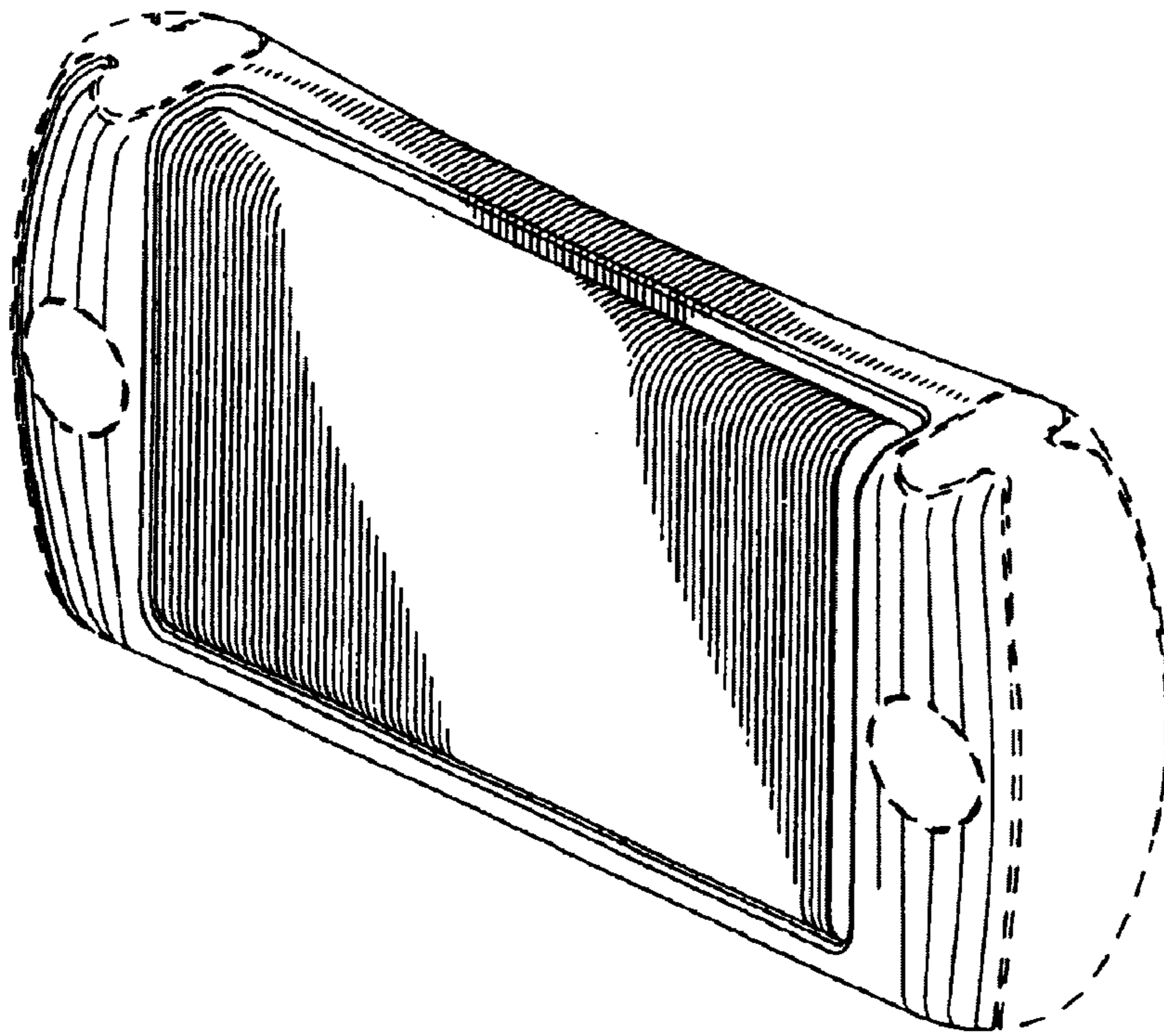


FIG. 1