



US00D515071S

(12) **United States Design Patent**
Dietz et al.

(10) **Patent No.:** **US D515,071 S**
(45) **Date of Patent:** **** Feb. 14, 2006**

(54) **SPEAKER**
(75) Inventors: **David S. Dietz**, Camus, WA (US);
Joseph M. Westrup, Portland, OR (US)

D437,305 S * 2/2001 Dietz et al. D14/211
D440,555 S * 4/2001 Dietz et al. D14/214
D449,829 S * 10/2001 Gustavsson et al. D14/214
D476,309 S * 6/2003 Narita D14/211
D480,704 S * 10/2003 Ryu D14/211

(73) Assignee: **Cyber Acoustics, LLC**, Vancouver, WA (US)

* cited by examiner

(**) Term: **14 Years**

Primary Examiner—Nanda Bondade
(74) *Attorney, Agent, or Firm*—Chernoff, Vilhauer, McClung & Stenzel, LLP

(21) Appl. No.: **29/198,879**

(57) **CLAIM**

(22) Filed: **Feb. 4, 2004**

The ornamental design for a speaker, as shown and described.

(51) **LOC (8) Cl.** **14-01**

(52) **U.S. Cl.** **D14/211**

(58) **Field of Classification Search** D14/204,
D14/207, 209–216, 356; 181/143–144, 147–148,
181/150, 157, 198–199, 151, 153; 381/300–302,
381/306, 333, 345, 361–364, 386–388, 332,
381/336

DESCRIPTION

See application file for complete search history.

FIG. 1 is a perspective view of the speaker embodying our new design;
FIG. 2 is a side view thereof;
FIG. 3 is a top view thereof;
FIG. 4 is a front view thereof; and,
FIG. 5 is a rear view thereof.

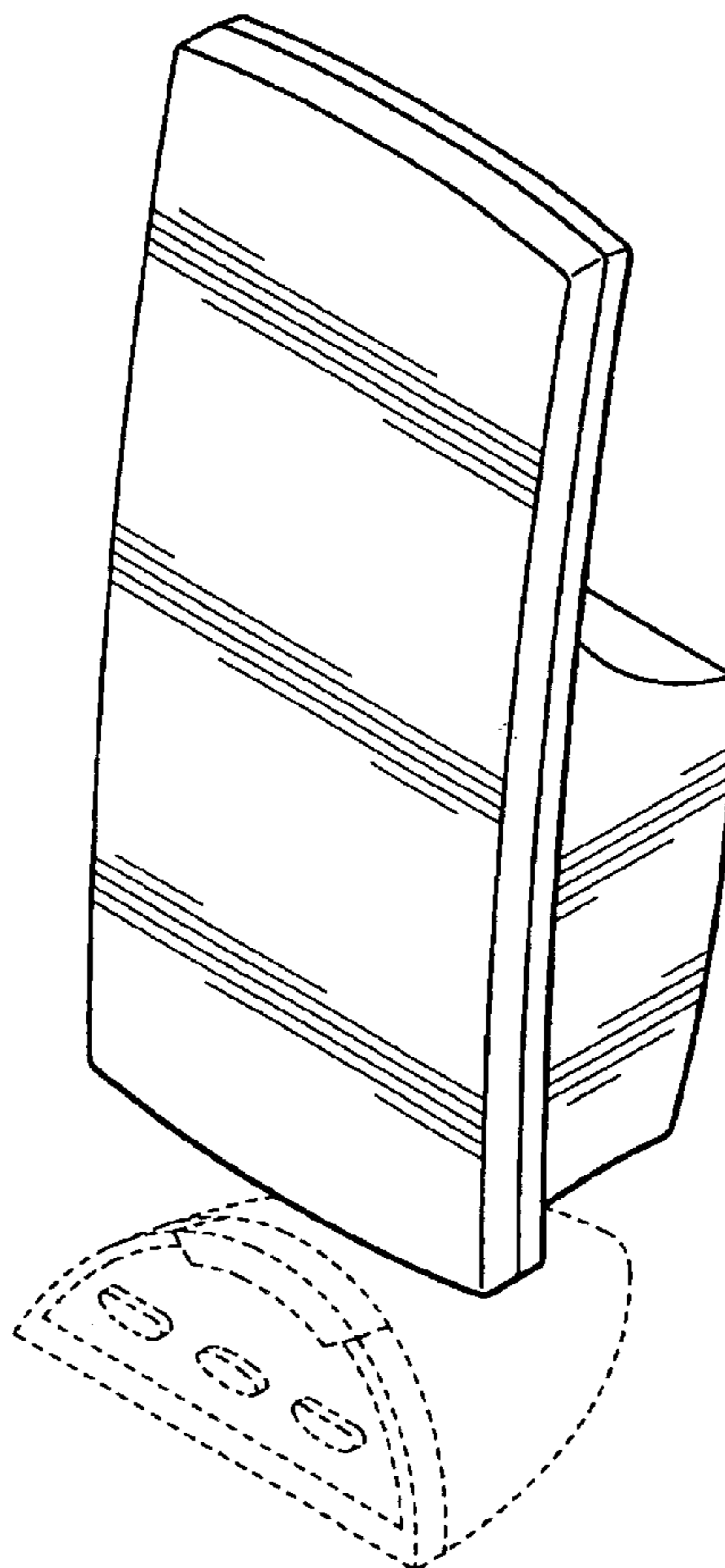
In FIGS. 1–5, a speaker pedestal base and speaker control knobs are shown in broken line for illustrative purposes only and form no part of the claimed design.

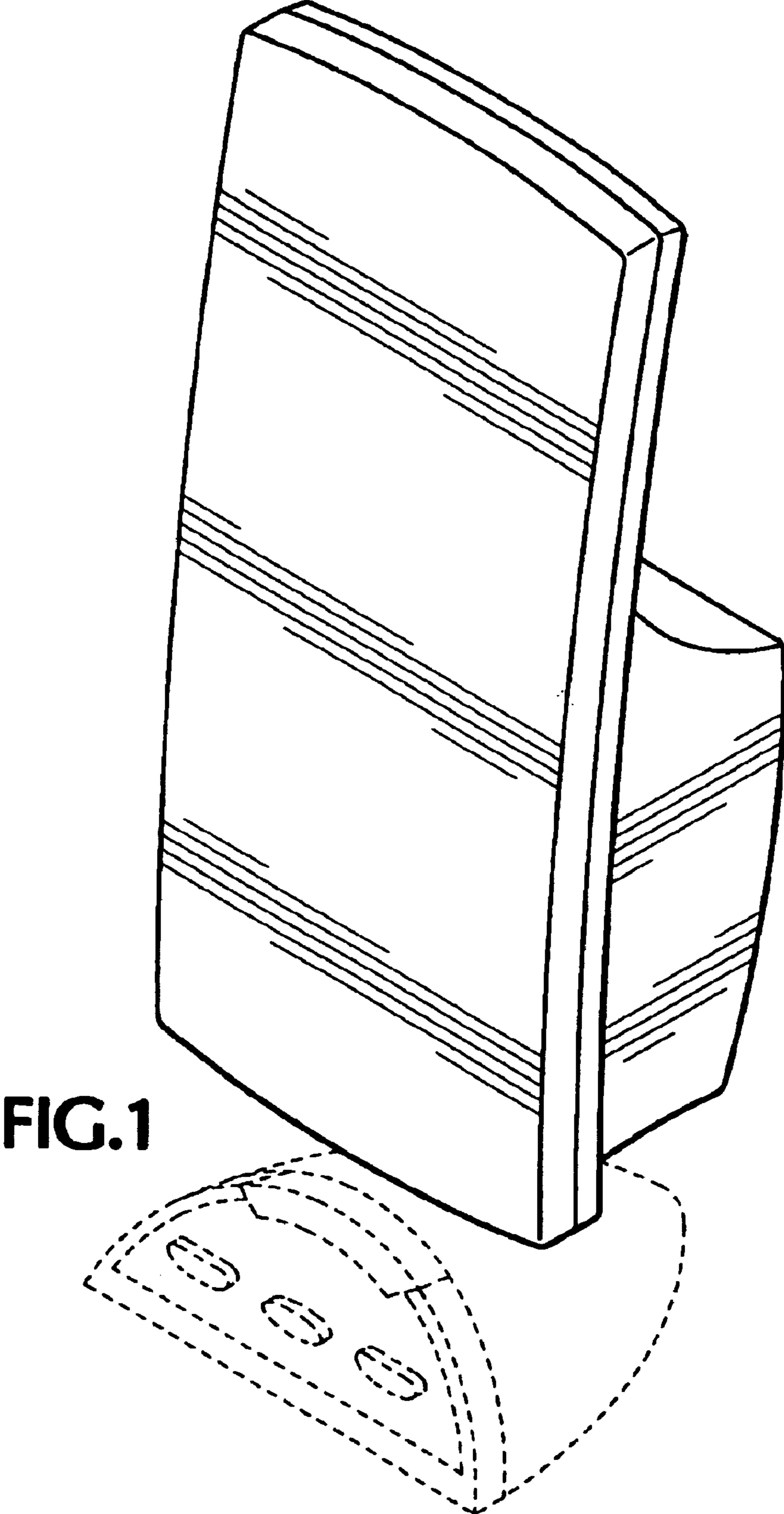
(56) **References Cited**

U.S. PATENT DOCUMENTS

6,035,962 A * 3/2000 Lin 181/199

1 Claim, 3 Drawing Sheets





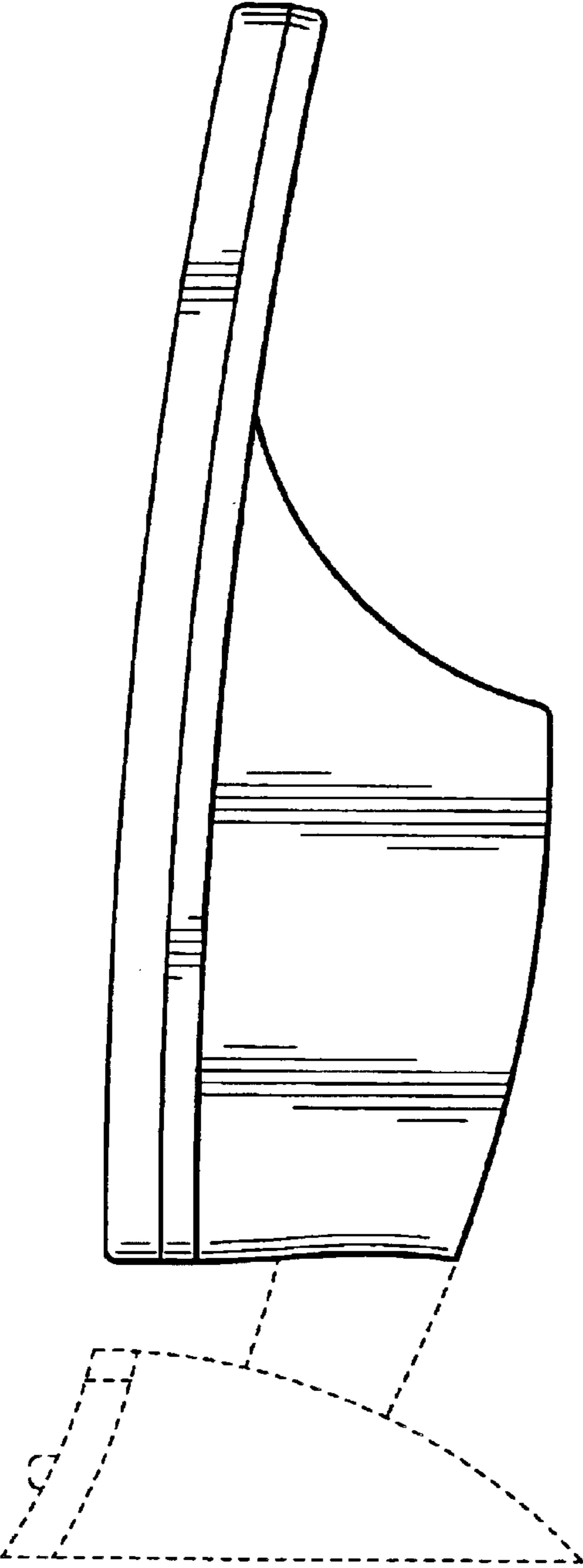


FIG. 2

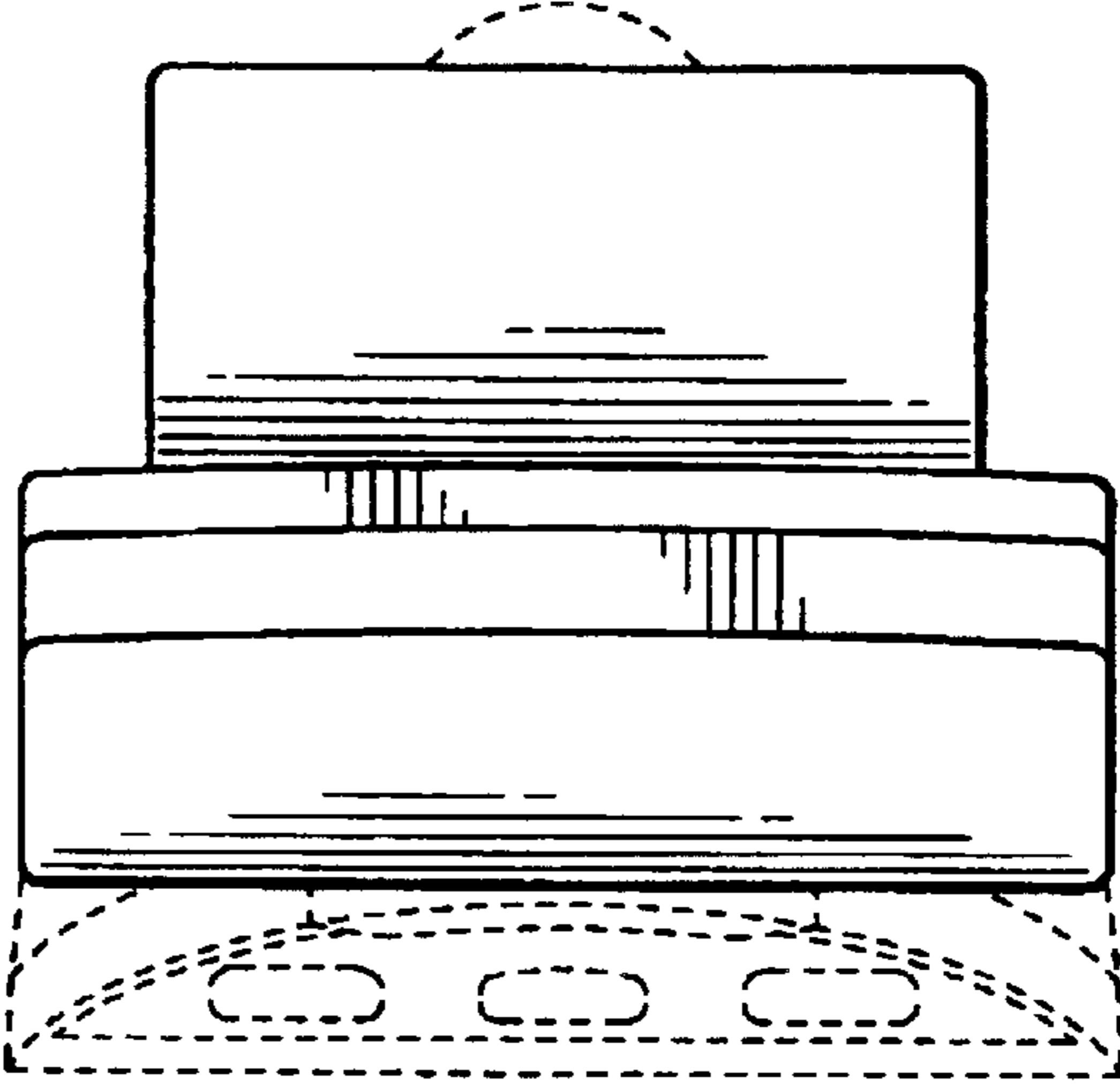


FIG. 3

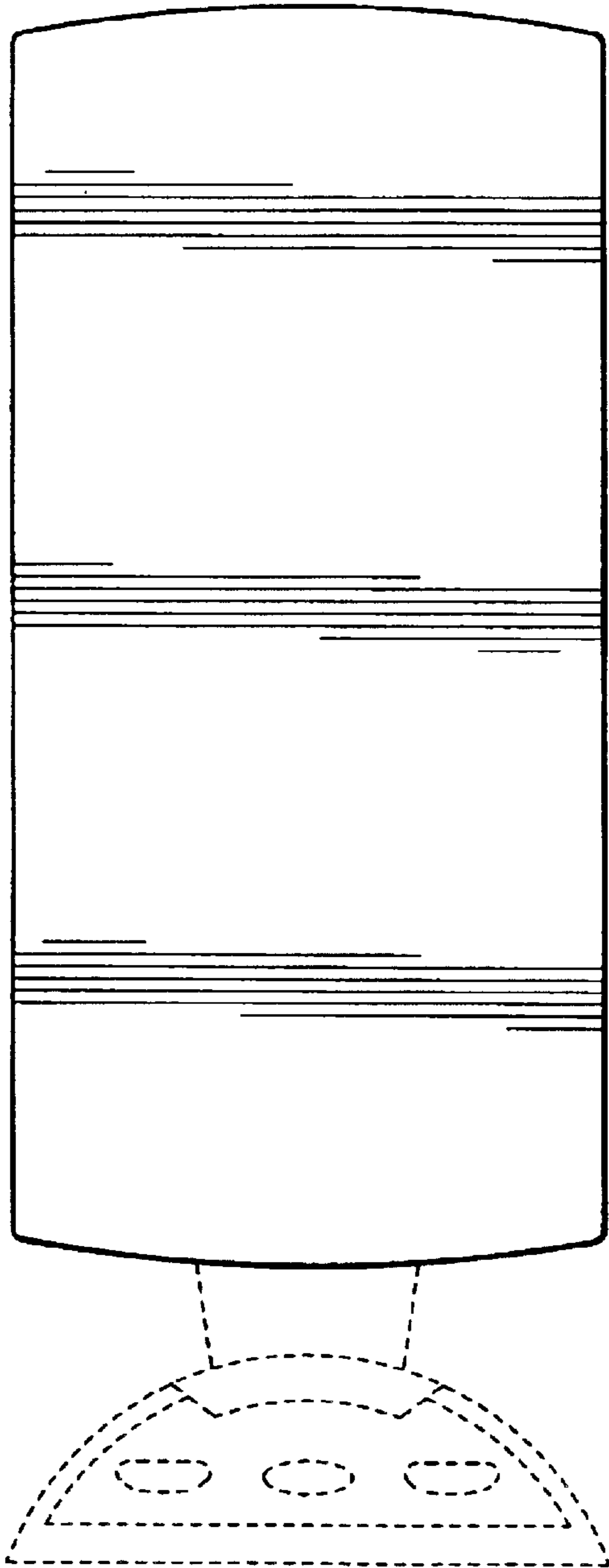


FIG. 4

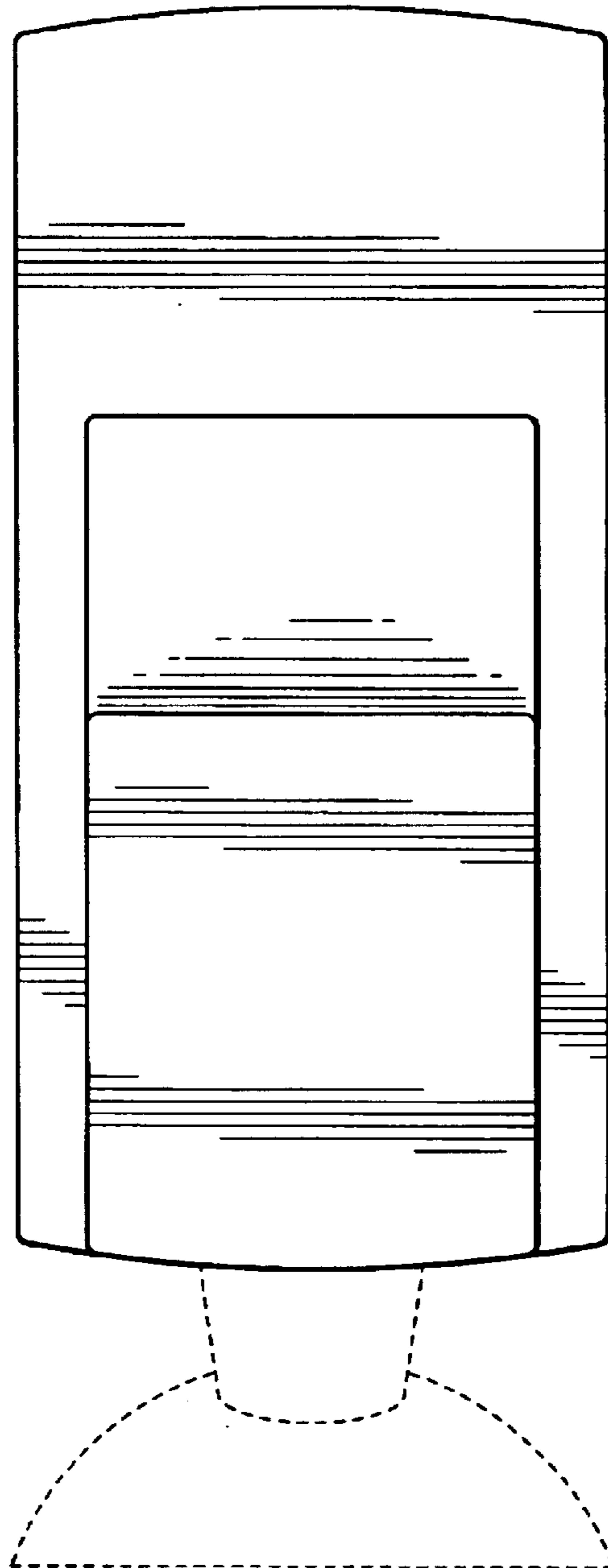


FIG. 5