



US00D515067S

(12) **United States Design Patent** (10) **Patent No.:** **US D515,067 S**  
**Yoshitake et al.** (45) **Date of Patent:** **\*\* Feb. 14, 2006**

(54) **COMBINED VIDEO DISK PLAYER AND HARD DISK RECORDER**

(75) Inventors: **Moriyasu Yoshitake**, Daito (JP);  
**Shigeyuki Takao**, Osaka (JP)

(73) Assignee: **Funai Electric Company Limited**,  
Osaka (JP)

(\*\*) Term: **14 Years**

(21) Appl. No.: **29/214,271**

(22) Filed: **Oct. 1, 2004**

(30) **Foreign Application Priority Data**

Apr. 1, 2004 (JP) ..... 2004-010161  
Apr. 1, 2004 (JP) ..... 2004-010162  
Apr. 1, 2004 (JP) ..... 2004-010163

(51) **LOC (8) Cl.** ..... **14-01**

(52) **U.S. Cl.** ..... **D14/168; D14/136**

(58) **Field of Classification Search** ..... D14/135-136,  
D14/156-157, 160-165, 167-168, 192-198,  
D14/188, 217, 257, 258, 445; 360/99.02,  
360/99.07; 369/75.11, 75.21, 77.21, 77.11;  
720/612, 619, 647, 655; 455/344, 347-351  
See application file for complete search history.

(56) **References Cited**

**U.S. PATENT DOCUMENTS**

D250,470 S \* 12/1978 Nishigaki ..... D14/136  
D270,442 S \* 9/1983 O'Leary et al. .... D14/136  
D307,269 S \* 4/1990 Lavine ..... D14/135  
D404,394 S \* 1/1999 Oh ..... D14/135  
5,859,828 A \* 1/1999 Ishibashi ..... 720/655  
D416,553 S \* 11/1999 Nishiwaki et al. .... D14/135

\* cited by examiner

*Primary Examiner*—Nanda Bondade

(74) *Attorney, Agent, or Firm*—Sughrue Mion, PLLC

(57) **CLAIM**

The ornamental design for a combined video disk player and hard disk recorder, as shown and described.

**DESCRIPTION**

FIG. 1 is a perspective view of top, front and right side of a combined video disk player and hard disk recorder according to a first embodiment showing our new design; FIG. 2 is a front elevational view thereof; FIG. 3 is a rear elevational view thereof; FIG. 4 is a right side elevational view thereof; FIG. 5 is a left side elevational view thereof; FIG. 6 is a top plan view thereof; FIG. 7 is a bottom plan view thereof; FIG. 8 is a perspective view of the top, front and right side of a combined video disk player and hard disk recorder according to a second embodiment; FIG. 9 is a front elevational view thereof; FIG. 10 is a rear elevational view thereof; FIG. 11 is a right side elevational view thereof; FIG. 12 is a left side elevational view thereof; FIG. 13 is a top plan view thereof; FIG. 14 is a bottom plan view thereof; FIG. 15 is a perspective view of the top, front and right side of a disk player according to a third embodiment; FIG. 16 is a front elevational view thereof; FIG. 17 is a rear elevational view thereof; FIG. 18 is a right side elevational view thereof; FIG. 19 is a left side elevational view thereof; FIG. 20 is a top plan view thereof; and, FIG. 21 is a bottom plan view thereof.

The elements shown in broken lines which are visible through transparent surfaces form no part of the claimed design. The lines shown on the surfaces in FIGS. 15, 16 and 21 are simulative of woodgrain and do not represent a particular pattern.

**1 Claim, 9 Drawing Sheets**

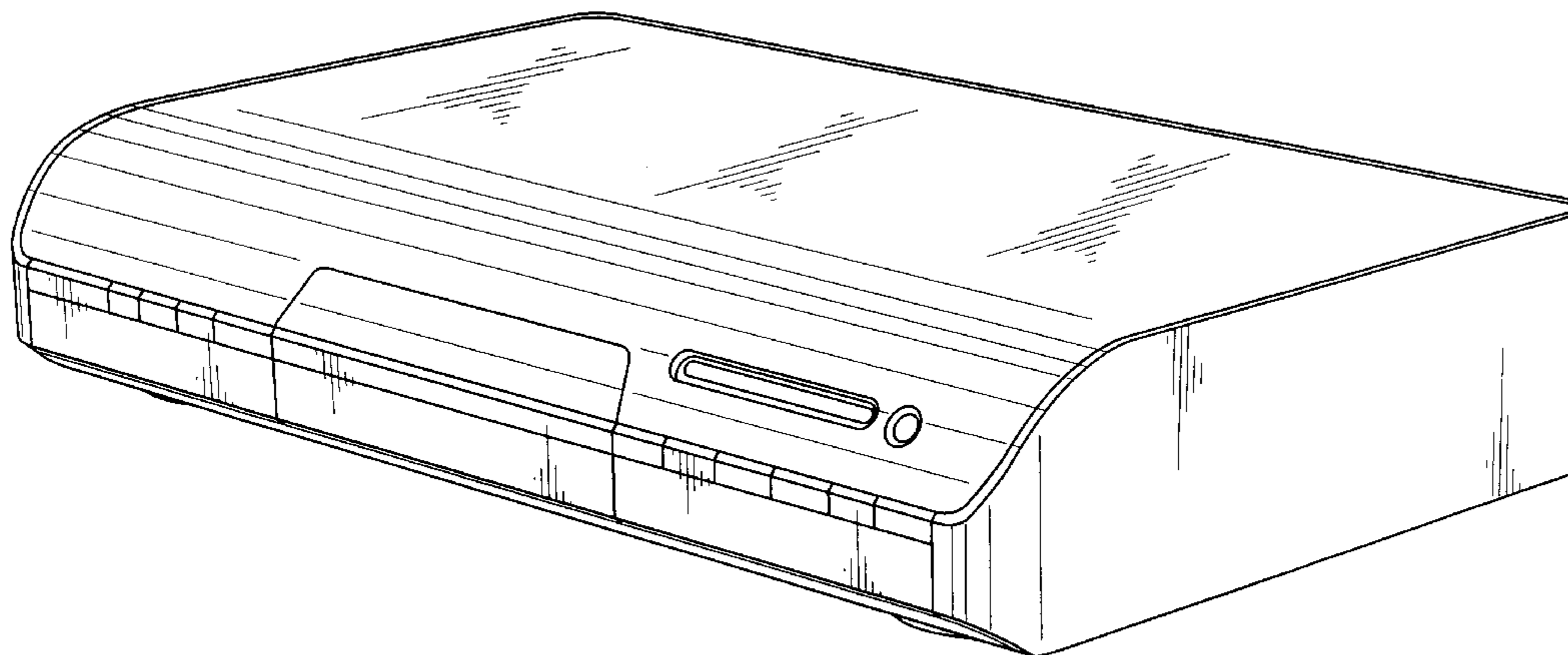
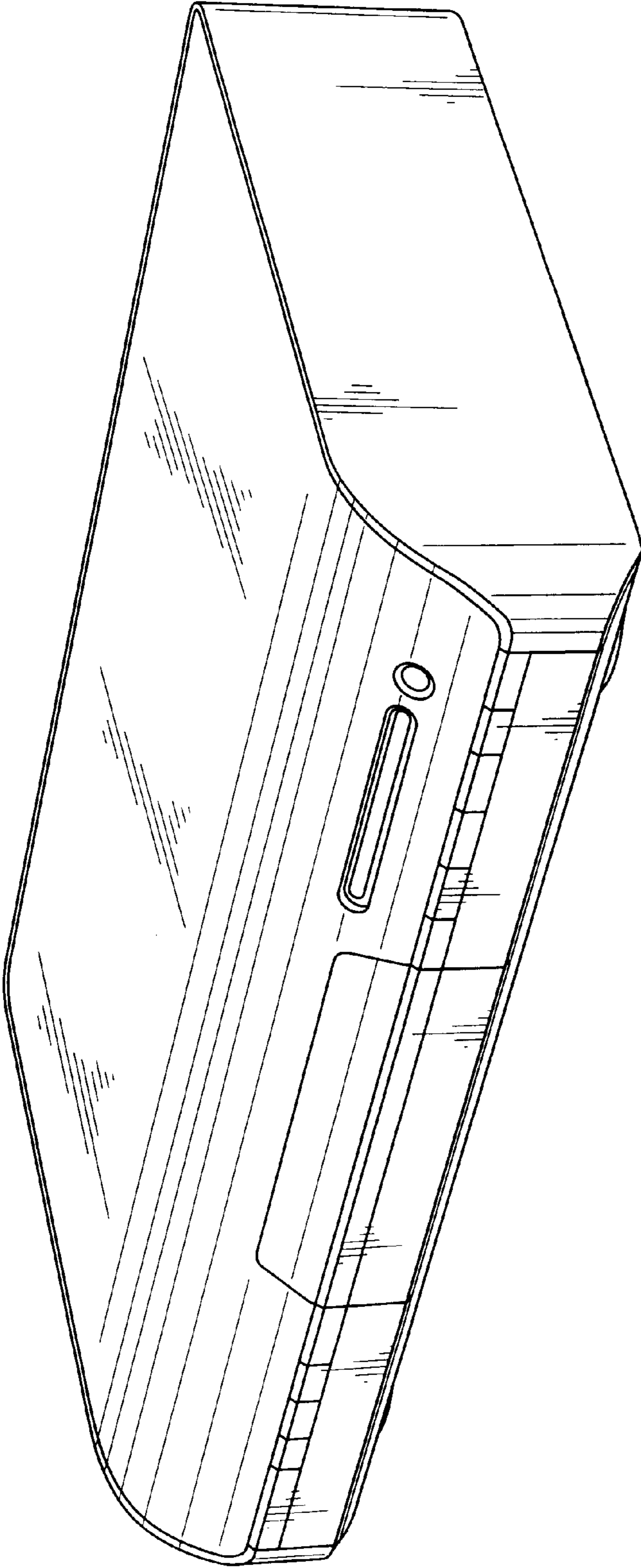
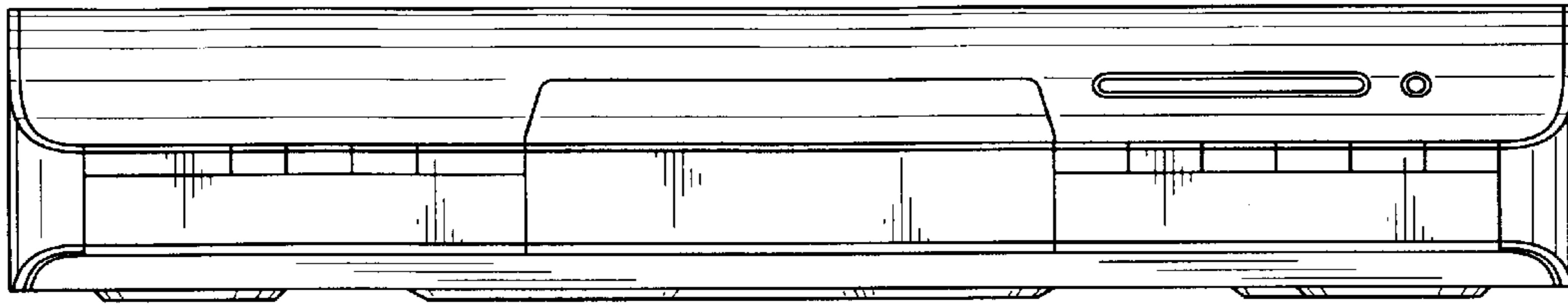


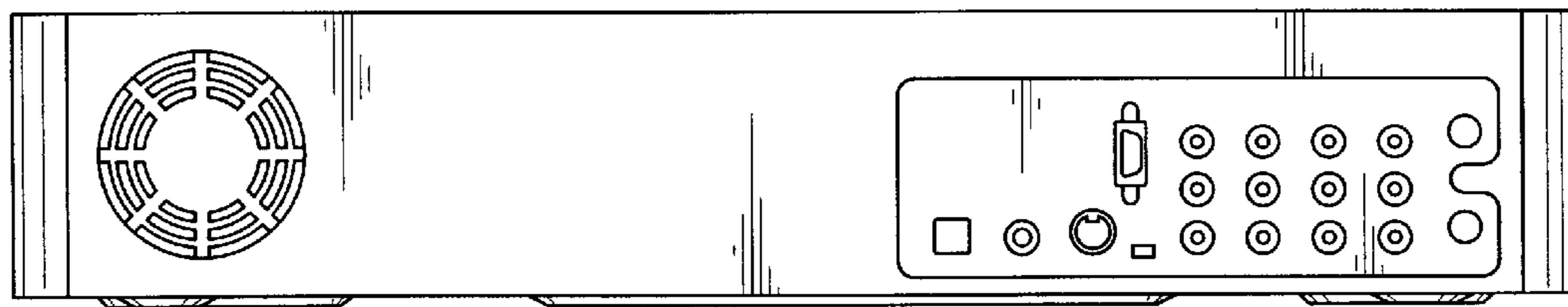
FIG. 1



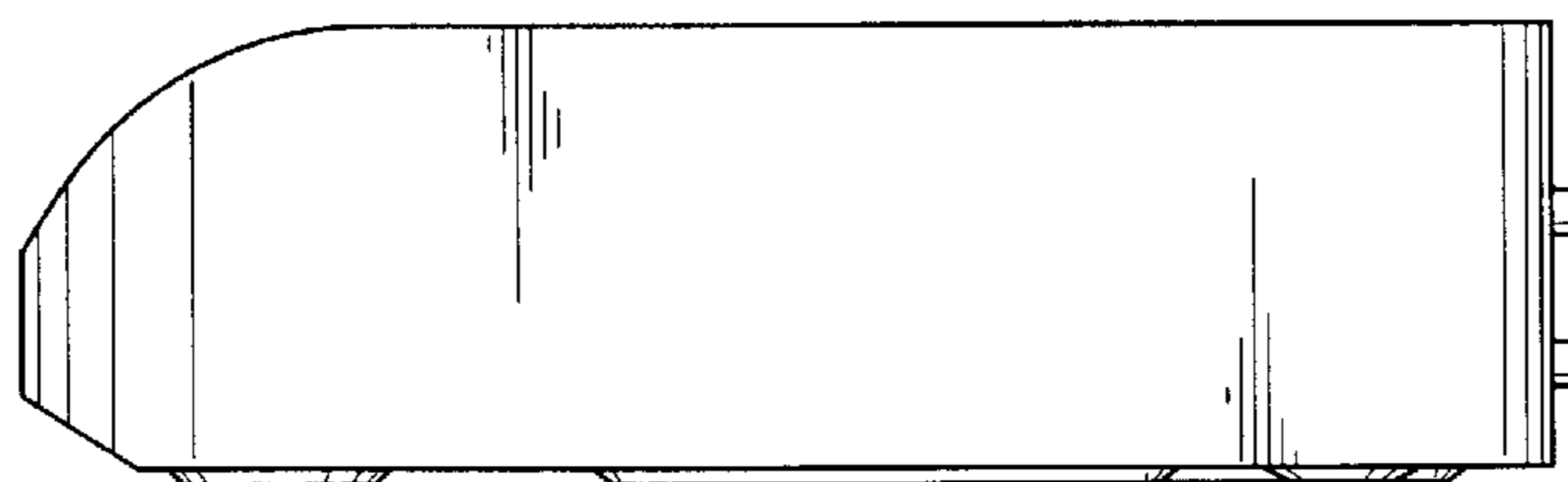
*FIG. 2*



*FIG. 3*



*FIG. 4*



*FIG. 5*

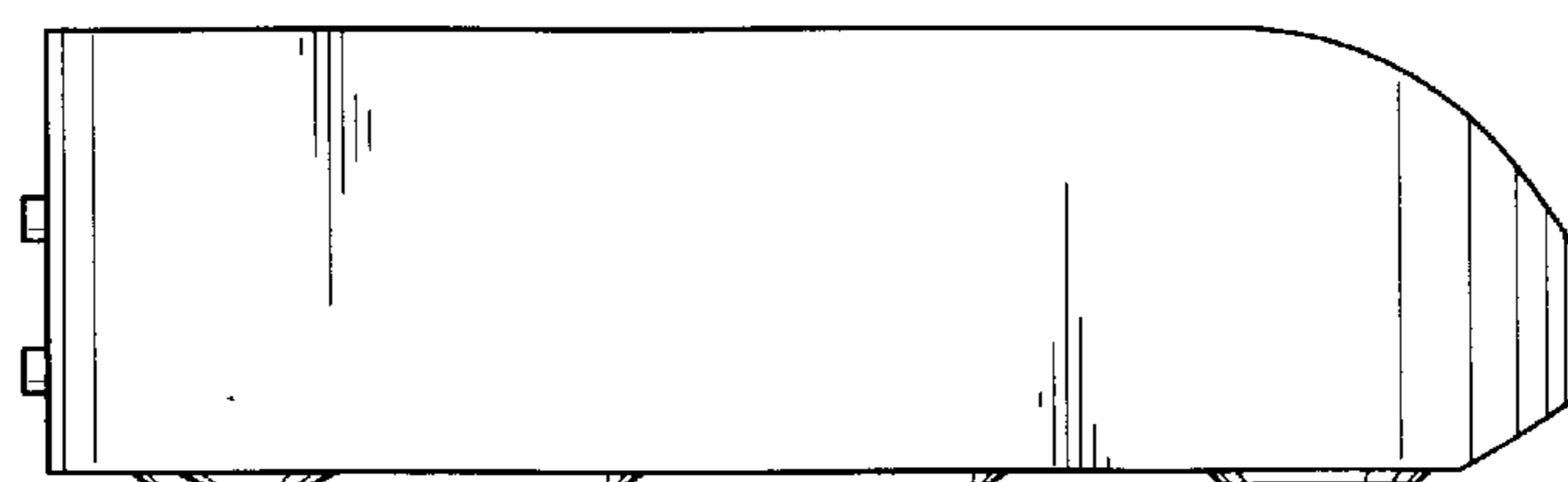


FIG. 6

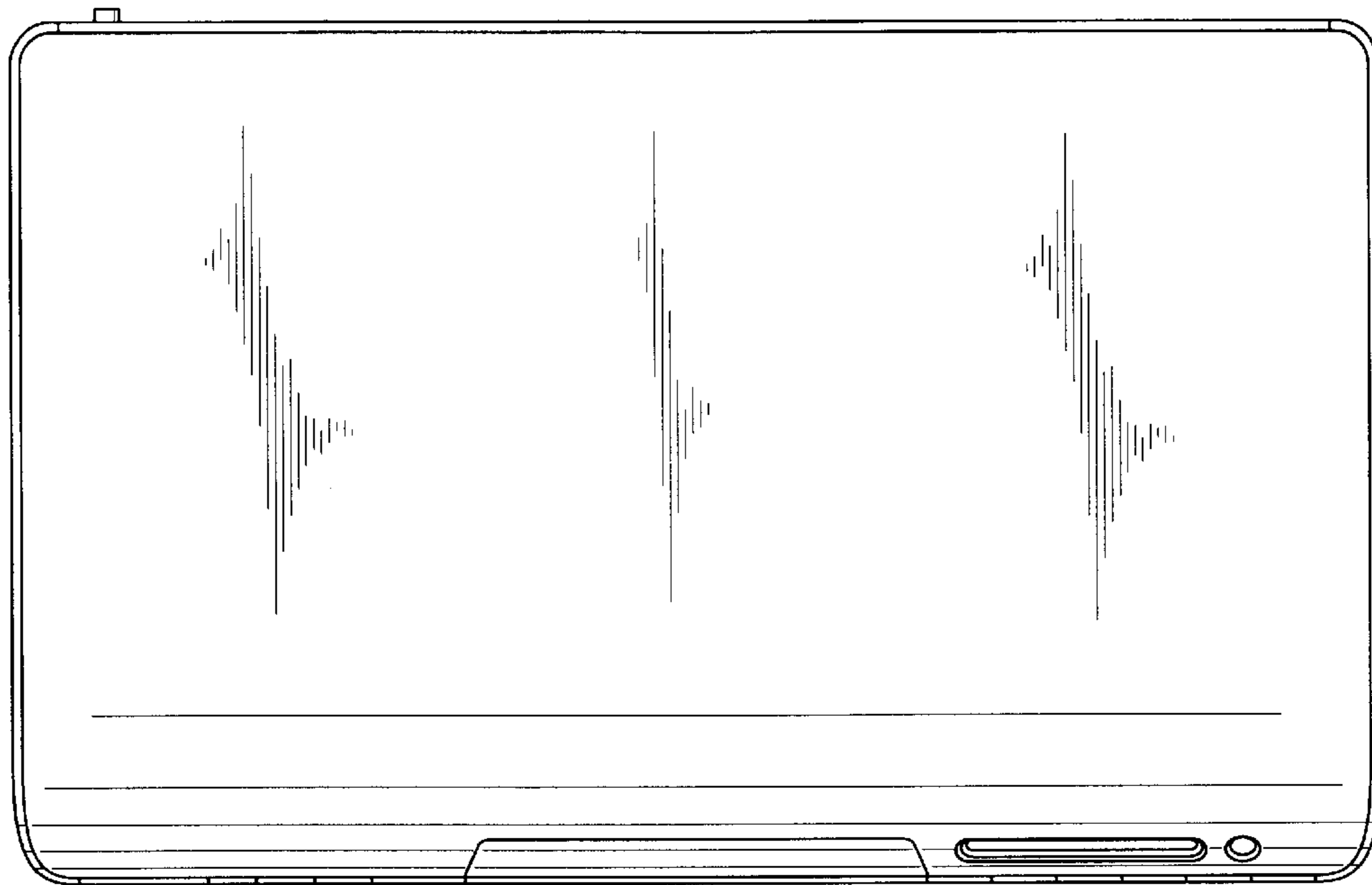


FIG. 7

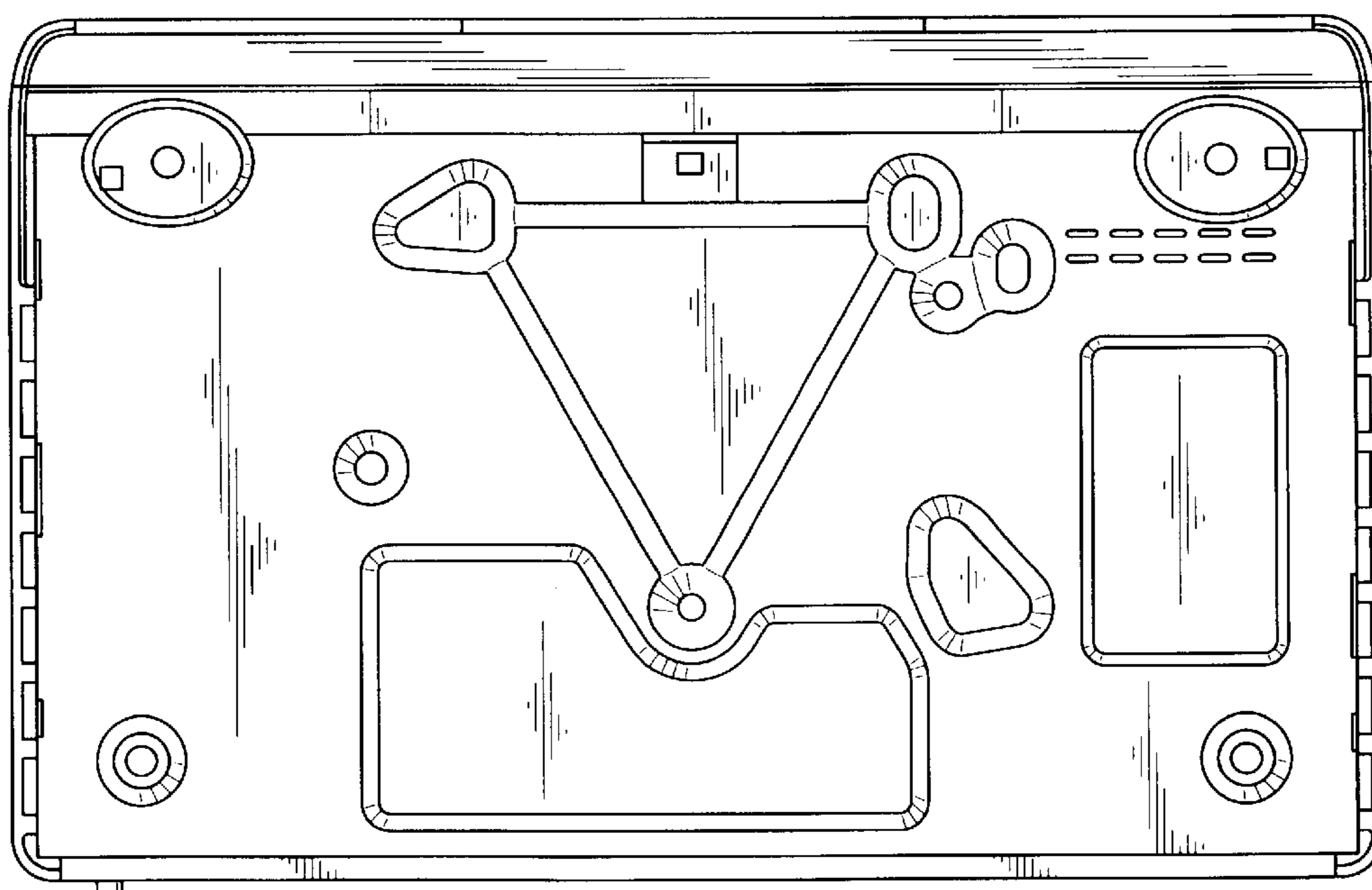
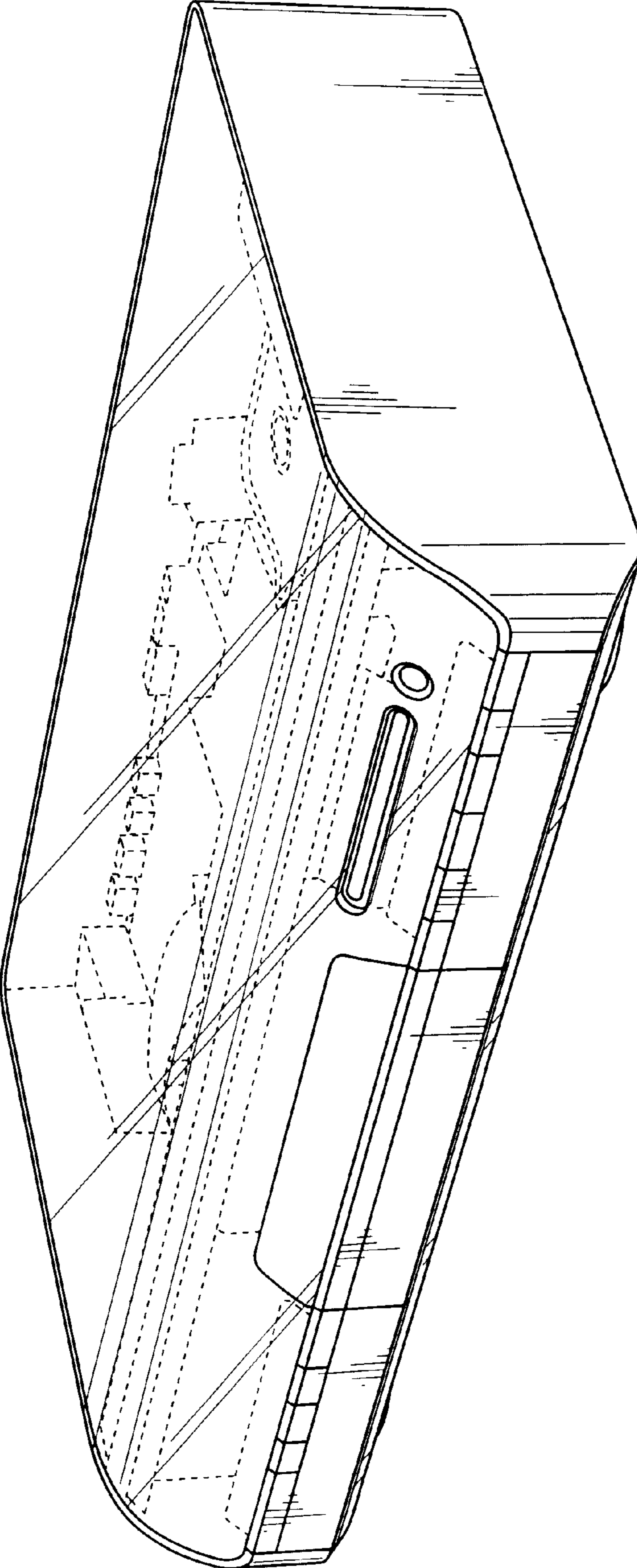
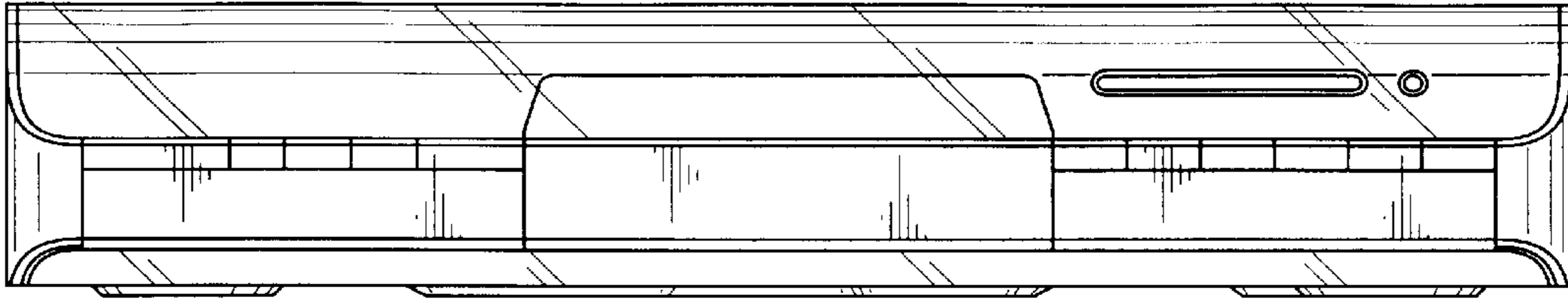




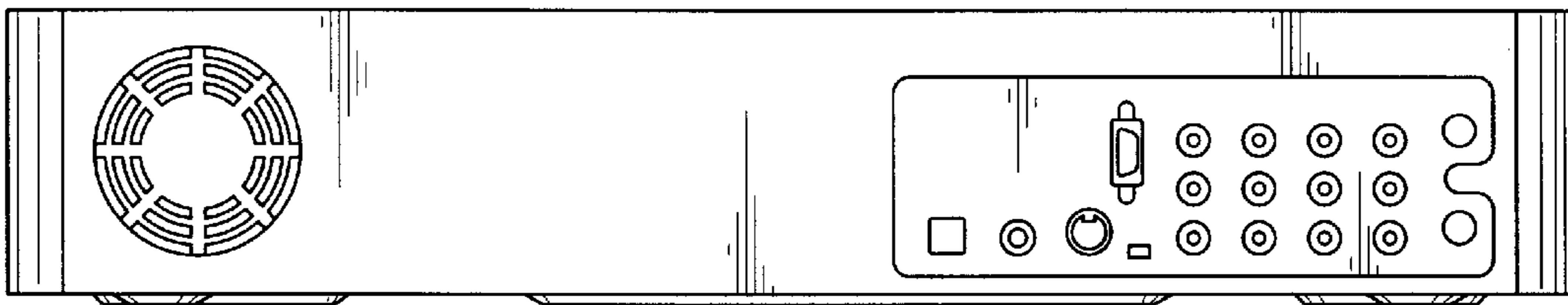
FIG. 8



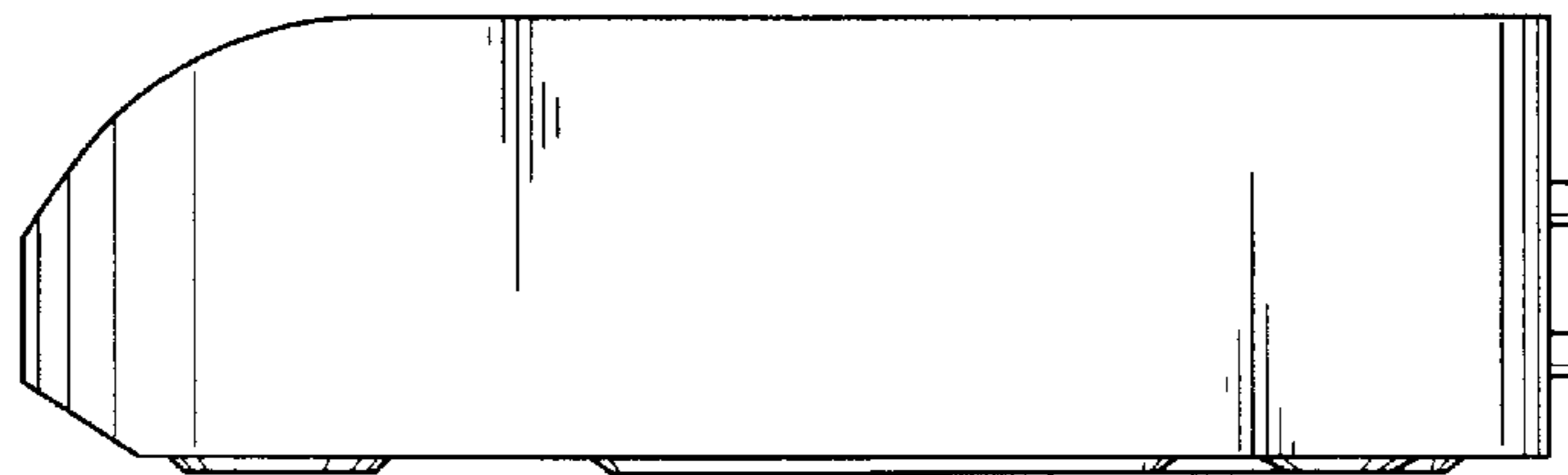
*FIG. 9*



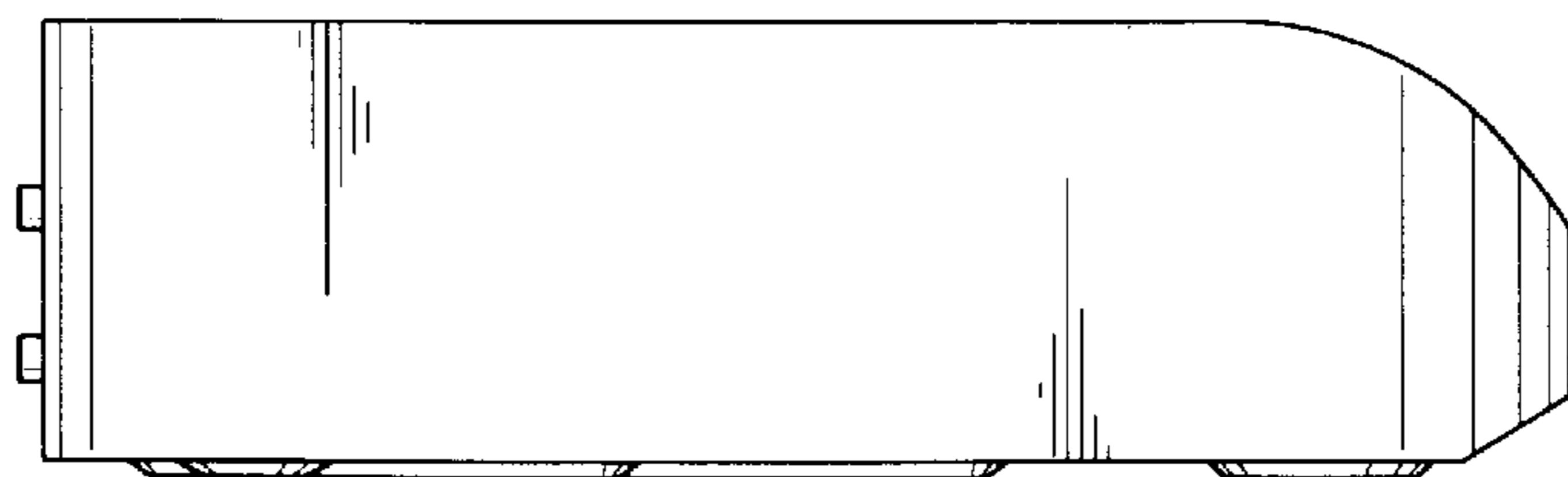
*FIG. 10*



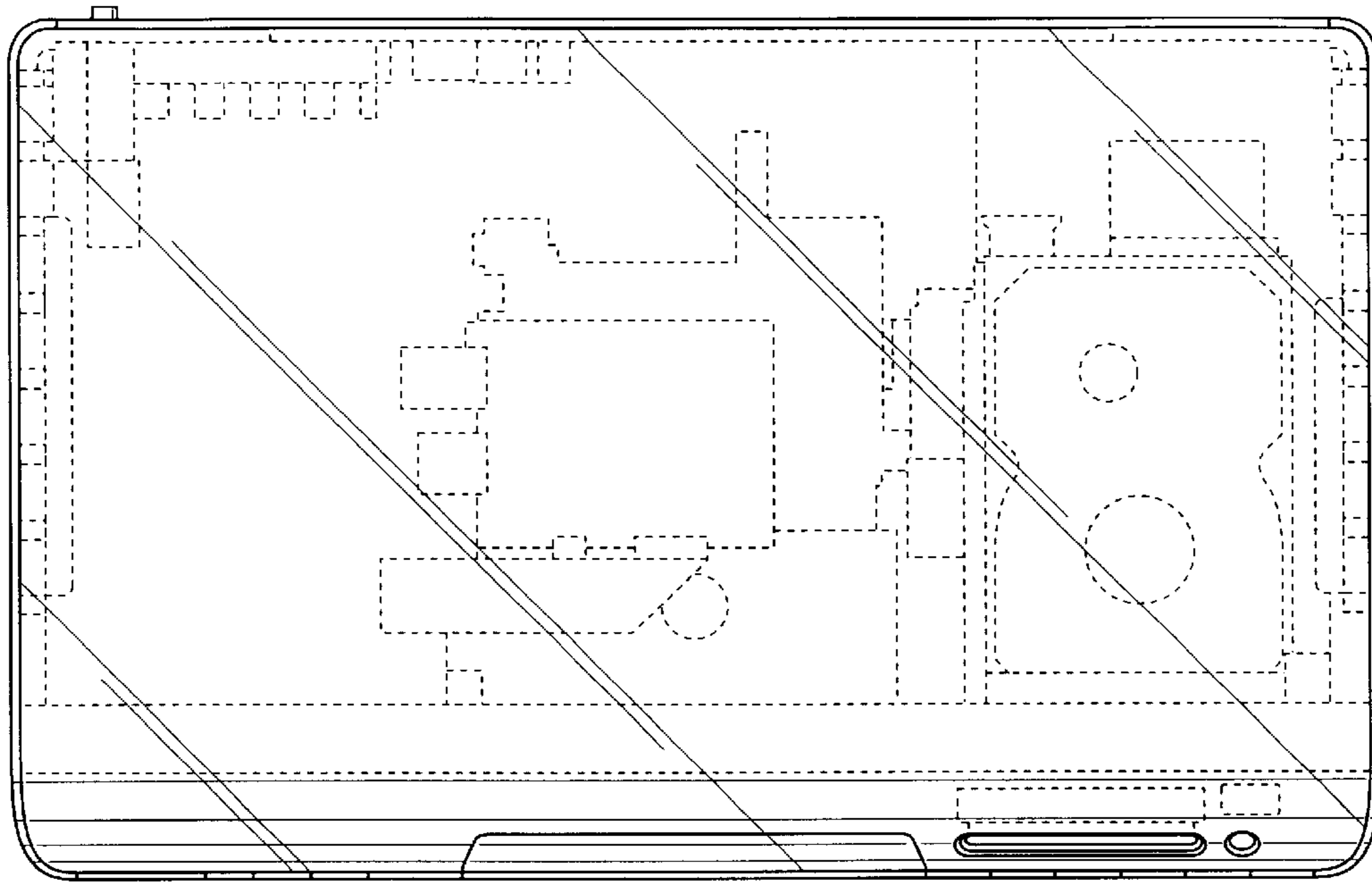
*FIG. 11*



*FIG. 12*



*FIG. 13*



*FIG. 14*

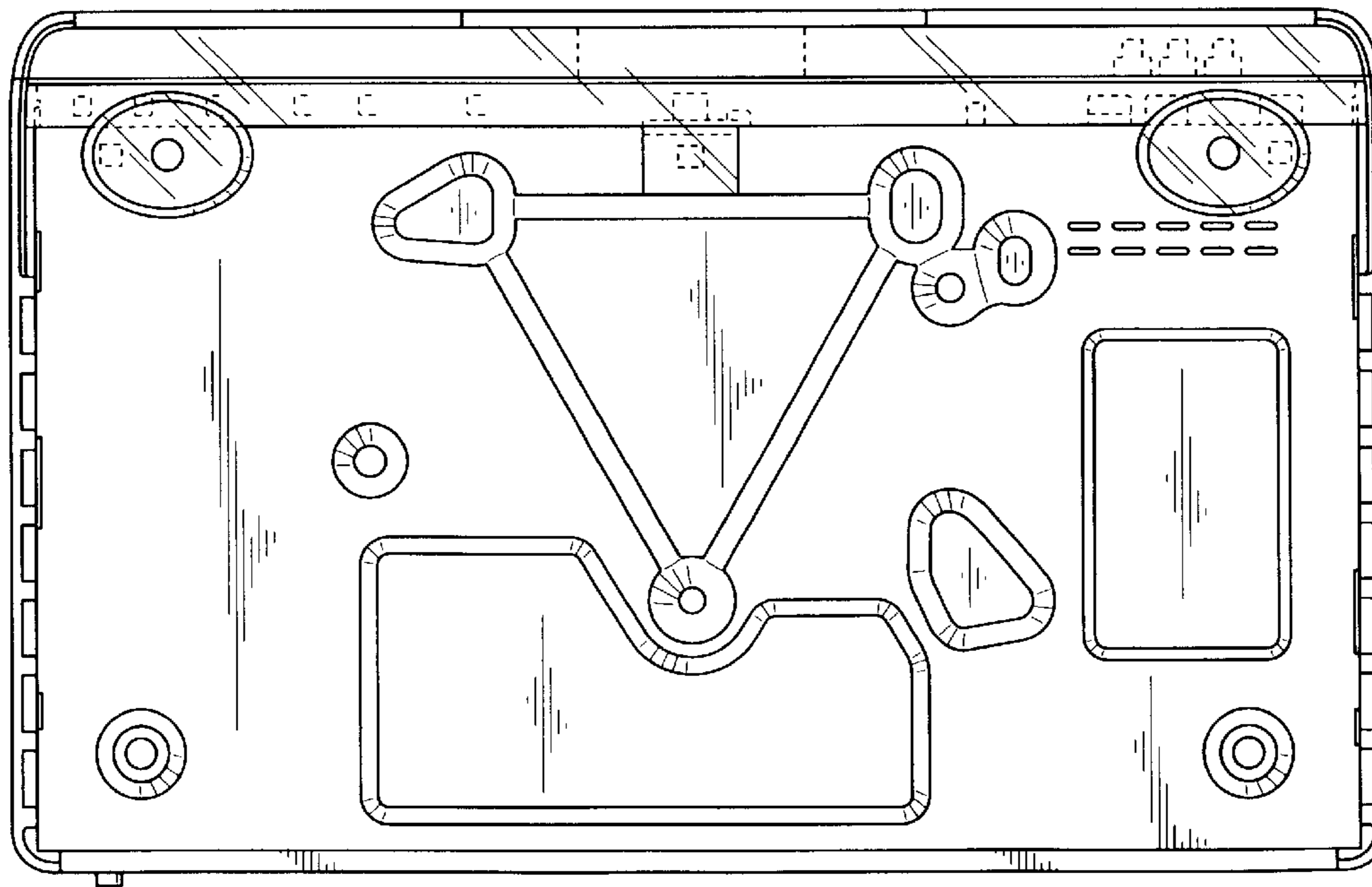
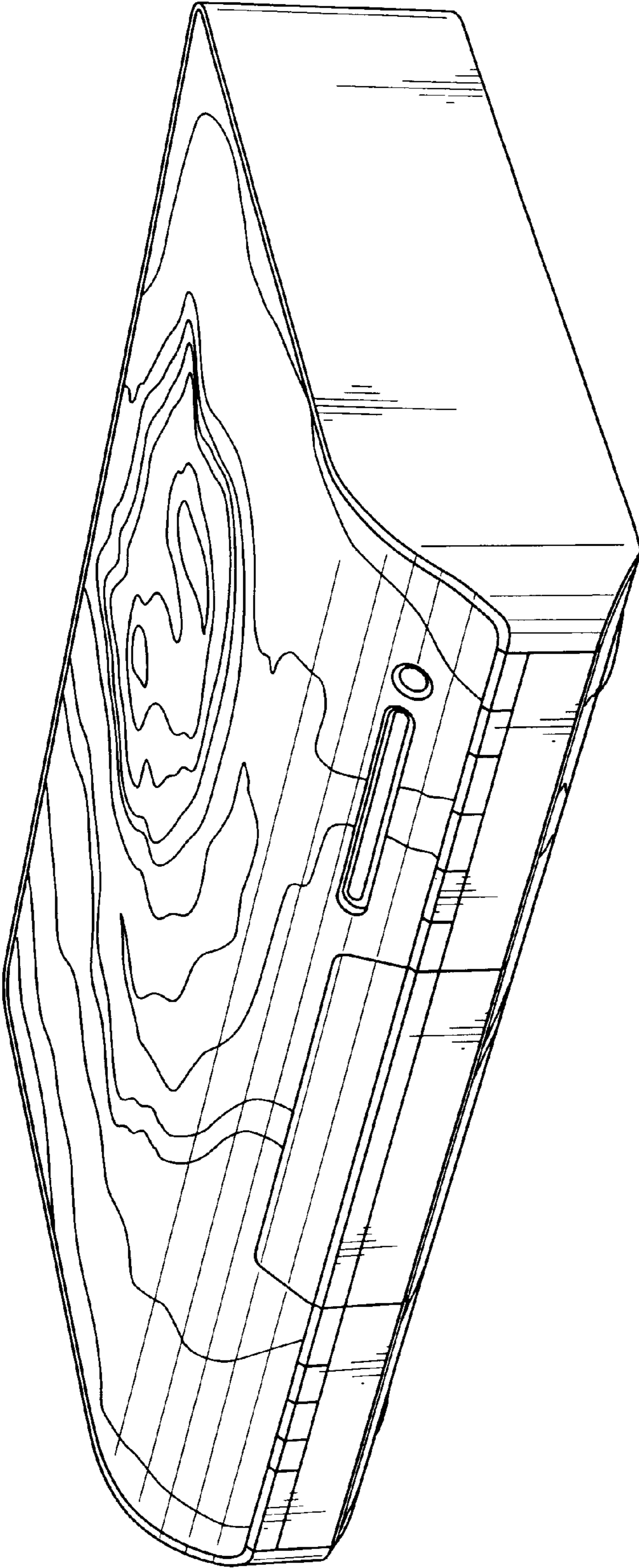
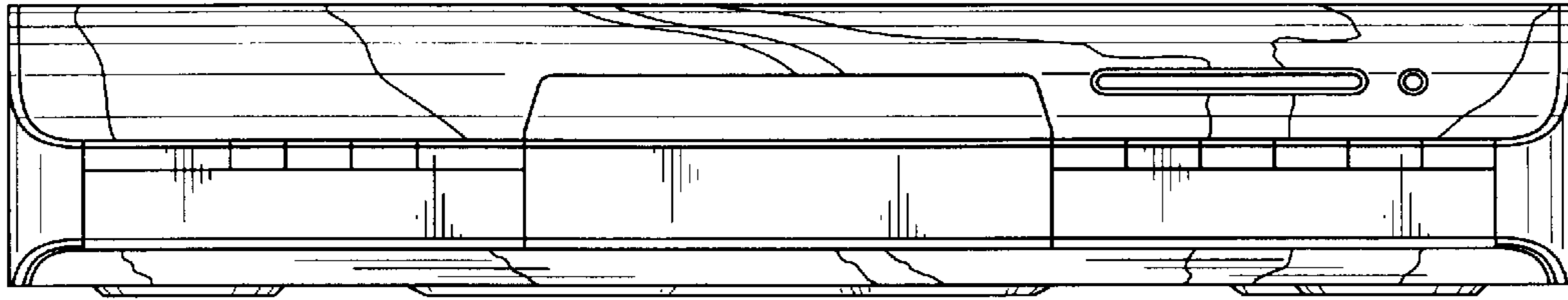


FIG. 15

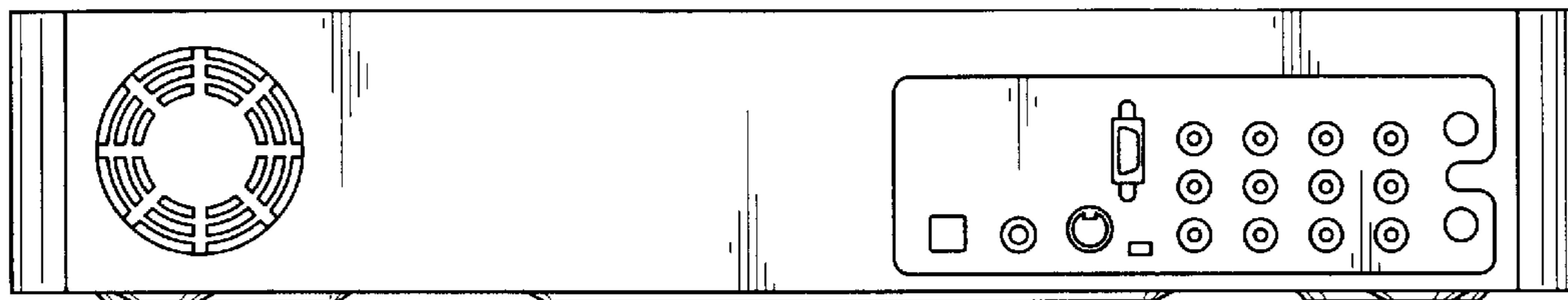




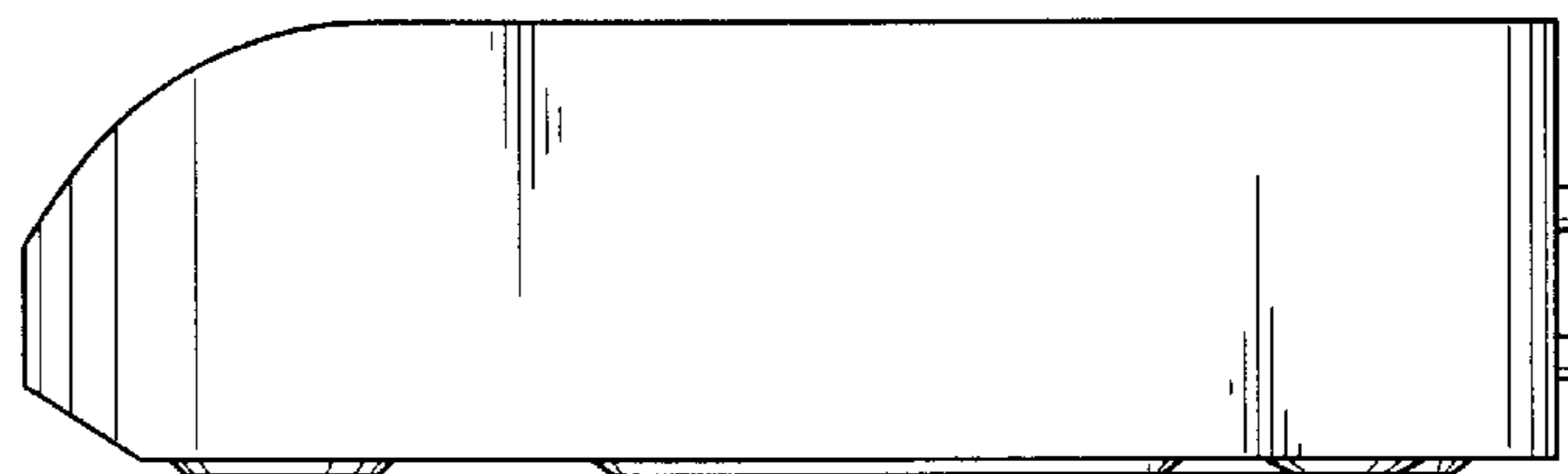
*FIG. 16*



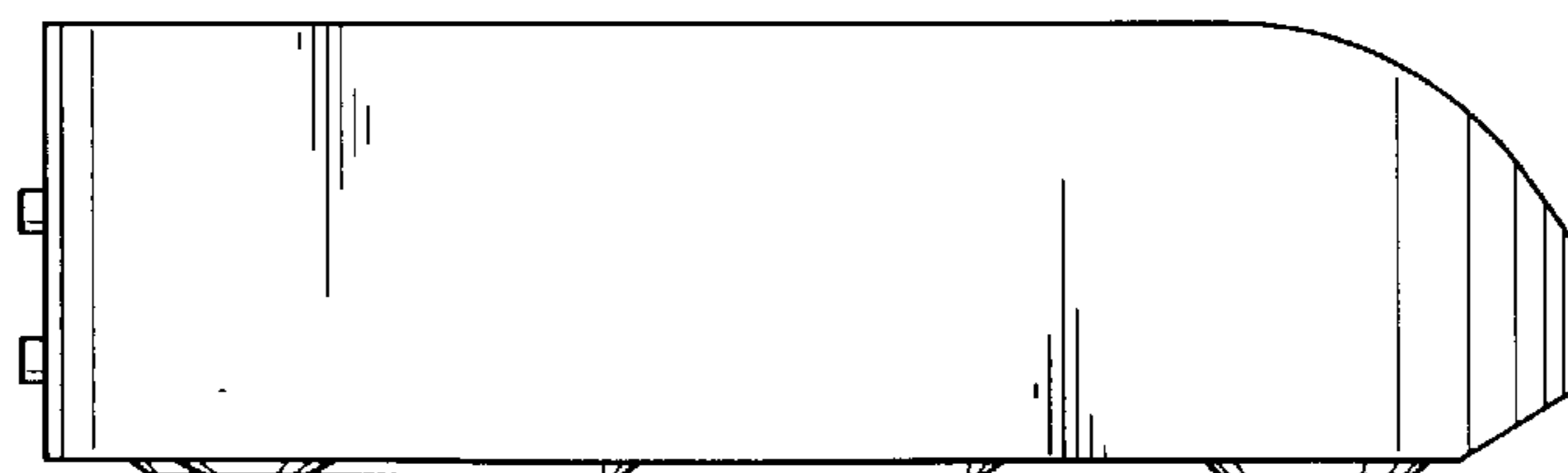
*FIG. 17*



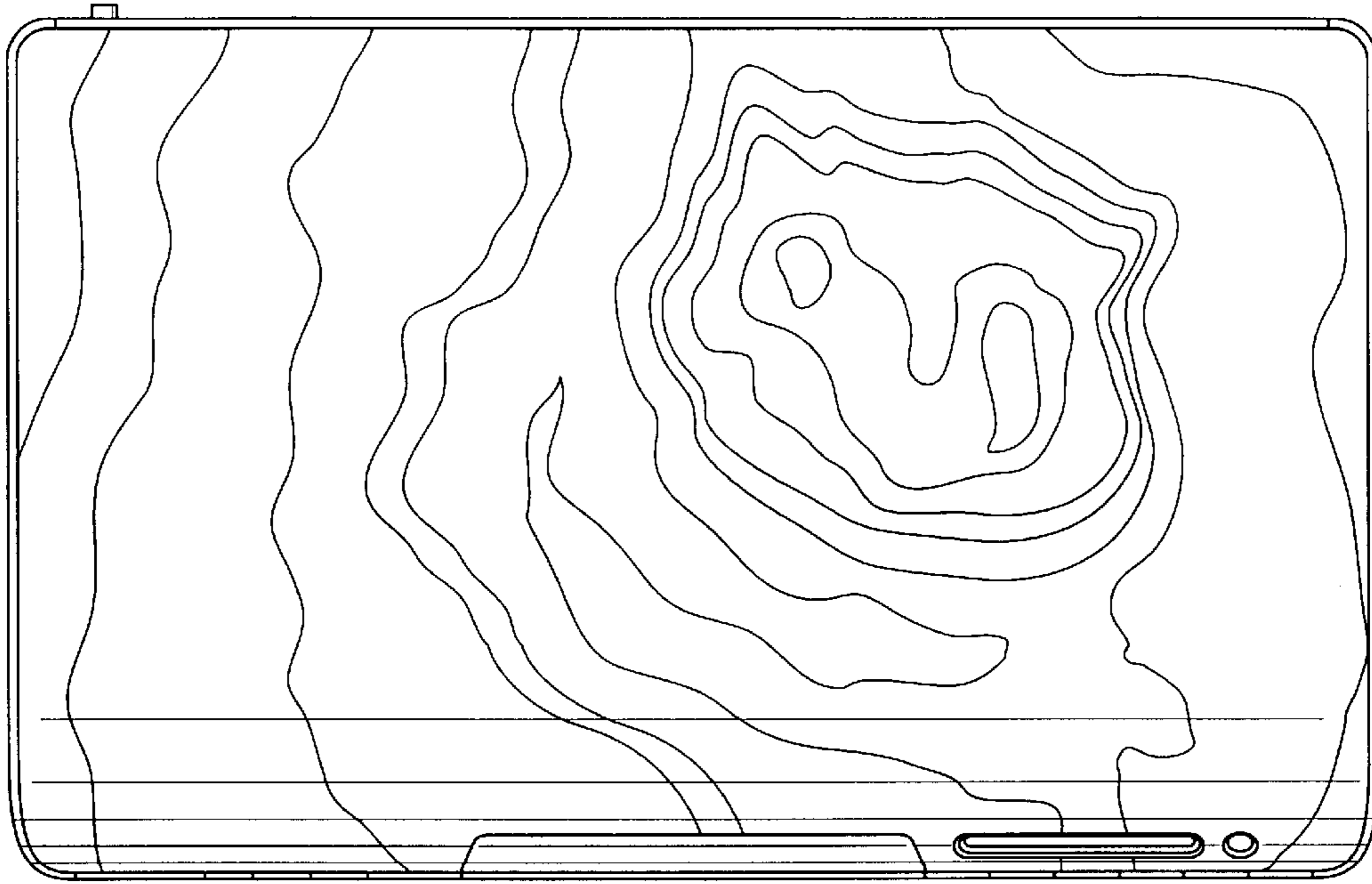
*FIG. 18*



*FIG. 19*



*FIG. 20*



*FIG. 21*

