



US00D515065S

(12) **United States Design Patent**  
**Zeitman**

(10) **Patent No.: US D515,065 S**

(45) **Date of Patent: \*\* Feb. 14, 2006**

(54) **PORTABLE RADIO CASSETTE PLAYER**

(75) Inventor: **Josh Zeitman**, Brooklyn, NY (US)

(73) Assignee: **Lenoxx Electronics Corp.**, Brooklyn, NY (US)

(\*\*) Term: **14 Years**

(21) Appl. No.: **29/197,461**

(22) Filed: **Jan. 16, 2004**

(51) **LOC (8) Cl. .... 14-01**

(52) **U.S. Cl. .... D14/165**

(58) **Field of Classification Search** ..... D14/445,  
D14/260.1, 258, 257, 224, 217, 198, 197,  
D14/196, 195, 194, 193, 192, 188, 168, 167,  
D14/156, 136, 162; D12/415, 420; 455/351,  
455/174, 350, 347; 330/130

See application file for complete search history.

(56) **References Cited**

**U.S. PATENT DOCUMENTS**

D313,597 S	*	1/1991	Takimoto	.....	D14/163
D317,916 S	*	7/1991	Fuke	.....	D14/163
D320,791 S	*	10/1991	Kashiwagi	.....	D14/163
D345,161 S	*	3/1994	Murphy	.....	D14/165
D372,913 S	*	8/1996	Zeitman	.....	D14/163
D383,459 S	*	9/1997	Zeitman	.....	D14/163
D383,460 S	*	9/1997	Zeitman	.....	D14/163
D385,560 S	*	10/1997	Kokkinis	.....	D14/162
D392,288 S	*	3/1998	Kobayashi	.....	D14/162
D408,413 S	*	4/1999	Rijkheer	.....	D14/196
D428,873 S	*	8/2000	Hutchinson et al.	.....	D14/194
D457,880 S	*	5/2002	Suzuki et al.	.....	D14/257

D477,299 S	*	7/2003	Kobayashi	.....	D14/168
D477,818 S	*	7/2003	Zeitman	.....	D14/163
D477,819 S	*	7/2003	Zeitman	.....	D14/168
D480,378 S	*	10/2003	Zeitman	.....	D14/168
D499,082 S	*	11/2004	Tanaka	.....	D14/168
D499,094 S	*	11/2004	Wong et al.	.....	D14/257

**OTHER PUBLICATIONS**

Portable Cassette Player [http://www.amazon.com/exec/obidos/tg/detail/-/B000061560/ref=ase\\_ebookcrossroa-20/102-3182295-9414536?v=glance&s=electronics](http://www.amazon.com/exec/obidos/tg/detail/-/B000061560/ref=ase_ebookcrossroa-20/102-3182295-9414536?v=glance&s=electronics) Jan. 19, 2005.\*

\* cited by examiner

*Primary Examiner*—Cathron C. Brooks

*Assistant Examiner*—Austin Murphy

(74) *Attorney, Agent, or Firm*—Burns Doane Swecker & Mathis

(57) **CLAIM**

The ornamental design for a “portable radio cassette player”, as shown and described.

**DESCRIPTION**

FIG. 1 is a front view of a “portable radio cassette player” showing my design;

FIG. 2 is a rear view thereof, with the handle in a raised position;

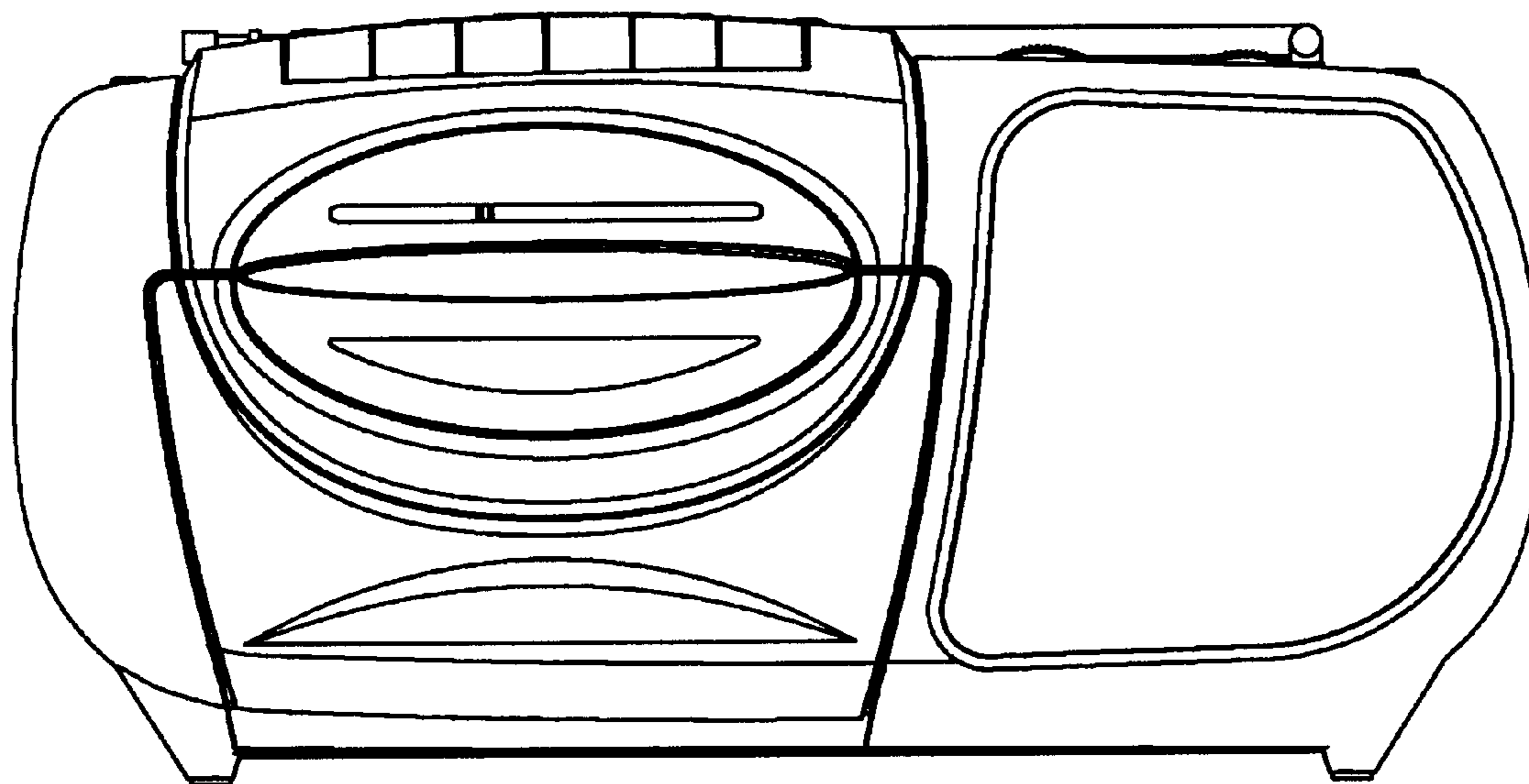
FIG. 3 is a right side view thereof;

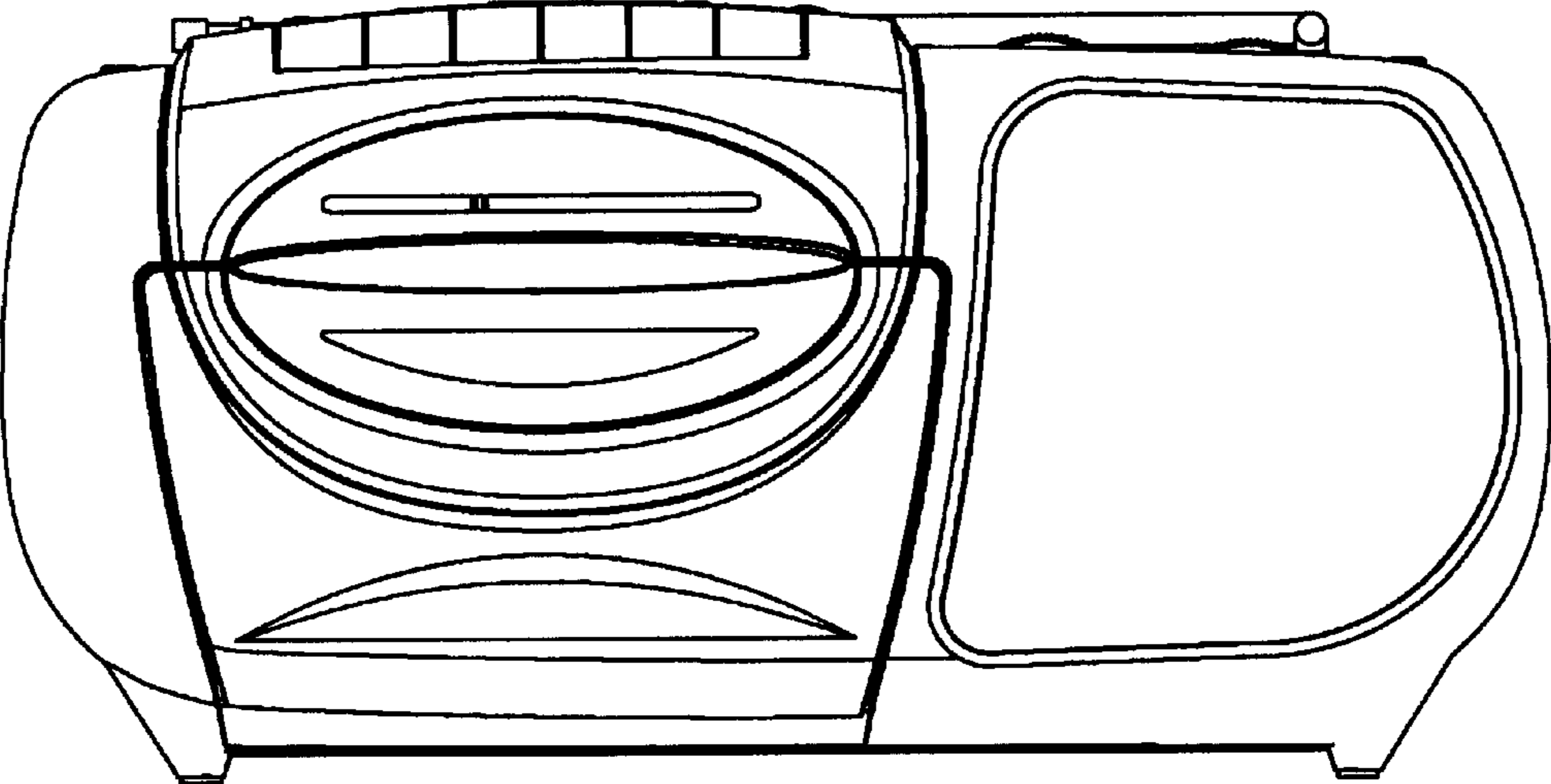
FIG. 4 is a left side view thereof;

FIG. 5 is a top plan view thereof; and,

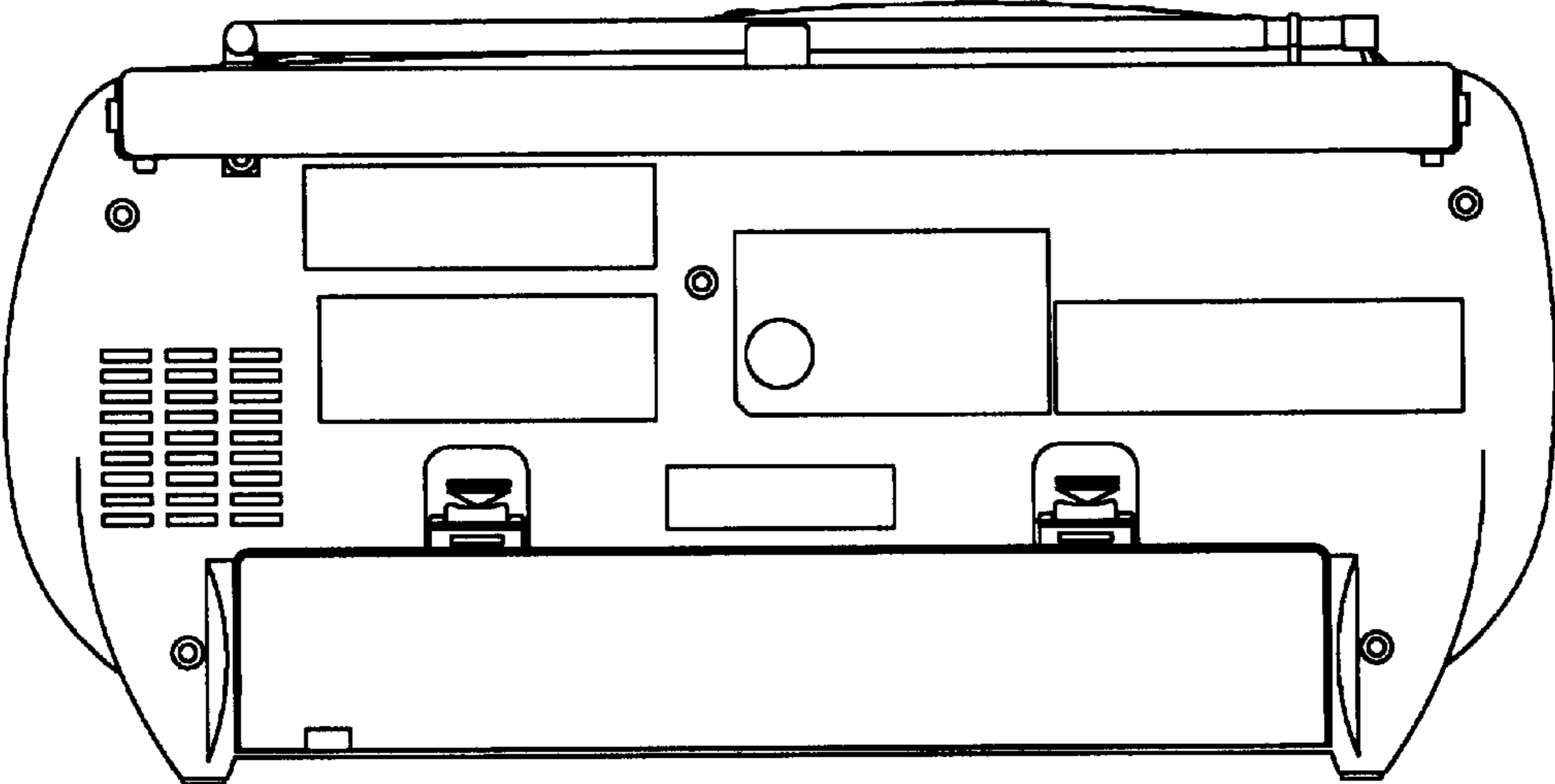
FIG. 6 is a bottom view thereof.

**1 Claim, 2 Drawing Sheets**

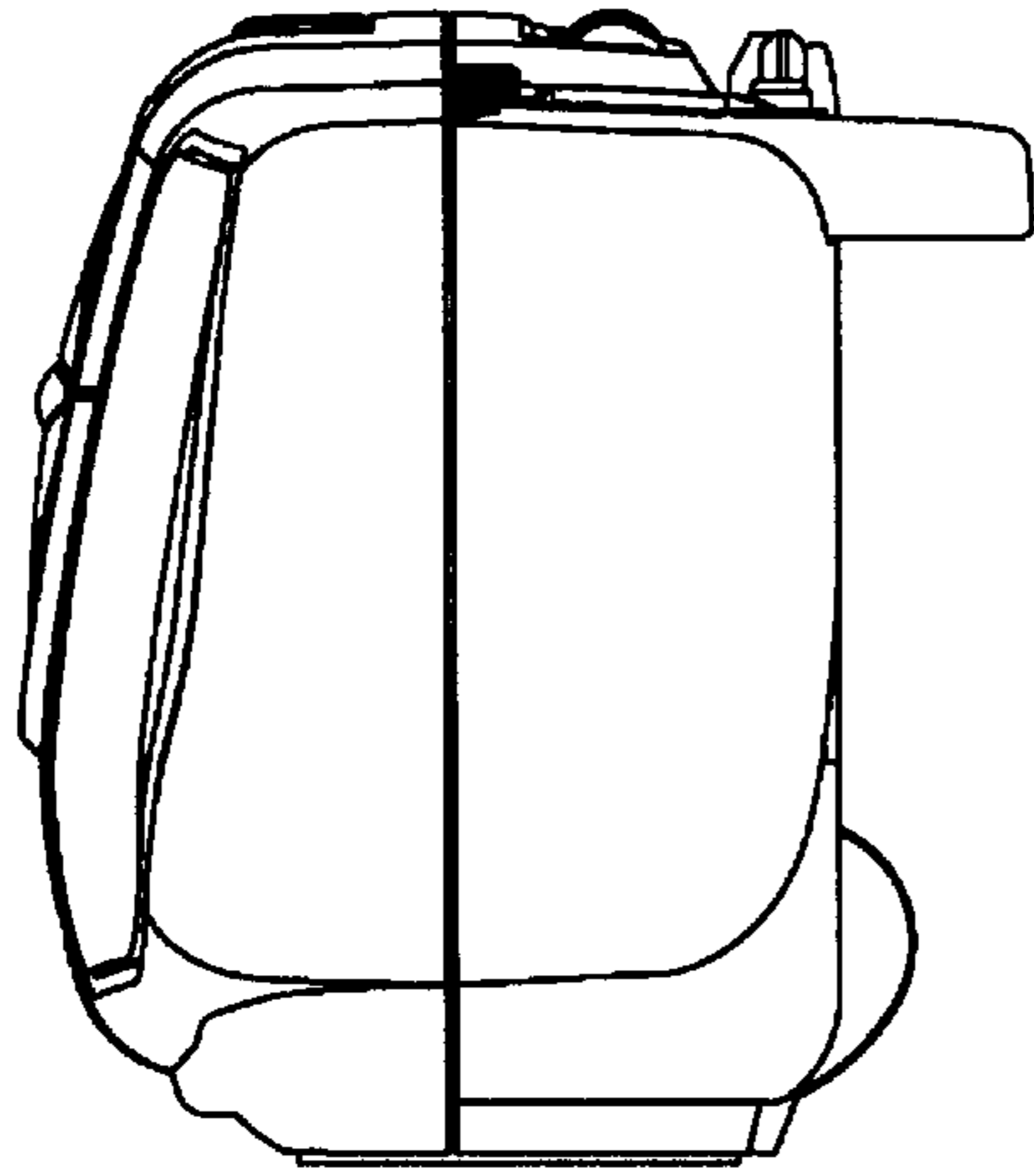




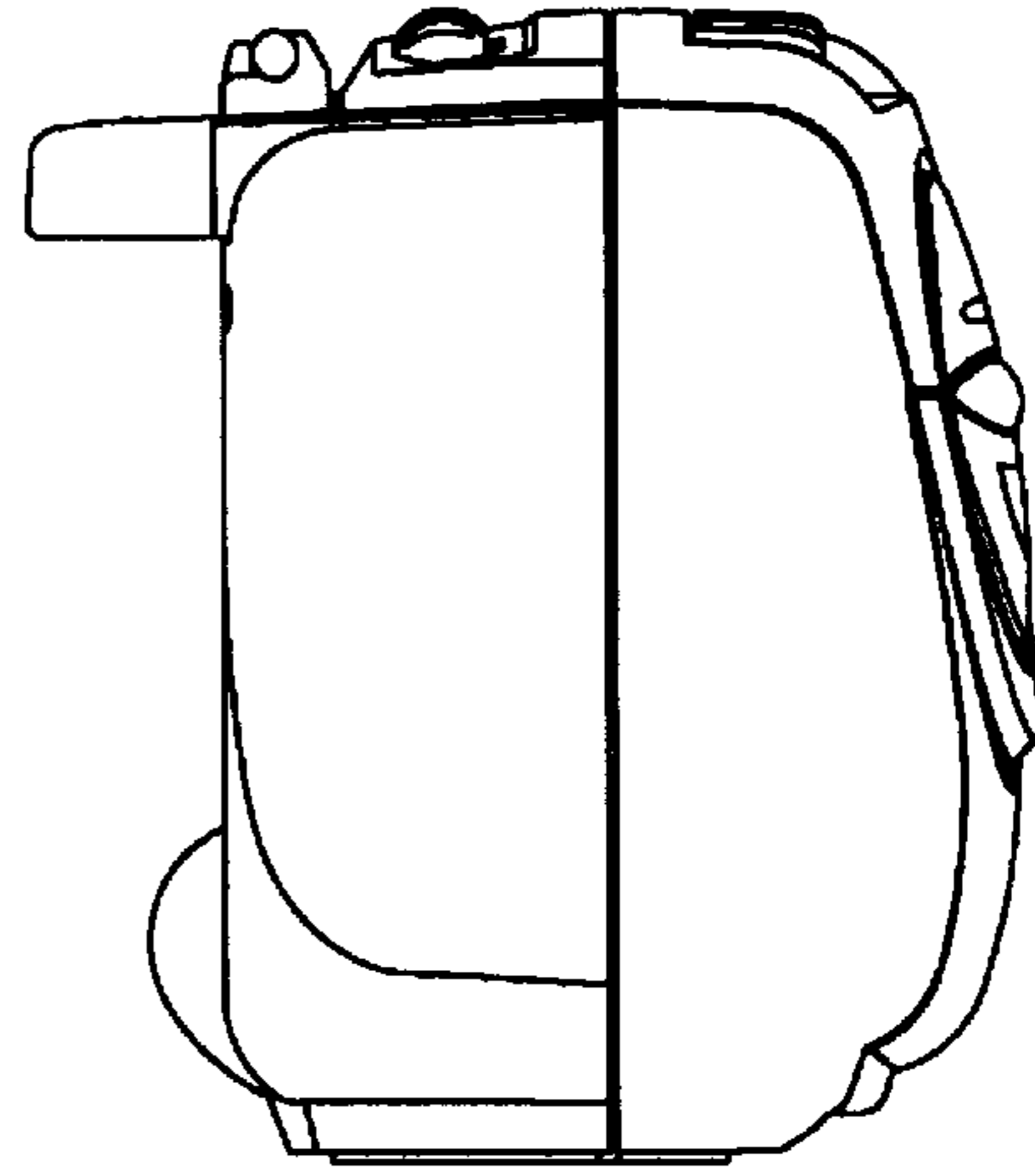
*Fig. 1*



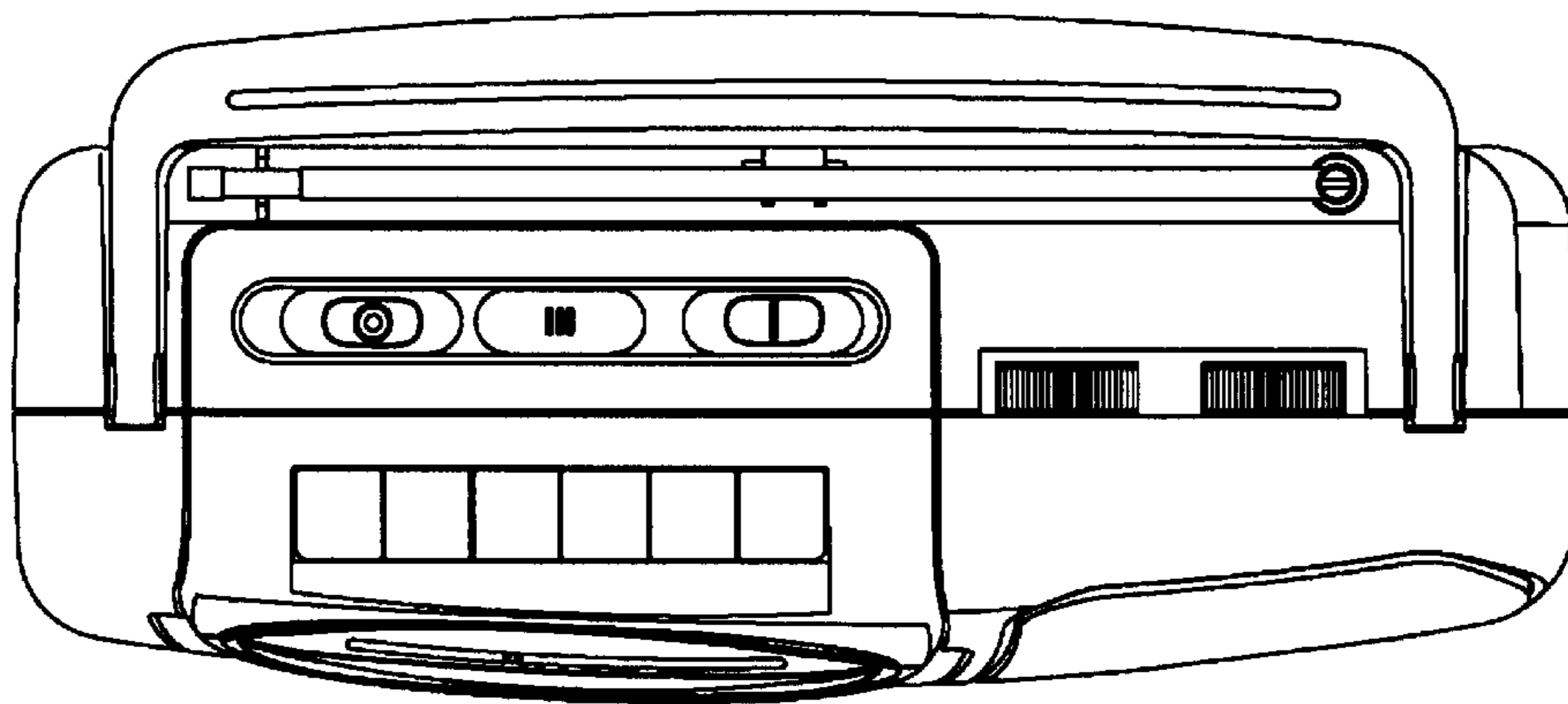
*Fig. 2*



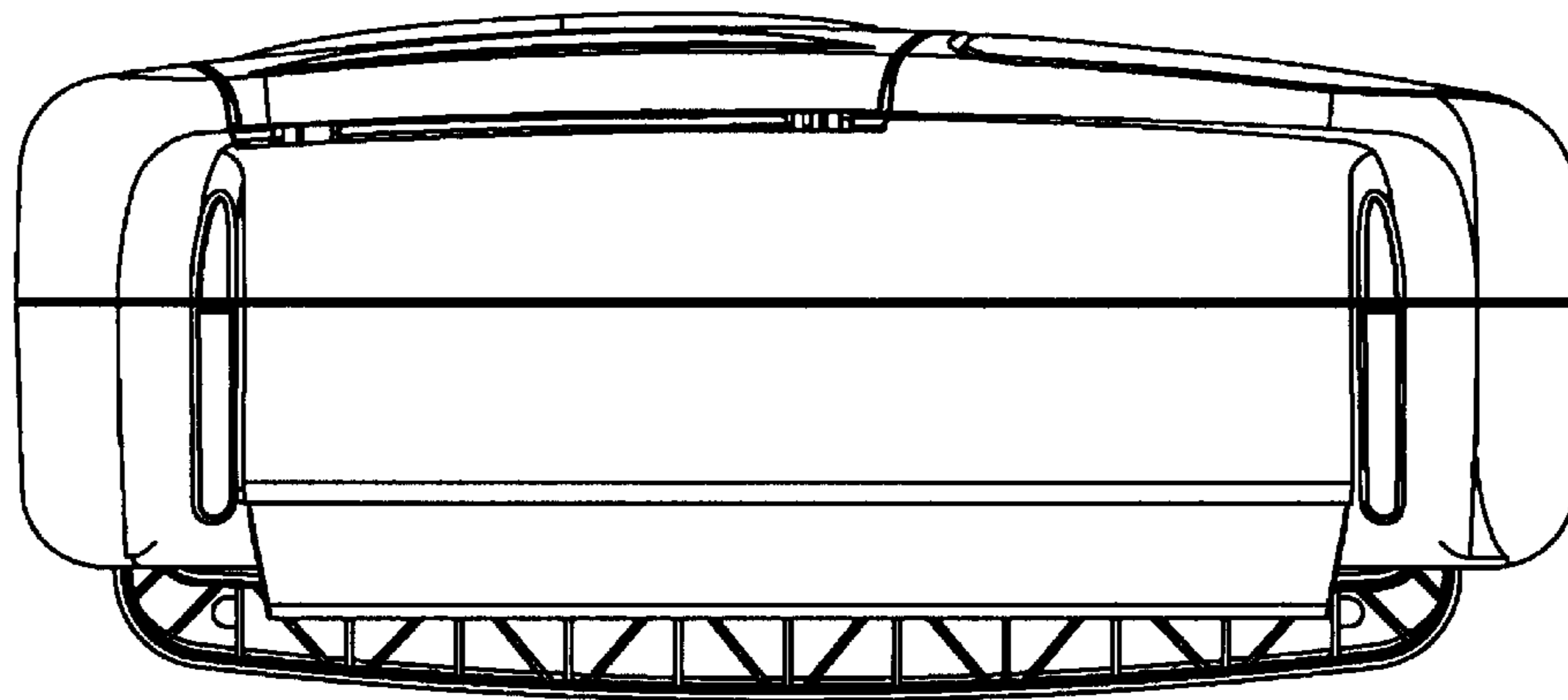
*Fig. 3*



*Fig. 4*



*Fig. 5*



*Fig. 6*