



US00D515064S

(12) **United States Design Patent**
Seshita

(10) **Patent No.:** **US D515,064 S**

(45) **Date of Patent:** **** Feb. 14, 2006**

(54) **VEHICLE DIGITAL DISC PLAYER**

(75) Inventor: **Satoshi Seshita**, Tokyo (JP)

(73) Assignee: **Clarion Co., Ltd.**, Tokyo (JP)

(**) Term: **14 Years**

(21) Appl. No.: **29/192,239**

(22) Filed: **Oct. 21, 2003**

(51) **LOC (8) Cl.** **14-01**

(52) **U.S. Cl.** **D14/157; D14/132**

(58) **Field of Classification Search** D14/132,
D14/135-136, 156-157, 167-168, 192-198,
D14/217, 257-258; 455/347-351; 369/75.1,
369/75.2, 77.1, 77.2

See application file for complete search history.

(56) **References Cited**

U.S. PATENT DOCUMENTS

D307,909 S	*	5/1990	Dobies et al.	D14/258
4,979,160 A	*	12/1990	Araki	369/75.2
D314,198 S	*	1/1991	Ito et al.	D14/156
D330,204 S	*	10/1992	Tokiyama	D14/258
D339,126 S	*	9/1993	Shimose et al.	D14/135
D391,251 S	*	2/1998	Yuyama et al.	D14/132
5,862,468 A	*	1/1999	Kim	455/349
D454,122 S	*	3/2002	Hori et al.	D14/132

* cited by examiner

Primary Examiner—Nanda Bondade

(74) *Attorney, Agent, or Firm*—Chapman and Cutler LLP

(57) **CLAIM**

The ornamental design for the vehicle digital disc player, as shown and described.

DESCRIPTION

FIG. 1 is a front elevational view of a vehicle digital disc player having the screen in a stowed position.

FIG. 2 is a left side elevational view thereof having the screen in stowed position;

FIG. 3 is a right side elevational view thereof having the screen in stowed position;

FIG. 4 is a top plan view thereof having the screen in stowed position;

FIG. 5 is a bottom plan view thereof having the screen in stowed position;

FIG. 6 is a sectional view thereof at 6—6, showing the screen in stowed position;

FIG. 7 is a perspective view thereof having the screen in stowed position;

FIG. 8 is a front elevational view thereof having the screen in upright position; and,

FIG. 9 is a right side elevational view thereof having the screen in upright position.

The rear of the device is flat and includes no ornamentation. The broken lines in the drawings are for illustrative purposes only and form no part of the claimed design.

1 Claim, 4 Drawing Sheets

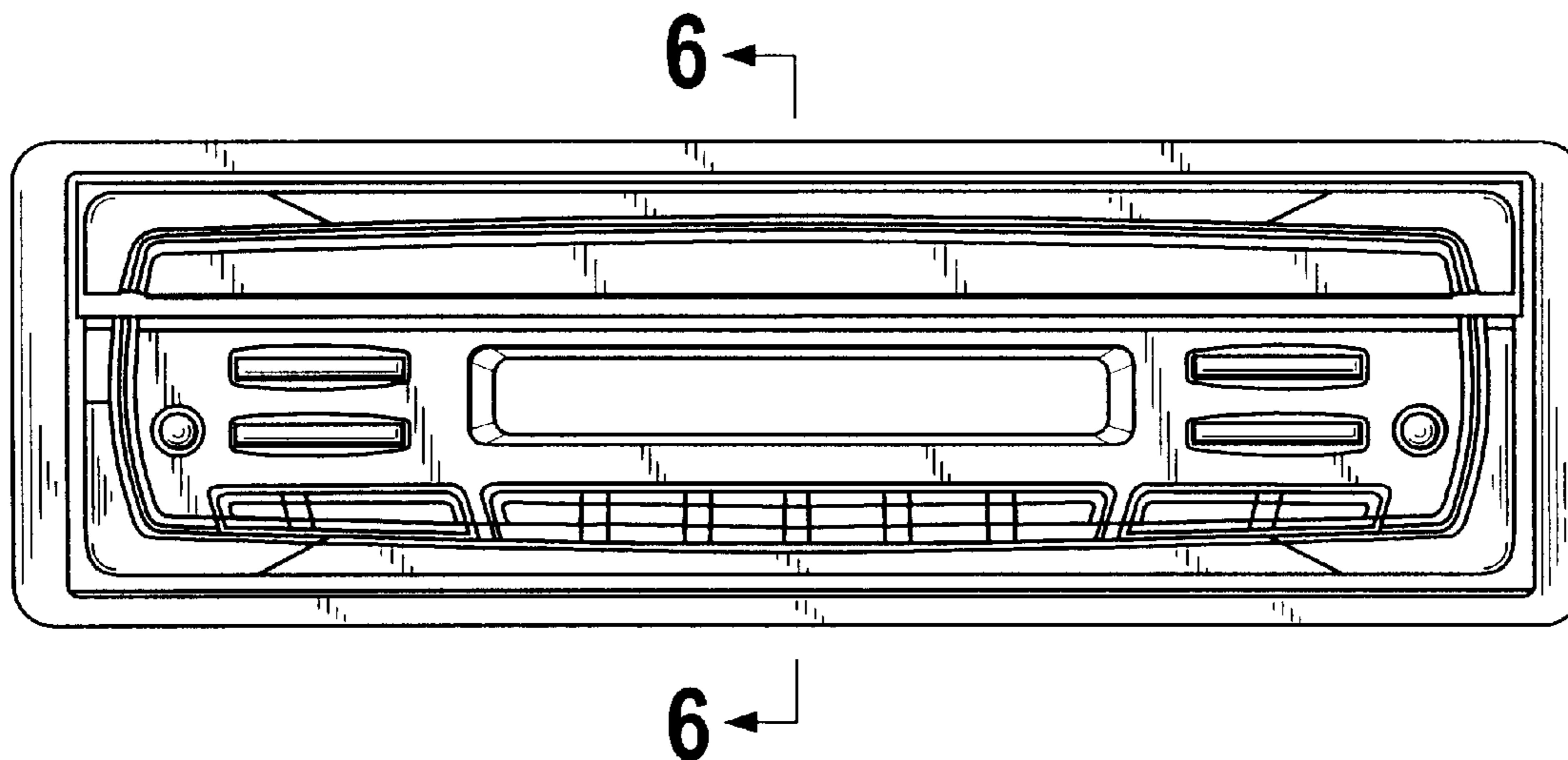


Fig. 1

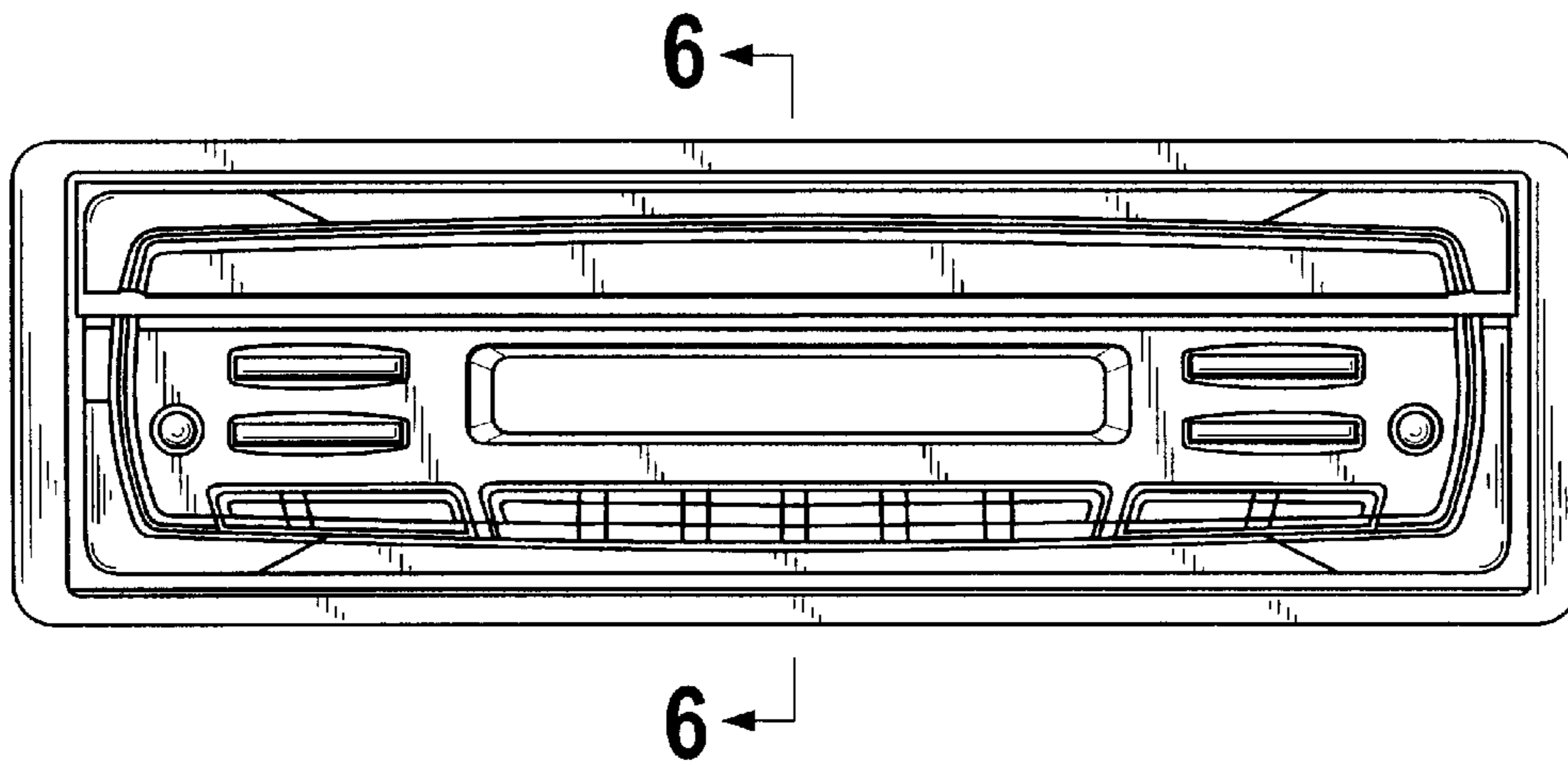


Fig. 2

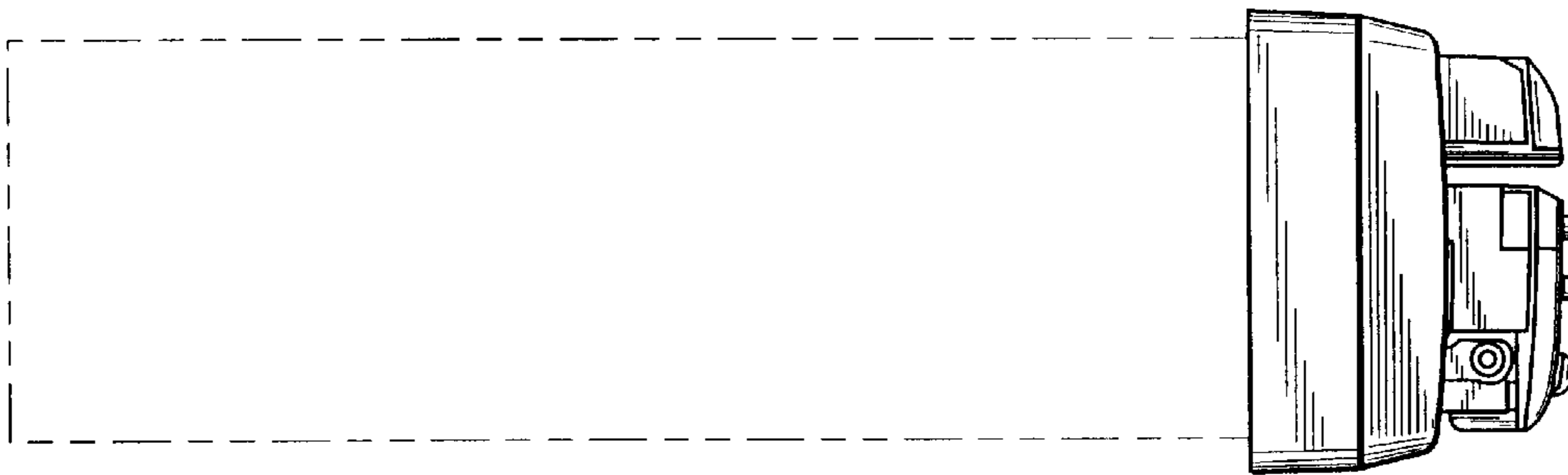


Fig. 3



Fig. 4

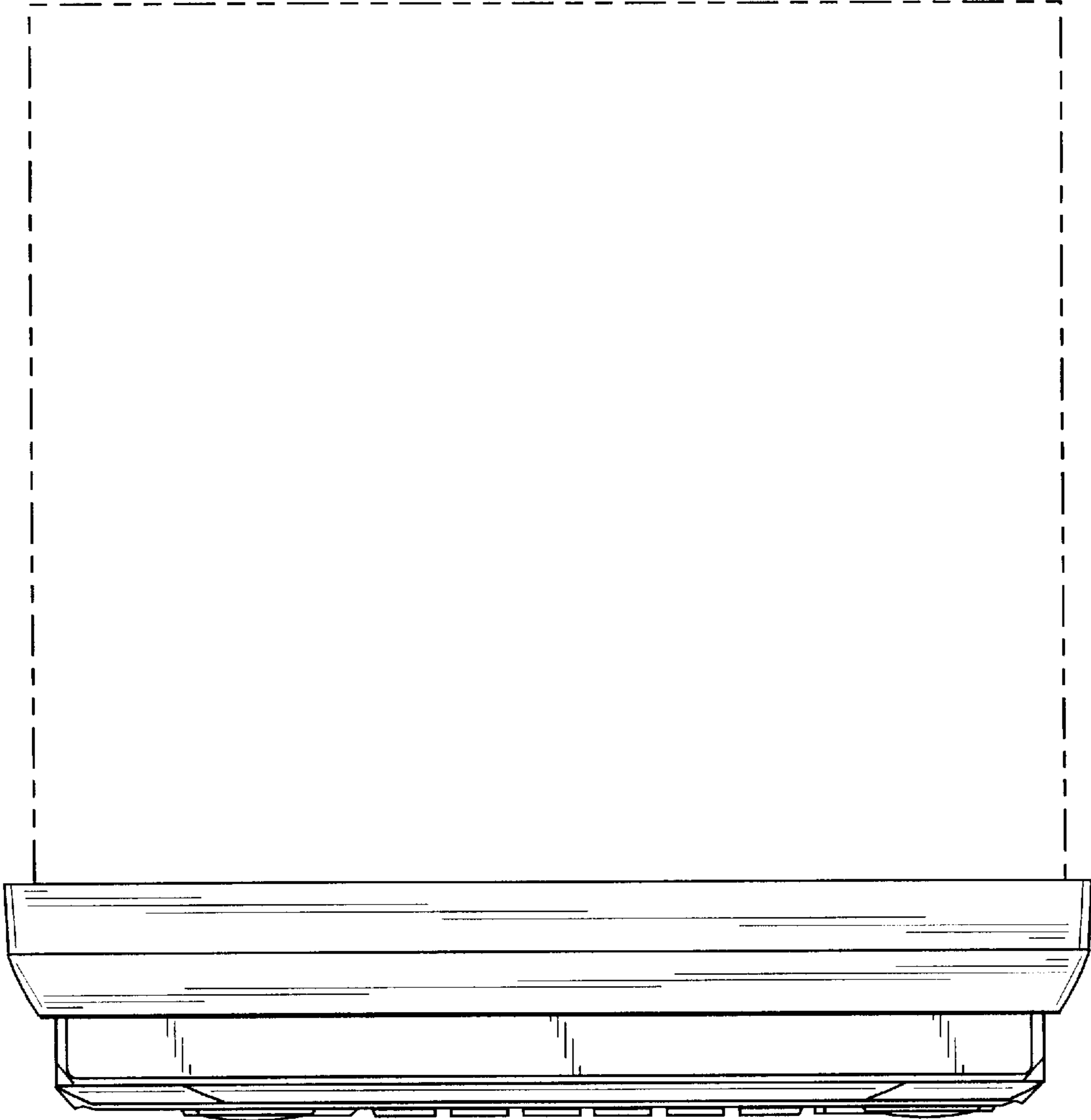


Fig. 5

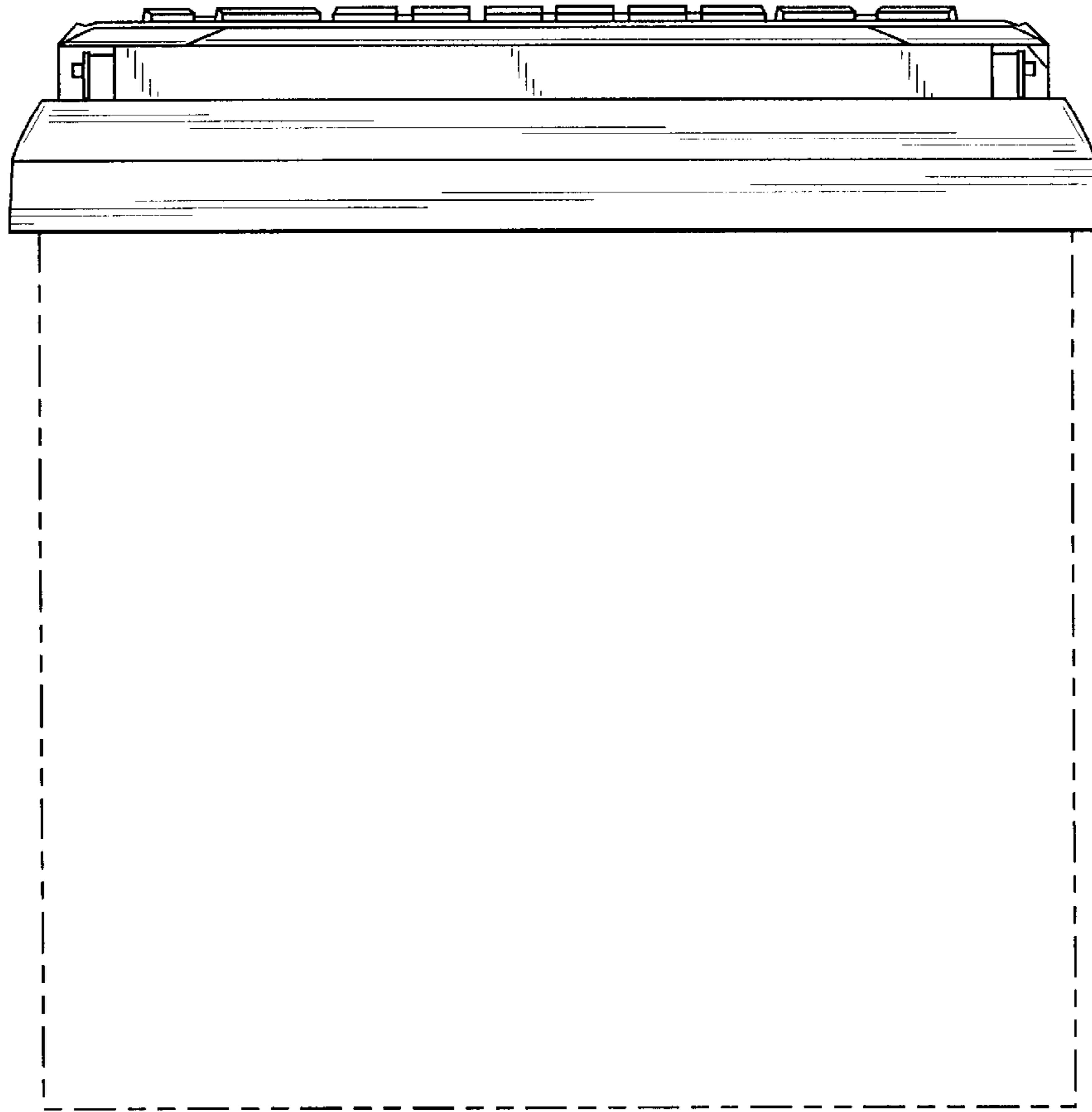


Fig. 6

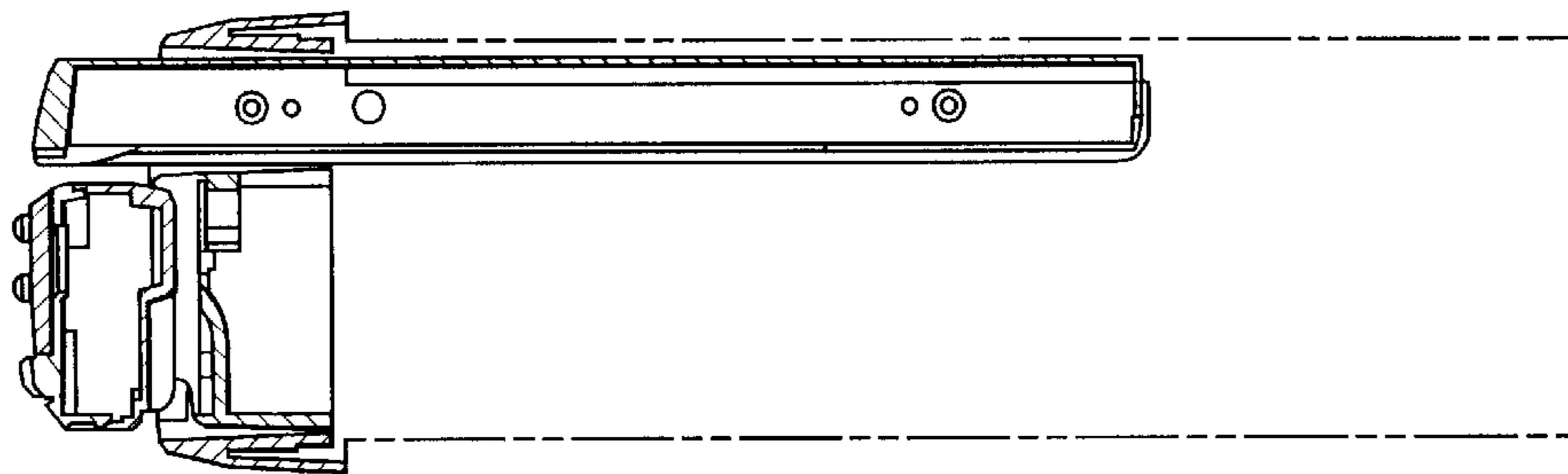


Fig. 7

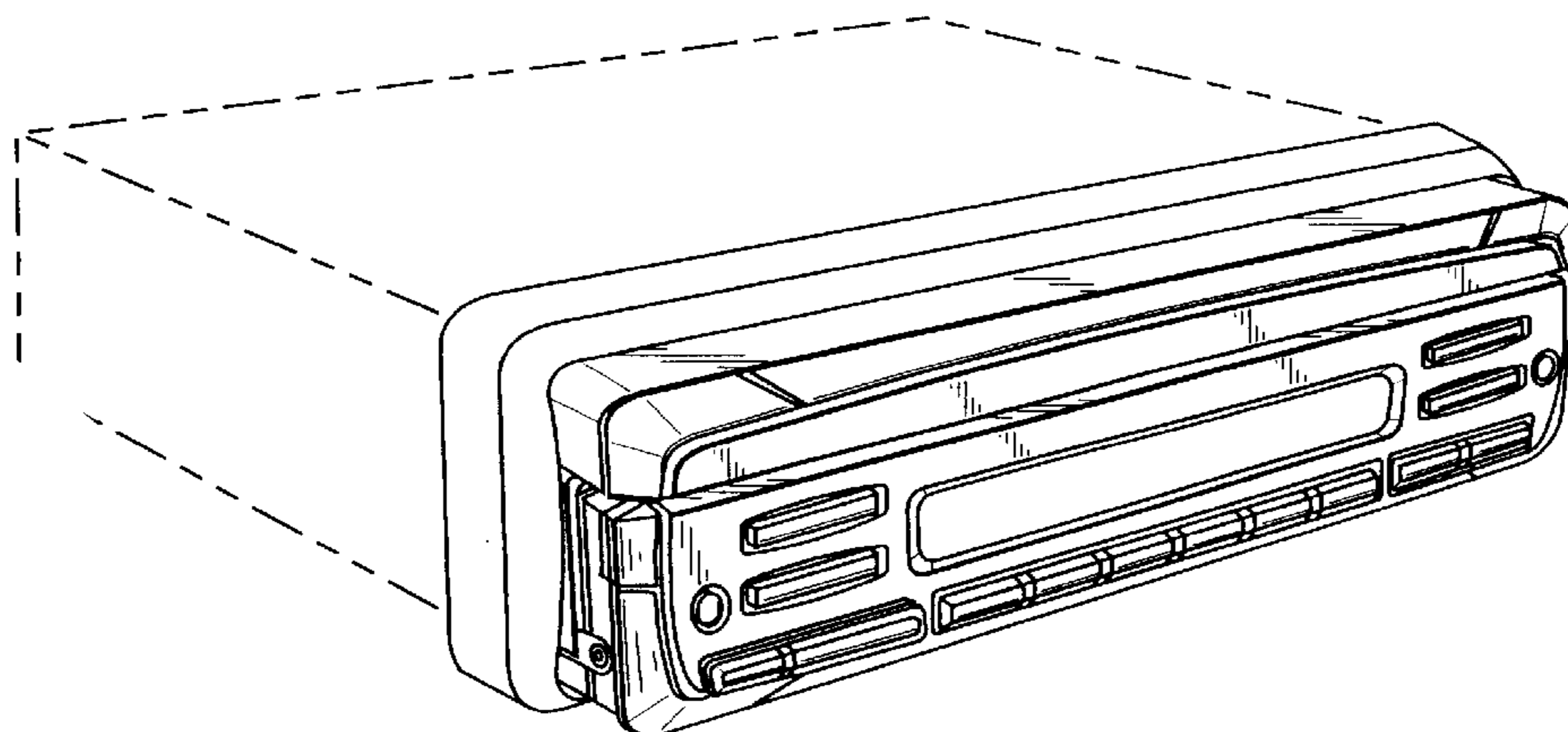


Fig. 8

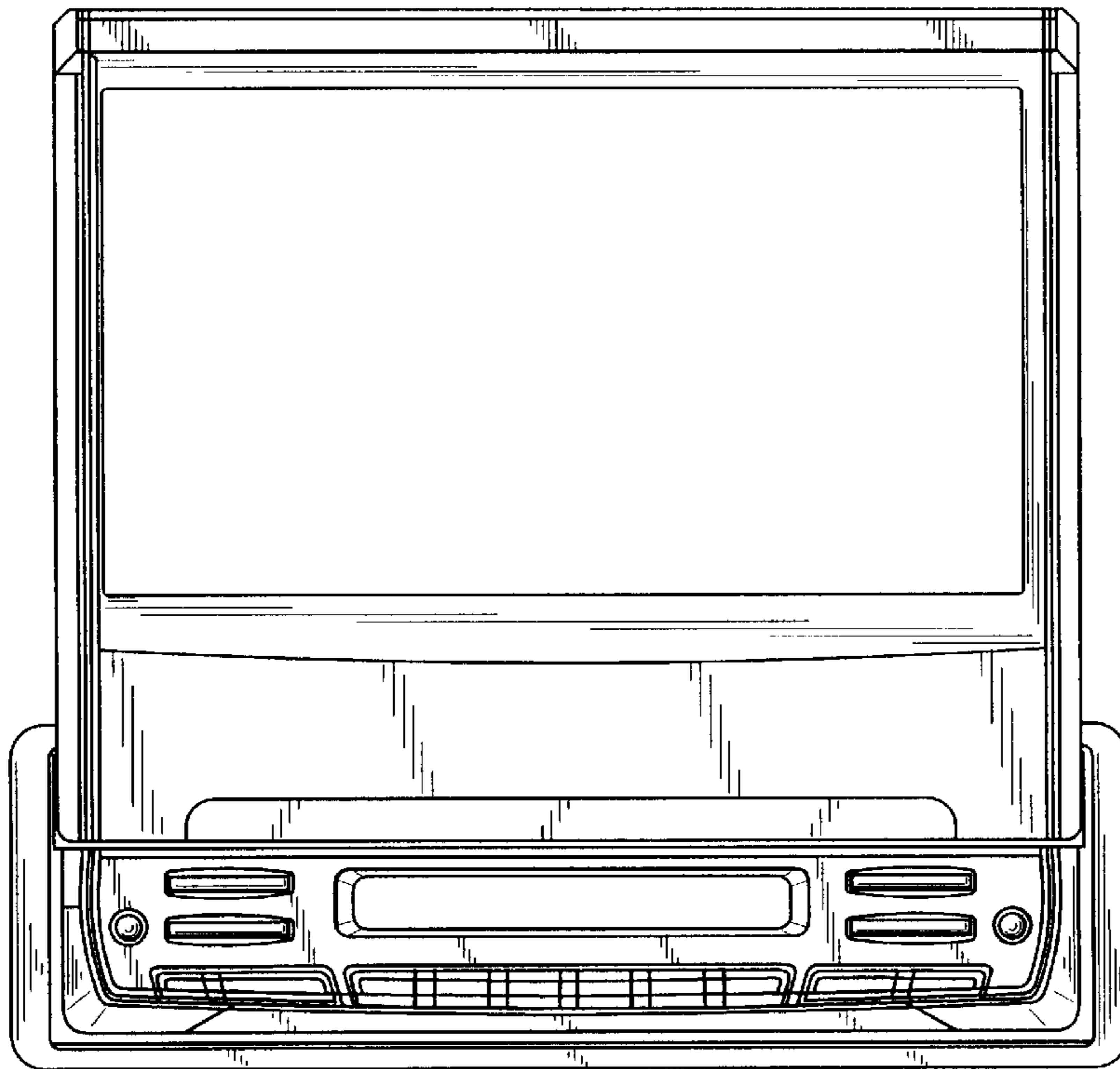


Fig. 9

