



US00D515062S

(12) **United States Design Patent**  
**Winebrenner et al.**

(10) **Patent No.:** **US D515,062 S**  
(45) **Date of Patent:** **\*\* Feb. 14, 2006**

- (54) **CRADLE FOR AN ELECTRONIC COMMUNICATION DEVICE**
- (75) Inventors: **Jon Theron Winebrenner**, Richmond (CA); **Craig Stephen Gauld**, Vancouver (CA); **Harish Kumar Patel**, Burnaby (CA); **Michael Robert King**, Burnaby (CA); **Larry Zibrik**, Surrey (CA)
- (73) Assignee: **Sierra Wireless**, Richmond (CA)
- (\*\*) Term: **14 Years**
- (21) Appl. No.: **29/208,278**
- (22) Filed: **Jun. 24, 2004**
- (51) **LOC (8) Cl.** ..... **14-03**
- (52) **U.S. Cl.** ..... **D14/149; D13/108; D14/253**
- (58) **Field of Classification Search** ..... D14/149–151, D14/147–148, 251–253, 144, 143, 130, 329, D14/330, 434, 140, 142; 379/419, 428.01–428.04, 379/440, 454, 455, 446; D13/107, 108; D21/517  
See application file for complete search history.

(56) **References Cited**

**U.S. PATENT DOCUMENTS**

- D345,739 S \* 4/1994 Potts et al. .... D14/299
- D353,131 S \* 12/1994 Nagele ..... D13/107
- D358,821 S \* 5/1995 Hellier et al. .... D14/253
- D360,723 S \* 7/1995 Kasai et al. .... D32/73
- D361,069 S \* 8/1995 Hellier et al. .... D14/253
- D366,237 S \* 1/1996 Yang ..... D13/108
- 5,656,914 A \* 8/1997 Nagele et al. .... 320/110
- 5,659,236 A \* 8/1997 Hahn ..... 320/111
- D394,423 S \* 5/1998 Nagele et al. .... D13/107
- D400,164 S \* 10/1998 Lindahl ..... D13/108
- D402,957 S \* 12/1998 Kuwayama et al. .... D13/108
- D408,783 S \* 4/1999 Lucaci et al. .... D13/107
- D410,225 S \* 5/1999 Yu ..... D13/107
- D411,507 S \* 6/1999 Reis et al. .... D13/107
- D414,742 S \* 10/1999 Chang ..... D13/107
- D417,430 S \* 12/1999 Ko ..... D13/107
- 6,049,192 A \* 4/2000 Kfoury et al. .... 320/113

- D426,808 S \* 6/2000 Hsiao ..... D13/107
- D427,966 S \* 7/2000 Foster et al. .... D13/107
- D427,967 S \* 7/2000 Lloyd et al. .... D13/107
- 6,124,699 A \* 9/2000 Suzuki et al. .... 320/110
- D432,496 S \* 10/2000 Collins ..... D13/108
- 6,127,802 A \* 10/2000 Lloyd et al. .... 320/113
- D436,576 S \* 1/2001 Herrmann et al. .... D13/107
- D440,936 S \* 4/2001 Burns ..... D13/108
- 6,226,536 B1 \* 5/2001 Miyashita ..... 455/567
- D448,724 S \* 10/2001 Hsiao ..... D13/107
- 6,356,054 B1 \* 3/2002 Herrmann ..... 320/115
- D456,005 S \* 4/2002 Jokinen ..... D13/108
- D466,476 S \* 12/2002 Stratford ..... D13/108
- D466,511 S \* 12/2002 Croley et al. .... D14/434
- D467,867 S \* 12/2002 Hsiao ..... D13/107
- 6,546,102 B1 \* 4/2003 Blackwell et al. .... 379/446
- 6,570,987 B1 \* 5/2003 Saarikko ..... 379/428.01
- D486,786 S \* 2/2004 Eroma et al. .... D13/108
- D493,801 S \* 8/2004 Byun ..... D14/453
- 6,816,740 B1 \* 11/2004 Lin ..... 455/573

**FOREIGN PATENT DOCUMENTS**

JP 09120844 \* 5/1997

\* cited by examiner

*Primary Examiner*—Jeffrey Asch

(74) *Attorney, Agent, or Firm*—Thelen Reid & Priest, LLP

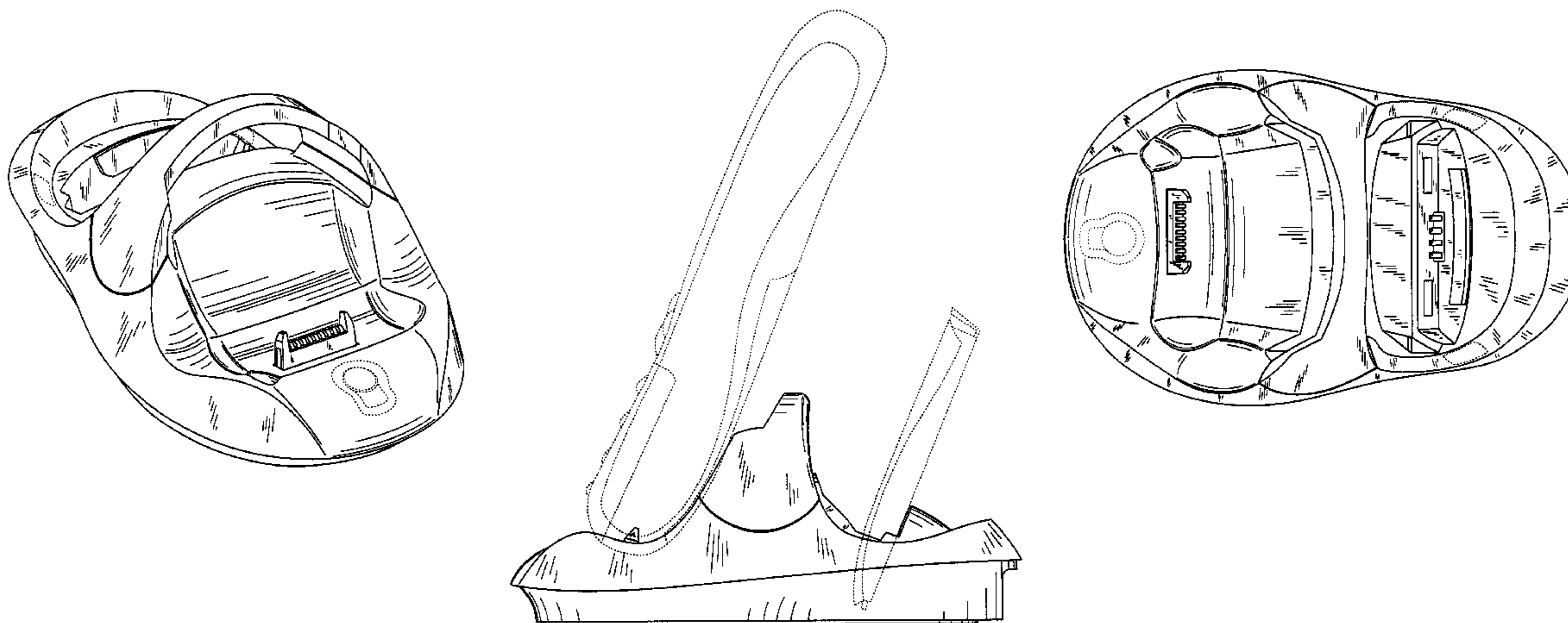
(57) **CLAIM**

The ornamental design for a cradle for an electronic communication device, as shown and described.

**DESCRIPTION**

FIG. 1 is a perspective view of the cradle.  
 FIG. 2 is a front view of the cradle.  
 FIG. 3 is a back view of the cradle.  
 FIG. 4 is a left side view of the cradle.  
 FIG. 5 is a right side view of the cradle.  
 FIG. 6 is a top view of the cradle; and,  
 FIG. 7 is a bottom view of the cradle.  
 The broken line showings throughout the views are for illustrative purposes only and form no part of the claimed design.

**1 Claim, 6 Drawing Sheets**



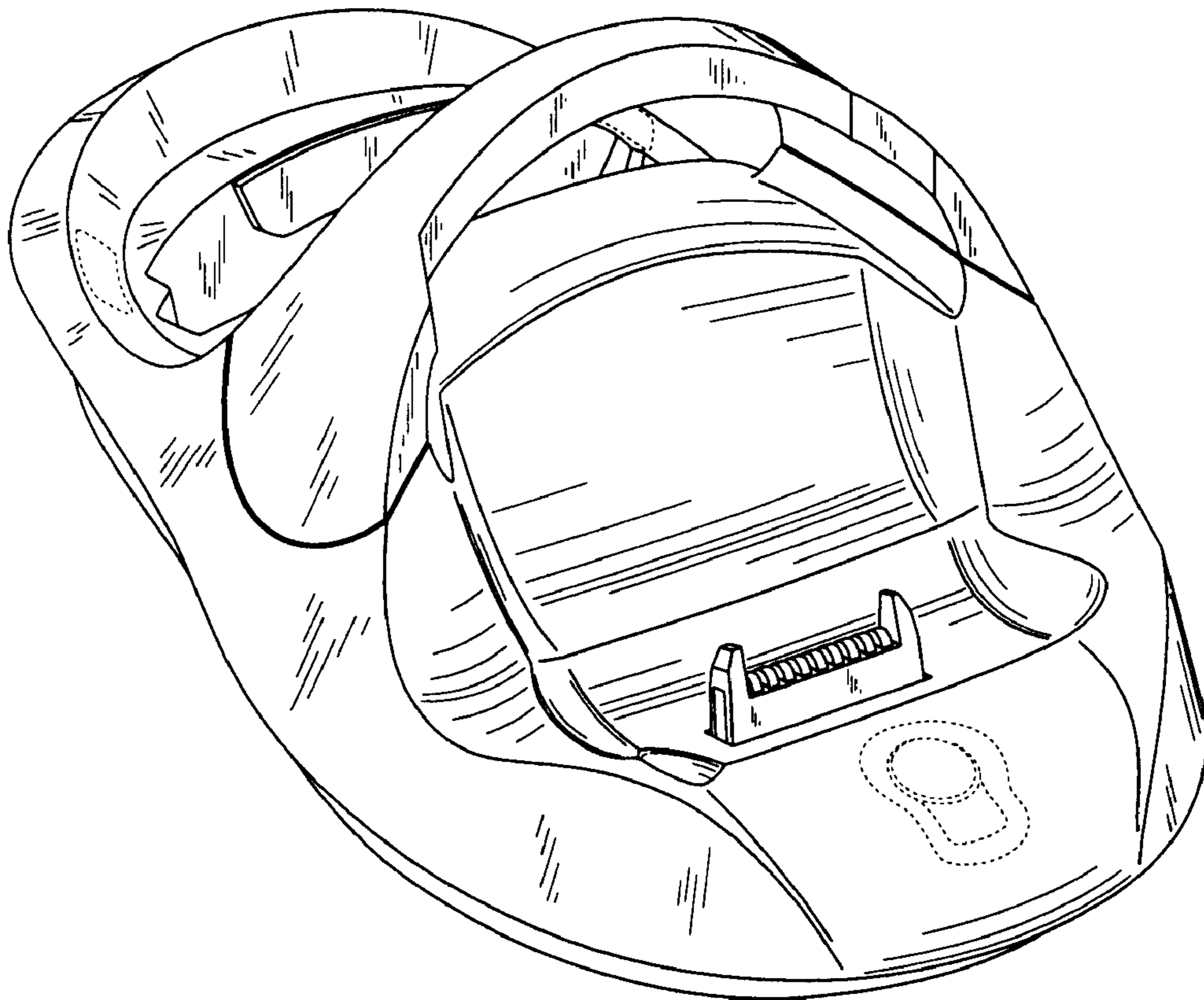


FIG. 1

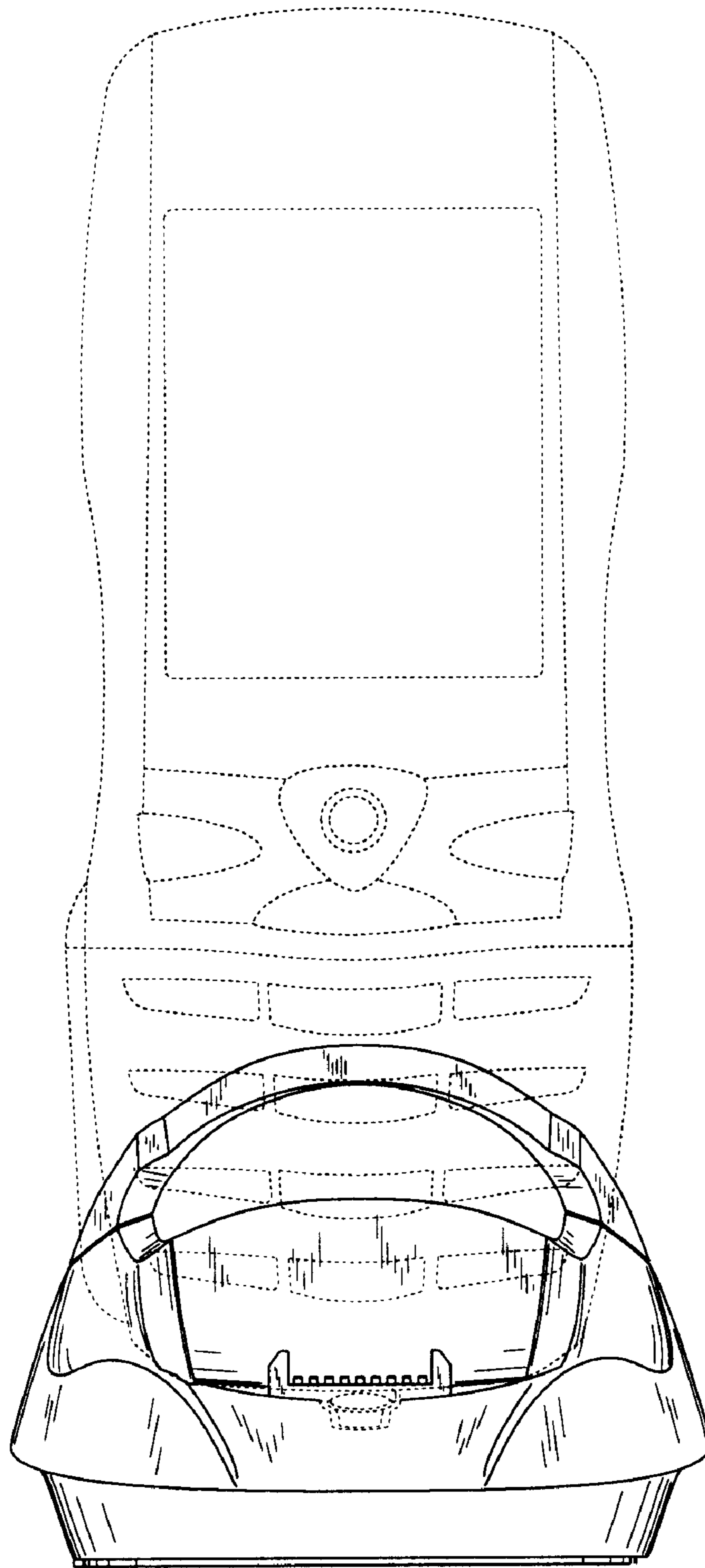


FIG. 2

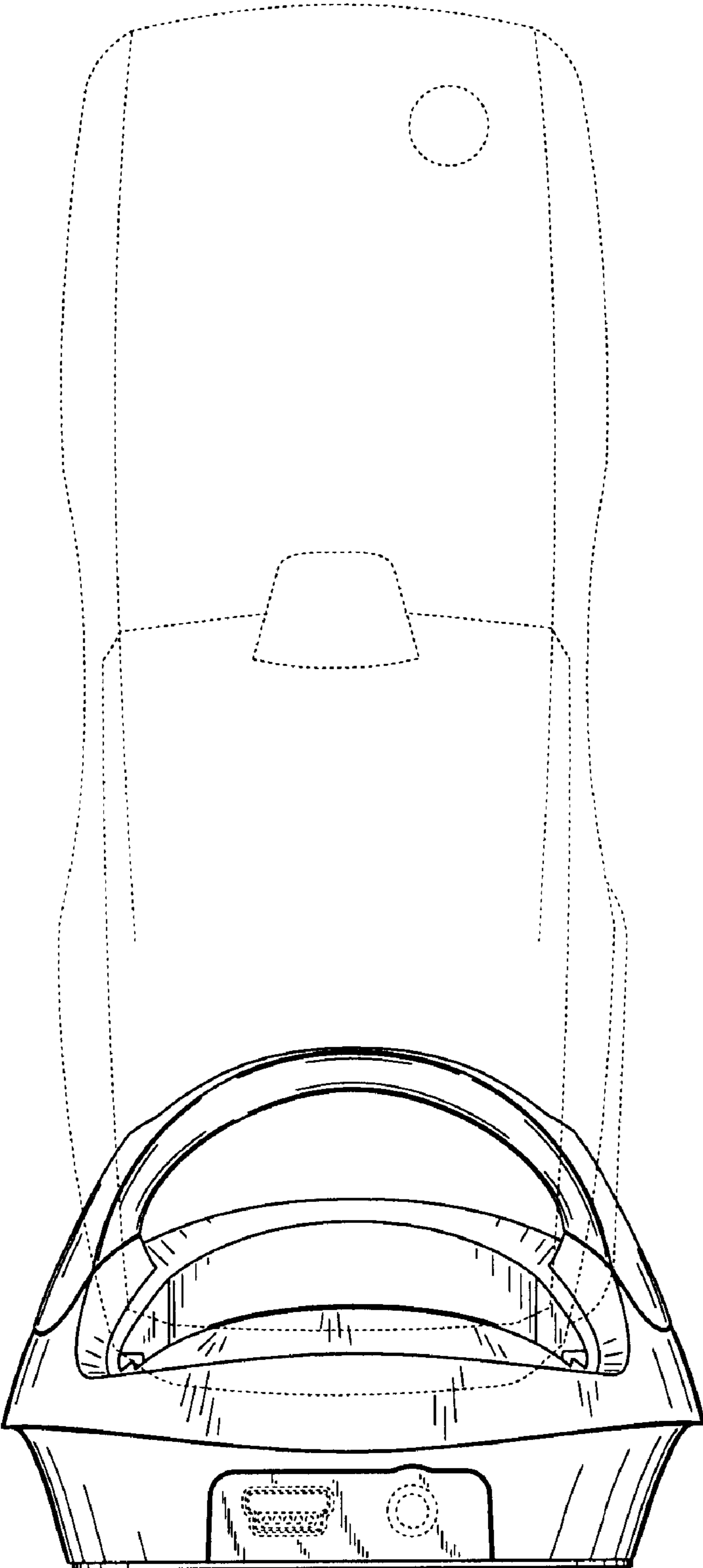


FIG. 3

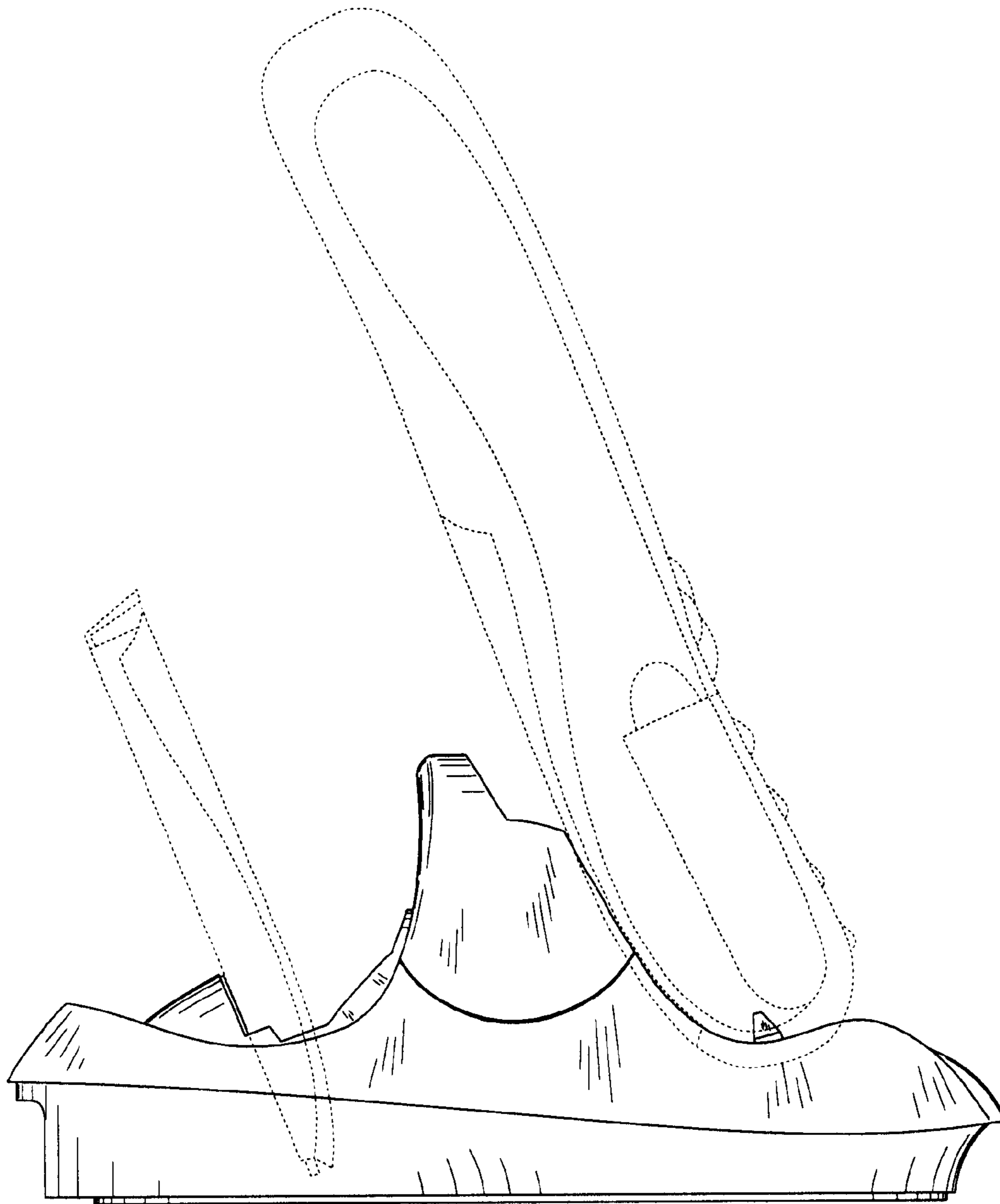


FIG. 4

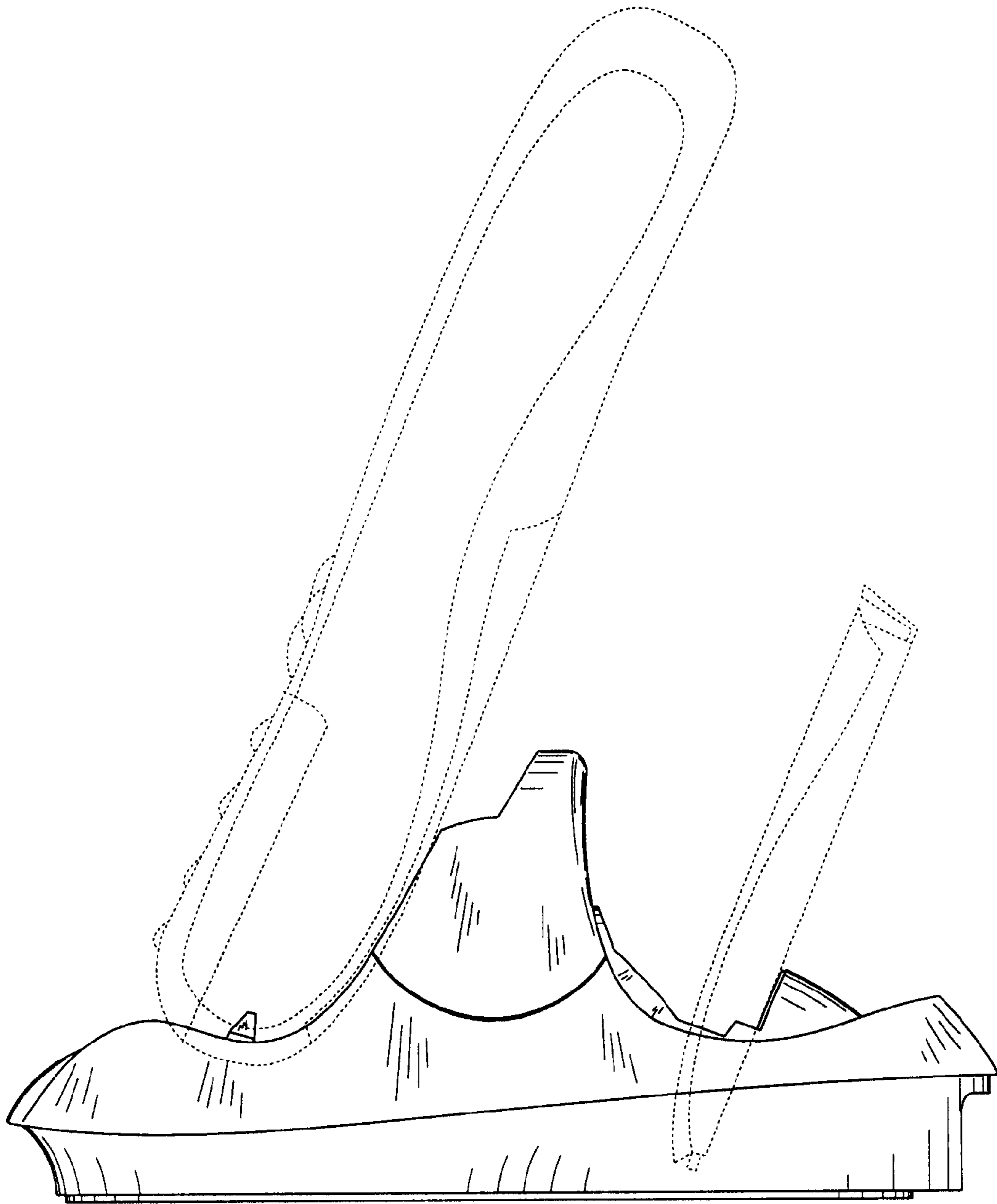


FIG. 5

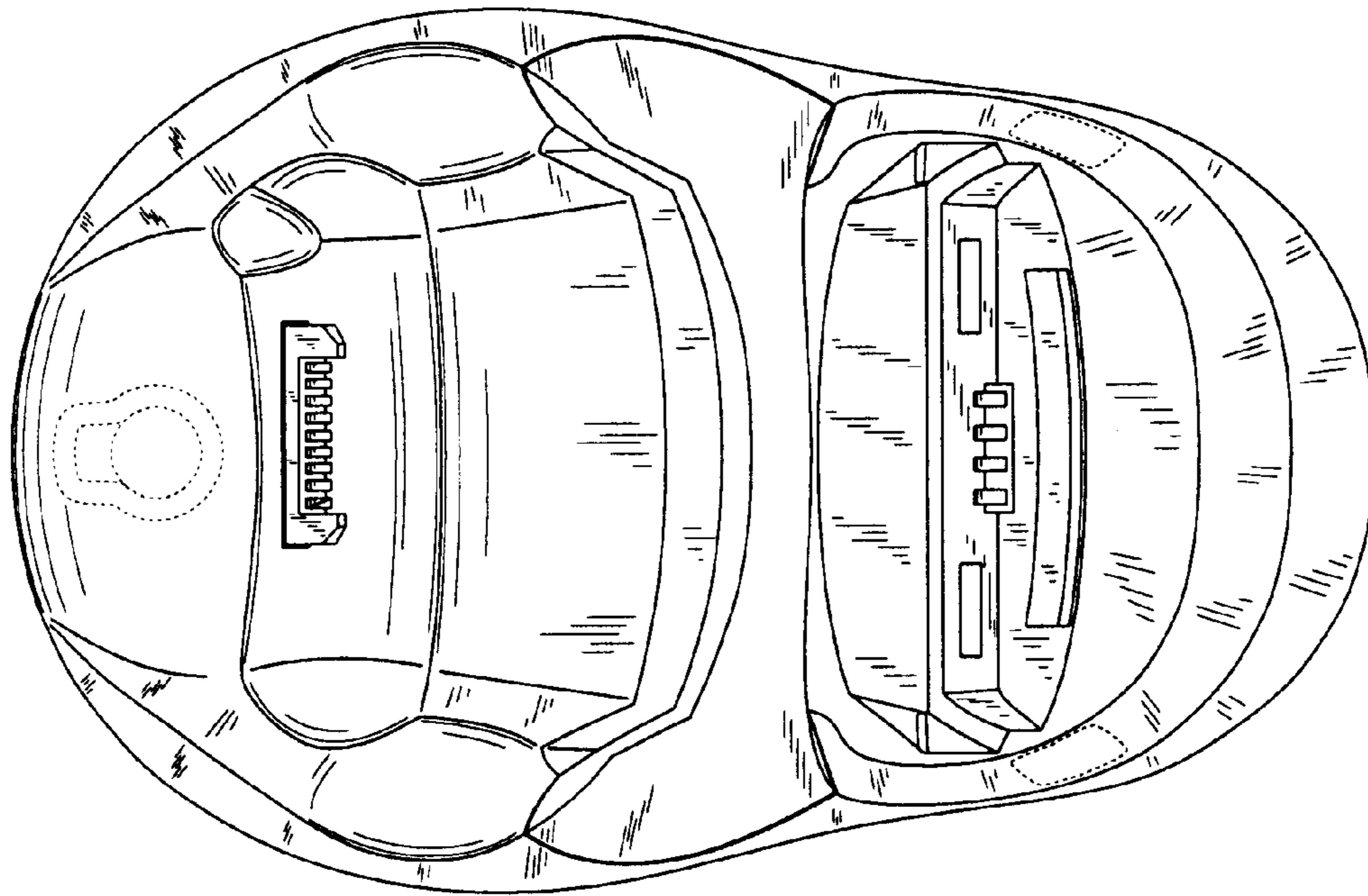


FIG. 6

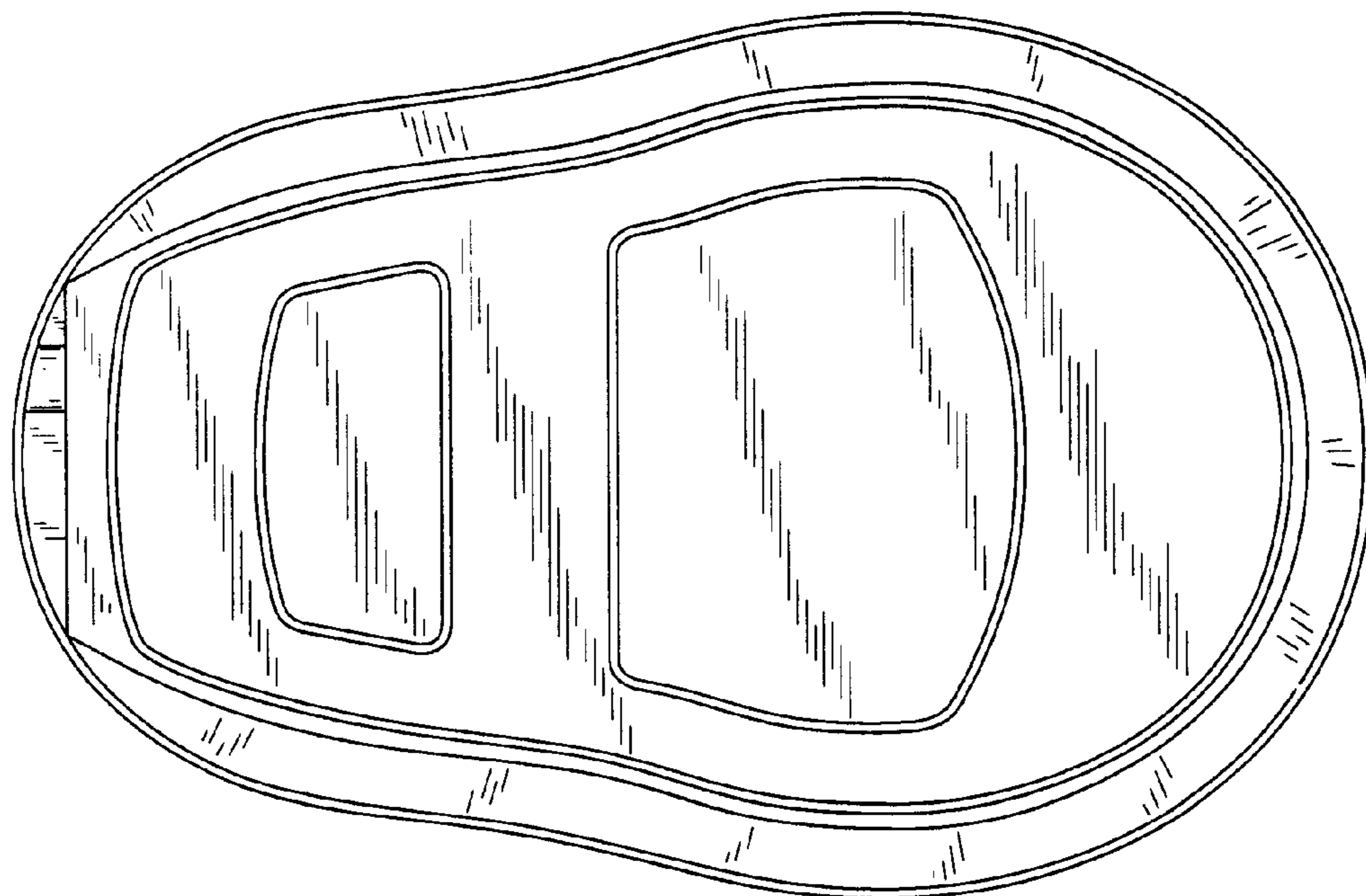


FIG. 7