



US00D515054S

(12) **United States Design Patent** (10) **Patent No.:** **US D515,054 S**
Ishiura et al. (45) **Date of Patent:** **** Feb. 14, 2006**

(54) **PORTABLE PHONE WITH CAMERA**

(75) Inventors: **Ryoichi Ishiura**, Edogawa-ku (JP);
Hiroko Yokoyama, Yokohama (JP);
Hiroko Nakano, Setagaya-ku (JP);
Taihei Miyaji, Nishitokyo (JP)

(73) Assignee: **Kabushiki Kaisha Toshiba** (JP)

(**) Term: **14 Years**

(21) Appl. No.: **29/193,627**

(22) Filed: **Nov. 13, 2003**

(30) **Foreign Application Priority Data**

Jul. 31, 2003 (JP) 2003-022303

(51) **LOC (8) Cl.** **14-03**

(52) **U.S. Cl.** **D14/138**

(58) **Field of Classification Search** D14/137,
D14/138, 147-148, 247-248, 144, 341-347;
379/433.01-433.13, 434; 455/550.1-90.3,
455/575.3, 566, 575.1; D21/517; 345/169;
348/373-376

See application file for complete search history.

(56) **References Cited**

U.S. PATENT DOCUMENTS

D440,955 S	*	4/2001	Tanaka et al.	D14/138
D450,672 S	*	11/2001	Arbisi et al.	D14/138
D475,689 S	*	6/2003	Shimazu et al.	D14/138
D476,968 S	*	7/2003	Yokoyama	D14/138
D477,296 S	*	7/2003	Minamide	D14/138
D483,342 S	*	12/2003	Lee et al.	D14/138
D485,248 S	*	1/2004	Ogawa	D14/138
D486,810 S	*	2/2004	Chung	D14/138
D489,699 S	*	5/2004	Hwang et al.	D14/138
D490,065 S	*	5/2004	Shimazu et al.	D14/138
D491,907 S	*	6/2004	Ogawa	D14/138
D500,016 S	*	12/2004	Kim	D14/138
D500,481 S	*	1/2005	Kim et al.	D14/138

D501,190 S	*	1/2005	Watanabe et al.	D14/138
D501,457 S	*	2/2005	Lee et al.	D14/138
D501,657 S	*	2/2005	Kim	D14/138
2002/0006809 A1	*	1/2002	Kubo et al.	455/550
2002/0039914 A1	*	4/2002	Hama et al.	455/566
2002/0039915 A1	*	4/2002	Hama et al.	455/566
2002/0142810 A1	*	10/2002	Kawasaki et al.	455/566
2002/0146989 A1	*	10/2002	Moriki	455/90

FOREIGN PATENT DOCUMENTS

JP	1167128	3/2003
JP	1167430	3/2003
JP	1167659	3/2003
JP	1168843	3/2003
JP	1188710	* 10/2003

OTHER PUBLICATIONS

Sharp Catalog, SH251iS, Nov. 28, 2002.

* cited by examiner

Primary Examiner—Jeffrey Asch

(57) **CLAIM**

The ornamental design for a portable phone with camera, as shown and described.

DESCRIPTION

FIG. 1 is a top, front and right side perspective view of a portable phone with camera showing our new design, FIG. 2 is a front elevational view thereof, FIG. 3 is a rear elevational view thereof, FIG. 4 is a left side elevational view thereof, FIG. 5 is a right side elevational view thereof, FIG. 6 is a top plan view thereof, FIG. 7 is a bottom plan view thereof, FIG. 8 is a right side elevational view showing the article in a closed position thereof; and, FIG. 9 is a top plan view showing the article in the closed position thereof.

1 Claim, 5 Drawing Sheets

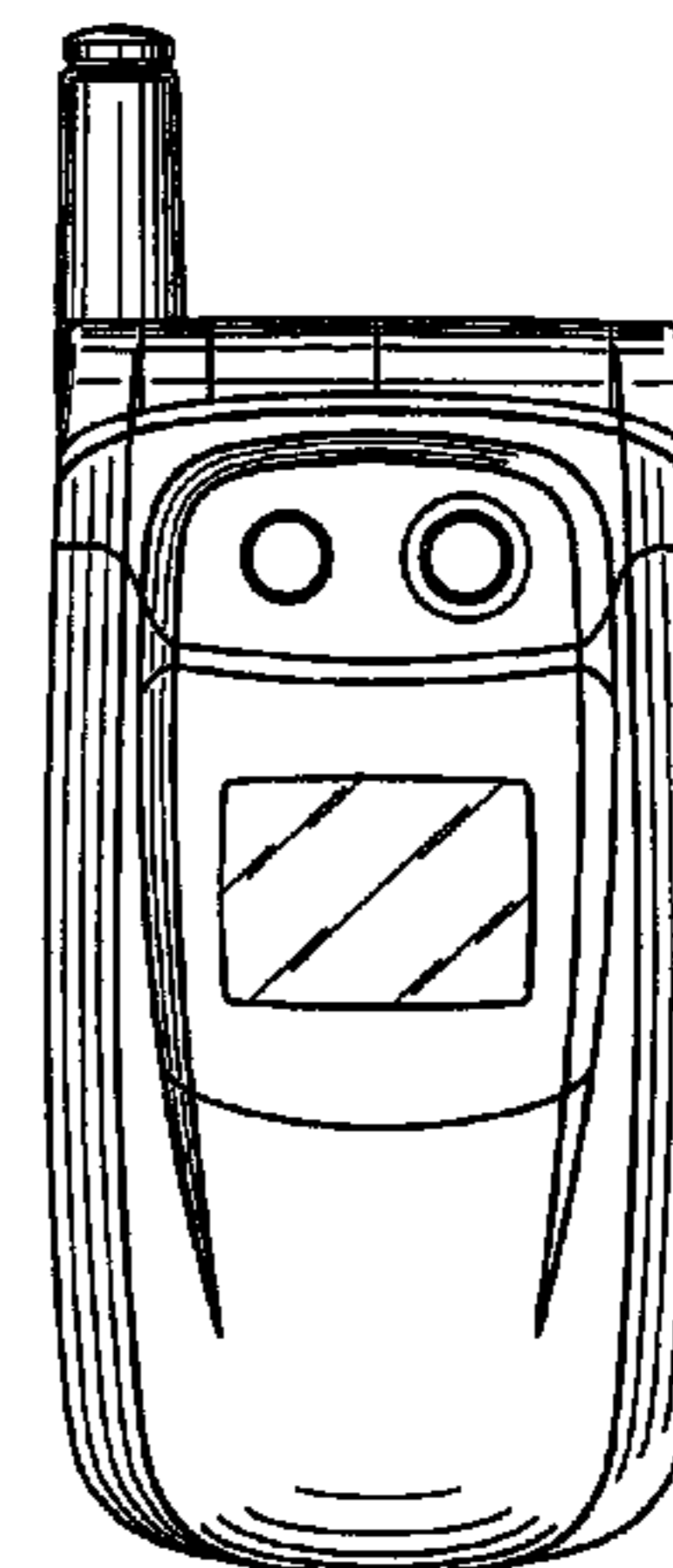
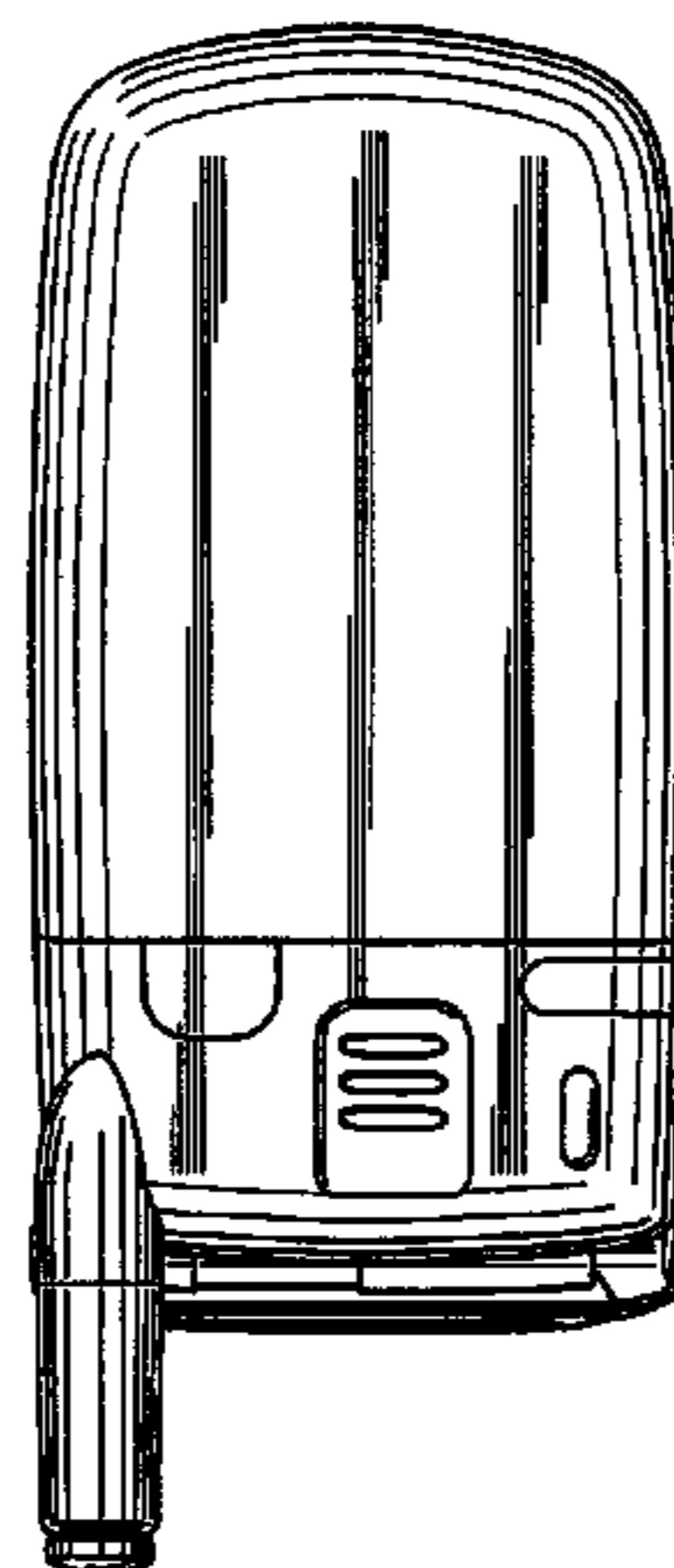
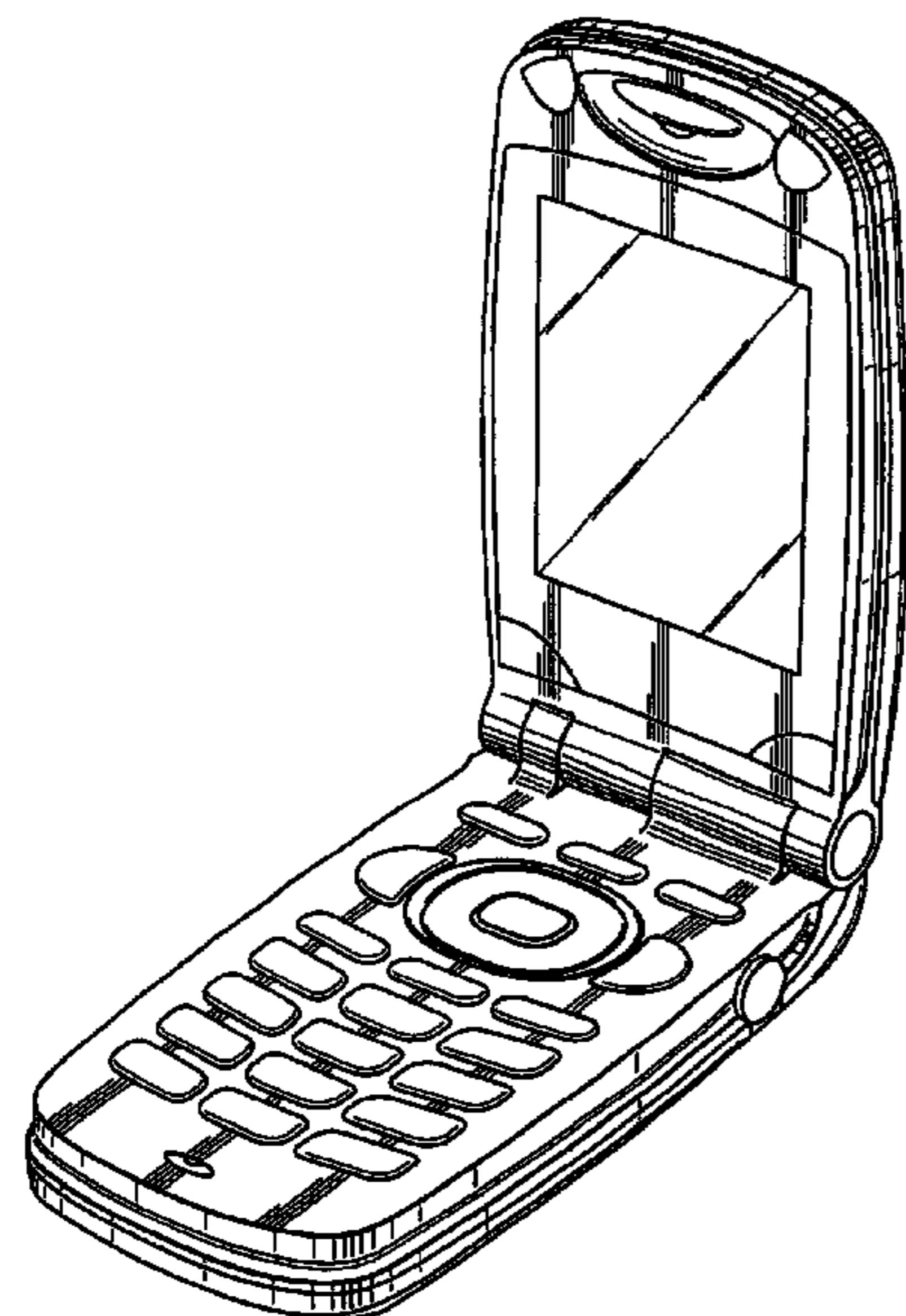


FIG. 1

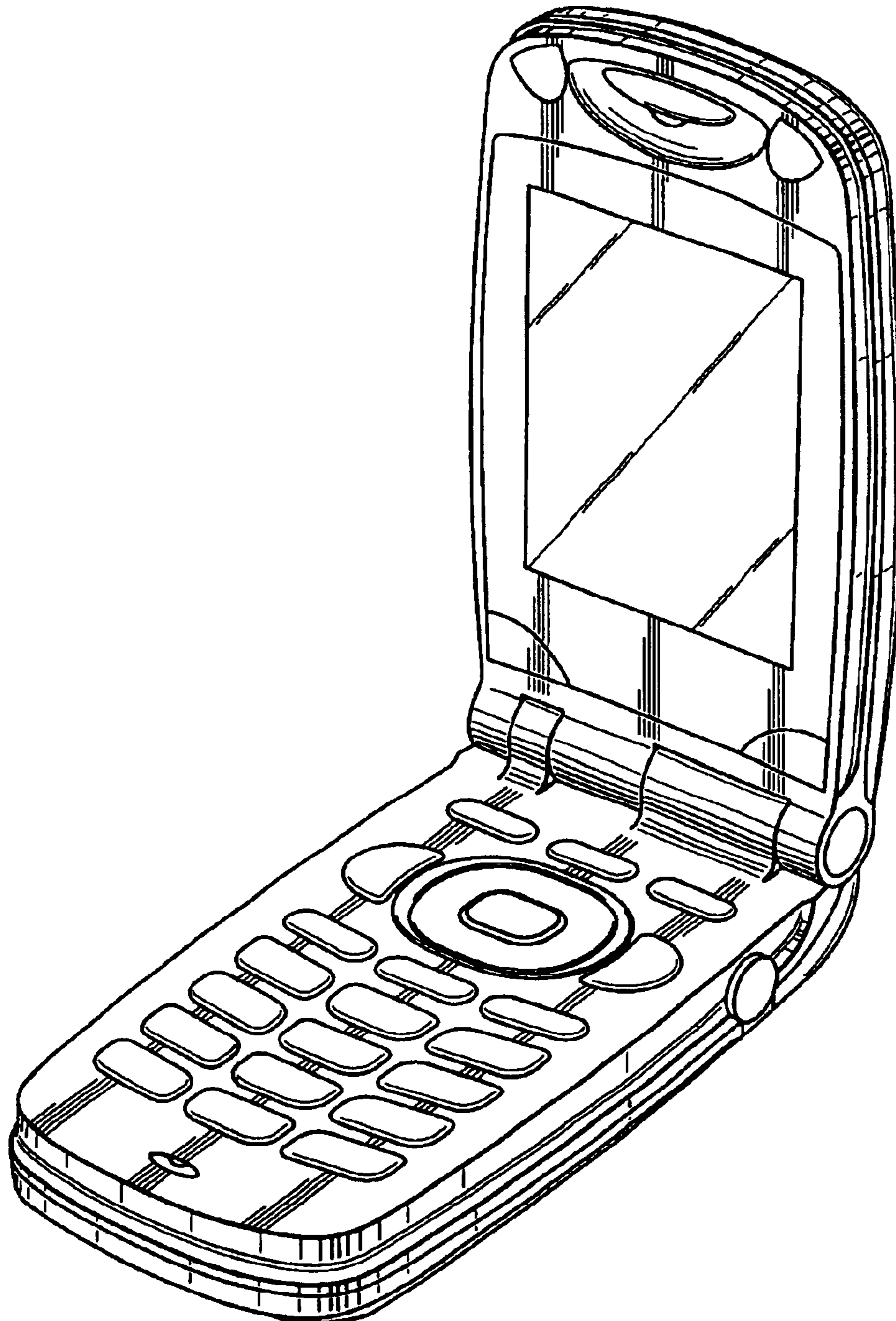


FIG. 2

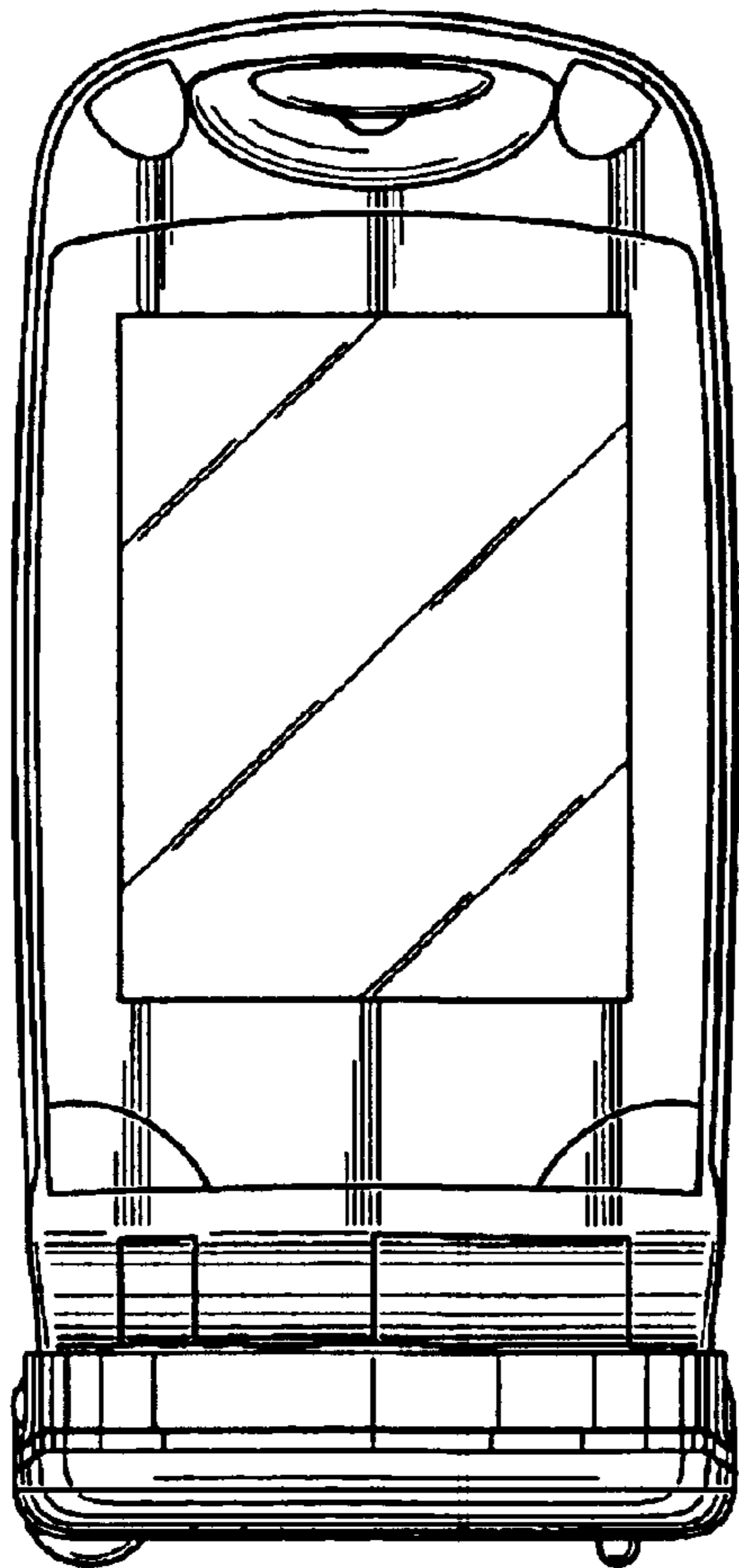


FIG. 3

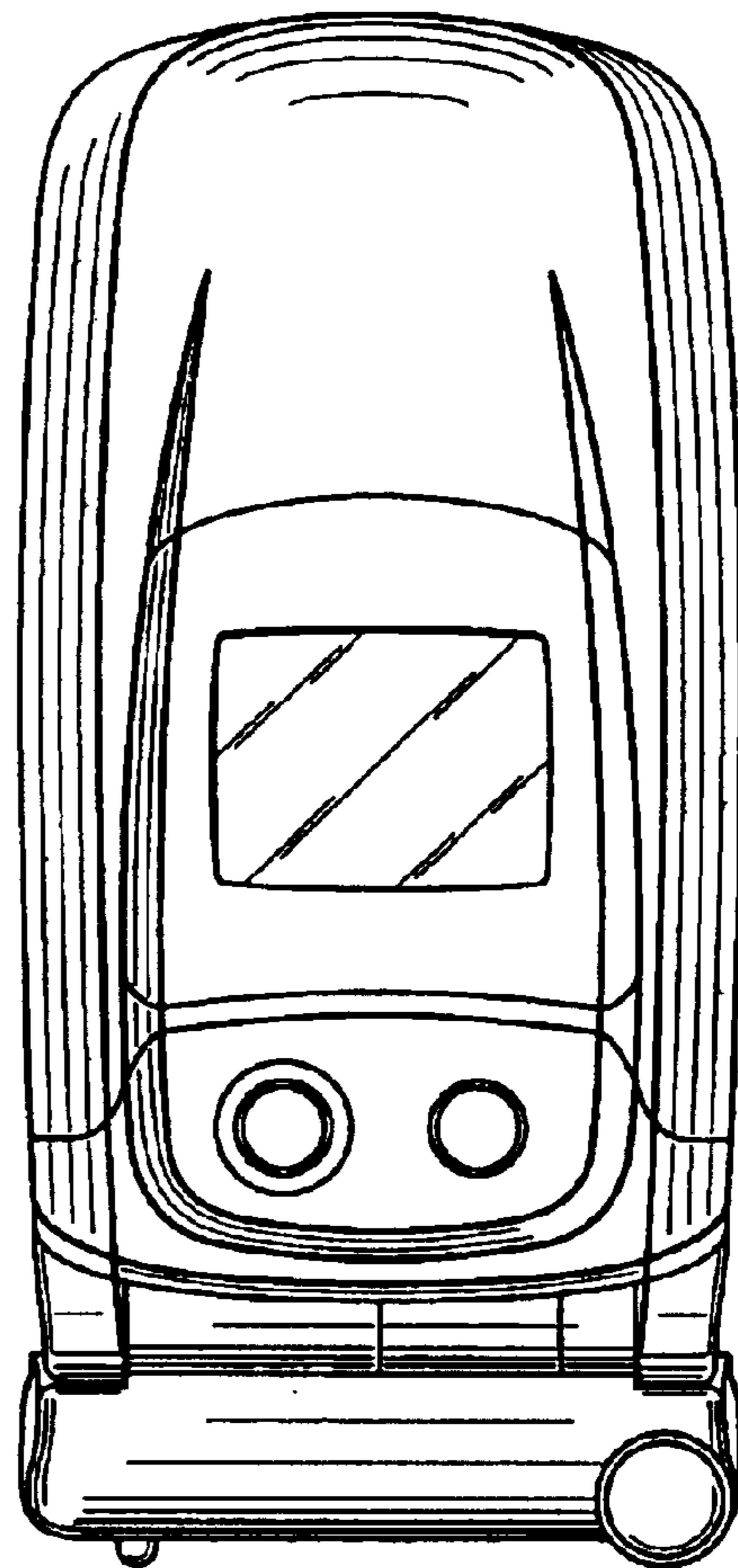


FIG. 4

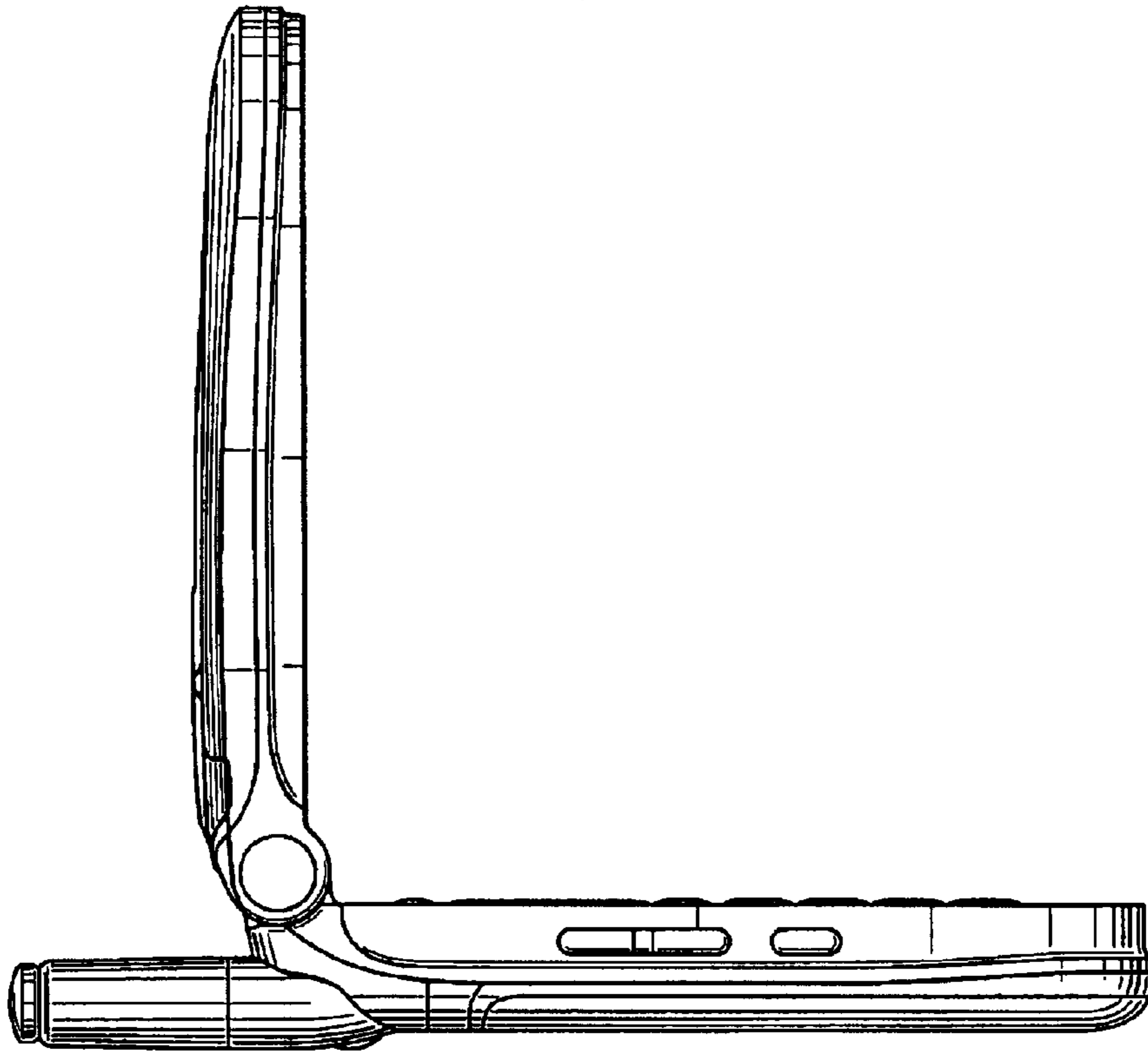


FIG. 5

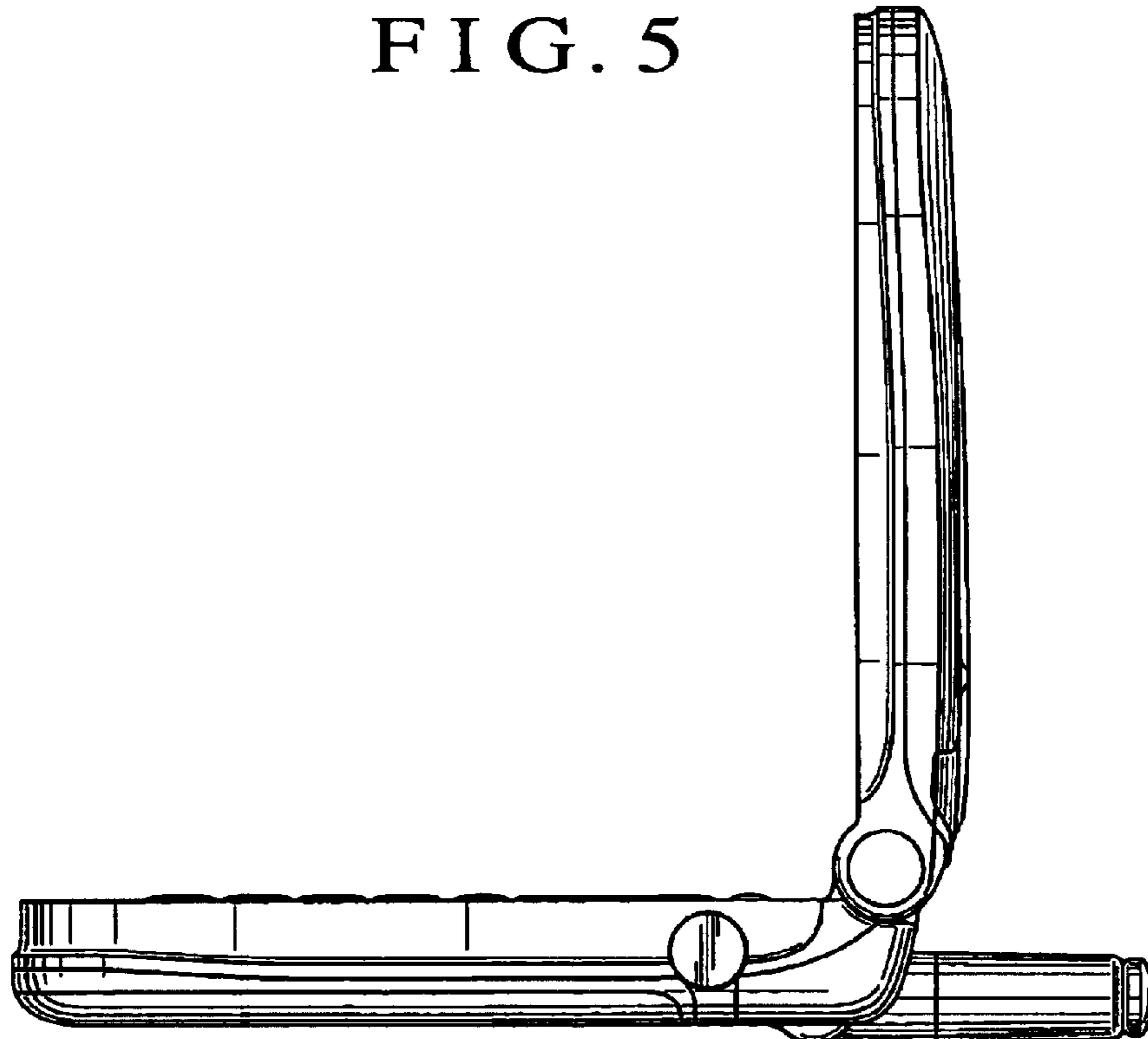


FIG. 6

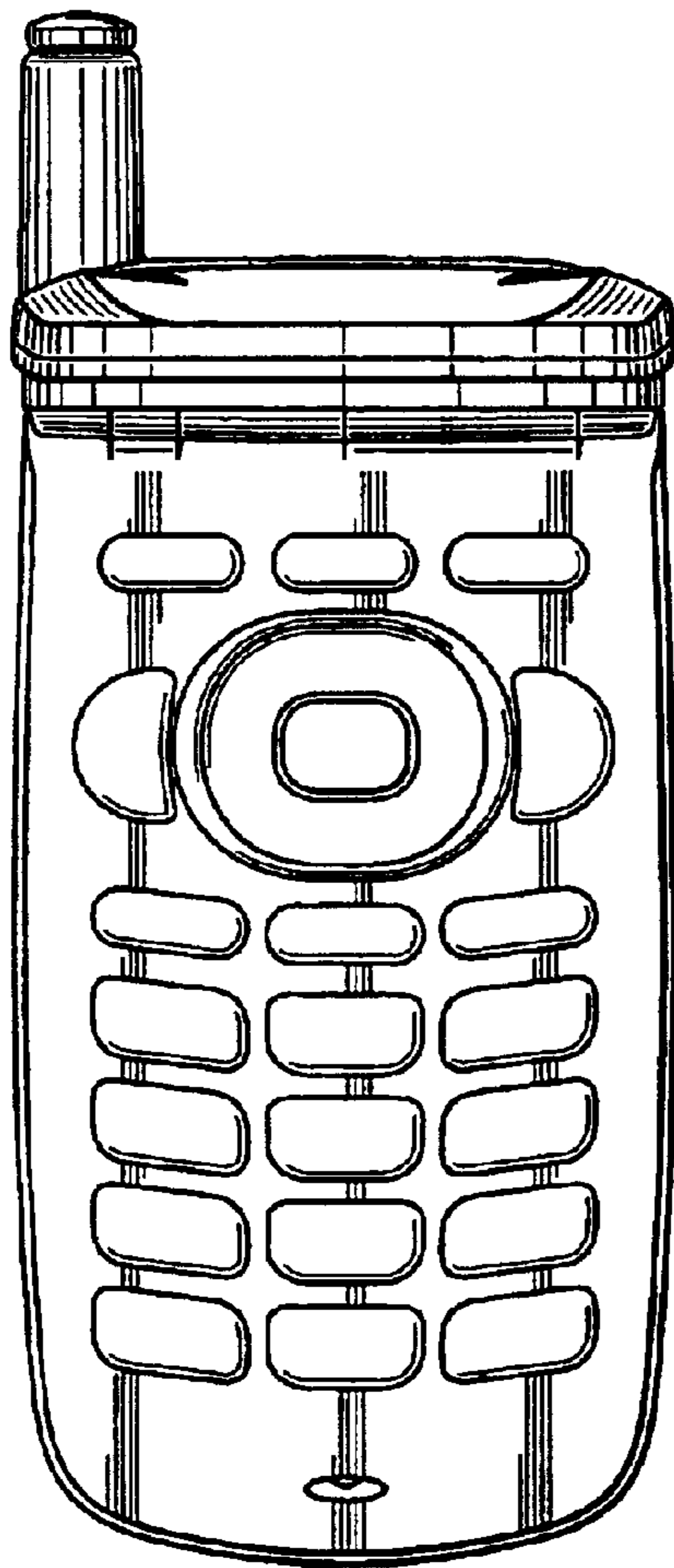


FIG. 7

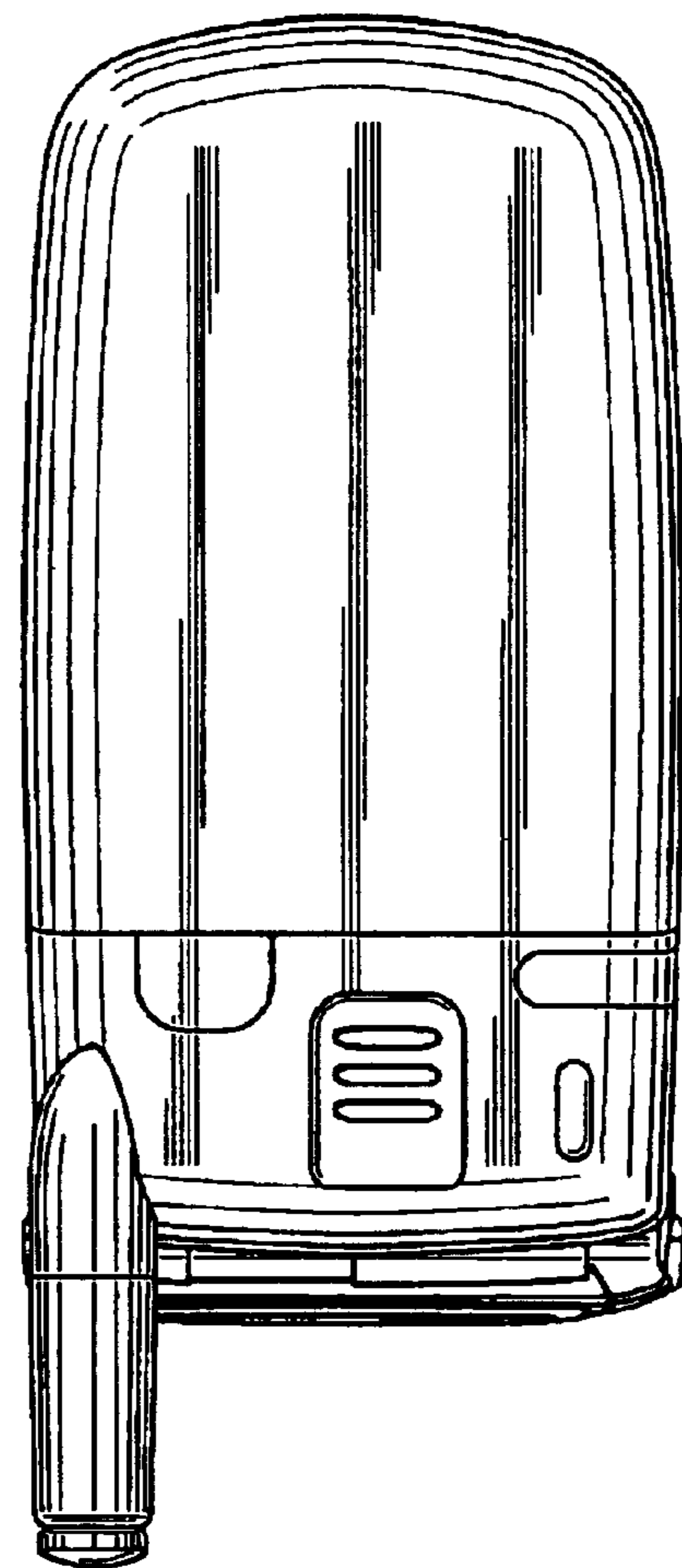


FIG. 8

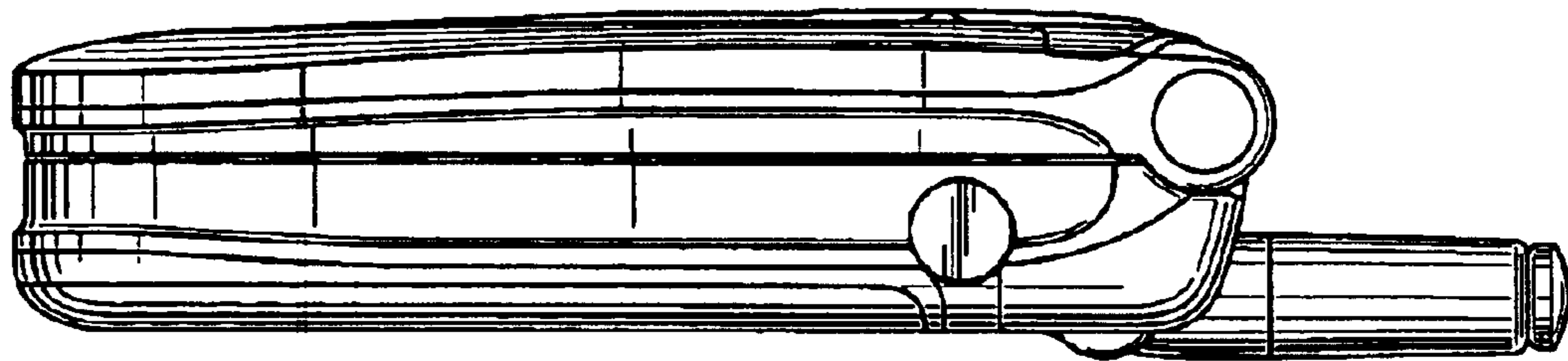


FIG. 9

