

US00D515048S

(12) **United States Design Patent** (10) **Patent No.:** **US D515,048 S**
Villalobos et al. (45) **Date of Patent:** **** Feb. 14, 2006**

(54) **REAR PROJECTION TELEVISION**

FOREIGN PATENT DOCUMENTS

(75) Inventors: **Ernesto Villalobos**, Chula Vista, CA
(US); **Sage Baker**, San Diego, CA
(US); **Masaaki Goto**, Niihama (JP)

JP D1076543 6/2000
JP D1121592 9/2001
JP D1155167 7/2002

(73) Assignee: **Matsushita Electric Industrial Co., Ltd.**, Osaka (JP)

OTHER PUBLICATIONS

(**) Term: **14 Years**

Good Guys catalog, p. 10, 2003.*
Good guys catalog, rear cover, 2001.*

(21) Appl. No.: **29/218,684**

* cited by examiner

(22) Filed: **Dec. 6, 2004**

Primary Examiner—Raphael Barkai
(74) *Attorney, Agent, or Firm*—Brinks Hofer Gilson & Lione

(51) **LOC (8) Cl.** **14-03**

(52) **U.S. Cl.** **D14/128**

(58) **Field of Classification Search** D14/125–134,
D14/239, 371, 374–376; 312/7.2; 348/836,
348/838, 180, 184, 325, 739, 825; 341/12;
248/917–924; 345/104, 133, 156, 168, 87,
345/173; 353/74

See application file for complete search history.

(57) **CLAIM**

We claim the ornamental design for a rear projection television, as shown and described.

(56) **References Cited**

U.S. PATENT DOCUMENTS

D244,052 S * 4/1977 Boldt et al. D14/134
D245,842 S * 9/1977 Boldt et al. D14/126
D367,478 S * 2/1996 Hara et al. D14/126
D407,074 S * 3/1999 Lee D14/375
5,929,945 A * 7/1999 Negishi et al. 348/825
D416,006 S * 11/1999 Park D14/374
D425,050 S * 5/2000 Tanigawa et al. D14/126
D454,846 S 3/2002 Goto
D467,233 S 12/2002 Takemoto et al.
D485,538 S 1/2004 Goto et al.

DESCRIPTION

FIG. 1 is a front perspective view of a rear projection television of the present invention; FIG. 2 is a rear perspective view thereof; FIG. 3 is a front view thereof; FIG. 4 is a first side view thereof; FIG. 5 is a rear view thereof; FIG. 6 is a second side view thereof; FIG. 7 is a top view thereof; and, FIG. 8 is a bottom view thereof.

The ornamental design which is claimed is shown in solid lines in the drawings. Any broken lines in the drawings are for illustrative purposes only and form no part of the claimed design.

1 Claim, 4 Drawing Sheets

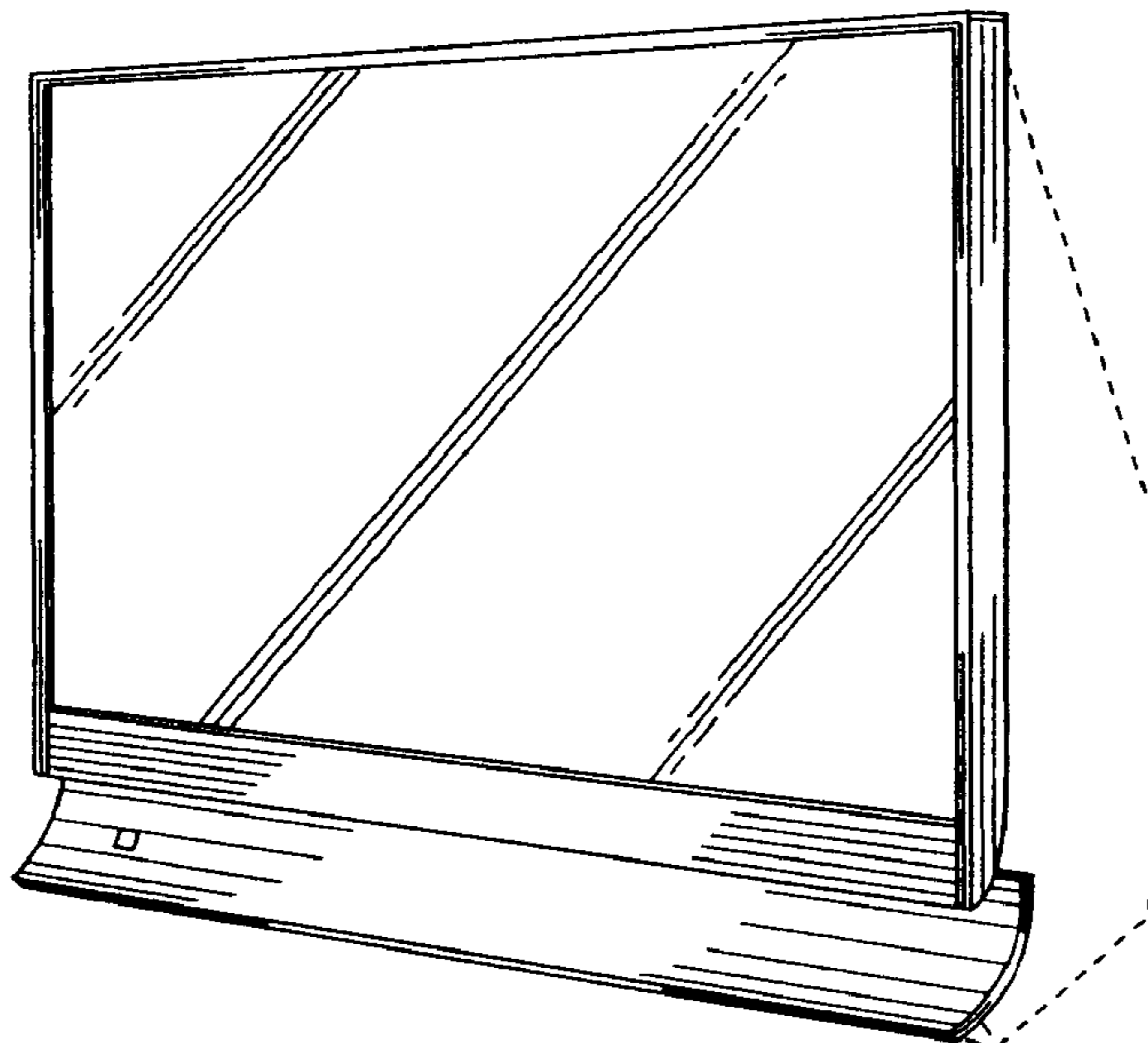


Fig. 1

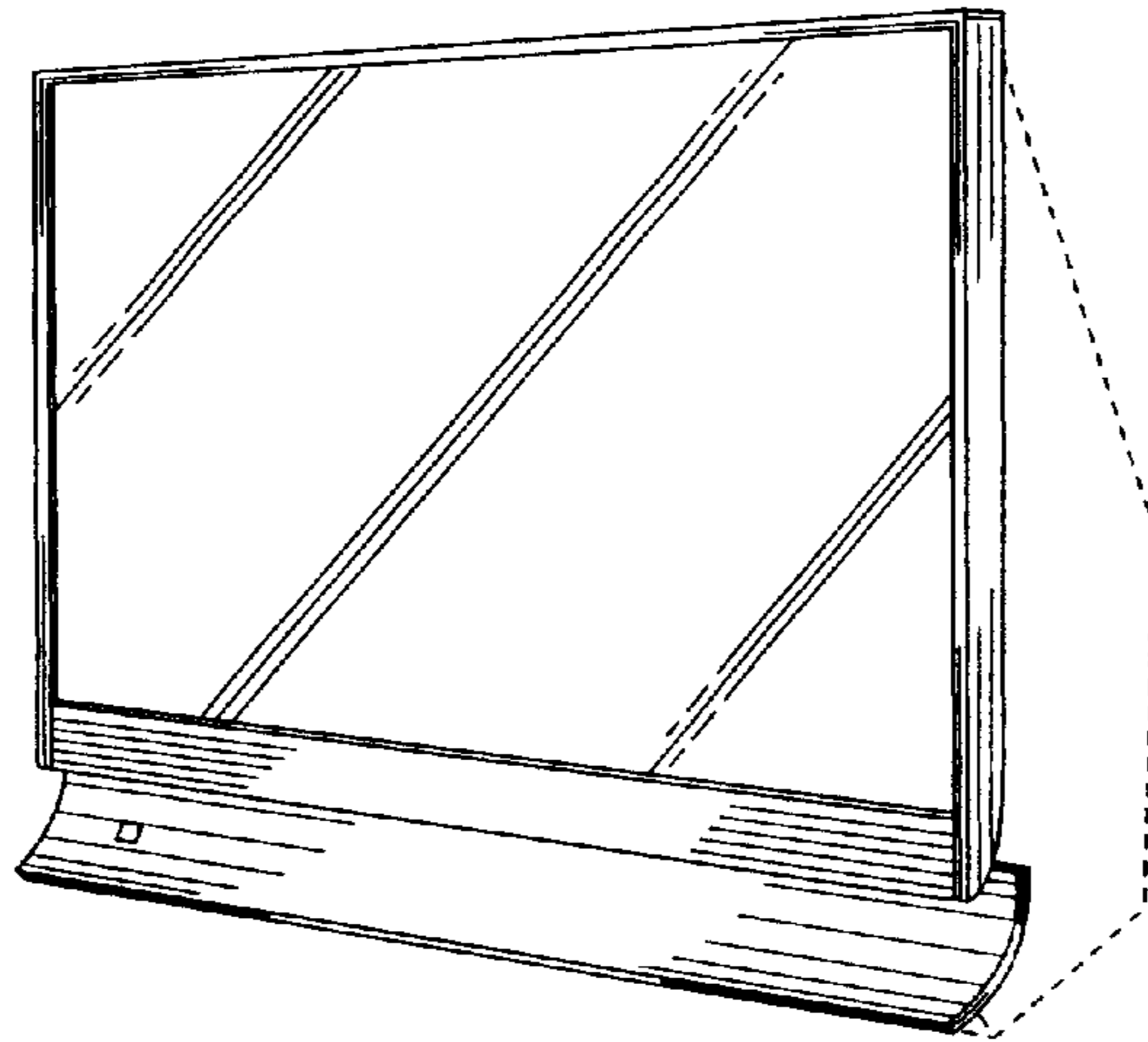


Fig. 2

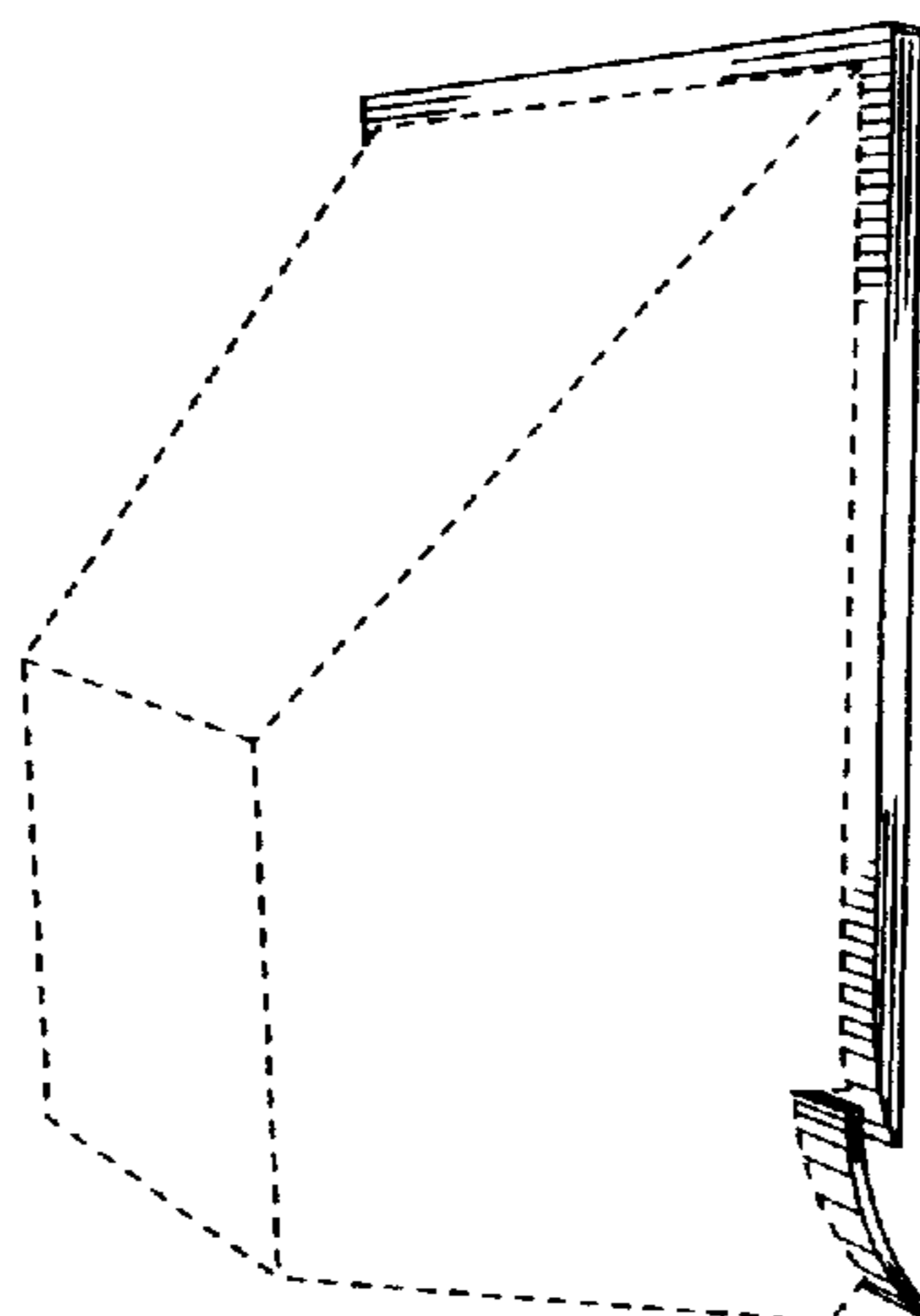


Fig.3

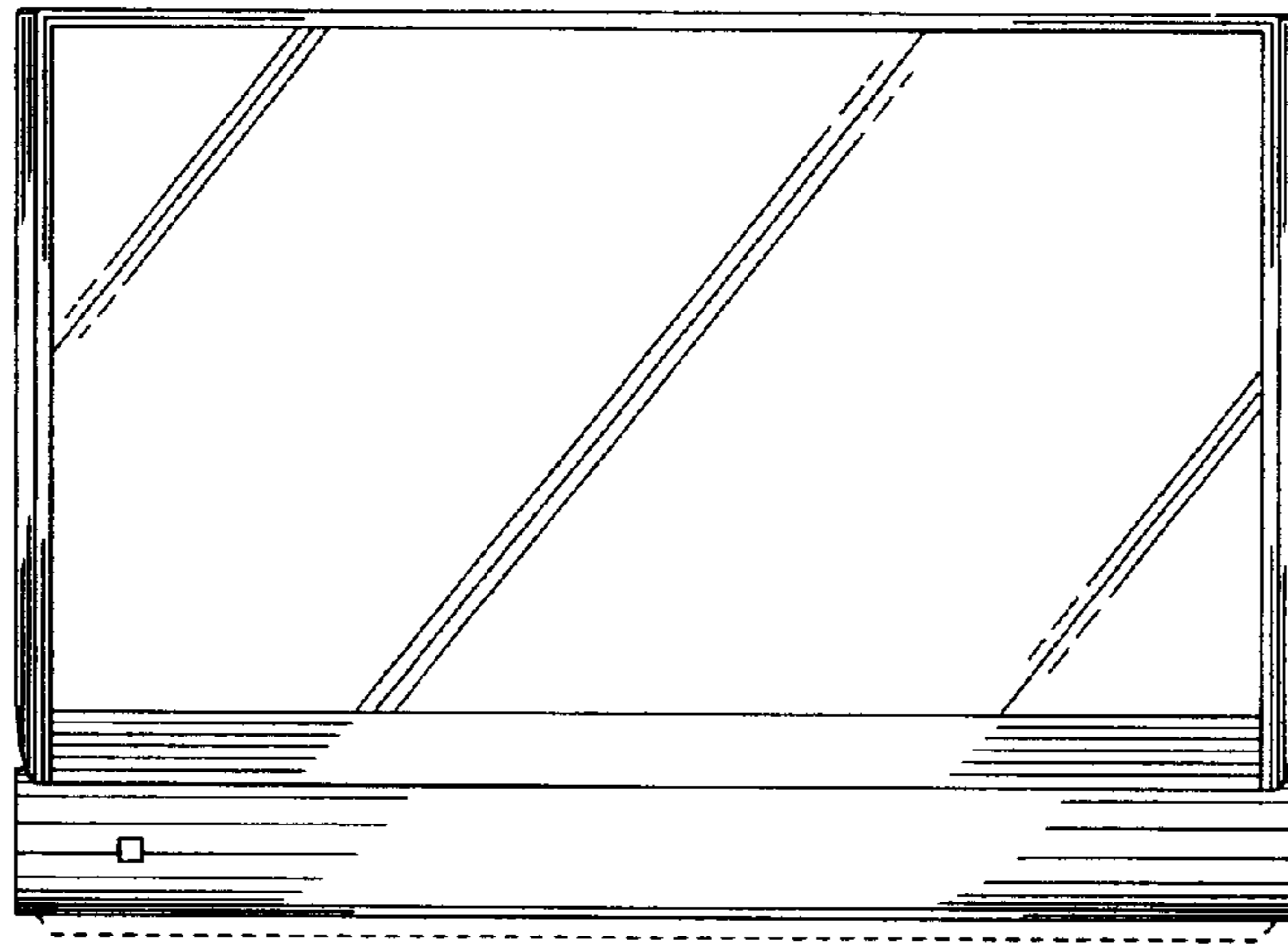


Fig.4

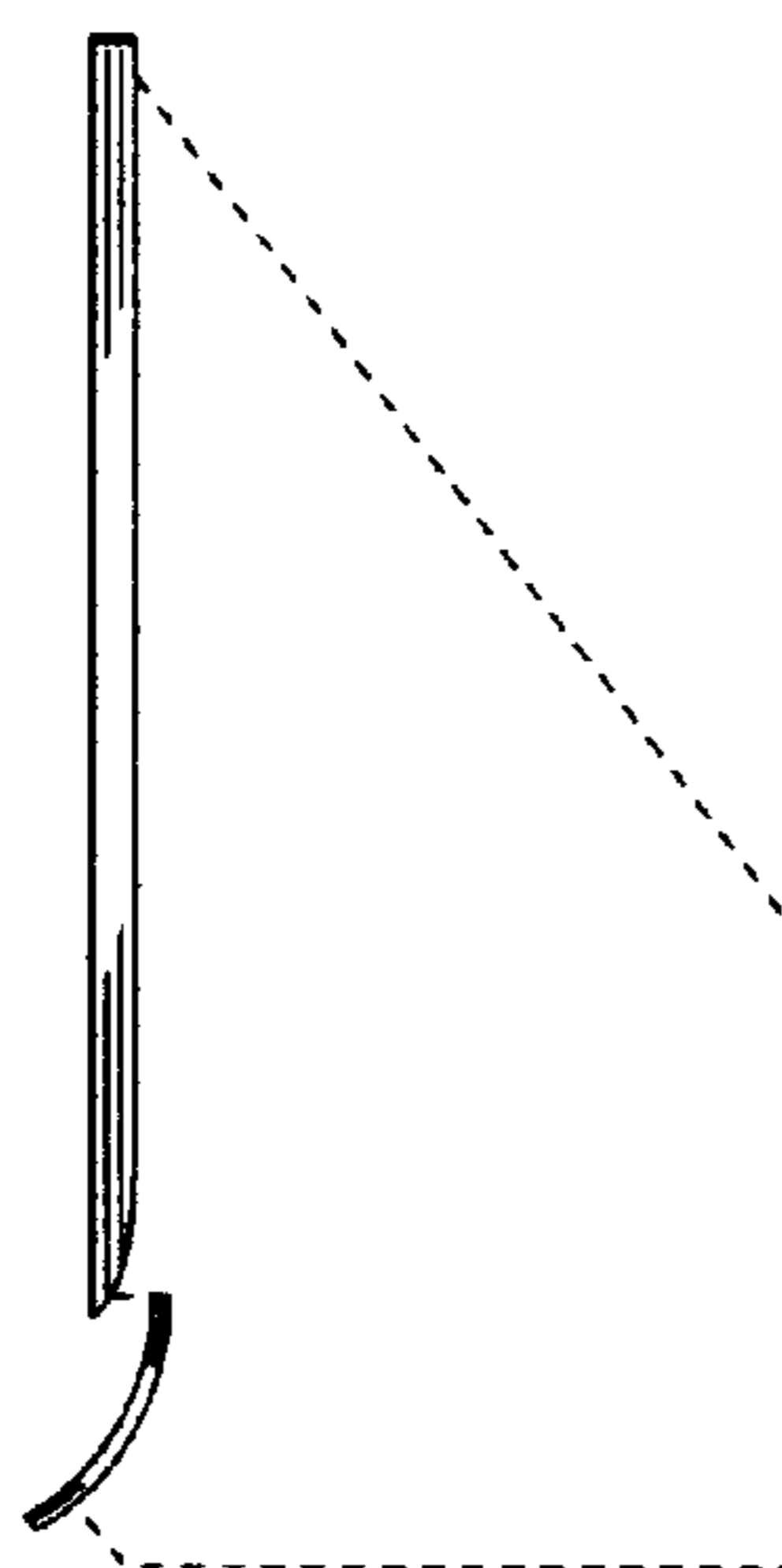


Fig.5

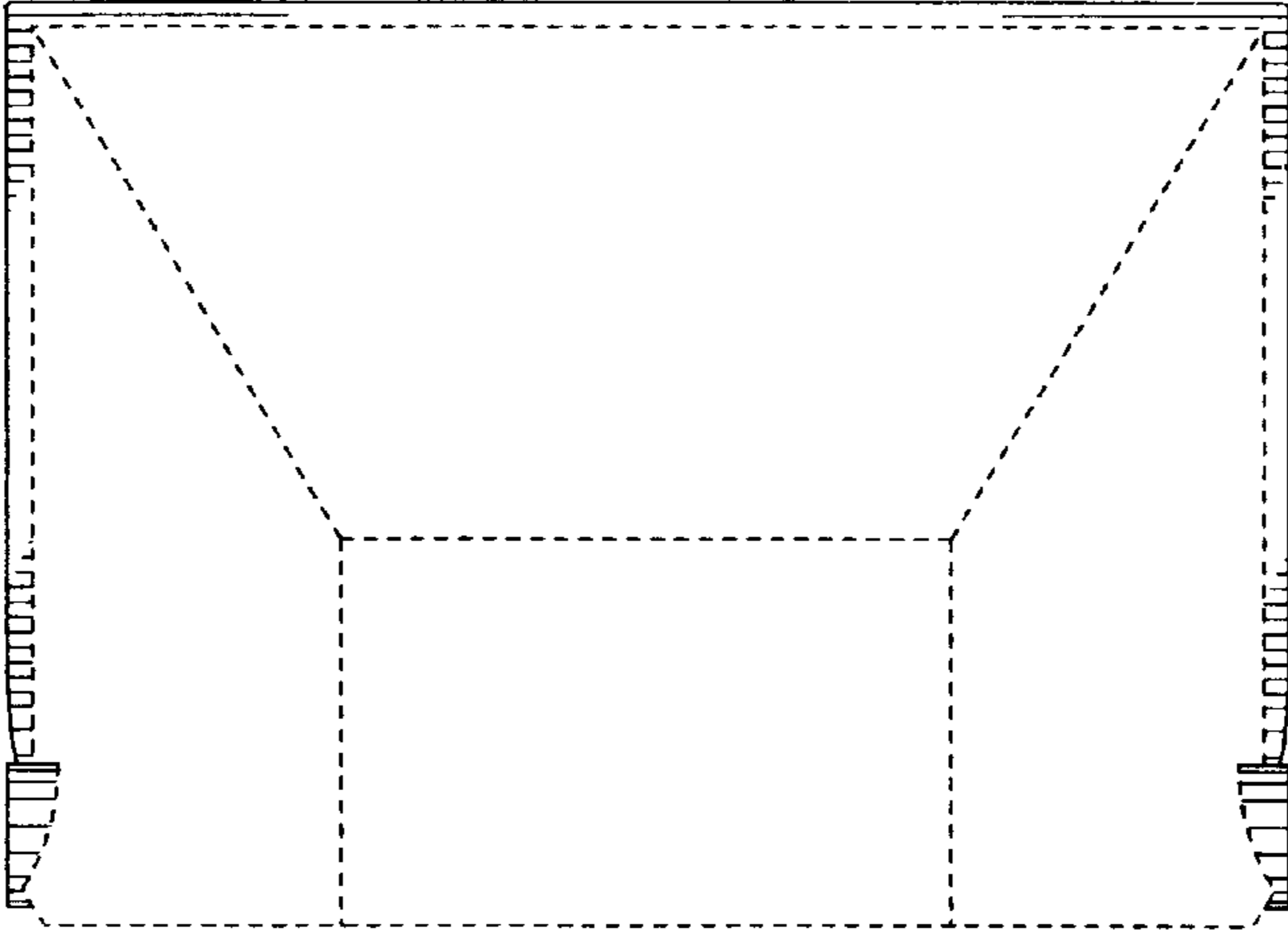


Fig.6

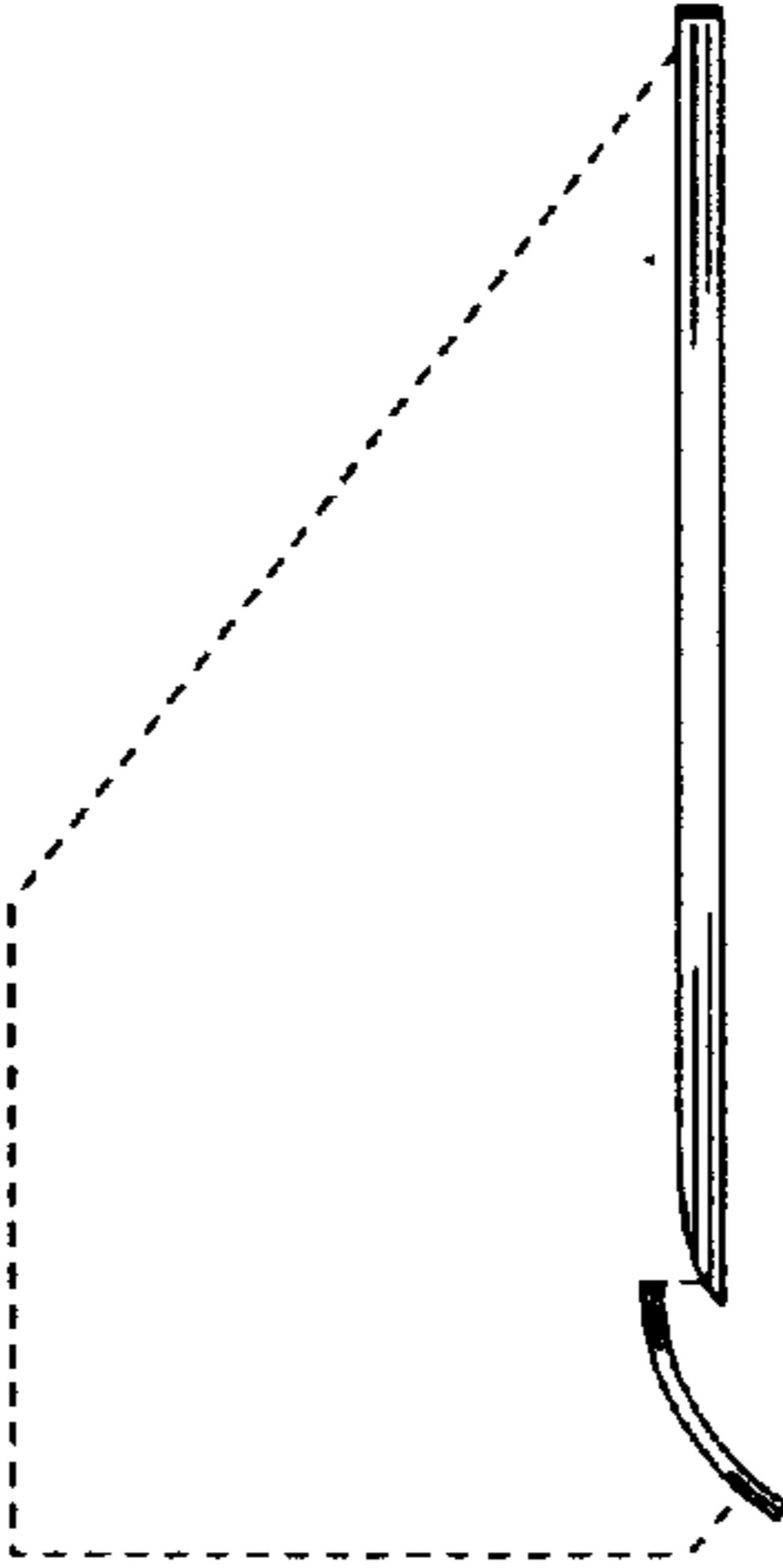


Fig7

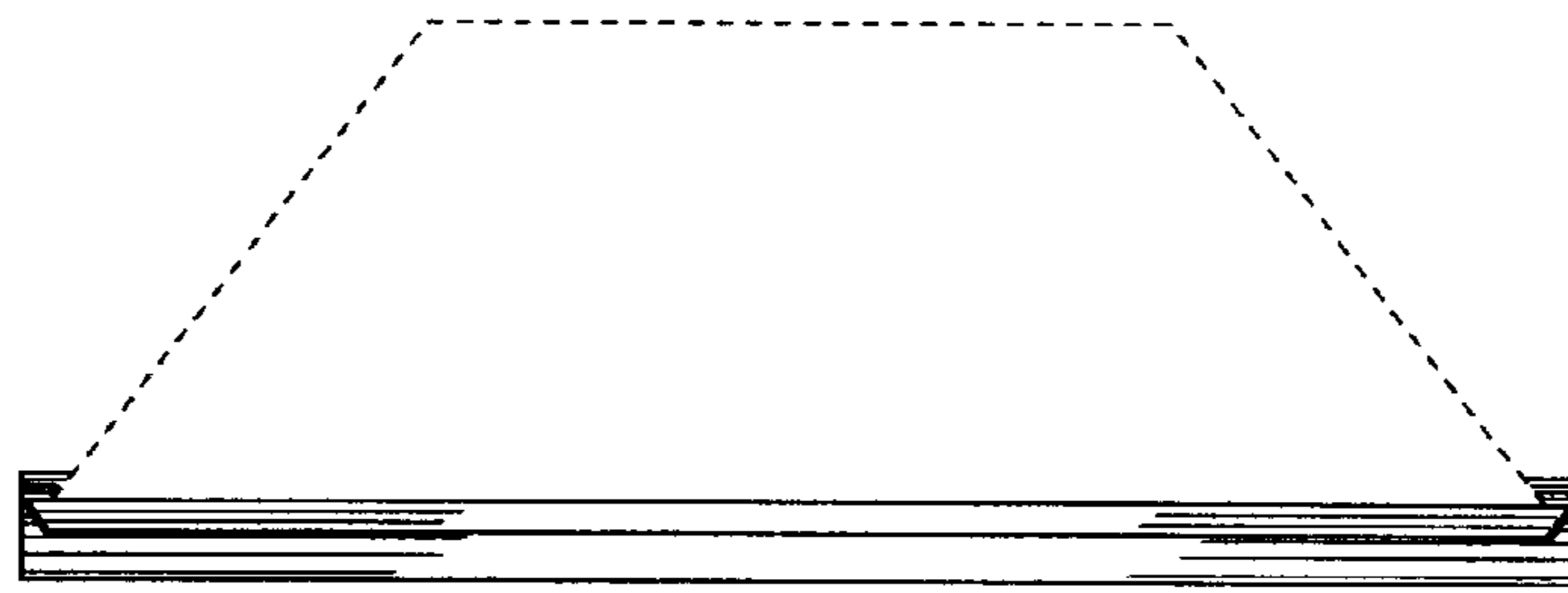


Fig.8

