



US00D515046S

(12) **United States Design Patent** (10) **Patent No.:** **US D515,046 S**
Kaprelian (45) **Date of Patent:** **** Feb. 14, 2006**

(54) **SEMI-FLUSH MOUNTED AIR
 CONDITIONER DISCONNECT HOUSING
 WITH MOISTURE INTRUSION RESISTANT
 FLANGES**

(76) Inventor: **Gabe Kaprelian**, 11518 Autumn Glen
 Ct., Porter Ranch, CA (US) 91326

(**) Term: **14 Years**

(21) Appl. No.: **29/222,179**

(22) Filed: **Jan. 25, 2005**

Related U.S. Application Data

(63) Continuation-in-part of application No. 29/164,784, filed on
 Jul. 30, 2002, now abandoned.

(51) **LOC (8) Cl.** **13-03**

(52) **U.S. Cl.** **D13/184**

(58) **Field of Classification Search** D13/184,
 D13/152, 153, 158; 174/48, 50, 53, 54, 58,
 174/65 R, 66, 67; 220/3.2, 3.3, 3, 3.6, 3.8,
 220/3.92, 4.02; 312/223.1, 324, 326; 361/104,
 361/326, 643; 337/256; 385/134, 135; 439/367,
 439/535, 536, 653

See application file for complete search history.

(56) **References Cited**

U.S. PATENT DOCUMENTS

D295,400 S	*	4/1988	Wung	D13/154
5,272,279 A	*	12/1993	Filshie	174/50
5,515,235 A	*	5/1996	Stoller	361/605
5,769,006 A	*	6/1998	Allaer	109/73
D405,421 S	*	2/1999	Tennefoss et al.	D13/152
6,075,435 A	*	6/2000	Jeffcoat	337/256
D430,866 S	*	9/2000	Beaumont et al.	D14/140.2
6,179,144 B1	*	1/2001	Abroy et al.	220/3.8
D437,586 S	*	2/2001	Sonntag	D13/184
2004/0257739 A1	*	12/2004	Rencsok	361/104

* cited by examiner

Primary Examiner—Stella Reid
Assistant Examiner—Selina Sikder
 (74) *Attorney, Agent, or Firm*—Robert N. Schlesinger

(57) **CLAIM**

The ornamental design for a semi-flush mounted air condi-
 tioner disconnect housing with moisture intrusion resistant
 flanges.

DESCRIPTION

This invention relates to a new and useful semi-flush air
 conditioner disconnect housing with moisture intrusion
 resistant flanges.

FIG. 1 shows a front view of the semi-flush mounted air
 conditioner disconnect housing with moisture intrusion
 resistant flanges, and showing my new design;

FIG. 2 shows a rear view thereof;

FIG. 3 shows a left side view thereof;

FIG. 4 shows a right side view thereof;

FIG. 5 shows a top view thereof;

FIG. 6 shows a bottom view thereof;

FIG. 7 shows a front perspective view from the top left side
 thereof;

FIG. 8 shows a front perspective view from the top right side
 thereof;

FIG. 9 shows a front perspective view from the bottom left
 side thereof;

FIG. 10 shows a front perspective view from the bottom
 right side thereof;

FIG. 11 shows a rear perspective view from the top left side
 thereof;

FIG. 12 shows a rear perspective view from the top right side
 thereof;

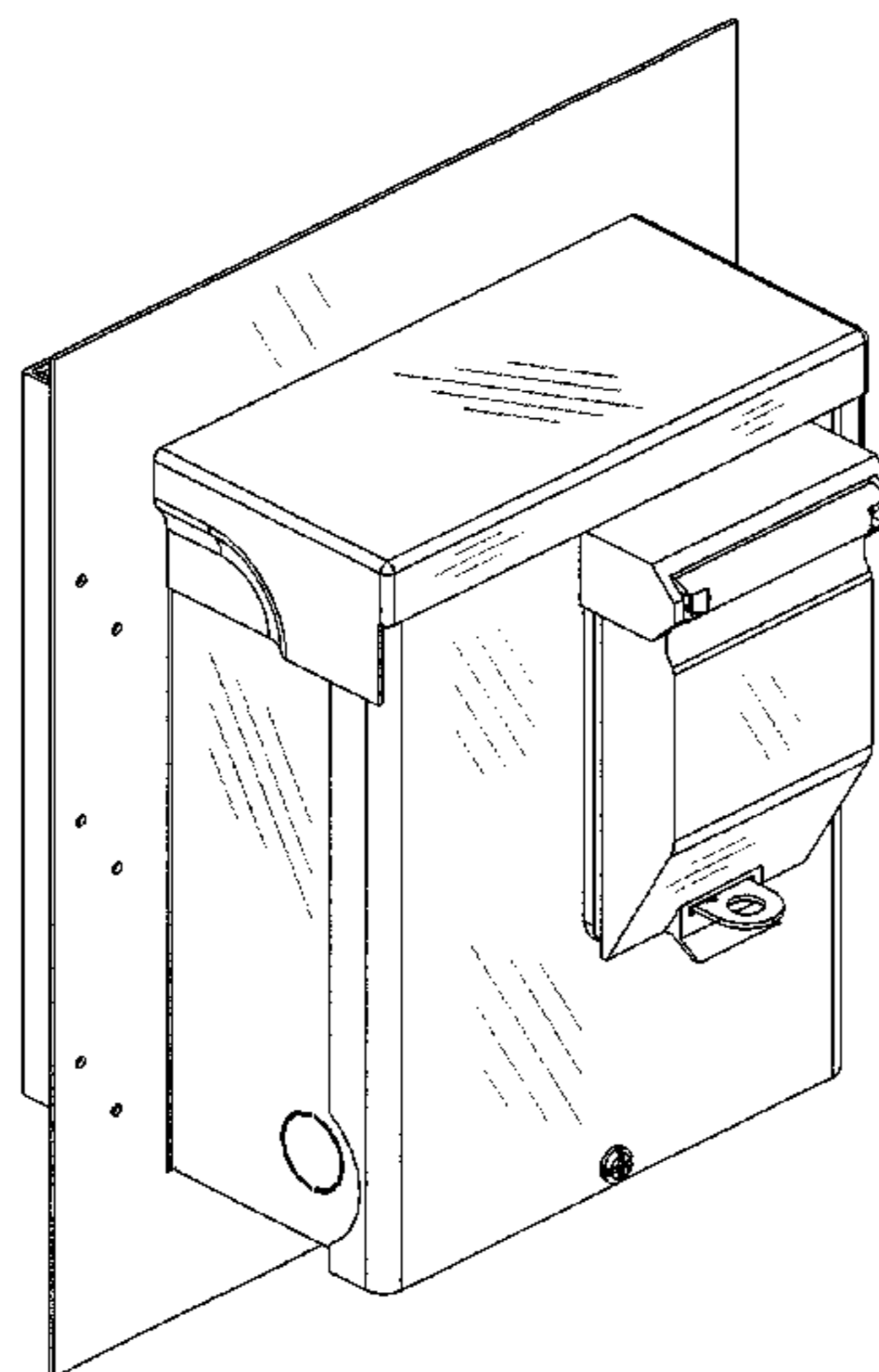
FIG. 13 shows a rear perspective view from the bottom left
 side thereof;

FIG. 14 shows a rear perspective view from the bottom right
 side thereof;

FIG. 15 shows a left side view thereof, with the access cover
 in the open position; and,

FIG. 16 shows a front view thereof, with the access cover in
 the open position.

1 Claim, 16 Drawing Sheets



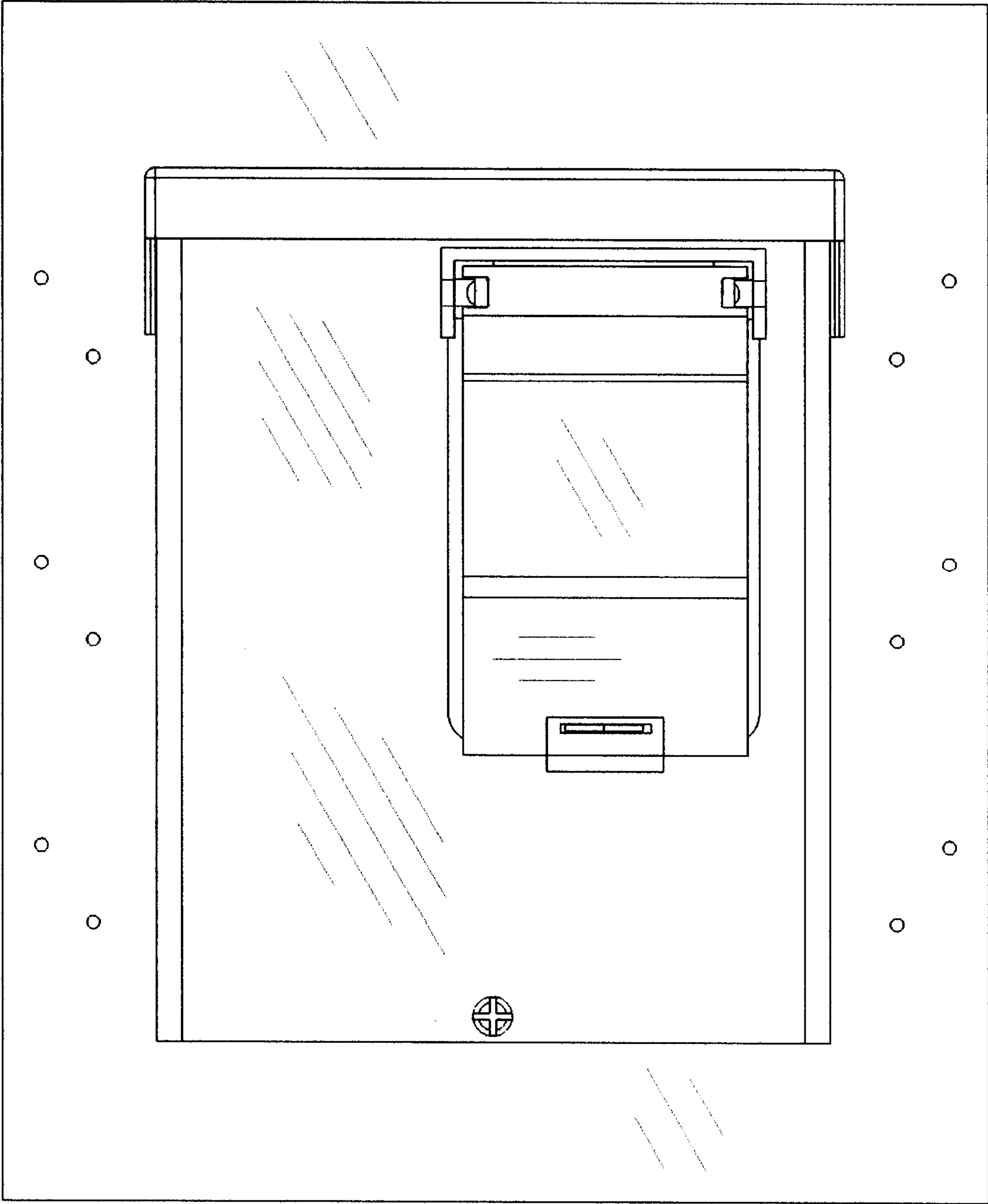


FIG. 1

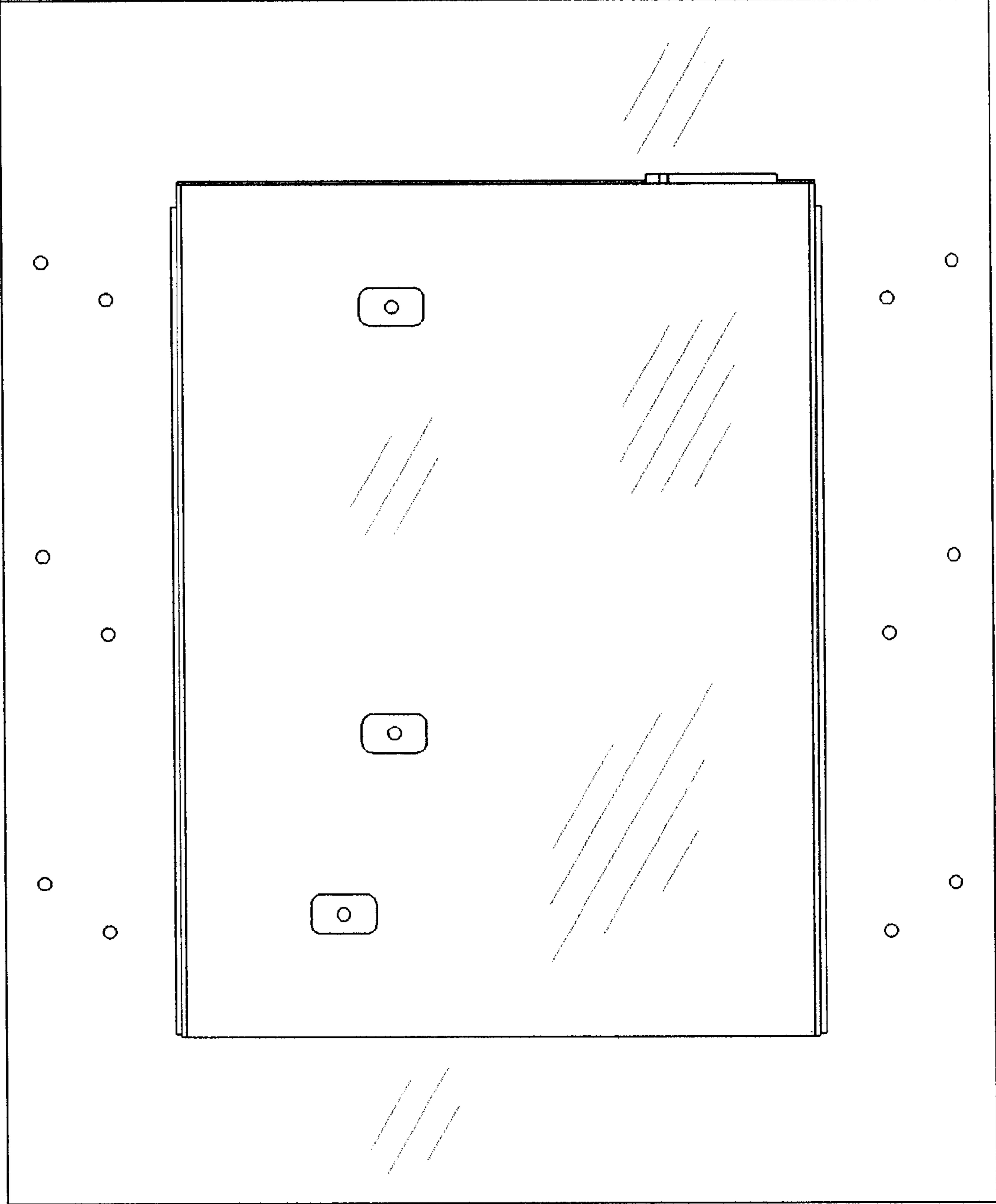


FIG. 2

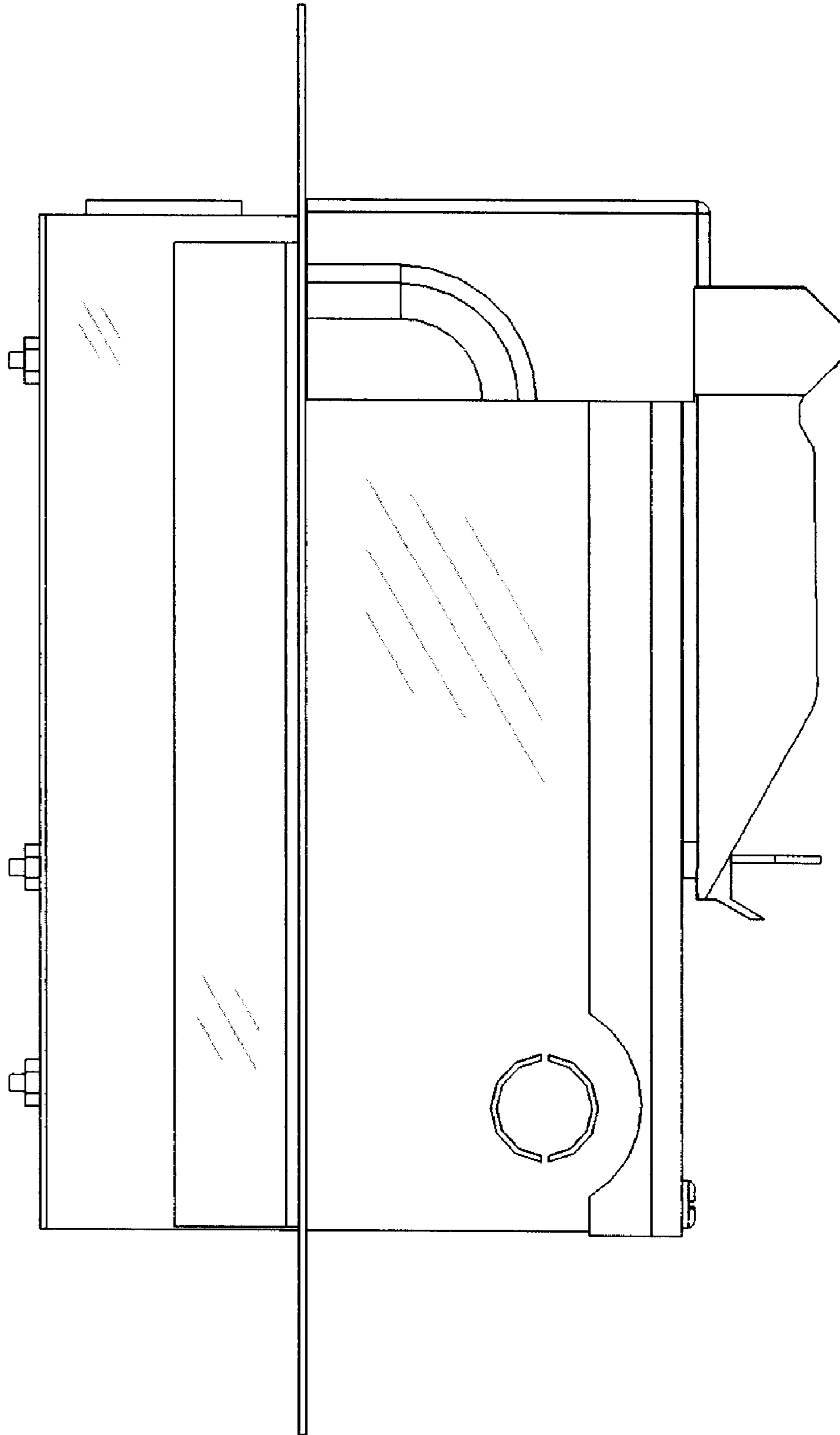


FIG. 3

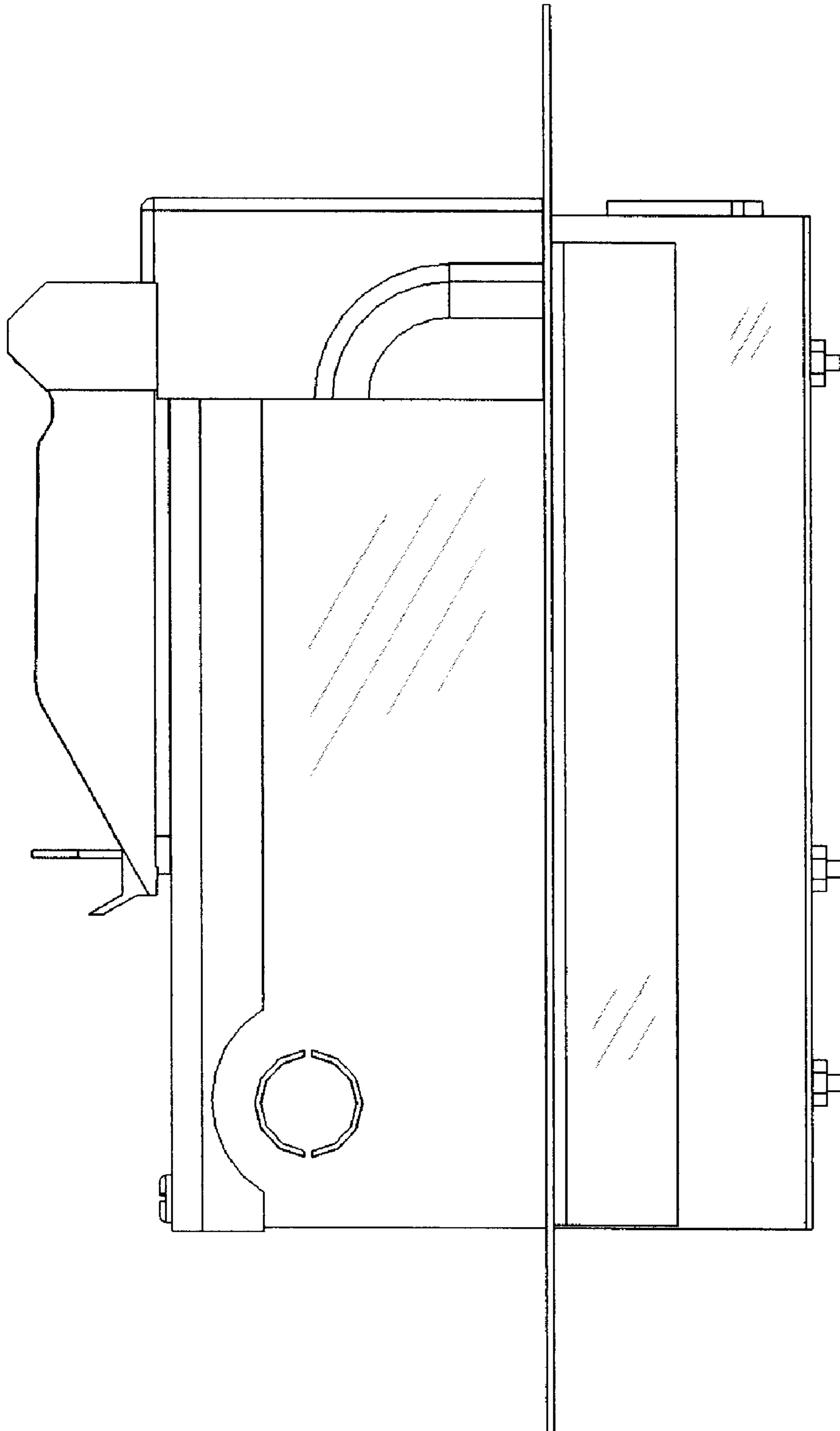


FIG. 4

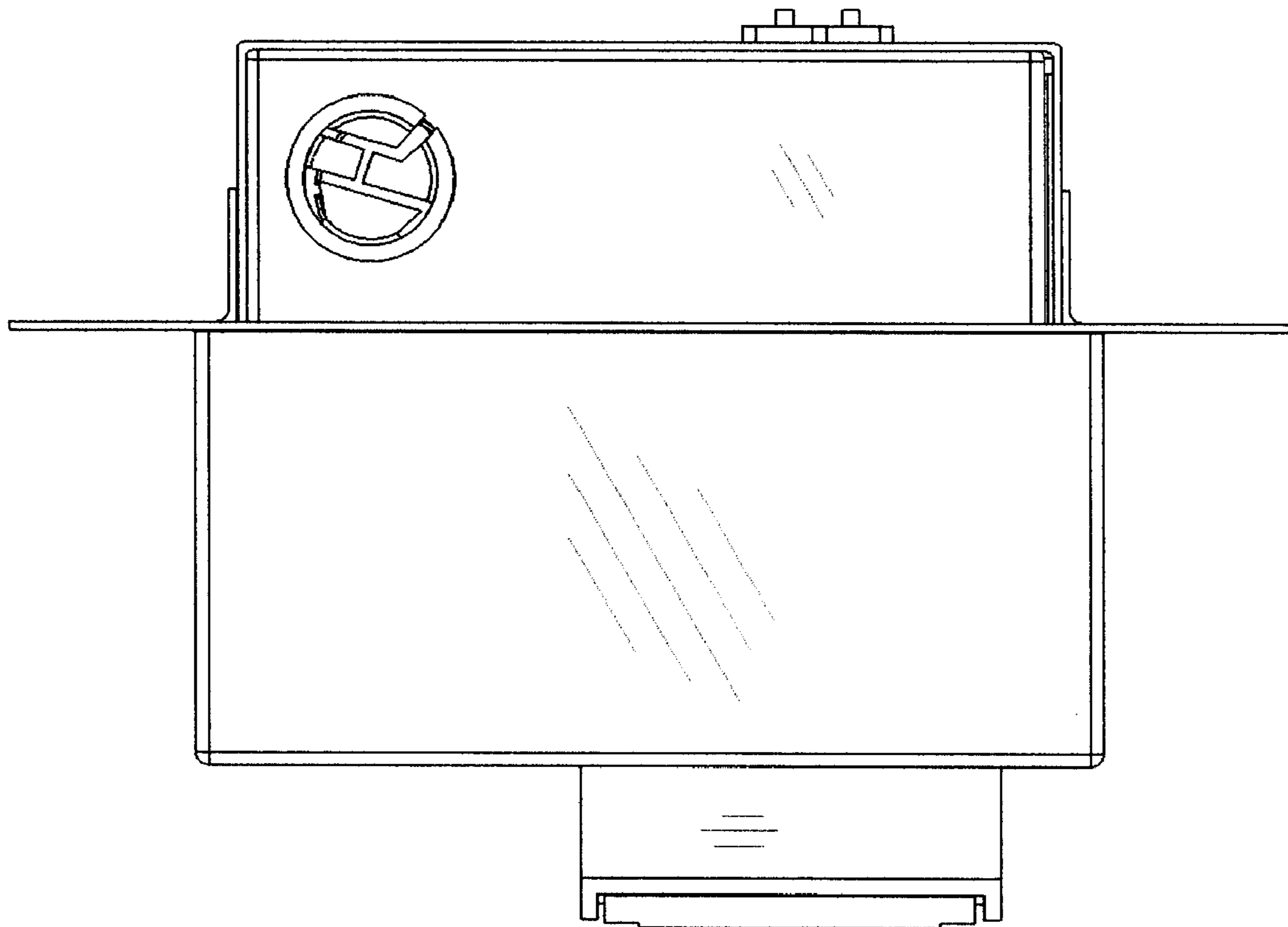


FIG. 5

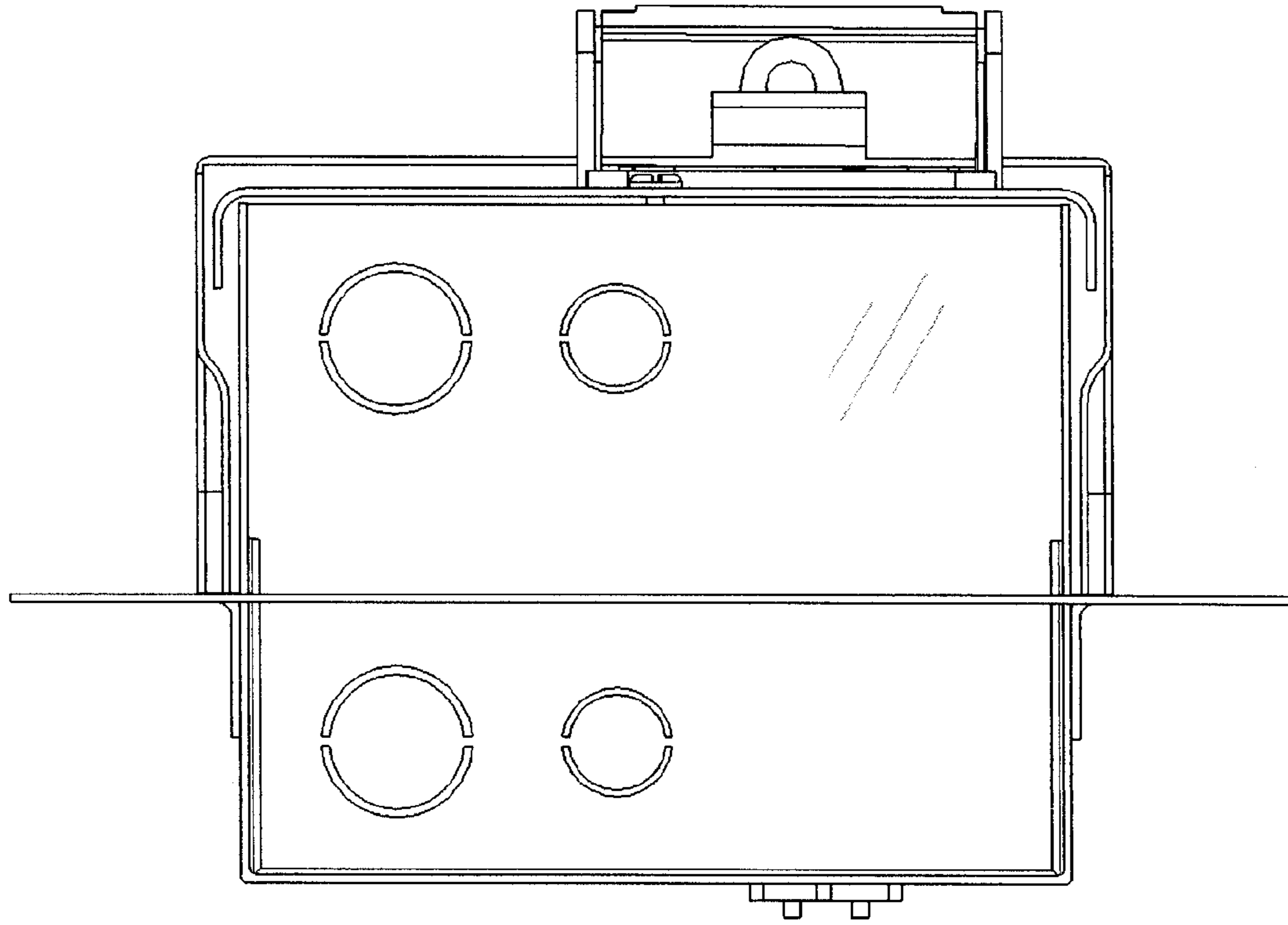


FIG. 6

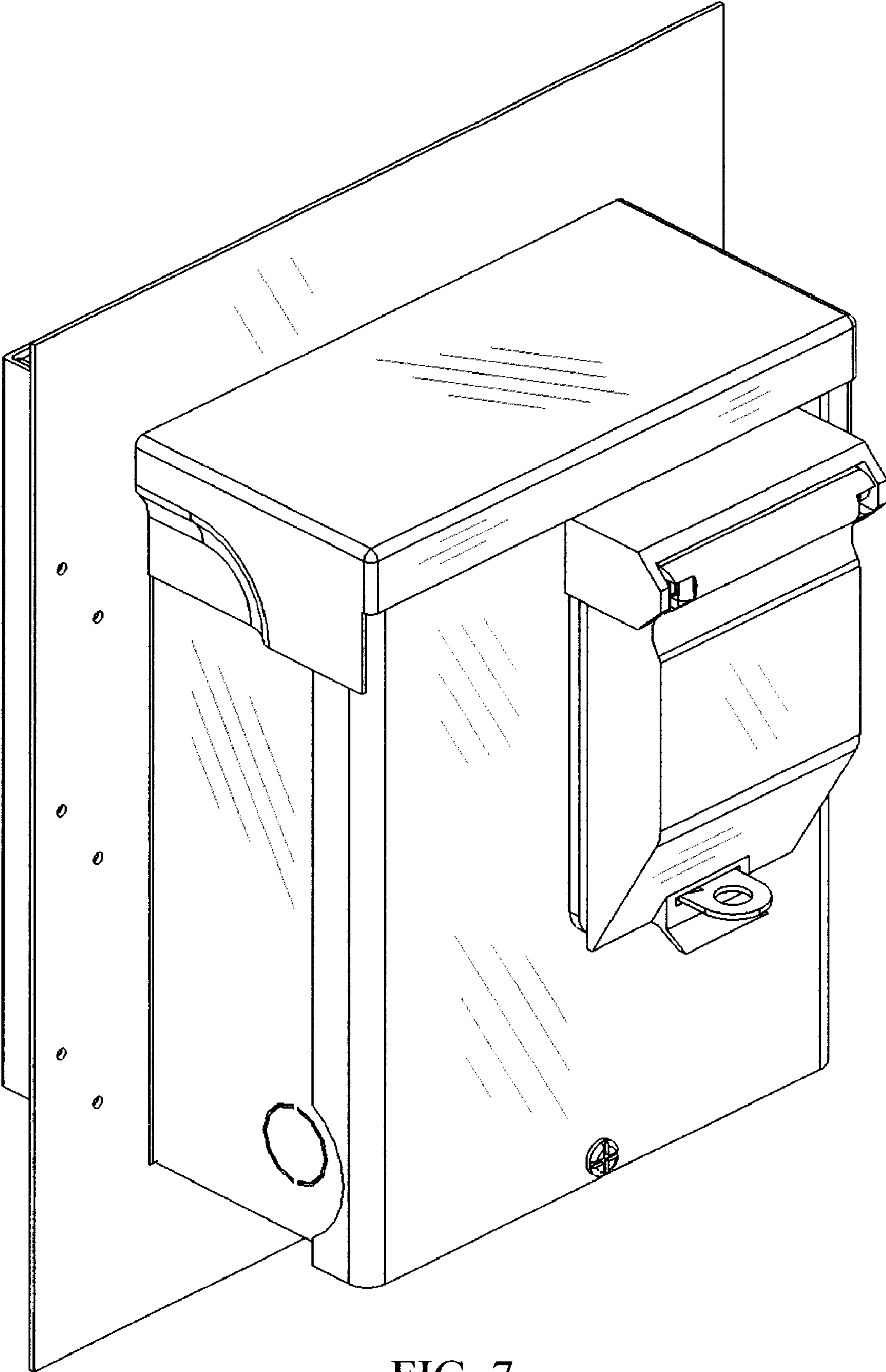


FIG. 7

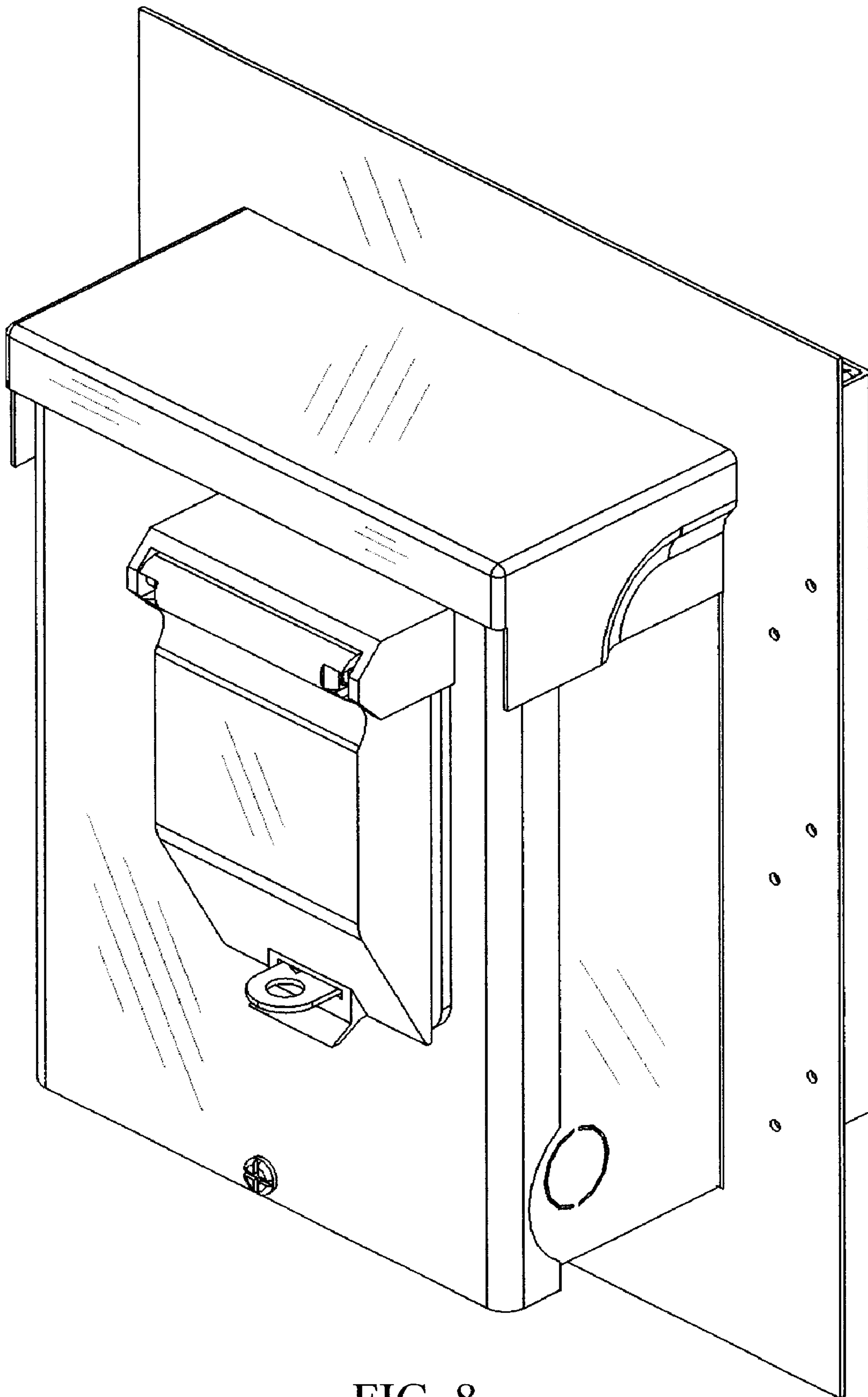


FIG. 8

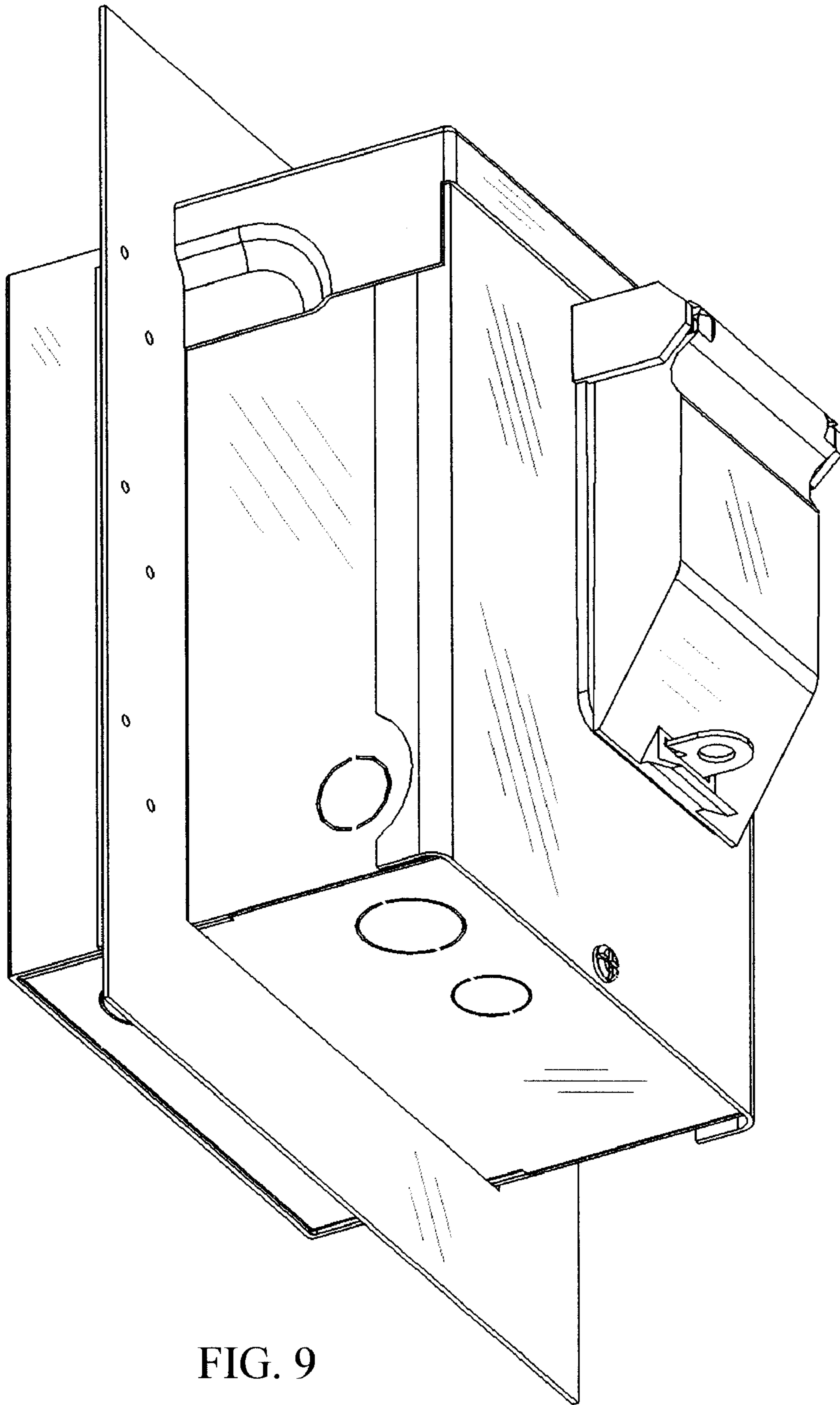


FIG. 9

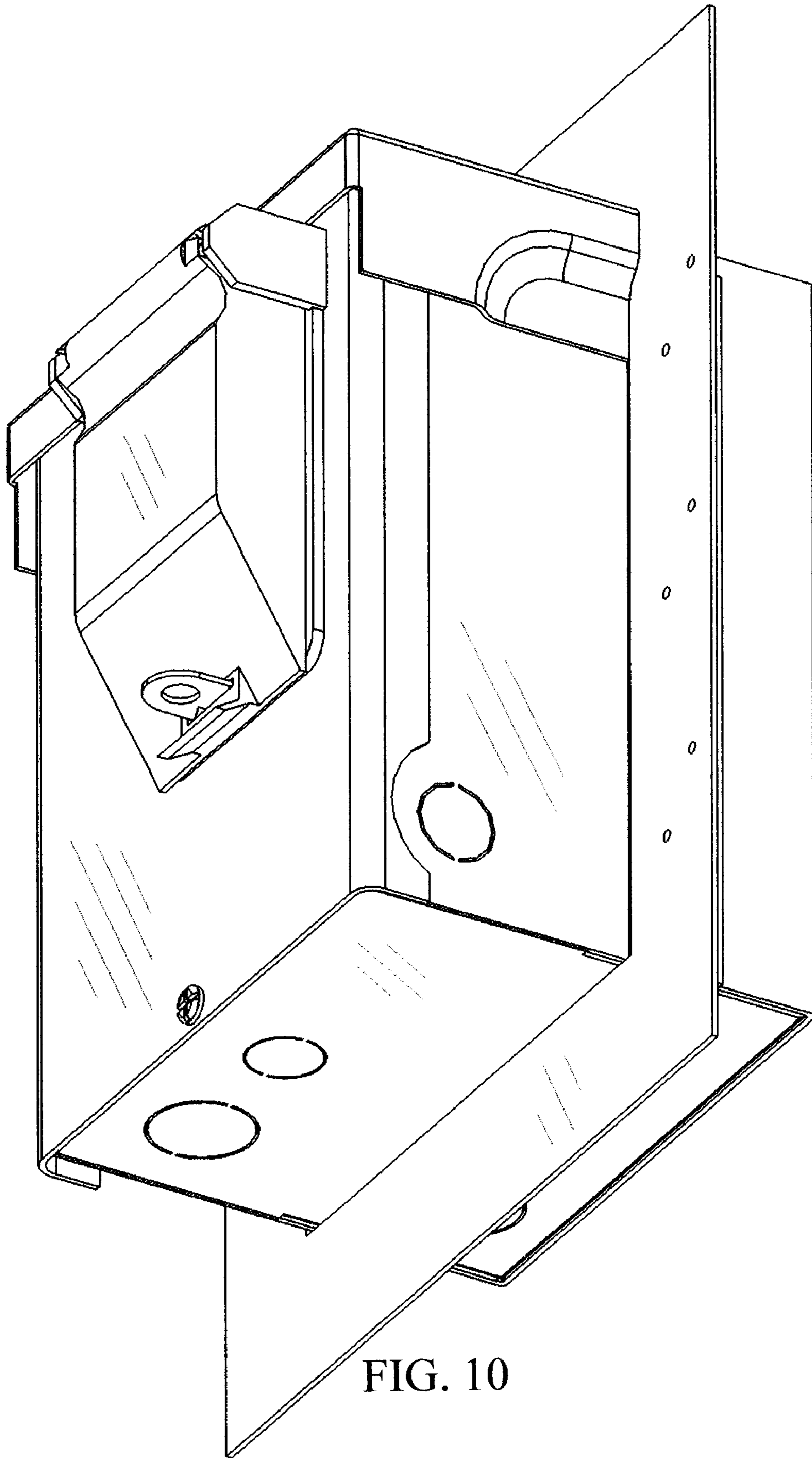


FIG. 10

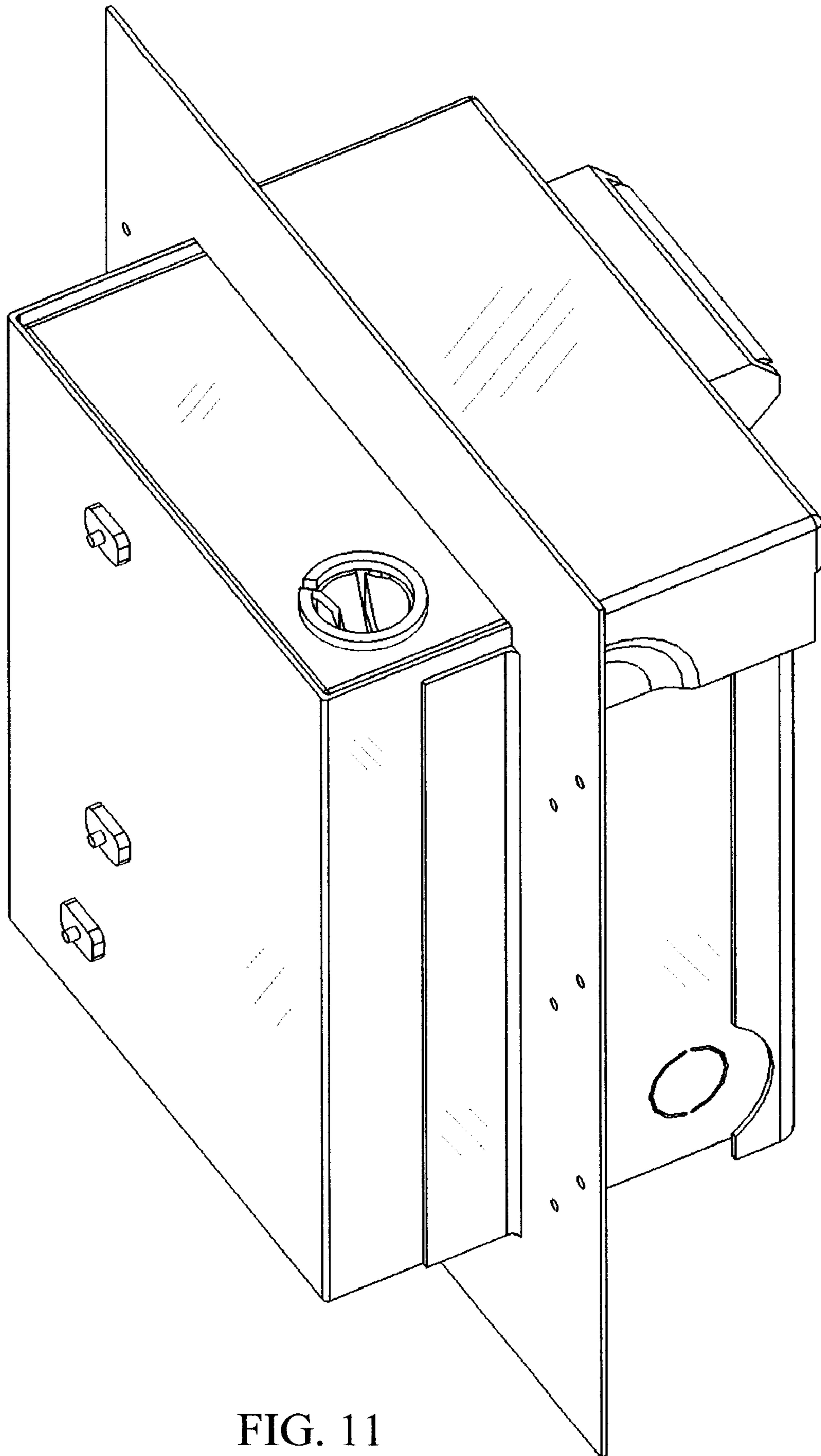


FIG. 11

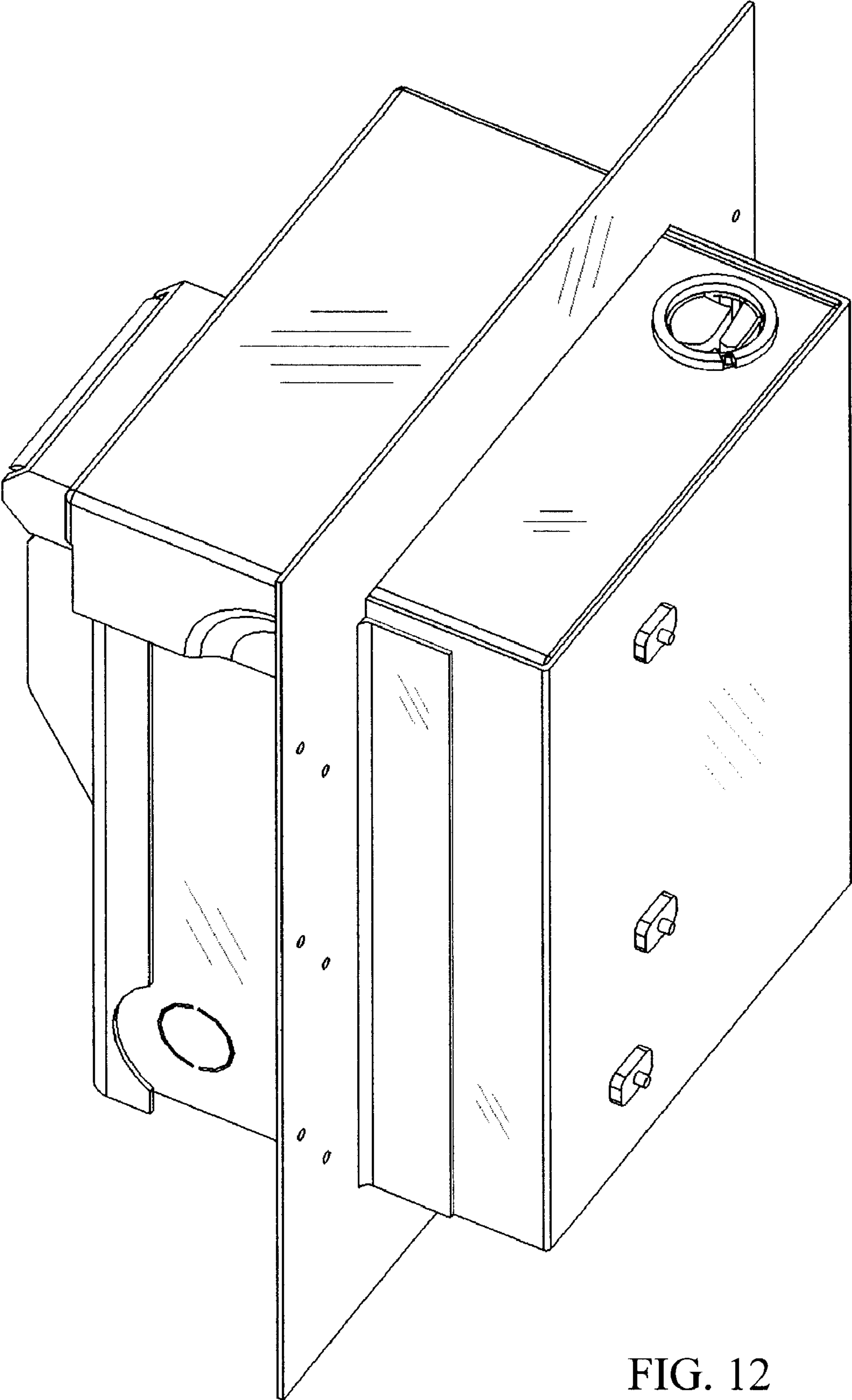


FIG. 12

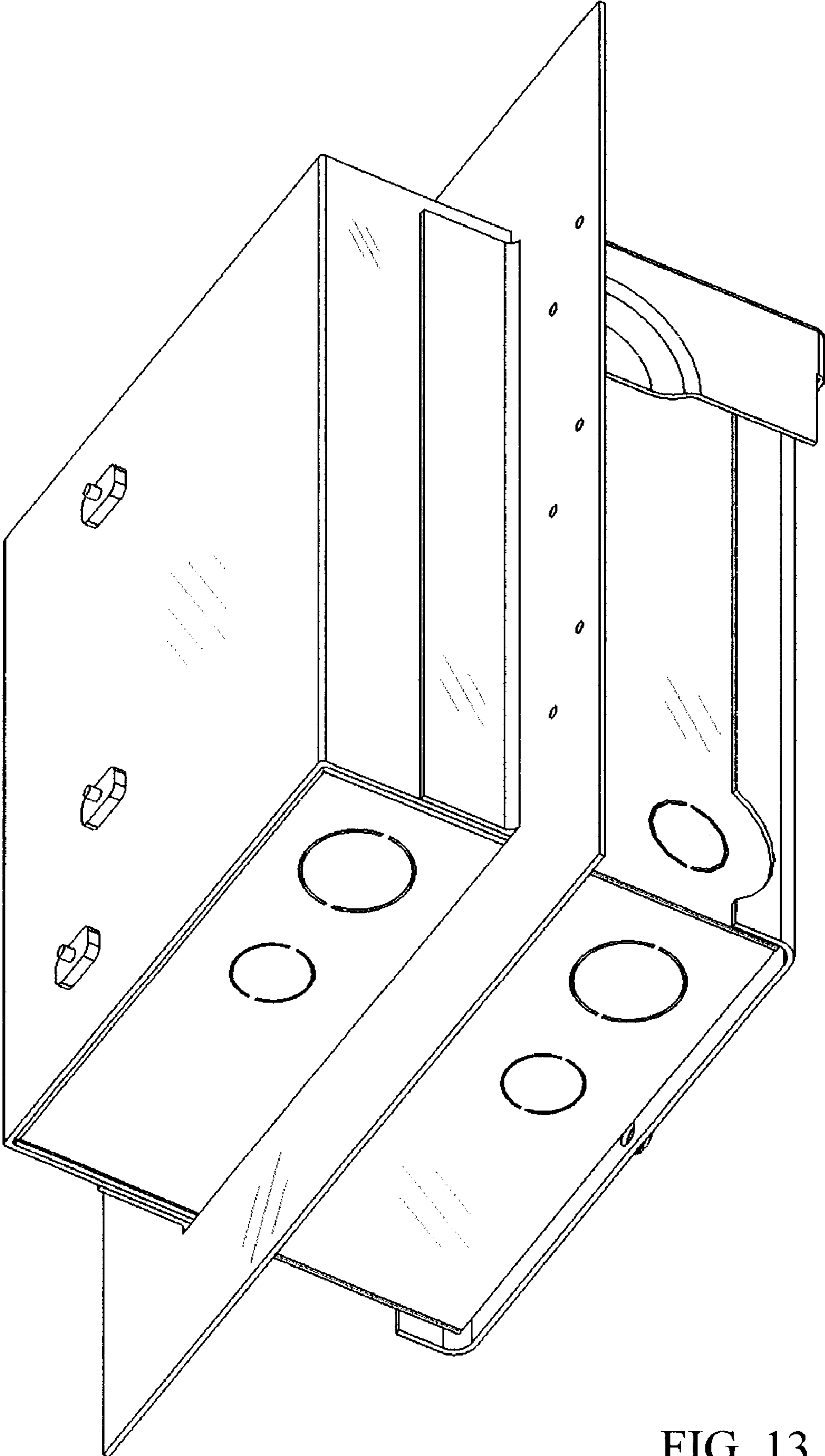


FIG. 13

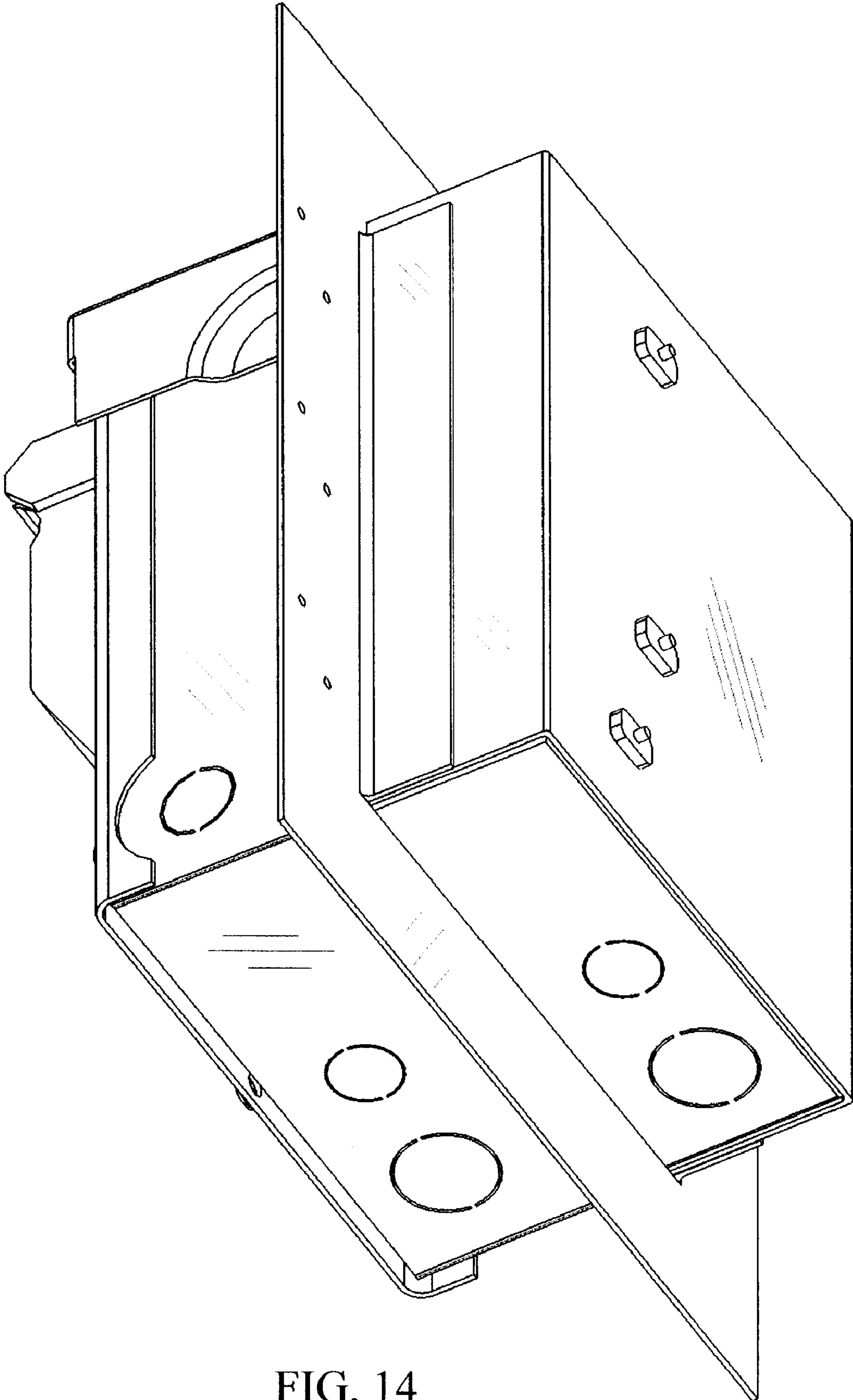


FIG. 14

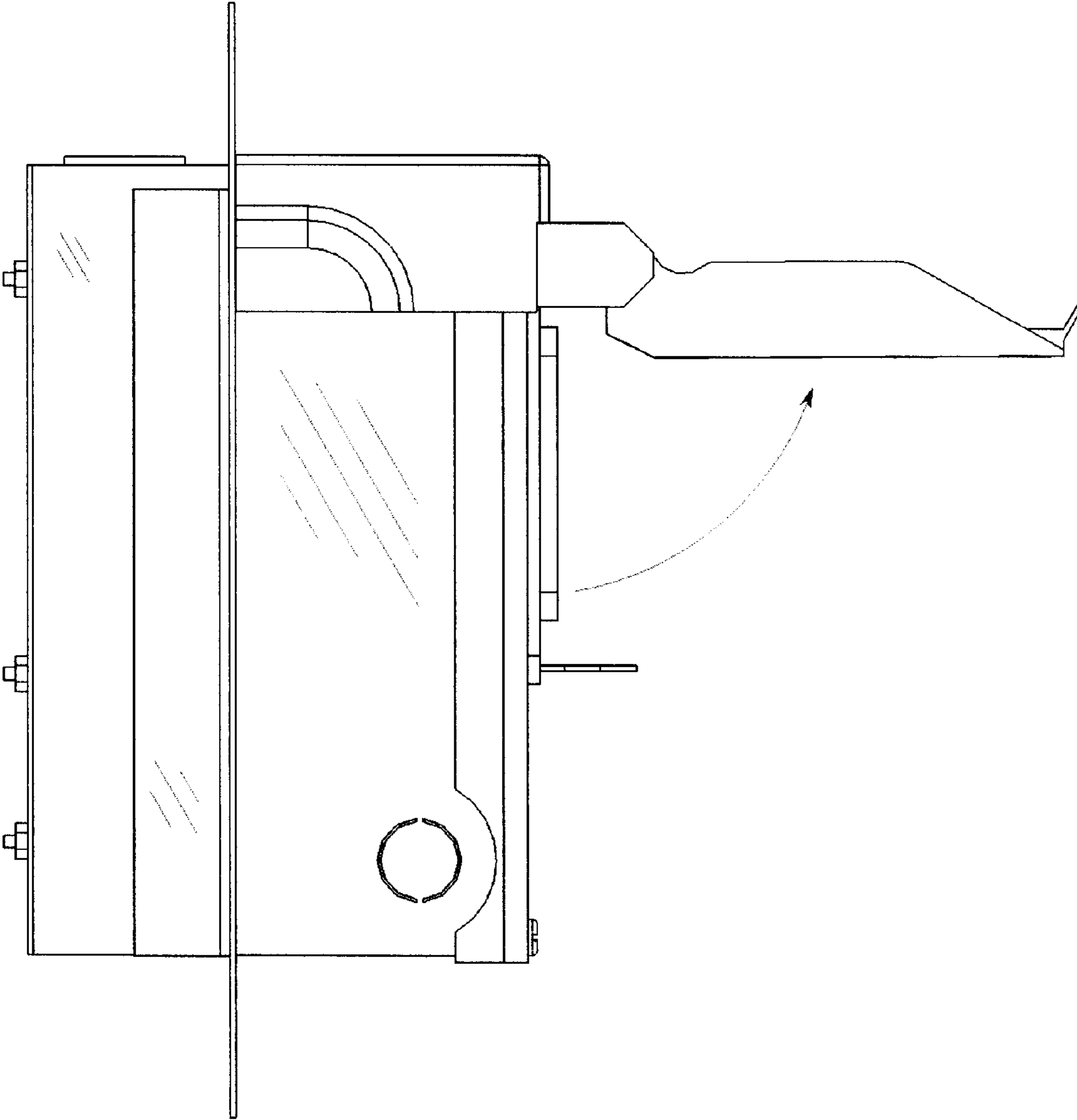


FIG. 15

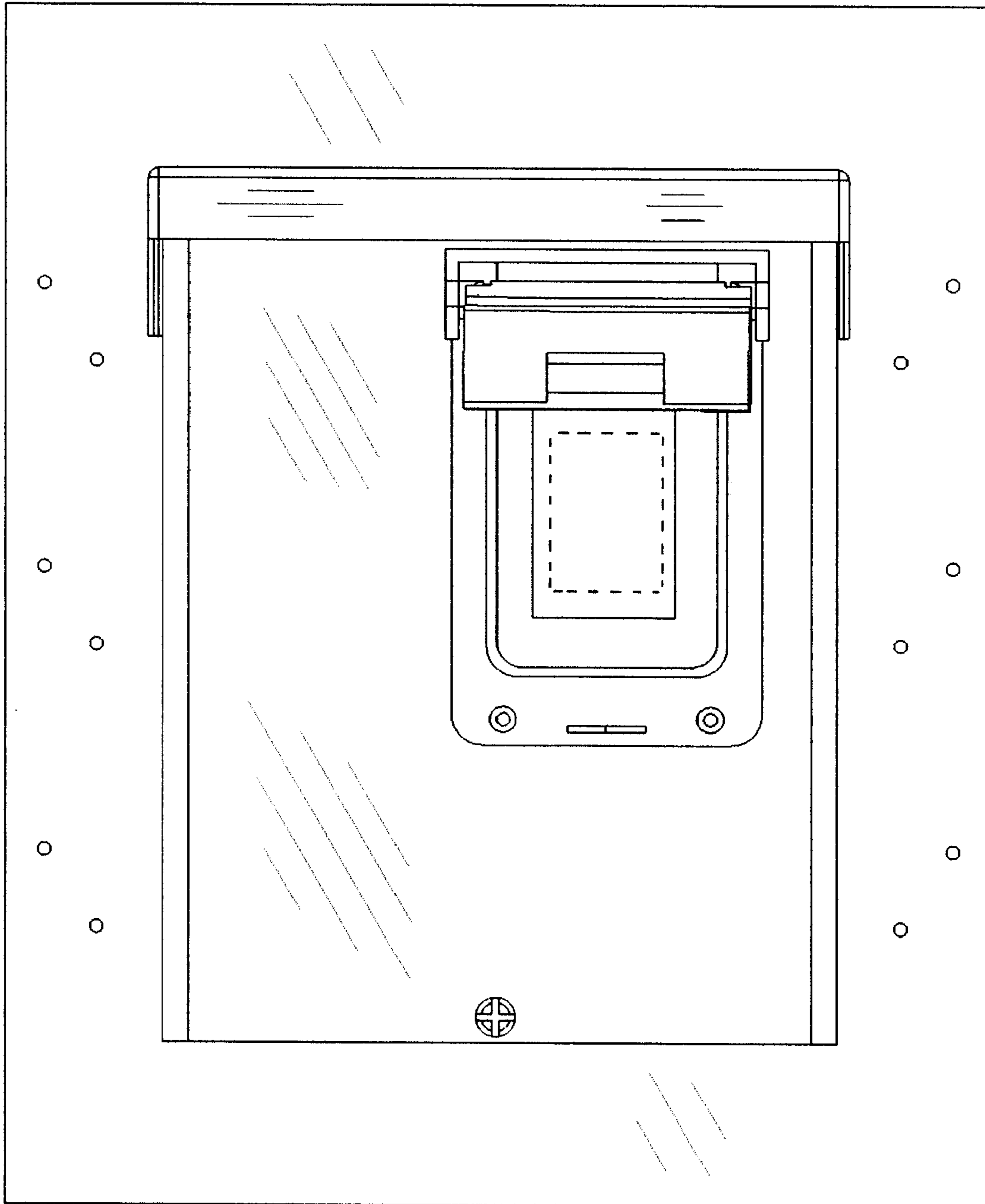


FIG. 16