



US00D515044S

(12) **United States Design Patent** (10) **Patent No.:** **US D515,044 S**
Ishida (45) **Date of Patent:** **** Feb. 14, 2006**

(54) **LIGHT EMITTING DIODE**

D491,538 S 6/2004 Ishida
2002/0149314 A1 10/2002 Takahashi et al.

(75) Inventor: **Masashi Ishida**, Naka-gun (JP)

FOREIGN PATENT DOCUMENTS

(73) Assignee: **Nichia Corporation**, Anan (JP)

JP	D984224-1 S	10/1997
JP	D1077515 S	7/2000
JP	D1170087 S	4/2003
JP	D1170881 S	4/2003
JP	D1171195 S	4/2003
JP	D1171196 S	4/2003
JP	D1171709 S	4/2003
JP	D1171710 S	4/2003
KR	30-0294490 S	3/2002
KR	30-0294490-1 S	3/2002

(**) Term: **14 Years**

(21) Appl. No.: **29/226,394**

(22) Filed: **Mar. 29, 2005**

Related U.S. Application Data

(62) Division of application No. 29/183,017, filed on Jun. 5, 2003, now Pat. No. Des. 504,873.

Primary Examiner—Stella Reid
Assistant Examiner—Selina Sikder
(74) *Attorney, Agent, or Firm*—Smith Patent Office

(51) **LOC (8) Cl.** **13-03**

(52) **U.S. Cl.** **D13/180**

(58) **Field of Classification Search** D13/180,
D13/182; 257/76, 79, 88, 89, 93–99, 434,
257/676, 678, 687, 690, 698, 787; 313/498,
313/499, 500; 361/760, 820; 362/226, 241,
362/249, 250, 307, 555, 800

See application file for complete search history.

(57) **CLAIM**

I claim the ornamental design for a light emitting diode, as shown and described.

DESCRIPTION

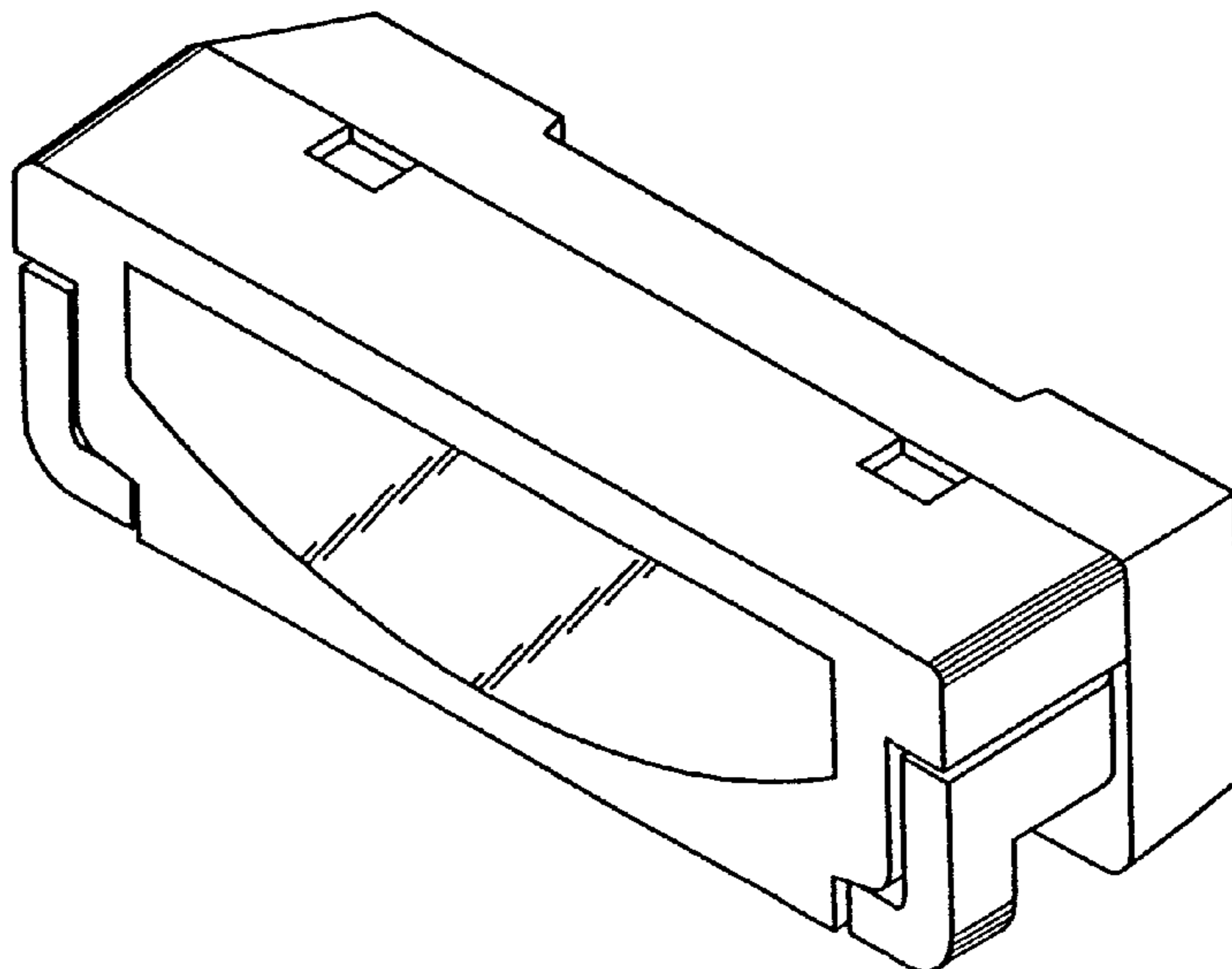
FIG. 1 is a perspective view of a light emitting diode showing my new design;
FIG. 2 is a plan view of the light emitting diode according to the embodiment of FIG. 1;
FIG. 3 is a left view of the light emitting diode according to the embodiment of FIG. 1;
FIG. 4 is a front elevational view of the light emitting diode according to the embodiment of FIG. 1;
FIG. 5 is a right view of the light emitting diode according to the embodiment of FIG. 1;
FIG. 6 is a bottom plan view of the light emitting diode according to the embodiment of FIG. 1; and,
FIG. 7 is a rear elevational view of the light emitting diode according to the embodiment of FIG. 1.

(56) **References Cited**

U.S. PATENT DOCUMENTS

D482,337 S	11/2003	Kamada
D489,677 S	5/2004	Ishida
D489,690 S	5/2004	Ishida
D489,691 S	5/2004	Ishida
D489,692 S	5/2004	Ishida
D489,693 S	5/2004	Ishida
D490,062 S	5/2004	Ishida
D490,384 S	5/2004	Ishida
D490,385 S	5/2004	Ishida
D490,386 S	5/2004	Ishida
D490,783 S	6/2004	Ishida
D490,784 S	6/2004	Ishida

1 Claim, 2 Drawing Sheets



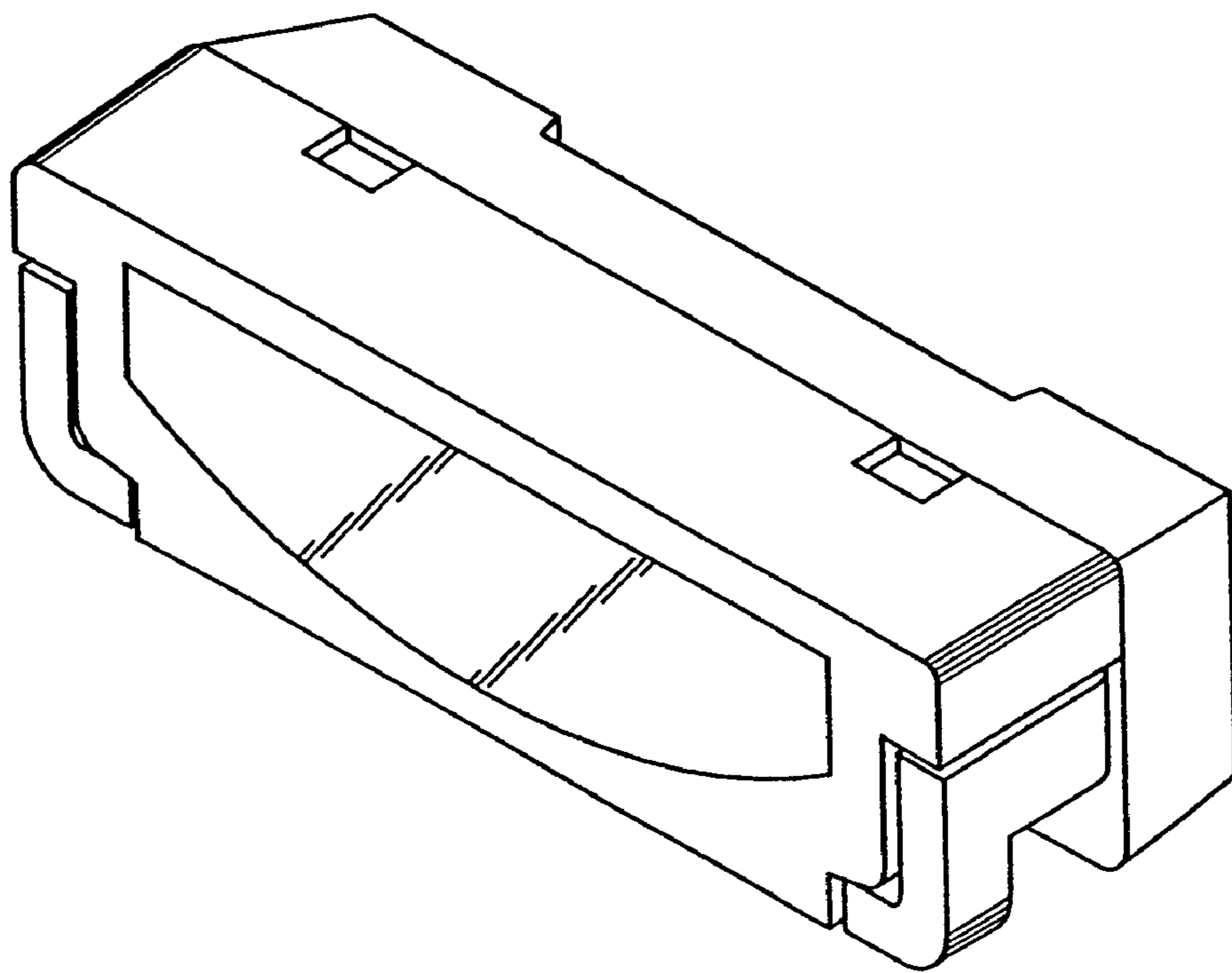


FIG. 1

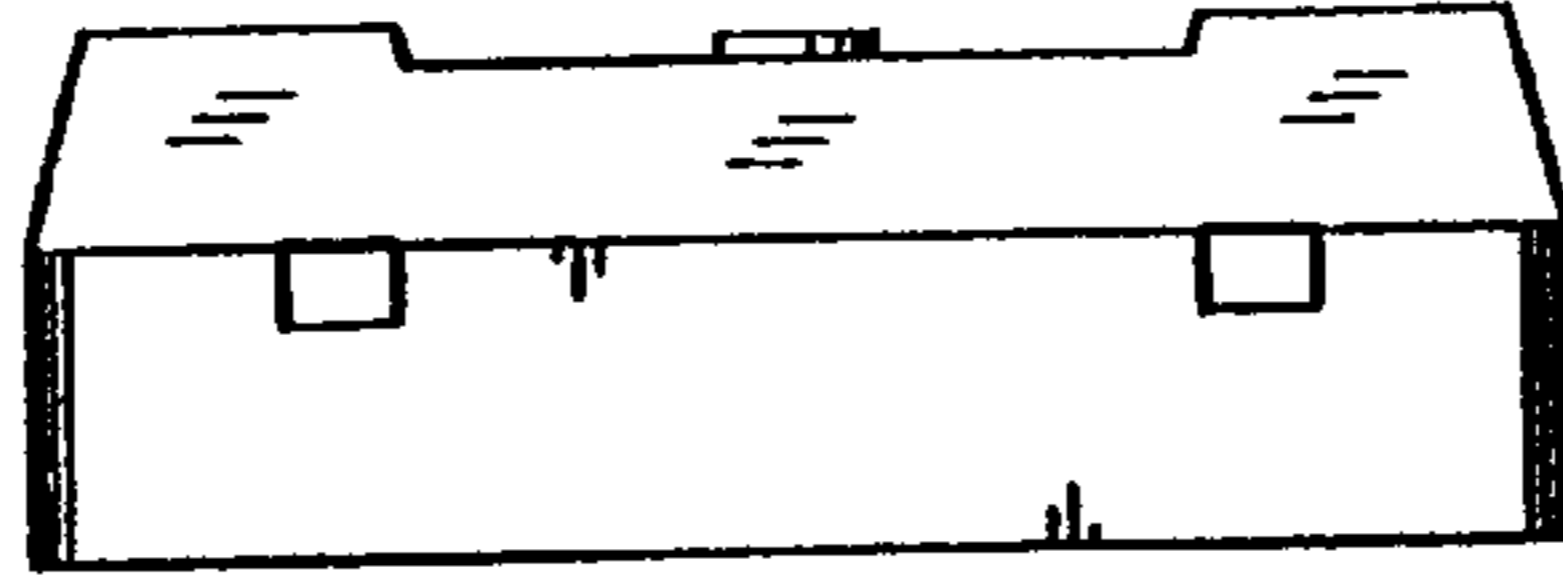


FIG. 2

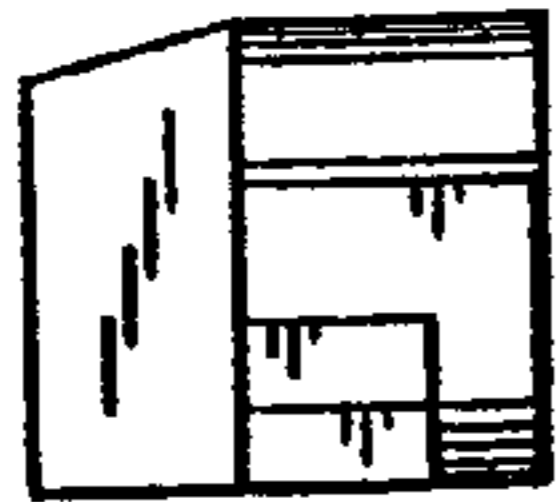


FIG. 3

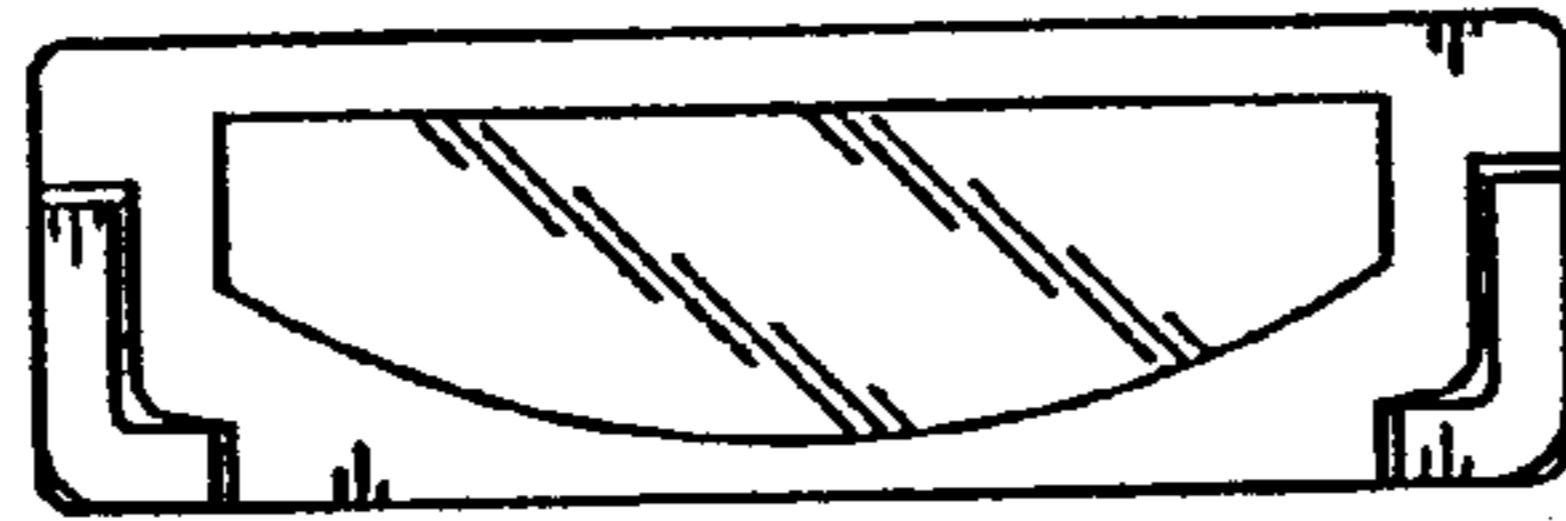


FIG. 4

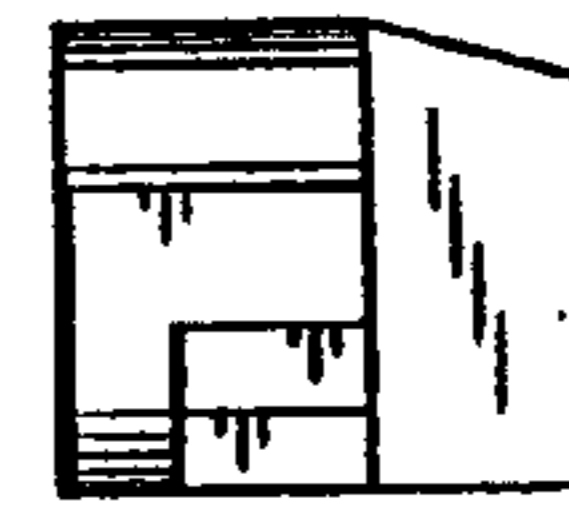


FIG. 5

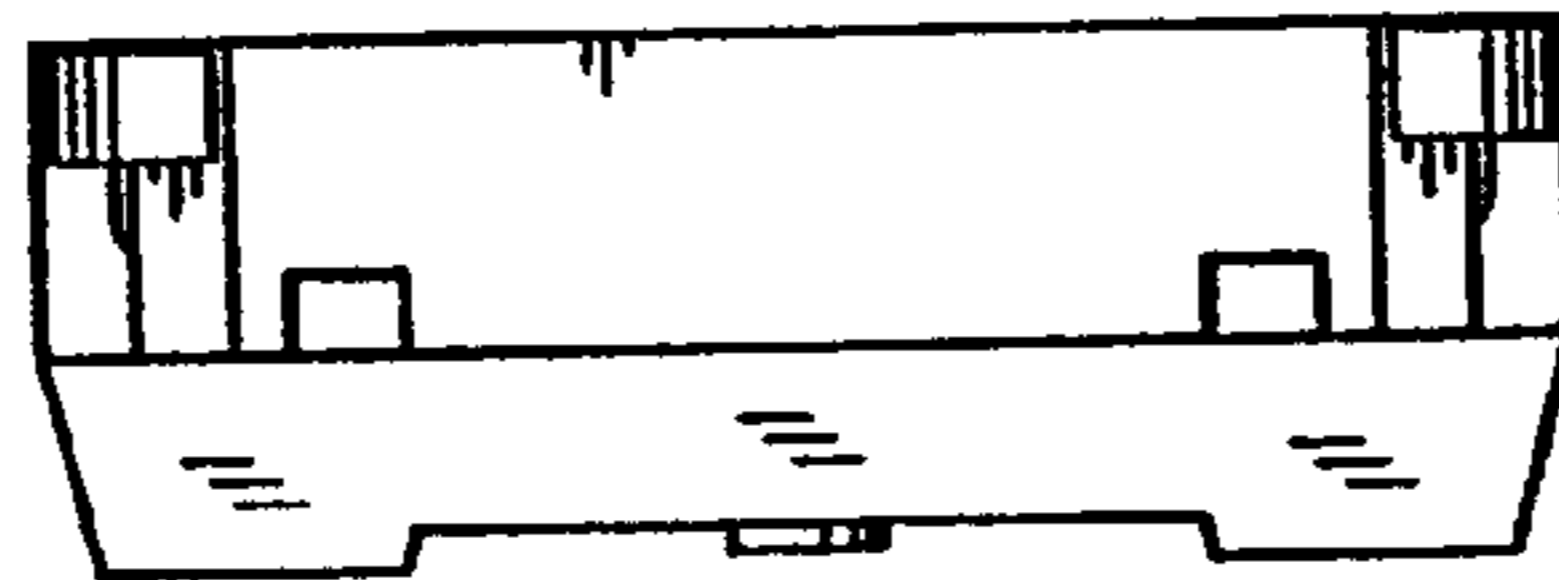


FIG. 6

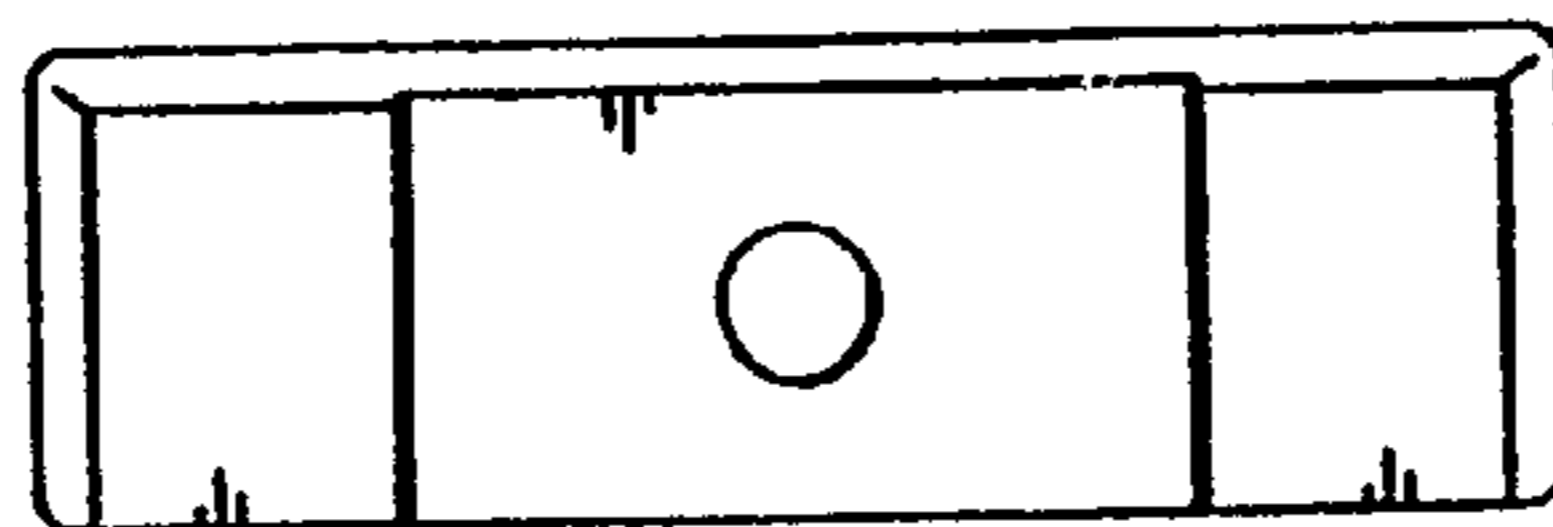


FIG. 7