



US00D515040S

(12) **United States Design Patent**
Jones et al.

(10) **Patent No.:** **US D515,040 S**

(45) **Date of Patent:** **** Feb. 14, 2006**

(54) **TRANSMITTER**

(75) Inventors: **Mark W. Jones**, Long Beach, CA (US);
Michael Chen, Taipei Hsien (TW)

(73) Assignee: **Magnadyne Corporation**, Compton,
CA (US)

(**) Term: **14 Years**

(21) Appl. No.: **29/212,040**

(22) Filed: **Aug. 25, 2004**

(51) **LOC (8) Cl.** **13-03**

(52) **U.S. Cl.** **D13/168**

(58) **Field of Classification Search** D13/168,
D13/208; D10/78, 104, 106; D14/218, 247;
340/825.22, 825.24, 825.25, 825.31, 825.36,
340/825.69, 825.72; 348/734; 379/102.01,
379/102.03; 455/100, 128, 151.1-151.4,
455/352-355

See application file for complete search history.

(56) **References Cited**

U.S. PATENT DOCUMENTS

D301,332 S * 5/1989 Schwartz D13/168

5,351,051 A * 9/1994 Yano et al. 341/176
D351,828 S * 10/1994 Pucci et al. D13/168
D356,746 S * 3/1995 Dziersk et al. D10/104
5,619,074 A * 4/1997 Berch et al. 307/10.2
5,646,701 A * 7/1997 Duckworth et al. ... 340/825.69
D459,314 S * 6/2002 Flick D13/168

* cited by examiner

Primary Examiner—Stella Reid
Assistant Examiner—Selina Sikder

(74) *Attorney, Agent, or Firm*—Brooks Kushman P.C.

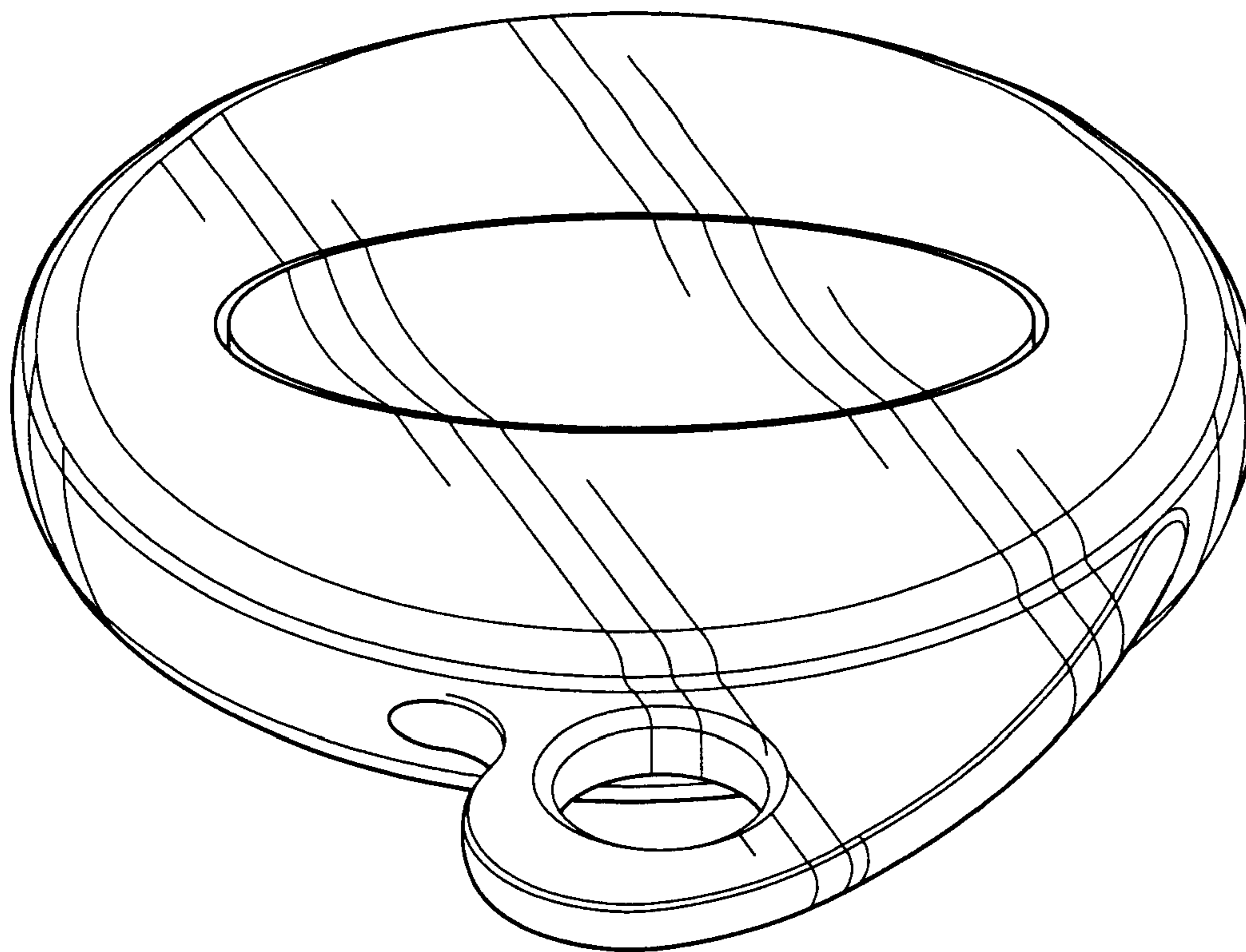
(57) **CLAIM**

The ornamental design for a transmitter, as shown and described.

DESCRIPTION

FIG. 1 is a perspective view of a transmitter made according to the present invention;
FIG. 2 is a right side elevation view thereof;
FIG. 3 is a left side elevation view thereof;
FIG. 4 is a front side elevation view thereof;
FIG. 5 is a bottom plan view thereof; and,
FIG. 6 is a top plan view thereof.

1 Claim, 2 Drawing Sheets



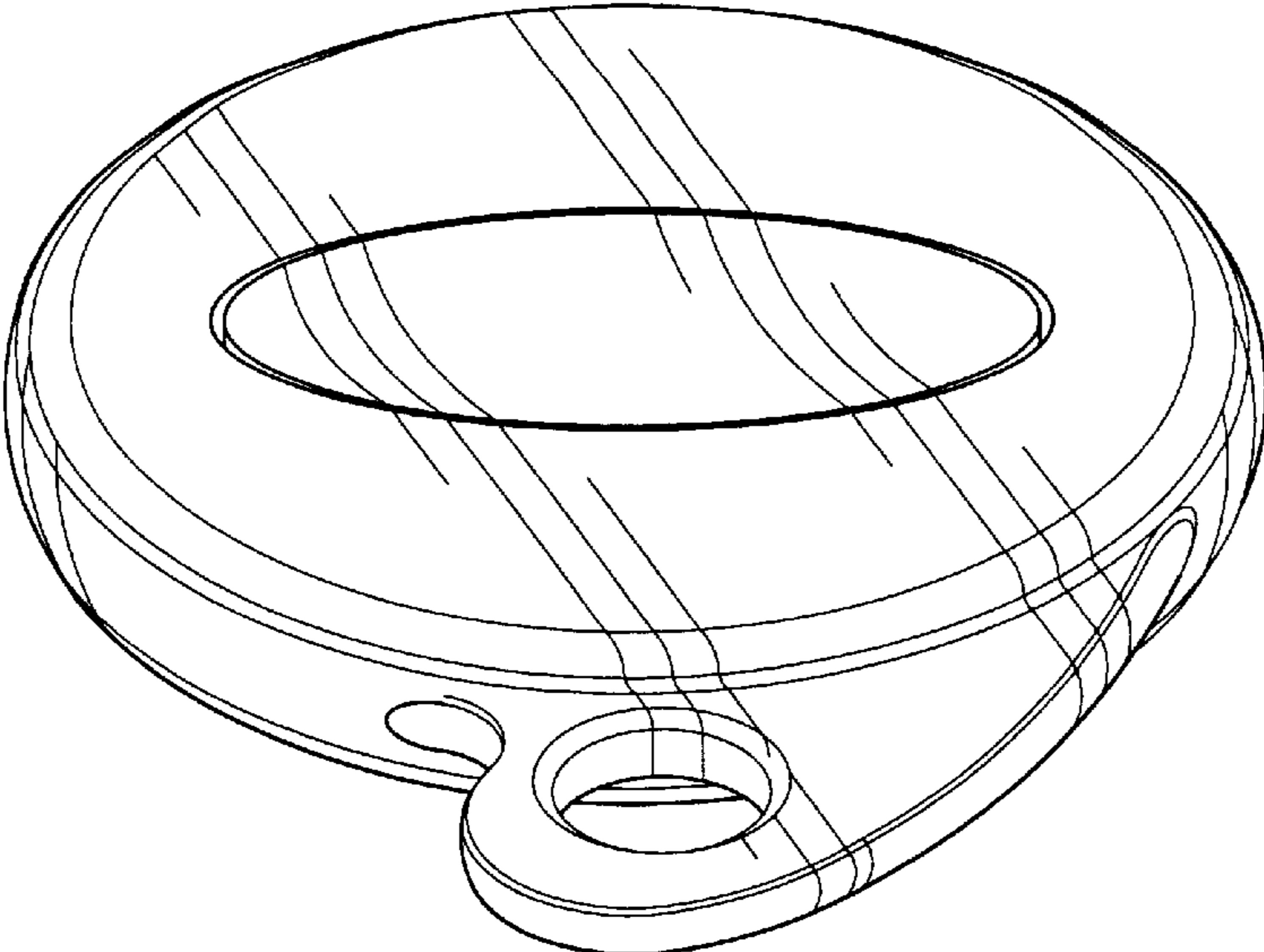


Fig-1

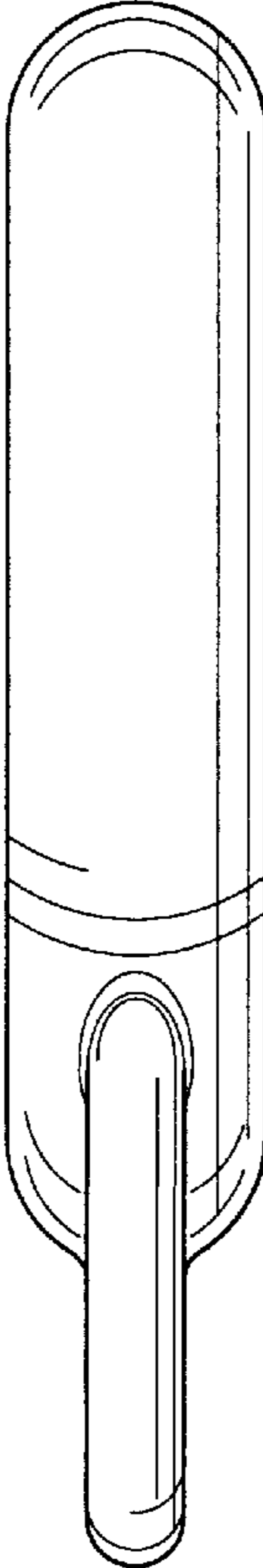


Fig-2

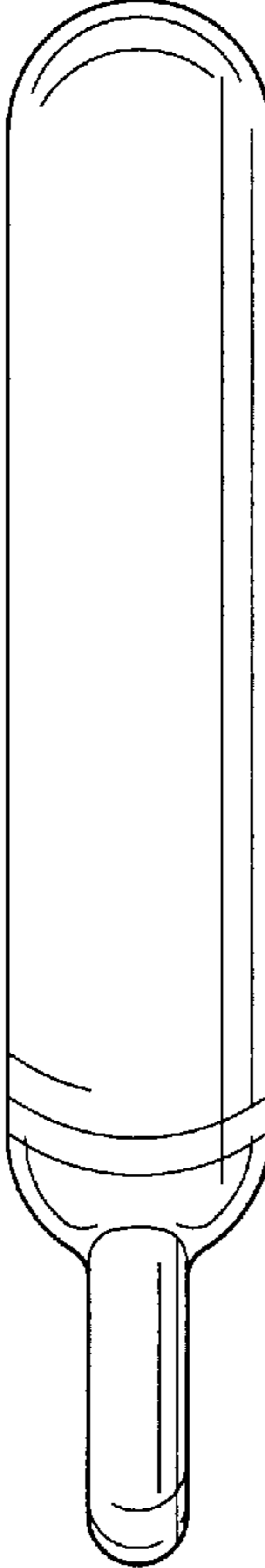


Fig-3

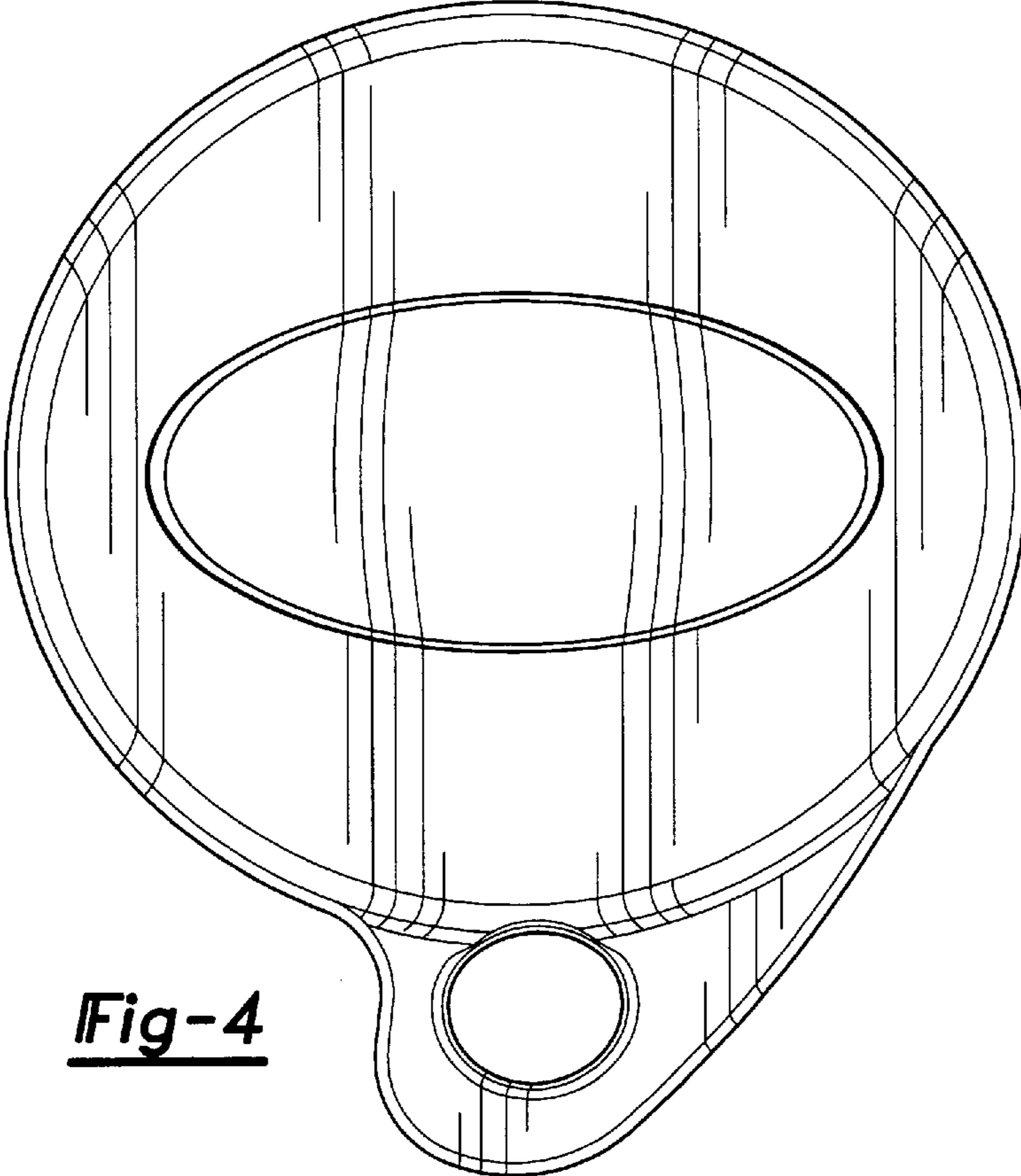


Fig-4

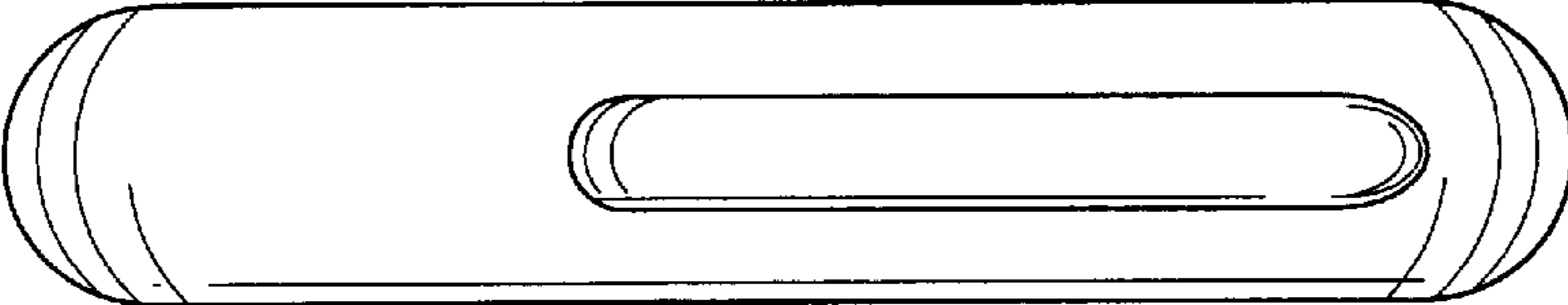


Fig-5



Fig-6