



US00D515039S

(12) **United States Design Patent**
Ingalsbe et al.

(10) **Patent No.:** **US D515,039 S**
(45) **Date of Patent:** **** Feb. 14, 2006**

(54) **CONTROLLER AND DISPLAY**

(75) Inventors: **Daryl Ingalsbe**, Blair, NE (US);
Douglas H. Ferguson, Eden Valley,
MN (US)

(73) Assignee: **Independent Technologies, Inc.**,
Omaha, NE (US)

(**) Term: **14 Years**

(21) Appl. No.: **29/217,033**

(22) Filed: **Nov. 12, 2004**

(51) **LOC (8) Cl.** **13-03**

(52) **U.S. Cl.** **D13/162; D13/168**

(58) **Field of Classification Search** D13/162,
D13/168; D10/49; D14/356, 358, 388, 240;
312/223.2; 340/825.22, 825.24, 870.02; 361/661,
361/668, 680, 681; 379/106.04; 700/17, 18,
700/83; 705/412

See application file for complete search history.

(56) **References Cited**

U.S. PATENT DOCUMENTS

4,803,632 A * 2/1989 Frew et al. 705/412
5,153,837 A * 10/1992 Shaffer et al. 705/412

5,214,587 A * 5/1993 Green 702/60
D396,845 S * 8/1998 Caldes et al. D13/118
6,049,791 A * 4/2000 Lerner 705/412
D475,369 S * 6/2003 Bone et al. D14/301

* cited by examiner

Primary Examiner—Stella Reid
Assistant Examiner—Selina Sikder

(74) *Attorney, Agent, or Firm*—Skinner and Associates

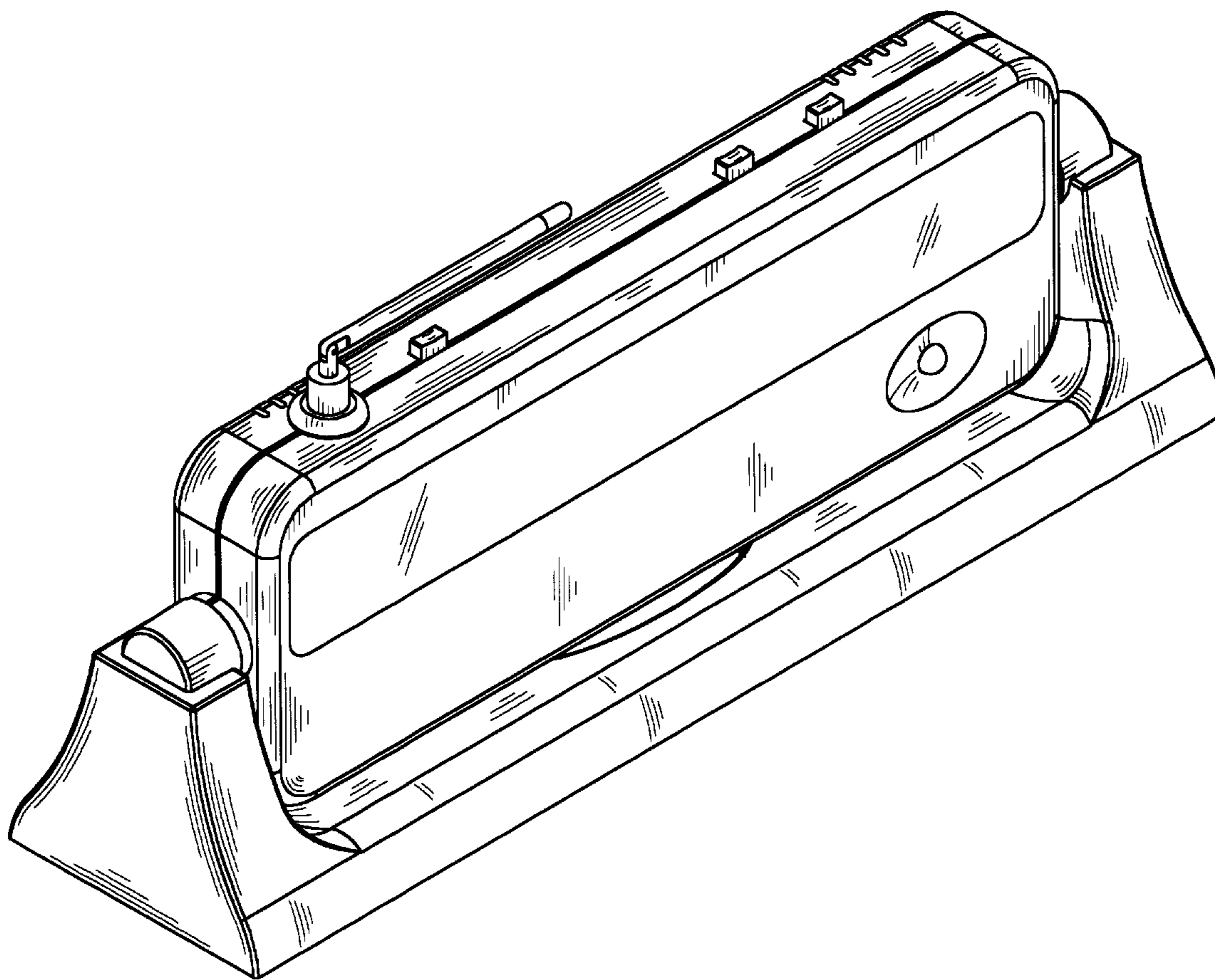
(57) **CLAIM**

The ornamental design for a controller and display, as shown and described.

DESCRIPTION

The design is for a control and display unit for use in an electronic propane fuel tank monitoring system or the like. FIG. 1 is a back, elevation view of the controller and display, showing an embodiment of the design of this invention. FIG. 2 is a top view thereof. FIG. 3 is a front view thereof. FIG. 4 is a bottom view thereof. FIG. 5 is an end view thereof. FIG. 6 is an opposite end view thereof. FIG. 7 is a perspective view thereof; and, FIG. 8 is another perspective view thereof.

1 Claim, 5 Drawing Sheets



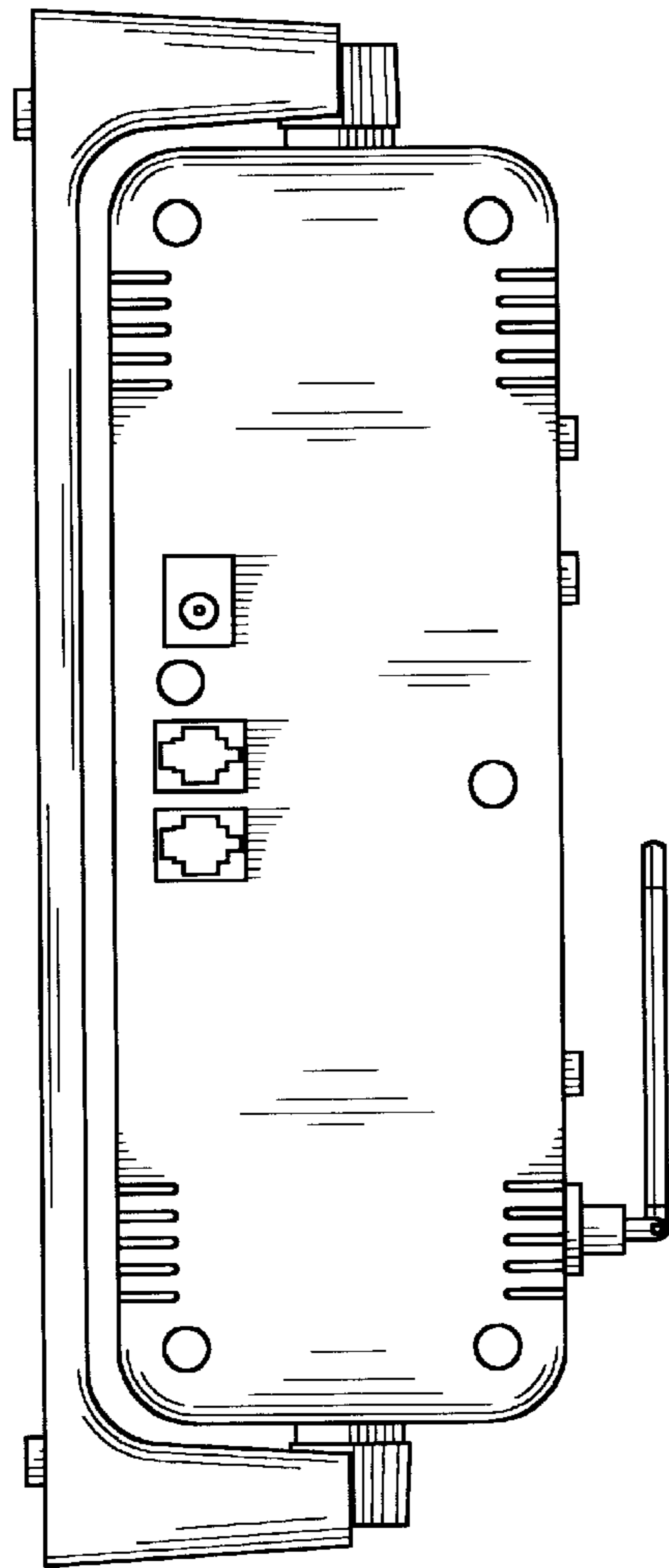


FIG. 1

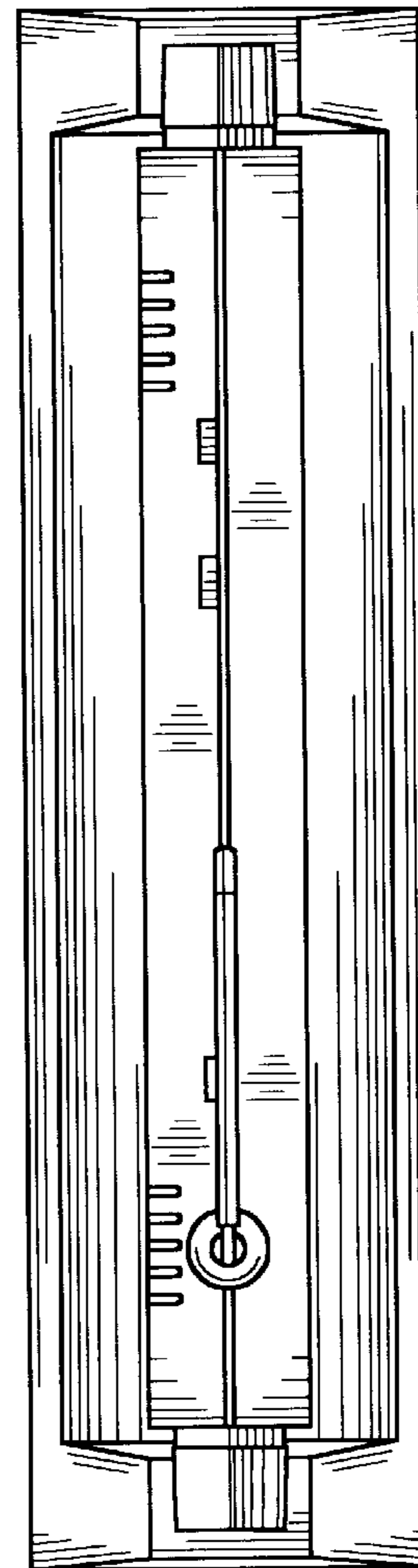


FIG. 2

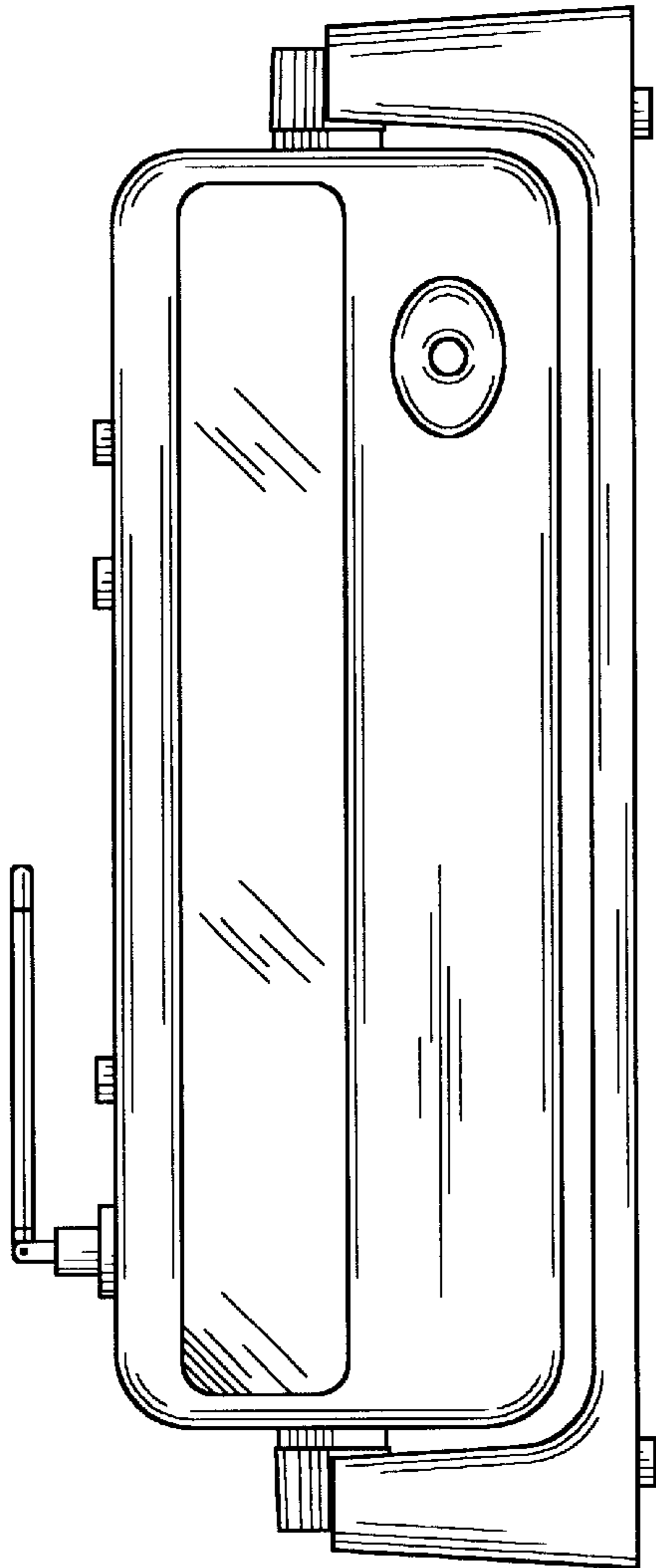


FIG. 3

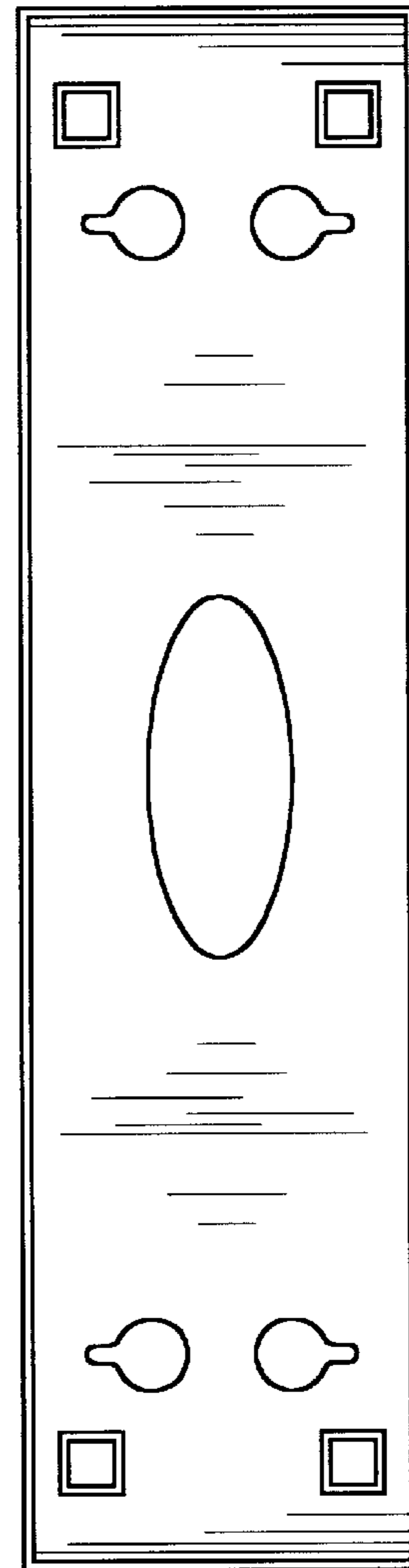


FIG. 4

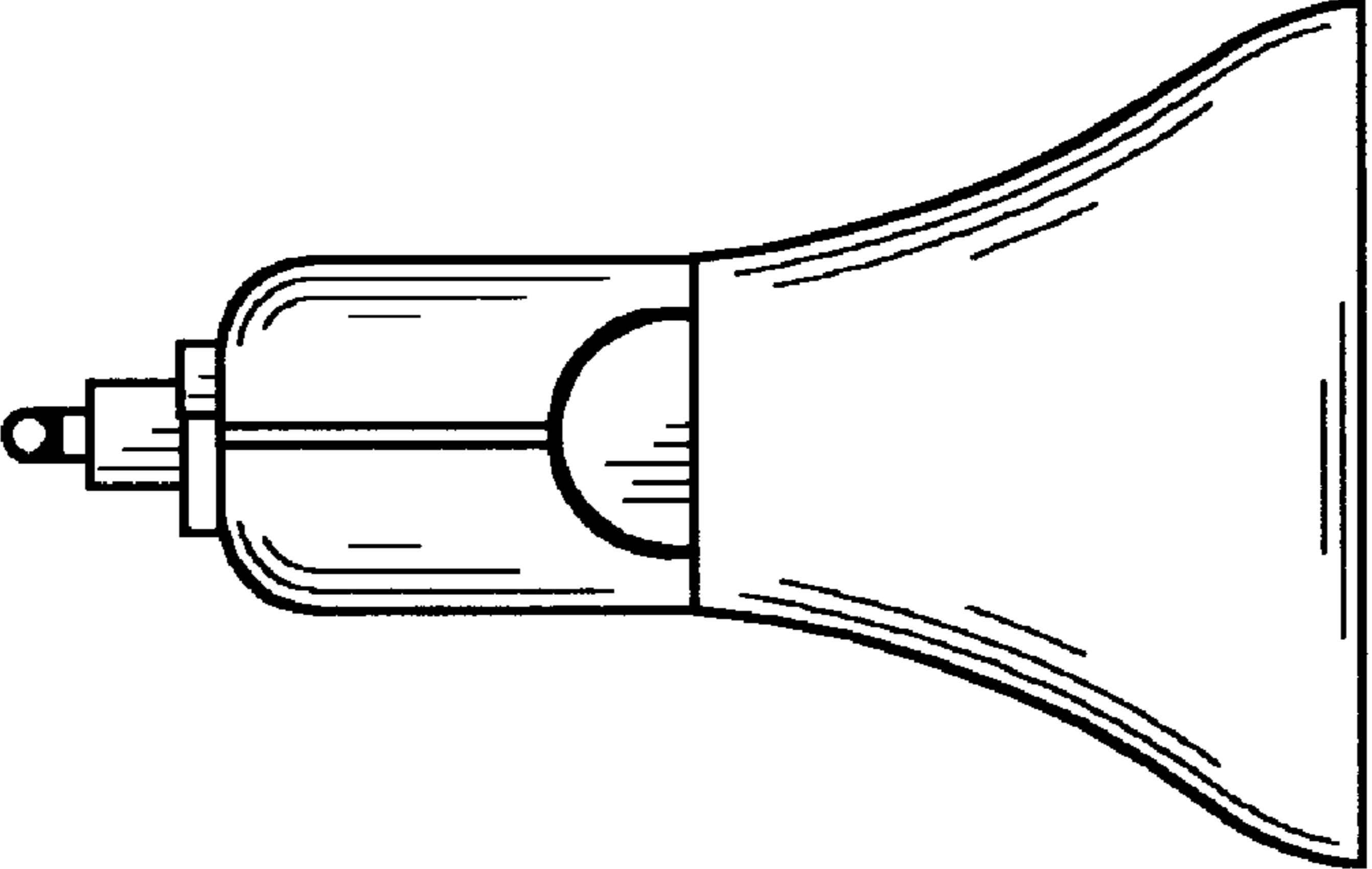


FIG. 6

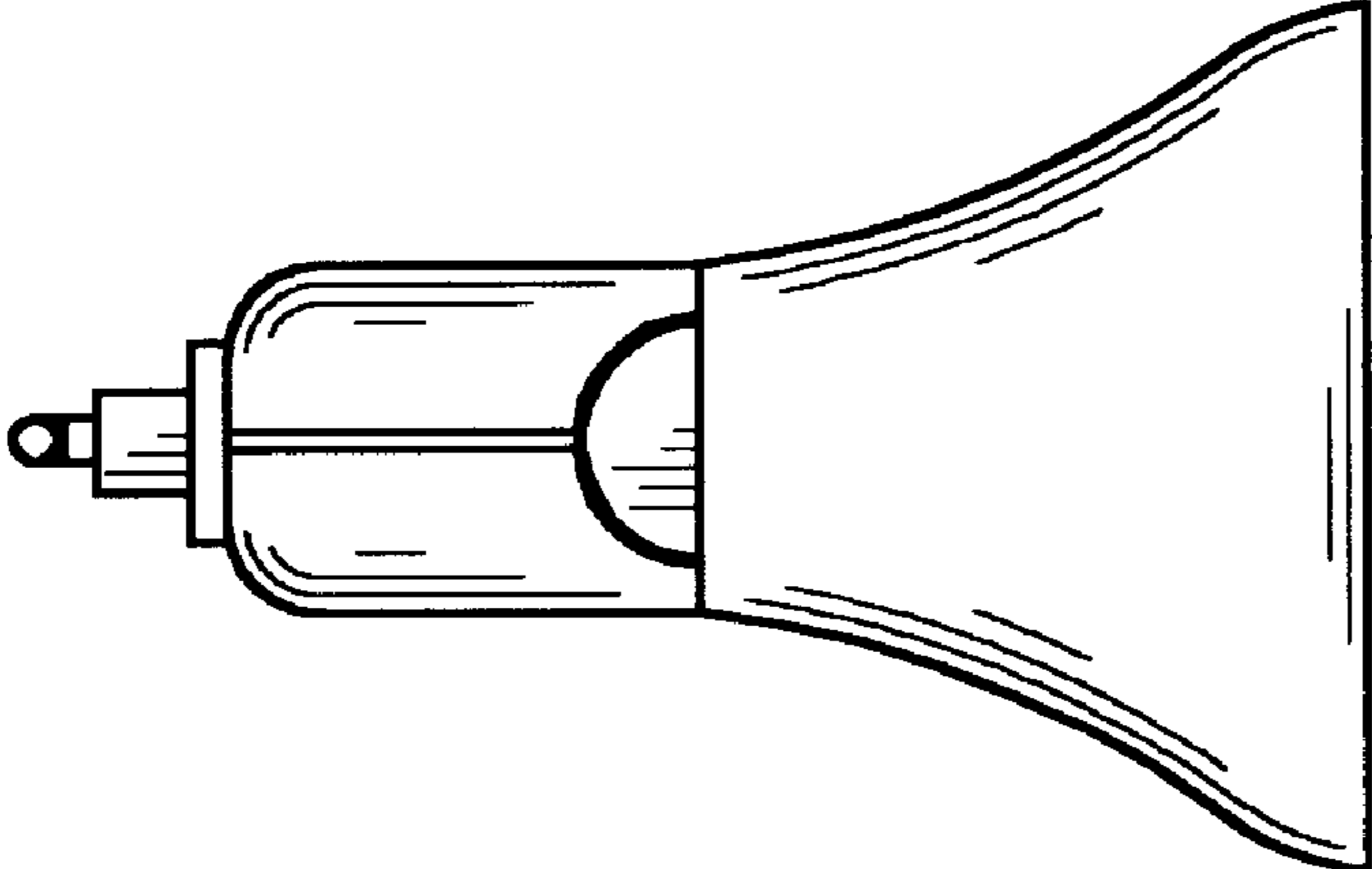


FIG. 5

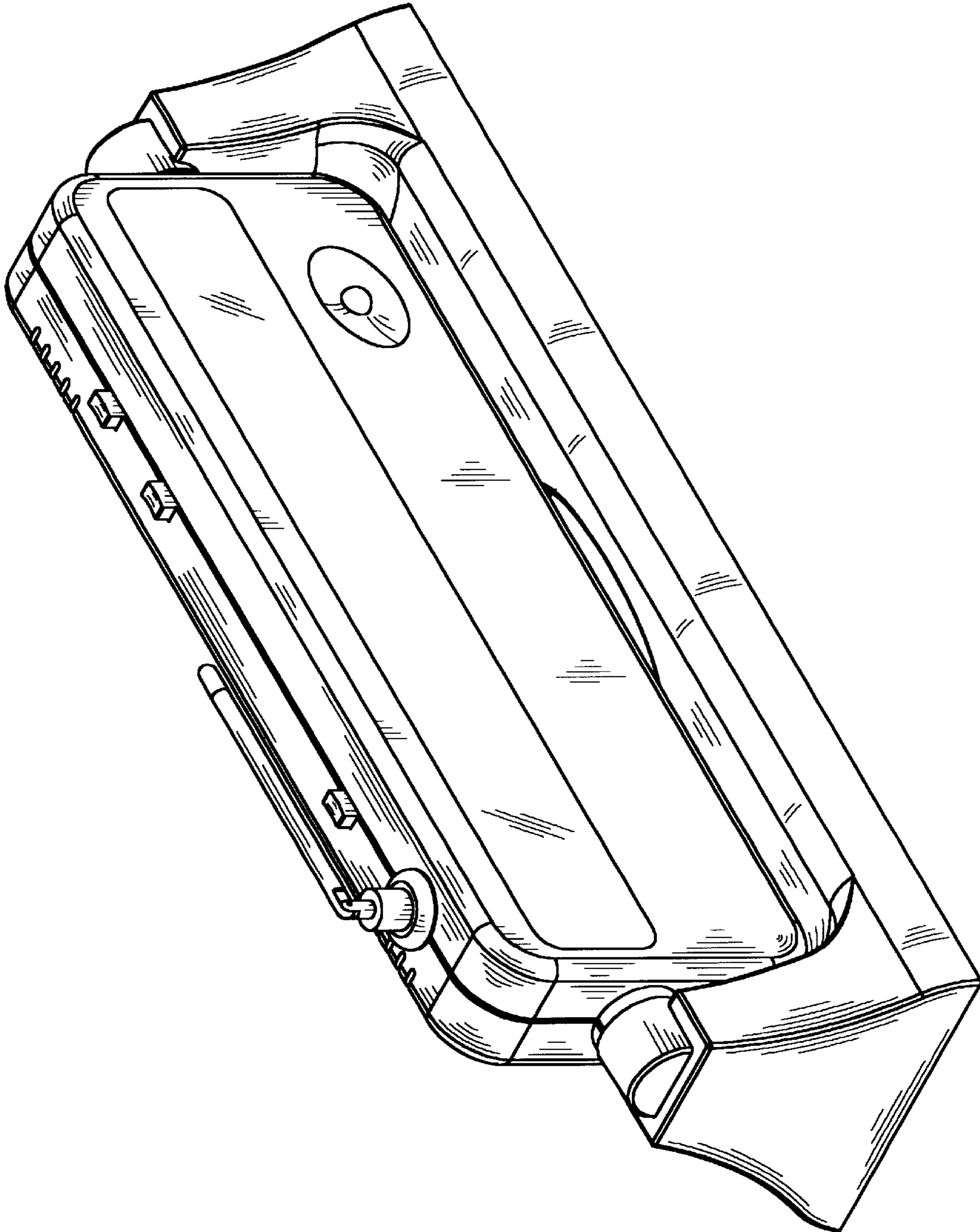


FIG. 7

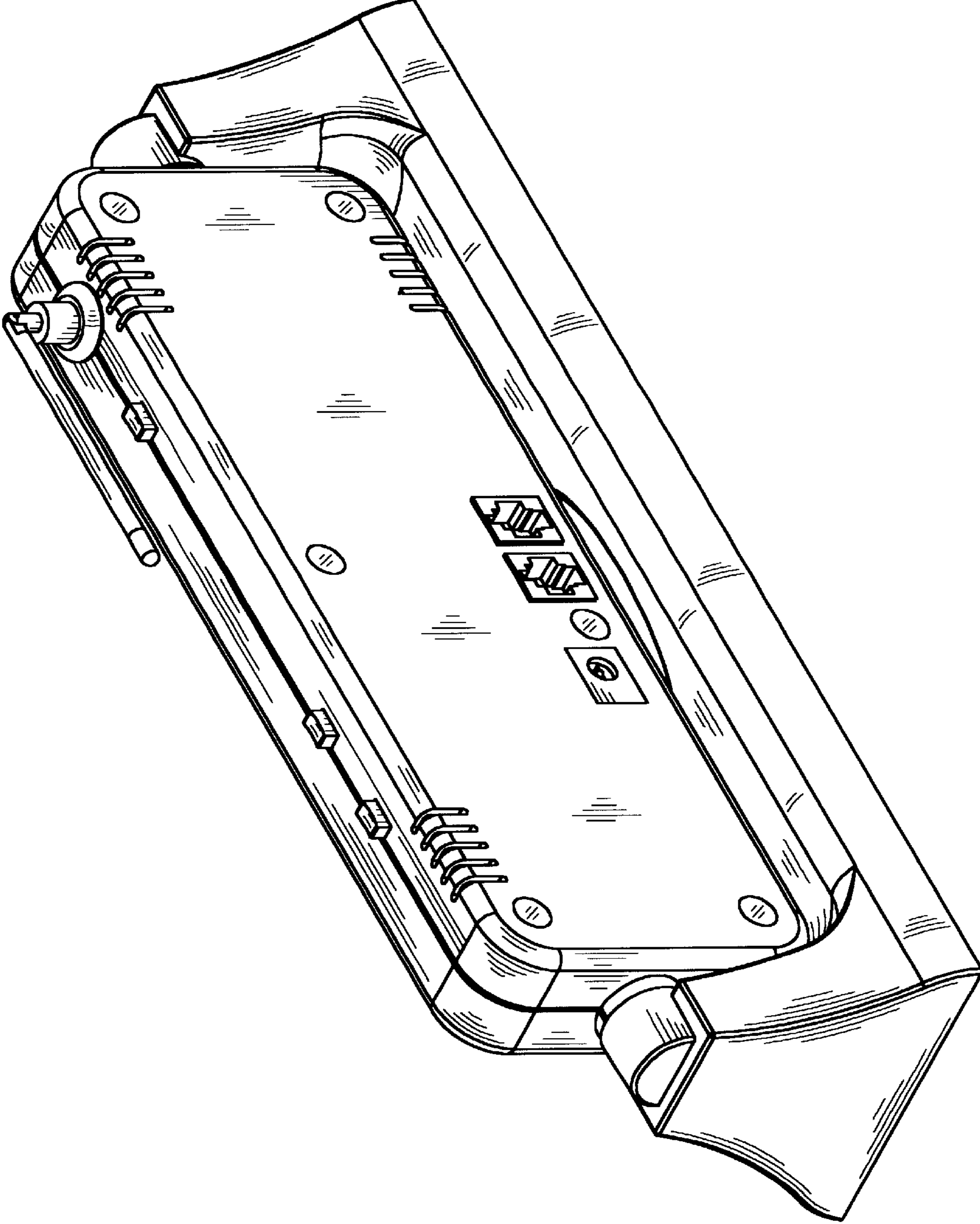


FIG. 8