



US00D515037S

(12) **United States Design Patent**
Fox

(10) **Patent No.:** **US D515,037 S**
(45) **Date of Patent:** **** Feb. 14, 2006**

- (54) **COAX CABLE CONNECTOR**
- (75) Inventor: **Michael Fox**, Jamesville, NY (US)
- (73) Assignee: **John Mezzalingua Associates, Inc.**, East Syracuse, NY (US)
- (**) Term: **14 Years**
- (21) Appl. No.: **29/201,793**
- (22) Filed: **Mar. 19, 2004**
- (51) **LOC (8) Cl.** **13-03**
- (52) **U.S. Cl.** **D13/151**
- (58) **Field of Classification Search** D13/133, D13/149, 151, 154, 184, 199; 439/13, 20, 439/22, 135, 246, 306, 480, 476.1, 578, 583-585, 439/805
See application file for complete search history.

- 4,168,921 A 9/1979 Blanchard
- 4,227,765 A 10/1980 Neumann et al.
- 4,280,749 A 7/1981 Hemmer
- 4,339,166 A 7/1982 Dayton
- 4,346,958 A 8/1982 Blanchard
- 4,373,767 A 2/1983 Cairns
- 4,400,050 A 8/1983 Hayward
- 4,408,822 A 10/1983 Nikitas
- 4,444,453 A 4/1984 Kirby et al.
- 4,484,792 A 11/1984 Tengler et al.
- 4,533,191 A 8/1985 Blackwood
- 4,545,637 A 10/1985 Bosshard et al.
- 4,553,806 A 11/1985 Forney, Jr. et al.
- 4,575,274 A 3/1986 Hayward
- 4,583,811 A 4/1986 McMills

(Continued)

FOREIGN PATENT DOCUMENTS

- DE 1 191 880 4/1954
- DE 32 11 008 10/1983
- GB 1087 228 10/1967
- GB 1270846 4/1972
- GB 2079 549 1/1982

(56) **References Cited**

U.S. PATENT DOCUMENTS

- 2,258,737 A 10/1941 Browne
- 3,104,145 A * 9/1963 Somerset 439/584
- 3,184,706 A 5/1965 Atkins
- 3,275,913 A 9/1966 Blanchard et al.
- 3,320,575 A * 5/1967 Brown et al. 439/584
- 3,355,698 A 11/1967 Keller
- 3,406,373 A 10/1968 Forney, Jr.
- 3,498,647 A 3/1970 Schroder
- 3,499,101 A * 3/1970 Hogendobler et al. 174/75 C
- 3,587,033 A * 6/1971 Brorein et al. 439/322
- 3,629,792 A 12/1971 Dorrell
- 3,671,922 A 6/1972 Zerlin et al.
- 3,710,005 A 1/1973 French
- 3,845,453 A 10/1974 Hemmer
- D233,991 S * 12/1974 Smith et al. D13/151
- 3,915,539 A 10/1975 Collins
- 3,936,132 A 2/1976 Hutter
- 3,985,418 A 10/1976 Spinner
- 4,046,451 A 9/1977 Juds et al.
- 4,053,200 A 10/1977 Pugner
- 4,059,330 A * 11/1977 Shirey 439/578
- 4,076,367 A * 2/1978 Avins 439/583
- 4,126,372 A 11/1978 Hashimoto et al.

Primary Examiner—Stella Reid

Assistant Examiner—Daniel Bui

(74) *Attorney, Agent, or Firm*—Wall Marjama & Bilinski LLP

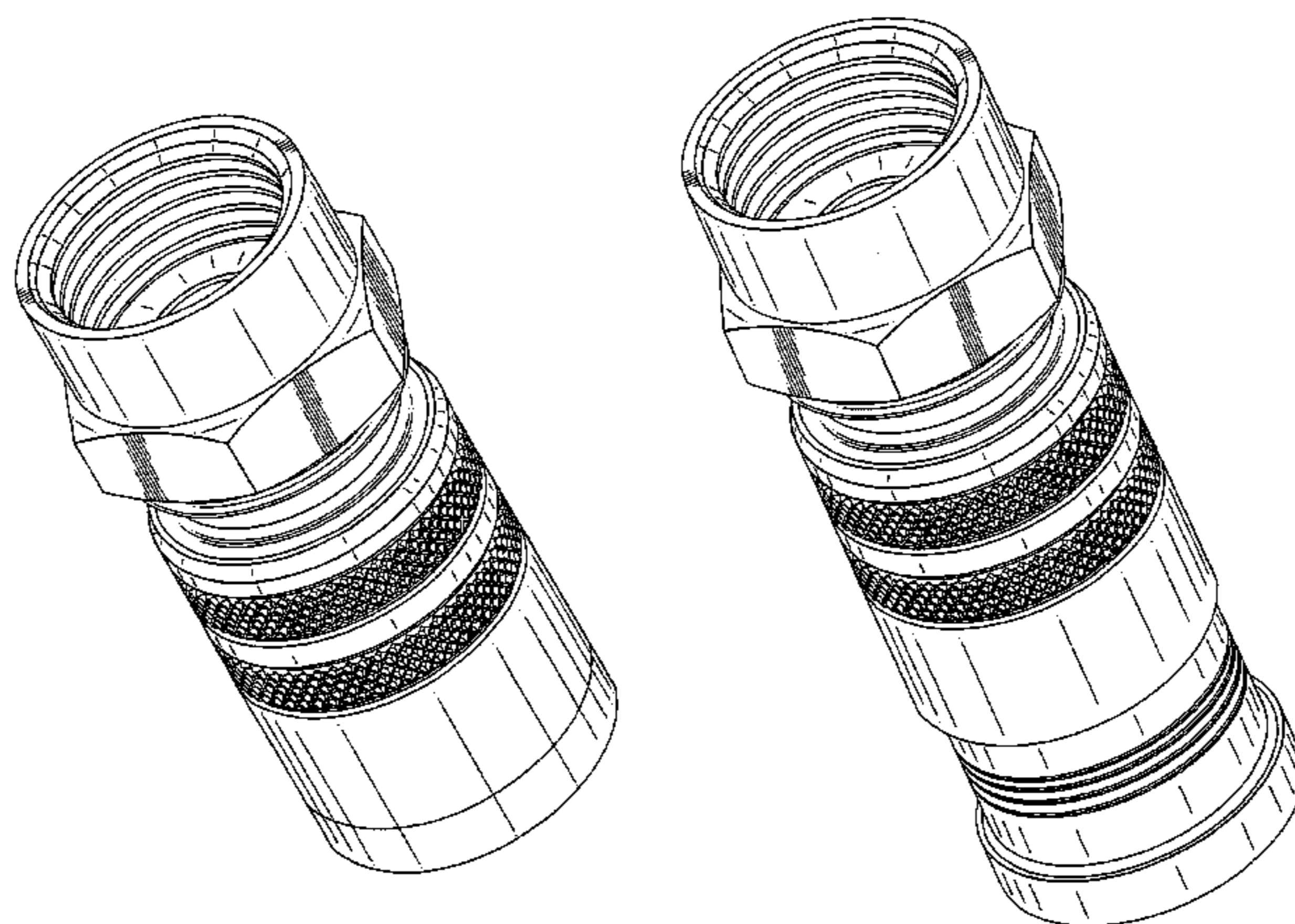
(57) **CLAIM**

The ornamental design for a coax cable connector, as shown and described.

DESCRIPTION

FIG. 1 is a top plan view of my new design of a coax cable connector;
 FIG. 2 is a bottom plan view thereof;
 FIG. 3 is a top perspective view thereof, in a closed position;
 FIG. 4 is a bottom perspective view thereof, in an open position;
 FIG. 5 is a top perspective view thereof; and,
 FIG. 6 is a front elevation view thereof, with the rear elevation view being a mirror image thereto.

1 Claim, 5 Drawing Sheets



US D515,037 S

U.S. PATENT DOCUMENTS

4,593,964 A	6/1986	Forney, Jr. et al.	5,207,602 A	5/1993	McMills et al.		
4,596,435 A	6/1986	Bickford	5,217,391 A	6/1993	Fisher, Jr.		
4,600,263 A	7/1986	DeChamp et al.	5,217,393 A	6/1993	Del Negro et al.		
4,614,390 A	9/1986	Baker	5,269,701 A	12/1993	Leibfried, Jr.		
4,645,281 A	2/1987	Burger	5,283,853 A	2/1994	Szegda		
4,650,228 A	3/1987	McMills et al.	5,295,864 A	3/1994	Birch et al.		
4,655,159 A	4/1987	McMills	5,310,359 A	* 5/1994	Chadbourne et al.	439/462	
4,660,921 A	4/1987	Hauver	5,316,494 A	5/1994	Flanagan et al.		
4,668,043 A	5/1987	Saba et al.	5,342,218 A	8/1994	McMills et al.		
4,674,818 A	6/1987	McMills et al.	5,371,819 A	12/1994	Szegda		
4,676,577 A	6/1987	Szegda	5,371,821 A	12/1994	Szegda		
4,691,976 A	9/1987	Cowen	5,371,827 A	12/1994	Szegda		
4,738,009 A	4/1988	Down et al.	D355,641 S	* 2/1995	Down	D13/151	
4,746,305 A	5/1988	Nomura	5,393,244 A	2/1995	Szegda		
4,747,786 A	5/1988	Hayashi et al.	5,431,583 A	7/1995	Szegda		
4,755,152 A	7/1988	Elliot et al.	5,444,810 A	8/1995	Szegda		
4,806,116 A	2/1989	Ackerman	5,455,548 A	10/1995	Grandchamp et al.		
4,813,886 A	3/1989	Roos et al.	5,456,611 A	10/1995	Henry et al.		
4,813,887 A	3/1989	Capp	5,456,614 A	10/1995	Szegda		
4,834,675 A	5/1989	Samchisen	5,466,173 A	11/1995	Down		
4,854,893 A	8/1989	Morris	5,470,257 A	11/1995	Szegda		
4,857,014 A	8/1989	Alf et al.	5,494,454 A	2/1996	Johnsen		
4,869,679 A	9/1989	Szegda	5,501,616 A	3/1996	Holliday		
4,892,275 A	1/1990	Szegda	5,525,076 A	6/1996	Down		
4,902,246 A	2/1990	Samchisen	D371,342 S	* 7/1996	Lundback	D13/151	
4,906,207 A	3/1990	Banning et al.	5,542,861 A	8/1996	Anhalt et al.		
4,923,412 A	5/1990	Morris	5,548,088 A	8/1996	Gray et al.		
4,925,403 A	5/1990	Zorzy	5,598,132 A	1/1997	Stabile		
4,929,188 A	5/1990	Lionetto et al.	5,651,699 A	7/1997	Holliday		
4,990,104 A	2/1991	Schieferly	5,667,405 A	9/1997	Holliday		
4,990,105 A	2/1991	Karlovich	5,975,951 A	11/1999	Burriss et al.		
4,990,106 A	2/1991	Szegda	5,997,350 A	12/1999	Burriss et al.		
5,002,503 A	3/1991	Campbell et al.	6,032,358 A	3/2000	Wild		
5,021,010 A	6/1991	Wright	6,102,737 A	8/2000	Gohdes		
5,024,606 A	6/1991	Ming-Hwa	6,153,830 A	11/2000	Montena		
5,037,328 A	8/1991	Karlovich	D437,826 S	2/2001	Montena		
5,062,804 A	11/1991	Jamet et al.	D462,327 S	9/2002	Montena		
5,066,248 A	11/1991	Gaver, Jr. et al.	6,491,546 B1	12/2002	Perry		
5,073,129 A	12/1991	Szegda	D468,696 S	1/2003	Montena		
5,083,943 A	1/1992	Tarrant	D475,976 S	6/2003	Montena		
5,127,853 A	7/1992	McMills et al.	D475,977 S	6/2003	Montena		
5,131,862 A	7/1992	Gershfeld	D476,957 S	* 7/2003	Chudoba et al.	D13/151	
5,141,451 A	8/1992	Down	6,644,993 B2	11/2003	Victor		
5,181,161 A	1/1993	Hirose et al.	6,672,903 B1	1/2004	Chen		
D333,511 S	* 2/1993	Mikiya et al.	D503,685 S	* 4/2005	Montena	D13/154	
5,195,906 A	3/1993	Szegda	2002/0013088 A1	1/2002	Rodrigues et al.		
5,205,761 A	4/1993	Nilsson					

* cited by examiner

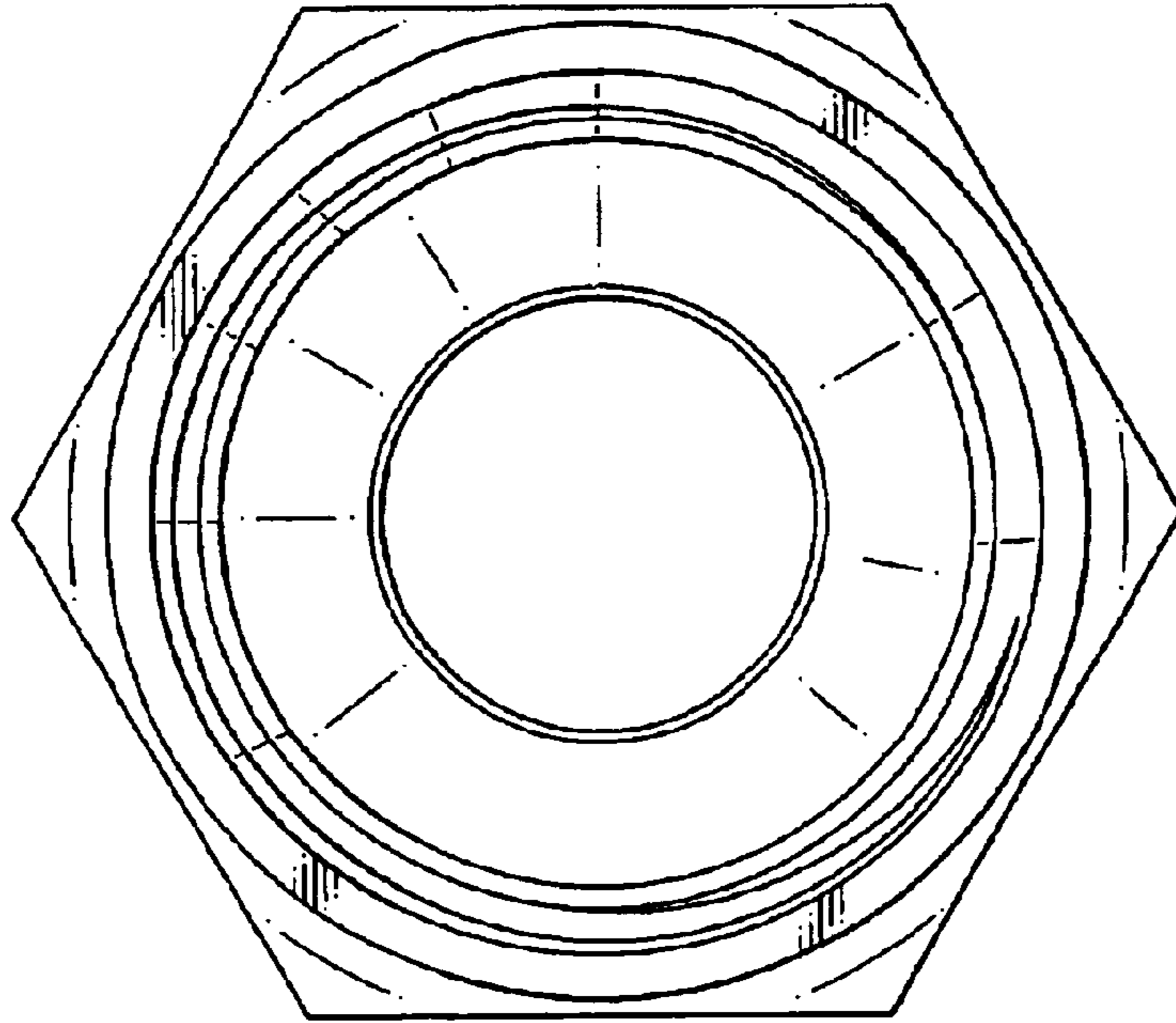


FIG. 1

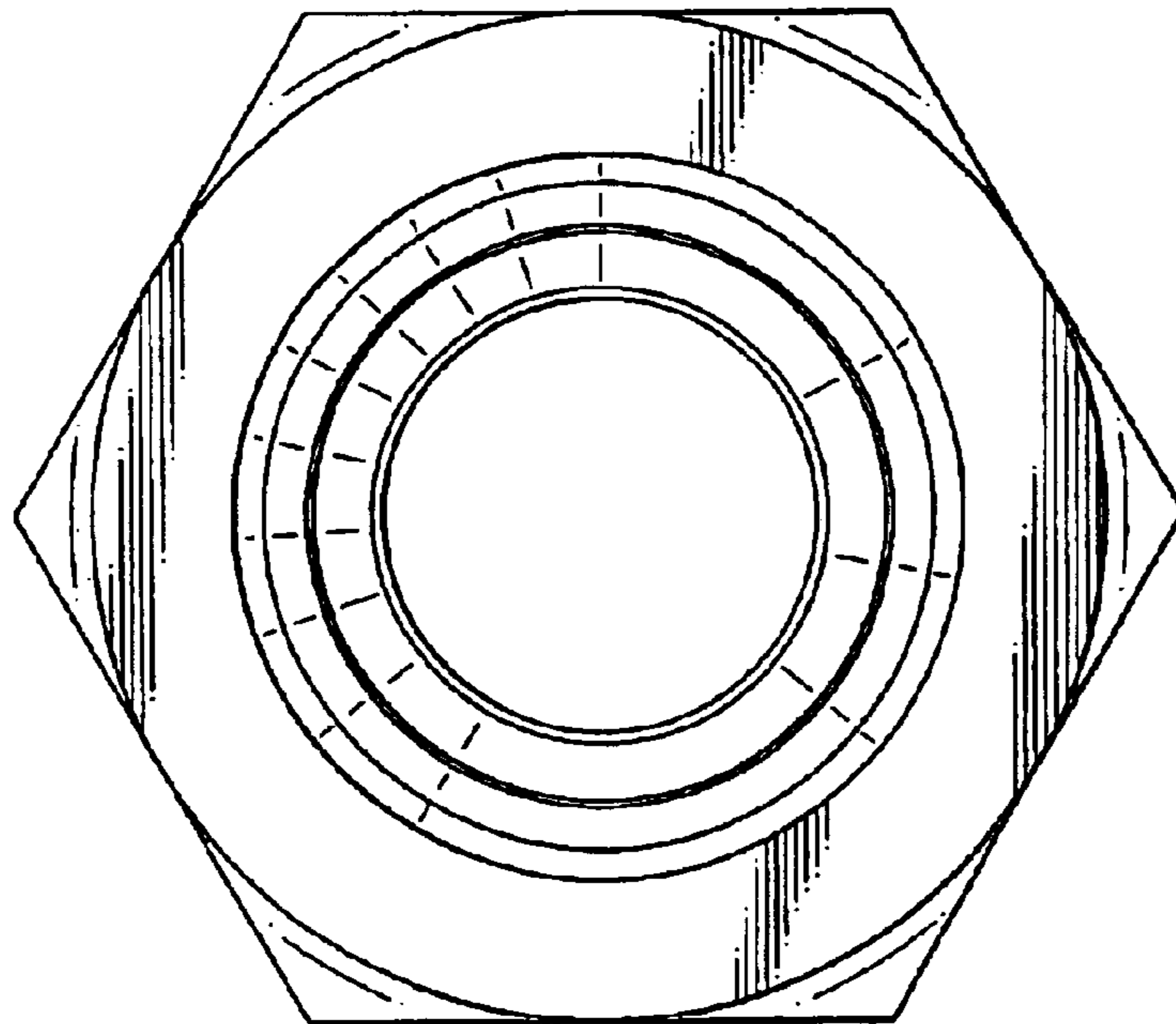


FIG. 2

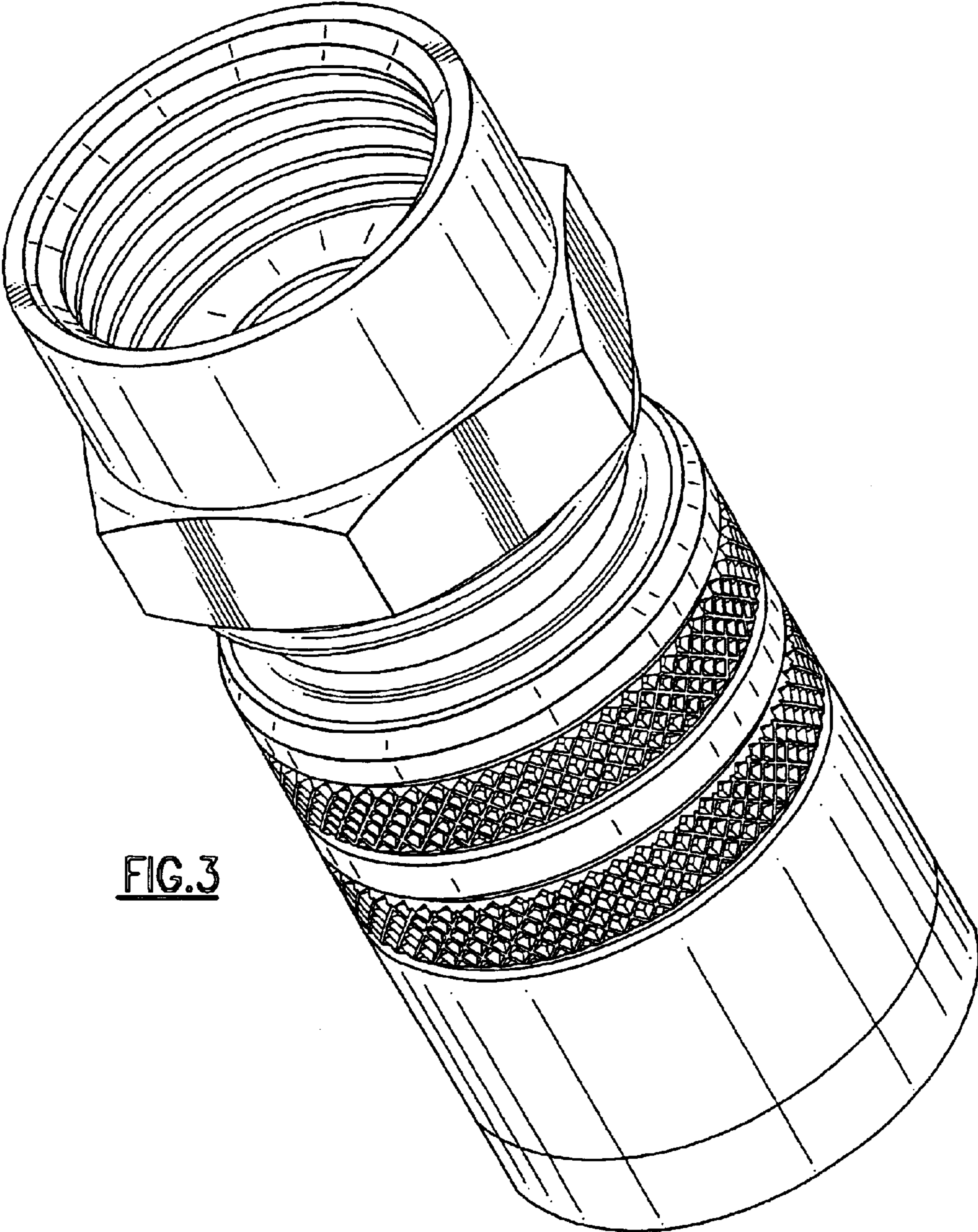


FIG. 3

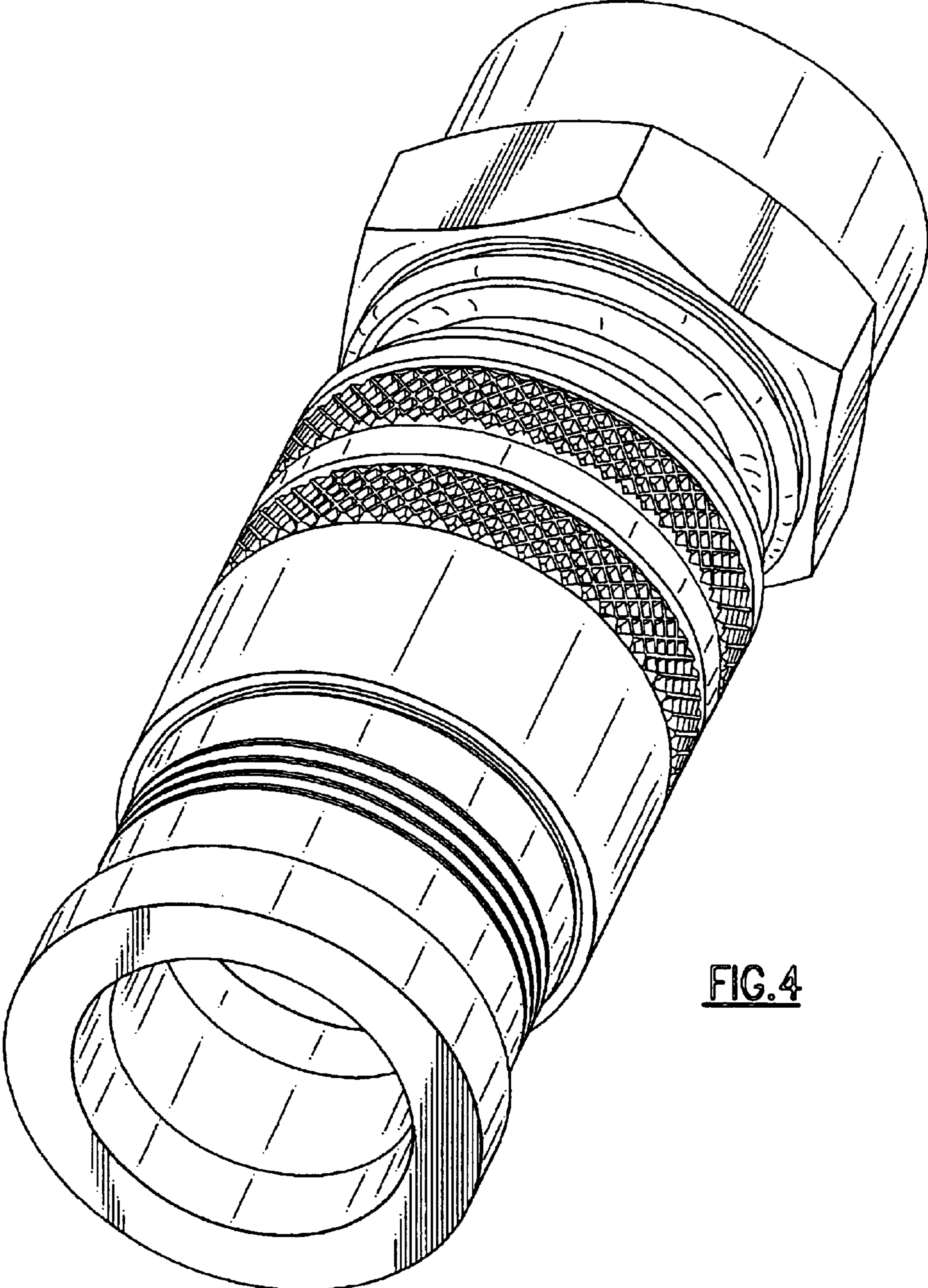


FIG. 4

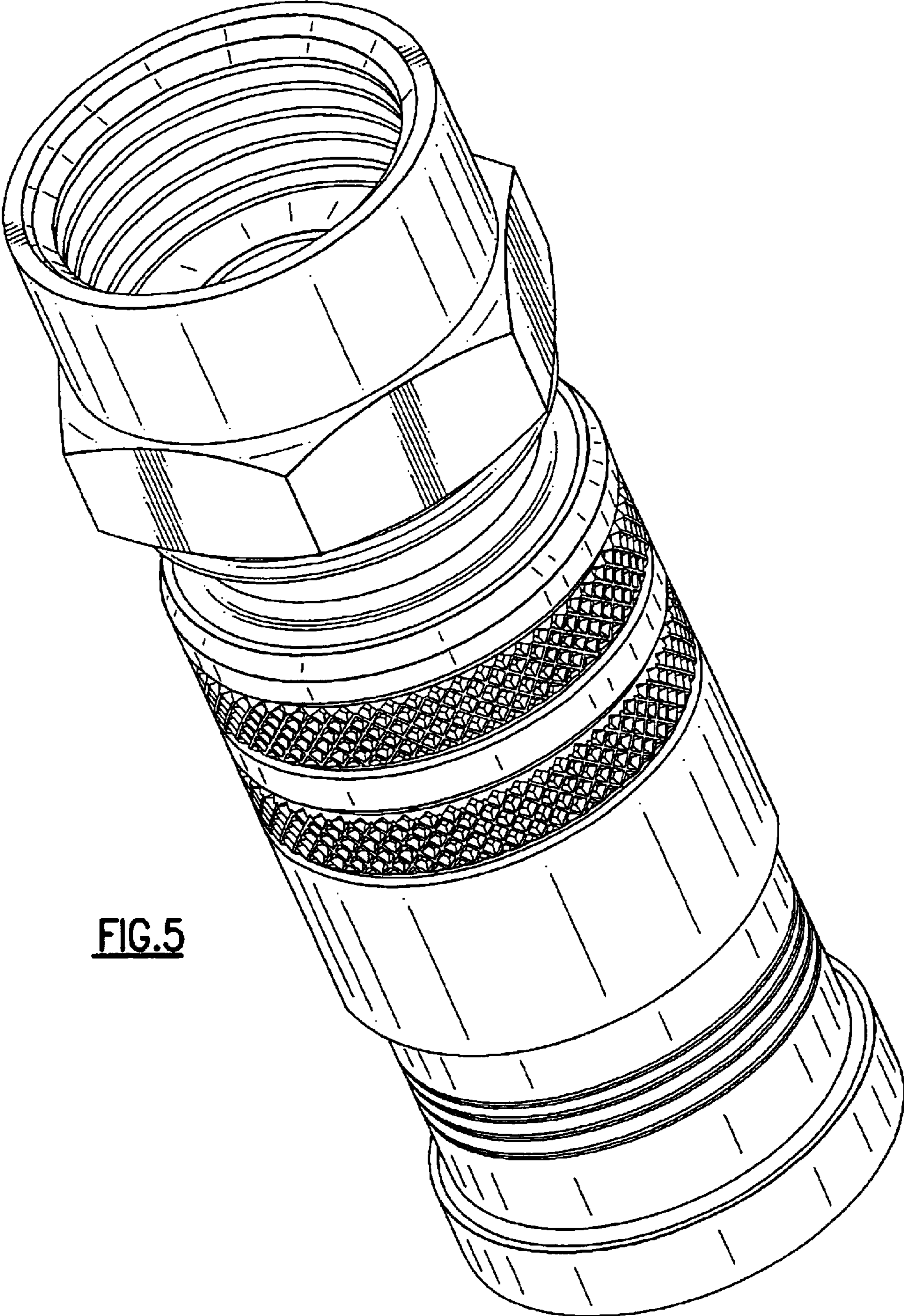


FIG.5

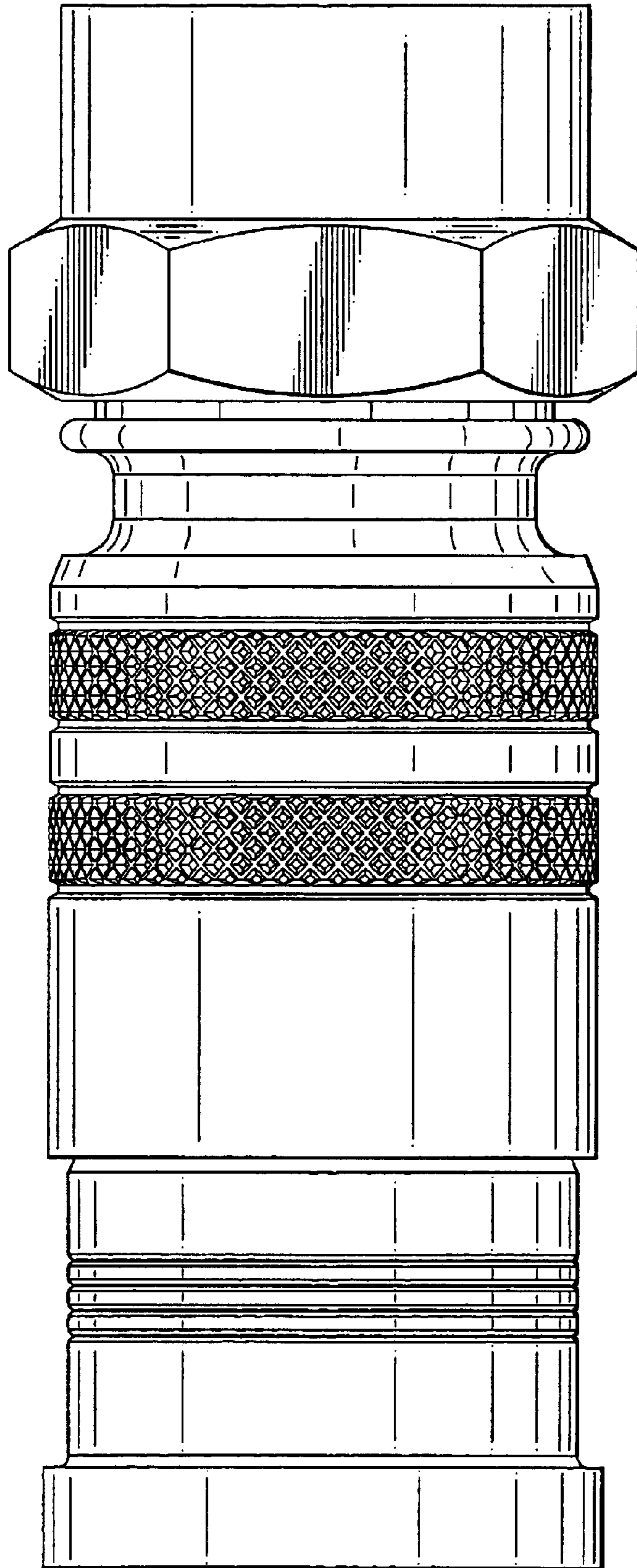


FIG.6