



US00D515036S

(12) **United States Design Patent**
Liang

(10) **Patent No.:** **US D515,036 S**

(45) **Date of Patent:** **** Feb. 14, 2006**

(54) **SCREW TYPE HIGH DEFINITION
MULTIMEDIA INTERFACE CONNECTOR
SOCKET**

D459,308 S	*	6/2002	Lee	D13/147
D459,703 S	*	7/2002	Aldridge	D13/147
D496,632 S	*	9/2004	David et al.	D13/147
6,866,533 B2	*	3/2005	Wu	439/352
2005/0032410 A1	*	2/2005	Huang	439/362

(75) **Inventor:** **Jasper Liang**, Taipei (TW)

(73) **Assignee:** **Joinsoon Electronics Mfg. Co., Ltd.**,
Taipei Hsien (TW)

(**) **Term:** **14 Years**

(21) **Appl. No.:** **29/216,742**

(22) **Filed:** **Nov. 9, 2004**

(51) **LOC (8) Cl.** **13-03**

(52) **U.S. Cl.** **D13/147**

(58) **Field of Classification Search** D13/133,
D13/146, 147, 153-154, 184, 199; 439/353,
439/357-358, 362, 372, 558, 606-610, 731
See application file for complete search history.

(56) **References Cited**

U.S. PATENT DOCUMENTS

D297,530 S	*	9/1988	Cooper	D13/147
D318,265 S	*	7/1991	Esslinger	D13/147
D406,819 S	*	3/1999	Taguchi	D13/154
D417,435 S	*	12/1999	Lin et al.	D13/147
6,203,341 B1	*	3/2001	Chen	439/186

* cited by examiner

Primary Examiner—Stella Reid

Assistant Examiner—Daniel Bui

(74) *Attorney, Agent, or Firm*—Rosenberg, Klein & Lee

(57) **CLAIM**

The ornamental design for a screw type high definition multimedia interface connector socket, as shown and described.

DESCRIPTION

FIG. 1 is a top, rear and left side perspective view of a screw type high definition multimedia interface connector socket showing my new design;

FIG. 2 is a front elevational view thereof;

FIG. 3 is a rear elevational view thereof;

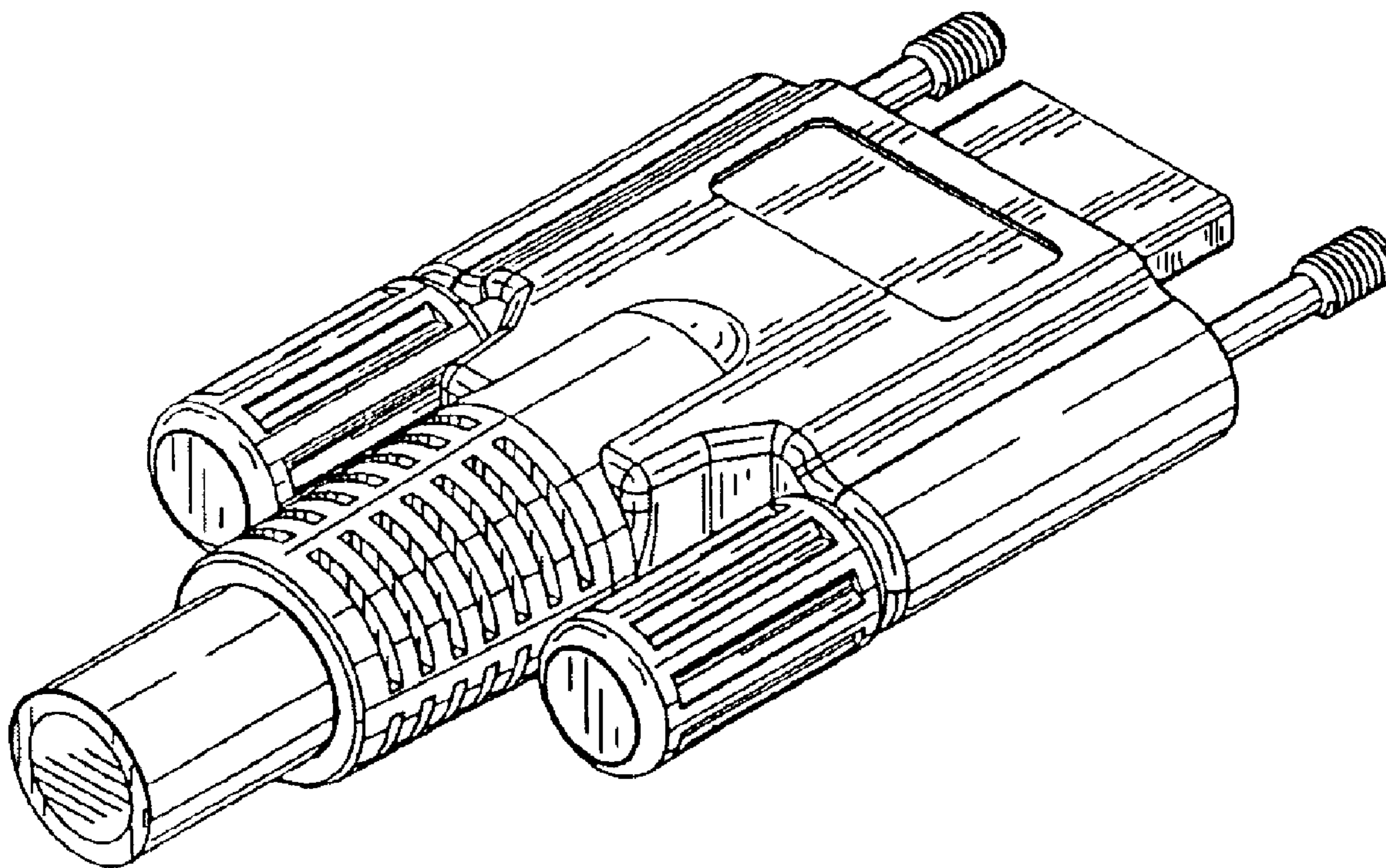
FIG. 4 is a top plan view thereof;

FIG. 5 is a bottom plan view thereof;

FIG. 6 is a left side elevational view thereof; and,

FIG. 7 is a right side elevational view thereof.

1 Claim, 5 Drawing Sheets



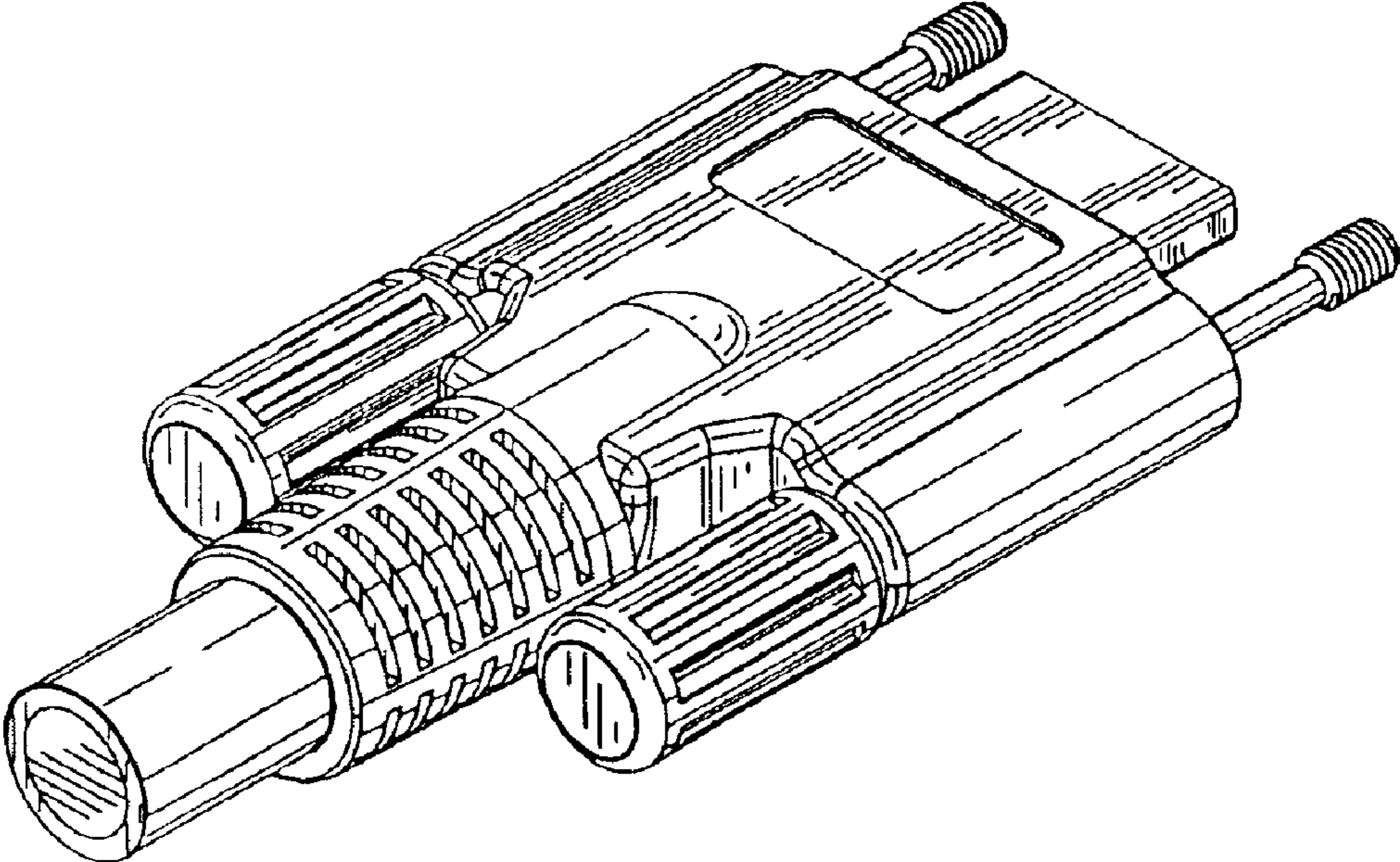


FIG. 1

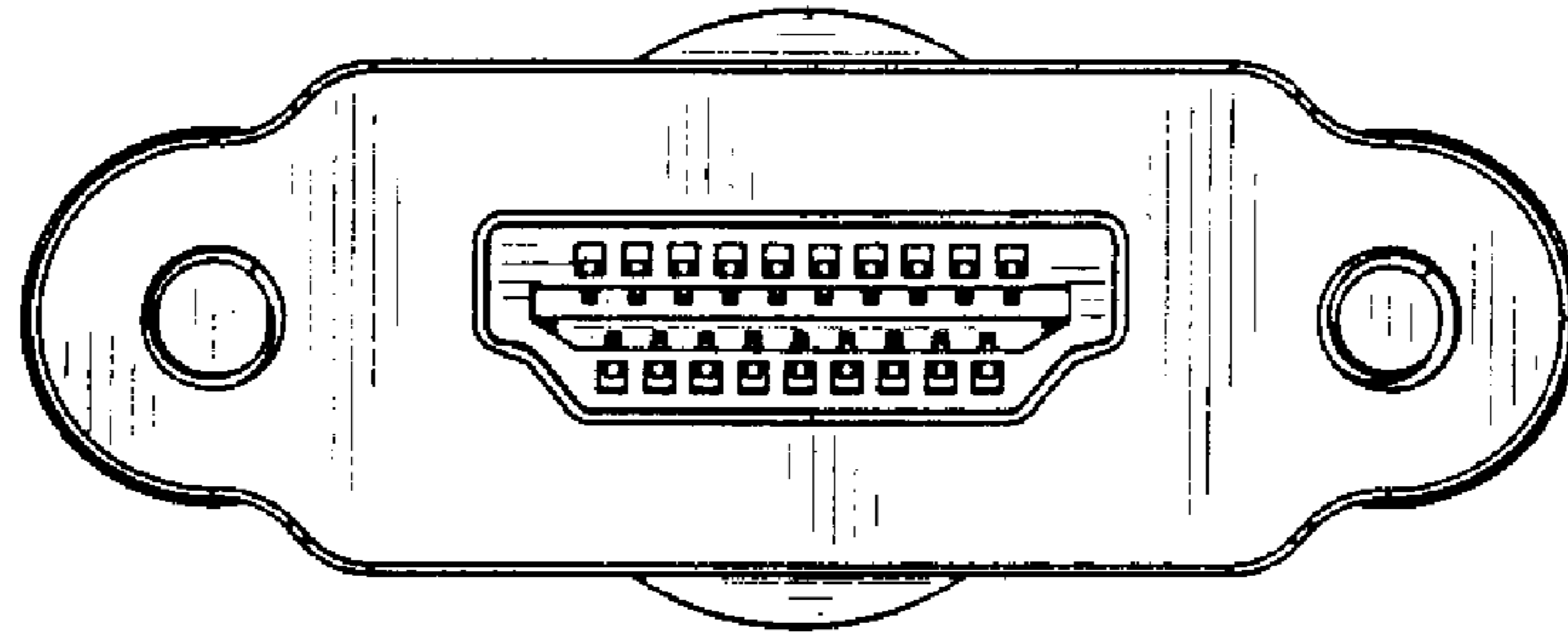


FIG. 2

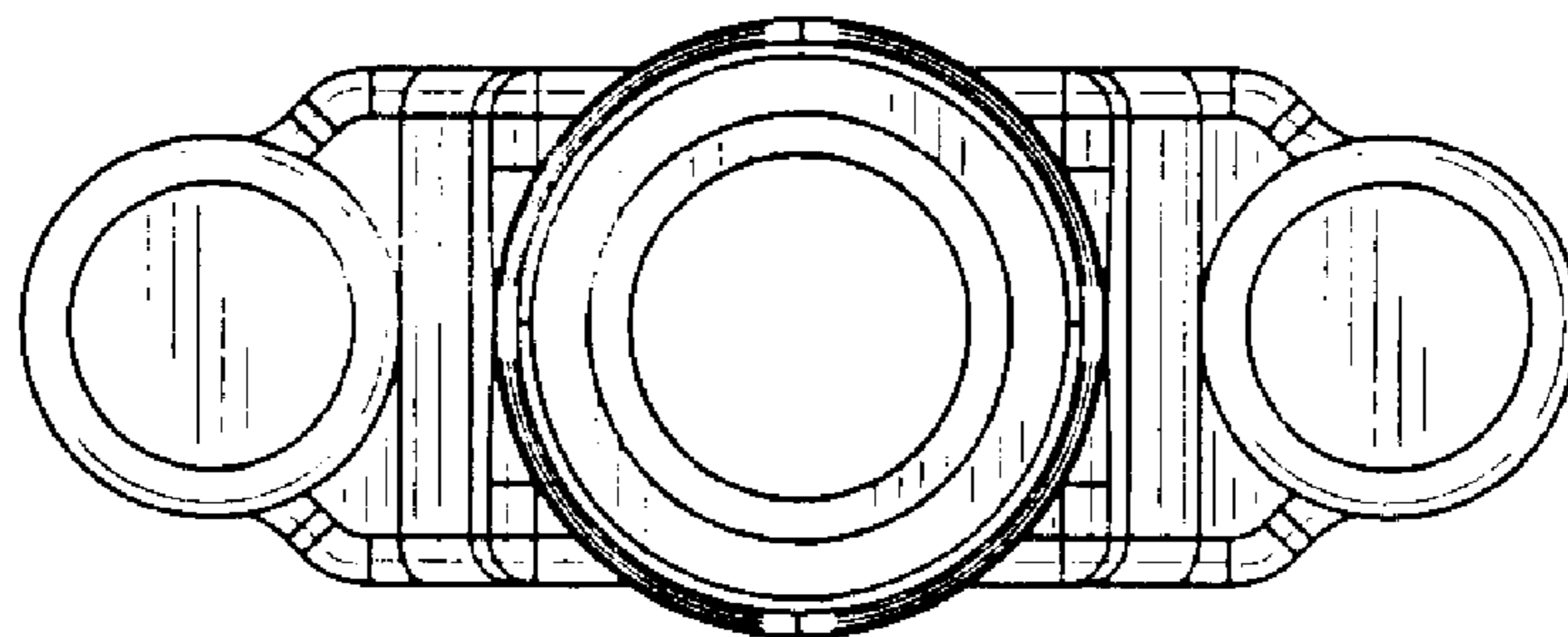


FIG. 3

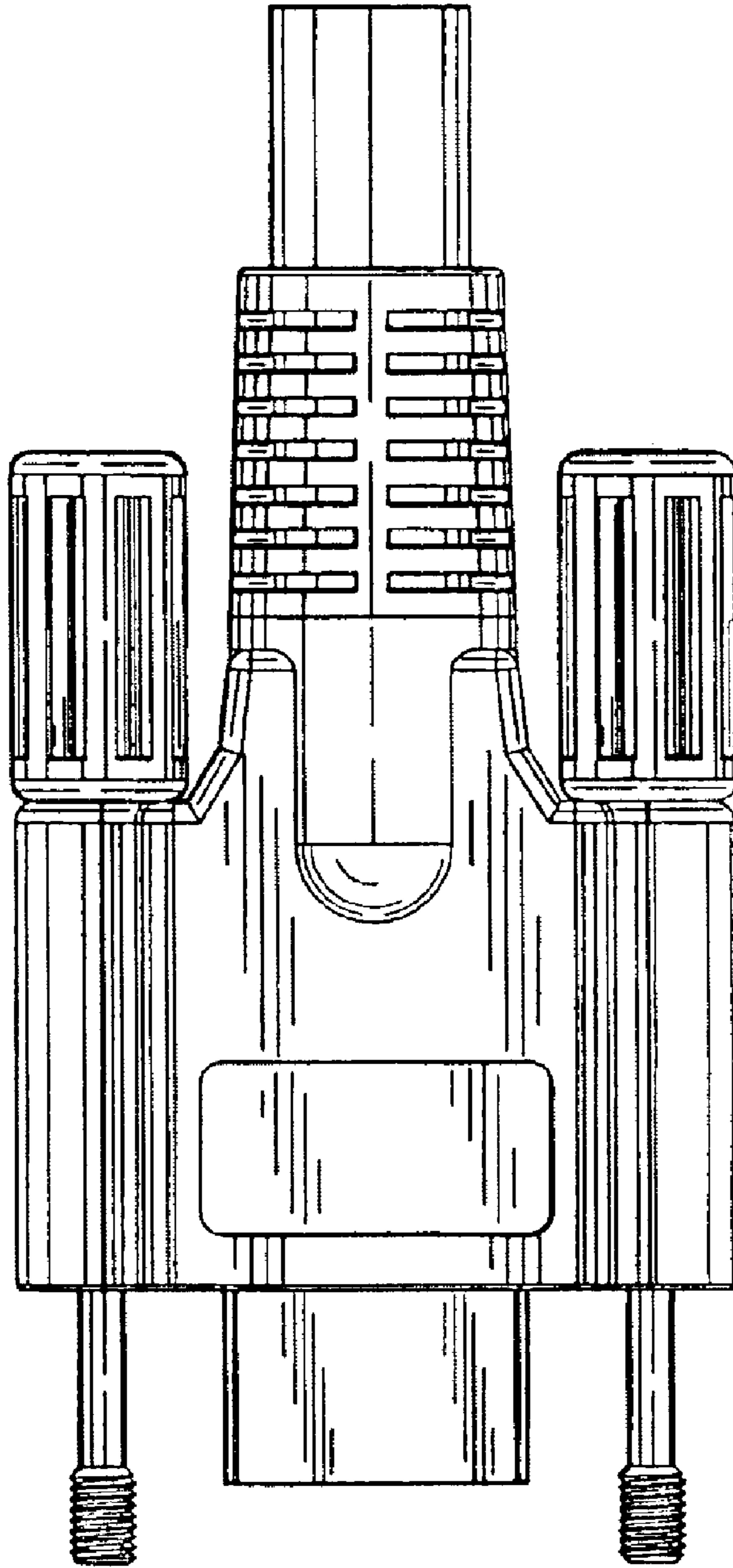


FIG. 4

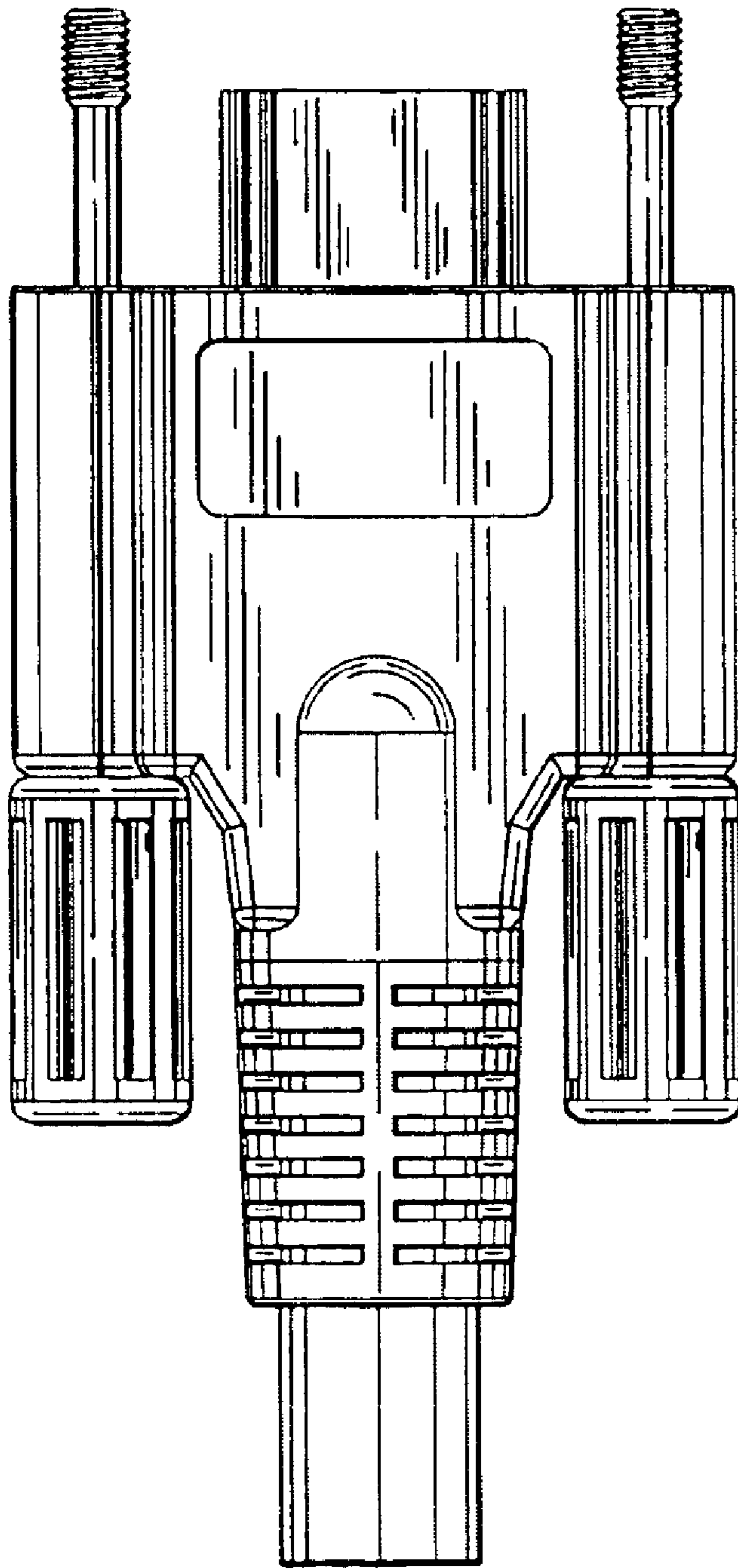


FIG. 5

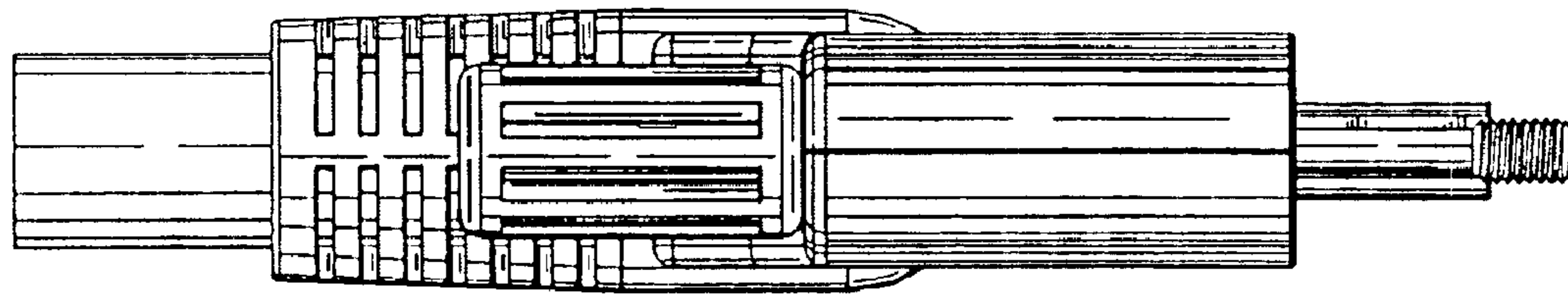


FIG. 6

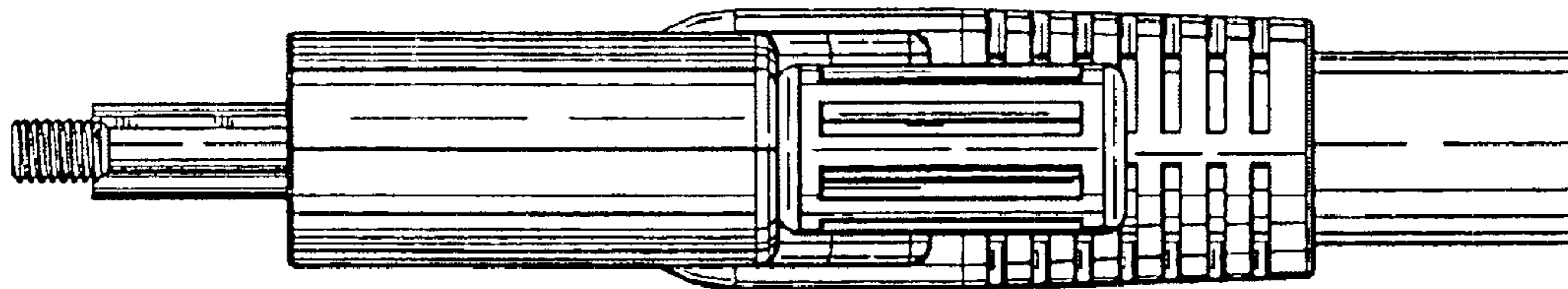


FIG. 7