



US00D515034S

(12) **United States Design Patent** (10) **Patent No.:** **US D515,034 S**
Petrick et al. (45) **Date of Patent:** **** Feb. 14, 2006**

(54) **MODULAR SYSTEM SUBSTATION**

(75) Inventors: **Chris Petrick**, Oak Park, IL (US);
David James Gennrich, Madison, WI
(US); **Kent Bradley Chase**, Madison,
WI (US); **Richard A. Nelipovich**,
Madison, WI (US); **William Charles
Lindeman**, Marshall, WI (US)

(73) Assignee: **Bretford Manufacturing, Inc.**,
Franklin Park, IL (US)

(**) Term: **14 Years**

(21) Appl. No.: **29/191,672**

(22) Filed: **Oct. 10, 2003**

(51) **LOC (8) Cl.** **13-03**

(52) **U.S. Cl.** **D13/139.4**

(58) **Field of Classification Search** D13/137.2,
D13/139.1, 139.4, 139.5, 139.6, 152, 184;
439/131, 535; 174/53

See application file for complete search history.

(56) **References Cited**

U.S. PATENT DOCUMENTS

2,811,574 A	*	10/1957	Guerrero	174/57
D208,307 S	*	8/1967	Weber et al.	D13/152
3,425,587 A		2/1969	Duross, Jr.		
3,576,304 A		4/1971	Gillemot		
3,794,956 A	*	2/1974	Dubreuil	439/131
4,224,769 A		9/1980	Ball et al.		
D272,655 S	*	2/1984	Smith	D26/51
4,535,703 A		8/1985	Henriott et al.		
4,771,583 A		9/1988	Ball et al.		
D299,821 S	*	2/1989	Dively	D13/139.5
4,831,791 A		5/1989	Ball		
5,150,554 A		9/1992	Quinlan, Jr. et al.		
5,152,698 A		10/1992	Juhlin et al.		
5,215,280 A		6/1993	Tigrett		
D349,580 S	*	8/1994	Sieler et al.	D25/126

5,362,923 A		11/1994	Newhouse et al.		
D354,904 S		1/1995	Halsten		
5,511,348 A		4/1996	Cornell et al.		
5,606,919 A		3/1997	Fox et al.		
5,606,920 A		3/1997	Meyer et al.		
D378,731 S		4/1997	Kopish		
D387,652 S		12/1997	Carlson, Jr.		
D409,980 S	*	5/1999	Byrne	D13/137.1
5,971,508 A		10/1999	Deimen et al.		
D418,815 S	*	1/2000	Byrne	D13/146
6,029,713 A		2/2000	Miranda		
6,037,538 A		3/2000	Brooks		
6,226,931 B1		5/2001	Haversat		
D446,028 S		8/2001	Ruedinger et al.		
6,296,522 B1	*	10/2001	Ho	439/640
D450,037 S	*	11/2001	Yu	D13/139.4
D450,038 S	*	11/2001	Yu	D13/139.4
6,374,548 B1		4/2002	Ruedinger et al.		
D484,097 S	*	12/2003	Drane et al.	D13/139.4
2002/0011193 A1		1/2002	Beck et al.		

* cited by examiner

Primary Examiner—Alan P. Douglas
Assistant Examiner—Rosemary Tarcza
(74) *Attorney, Agent, or Firm*—Welsh & Katz, Ltd.

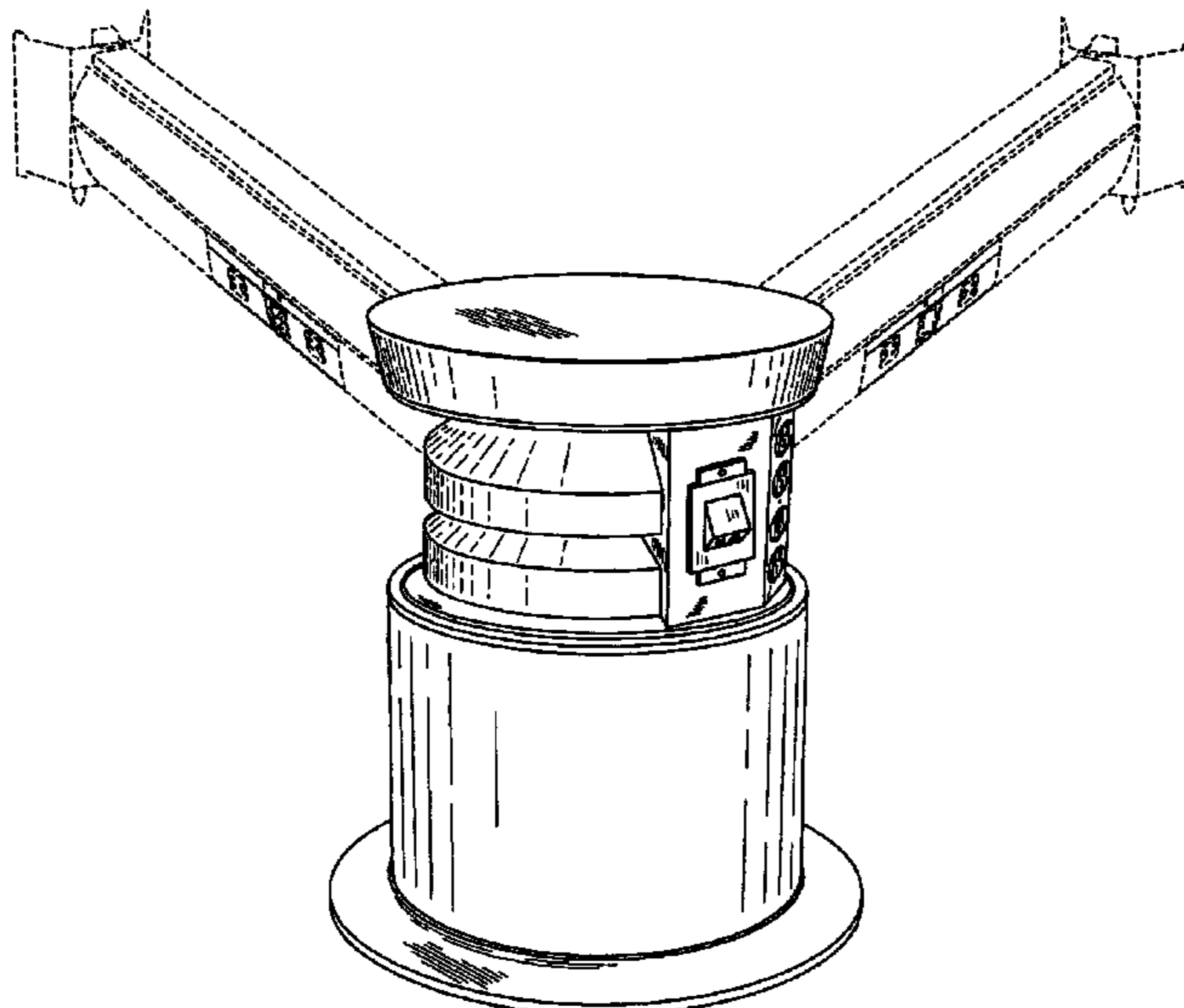
(57) **CLAIM**

The ornamental design for a modular system substation, as shown and described.

DESCRIPTION

FIG. 1 is a perspective view of the modular system substation;
FIG. 2 is a front elevational view thereof;
FIG. 3 is a rear elevational view thereof;
FIG. 4 is a left side elevational view thereof;
FIG. 5 is a right side elevational view thereof; and,
FIG. 6 is a top view thereof, the bottom being unadorned.
The phantom line showing of environment is for illustrative purposes only.

1 Claim, 4 Drawing Sheets



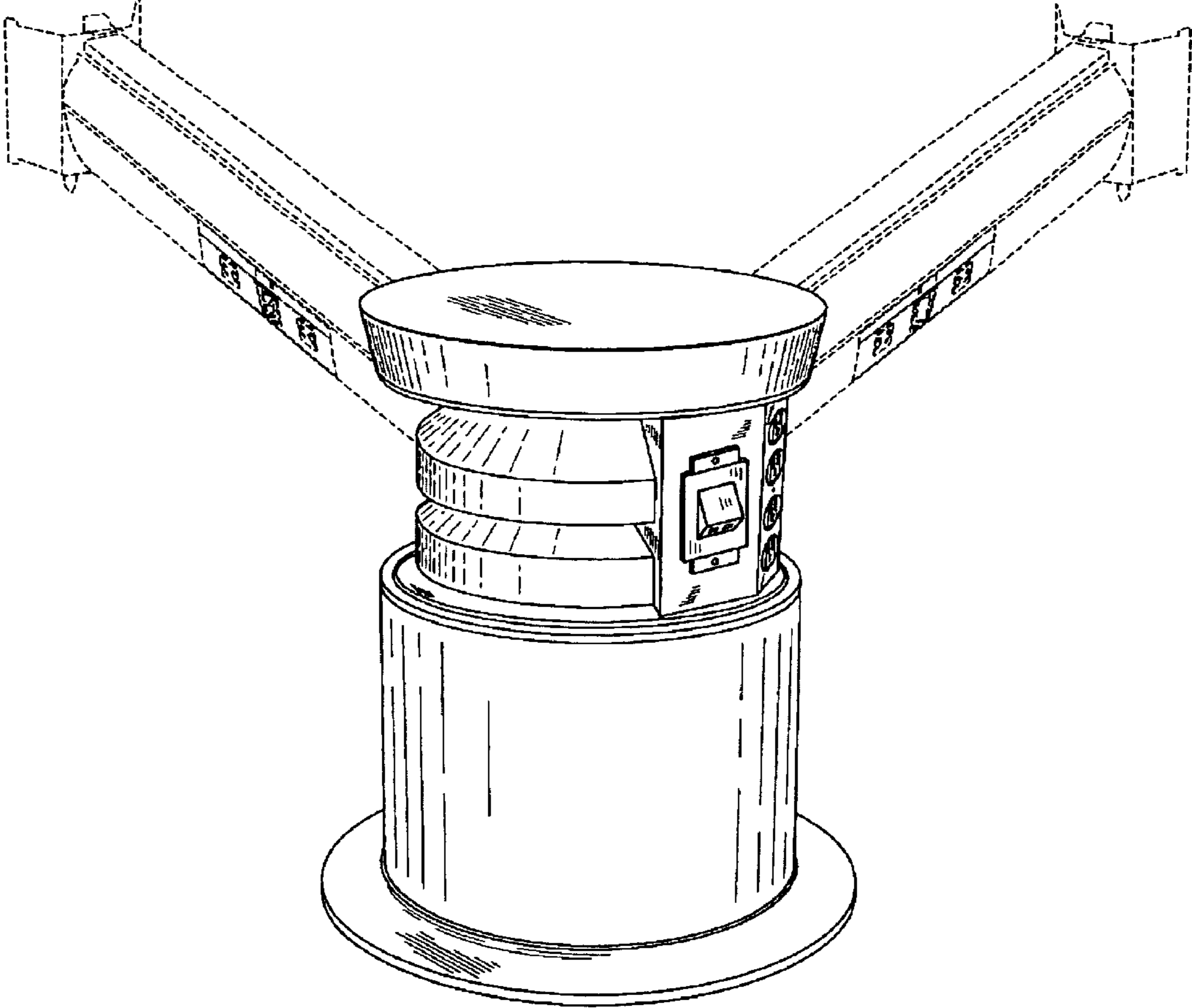
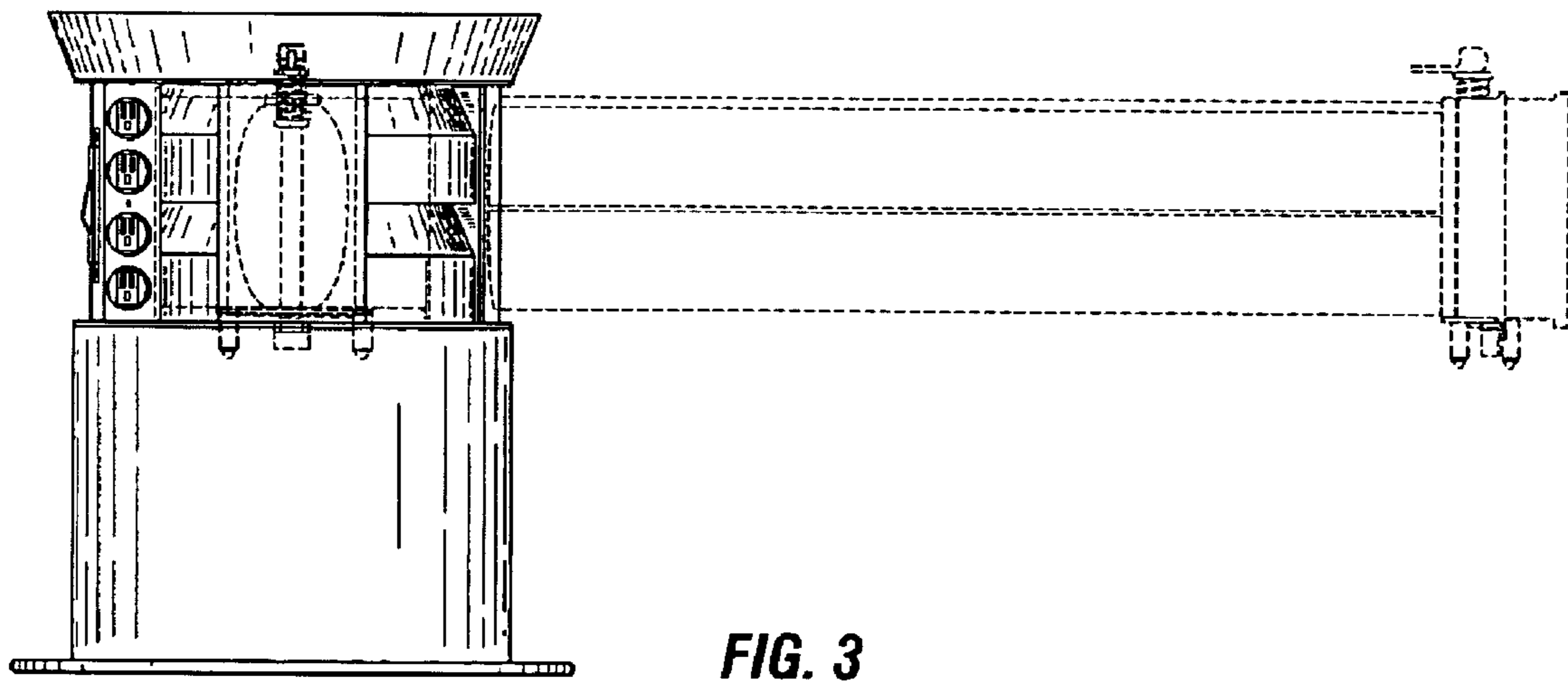
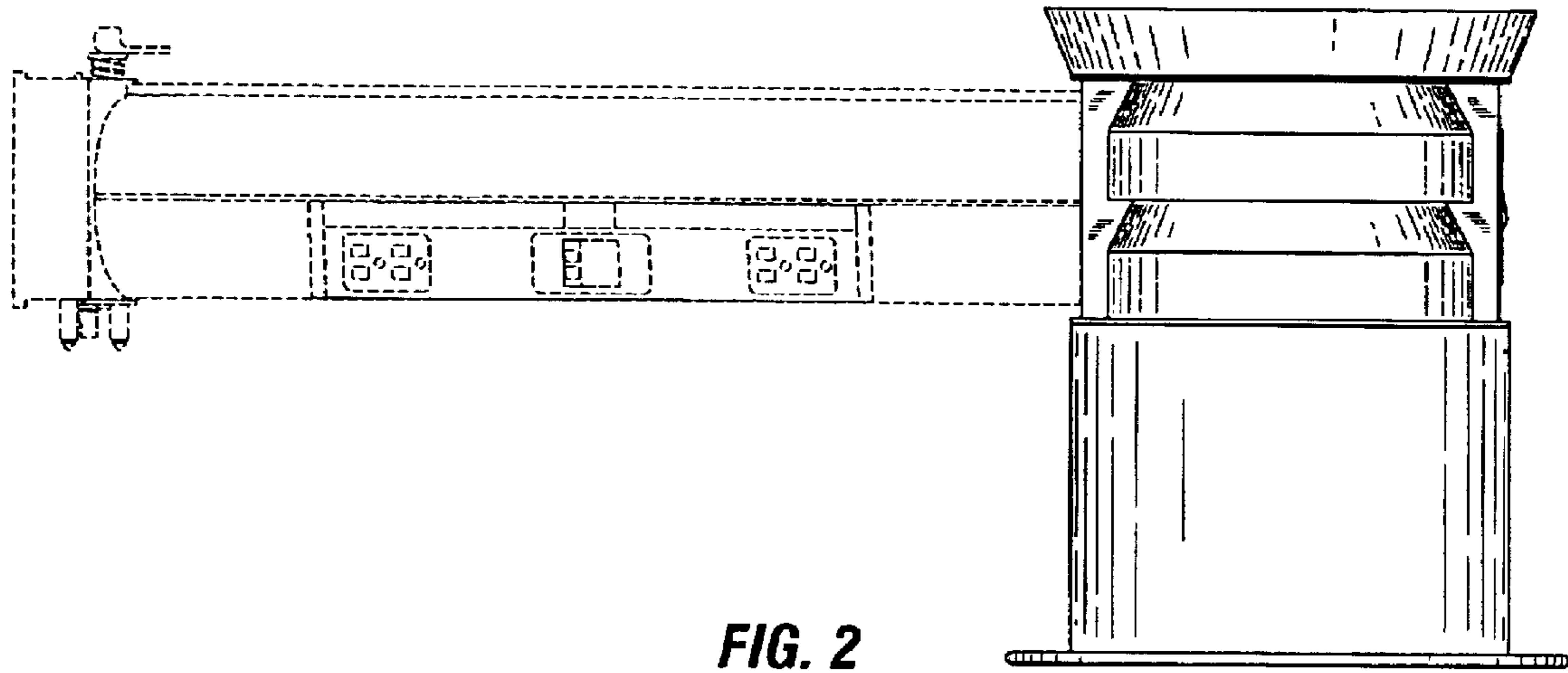


FIG. 1



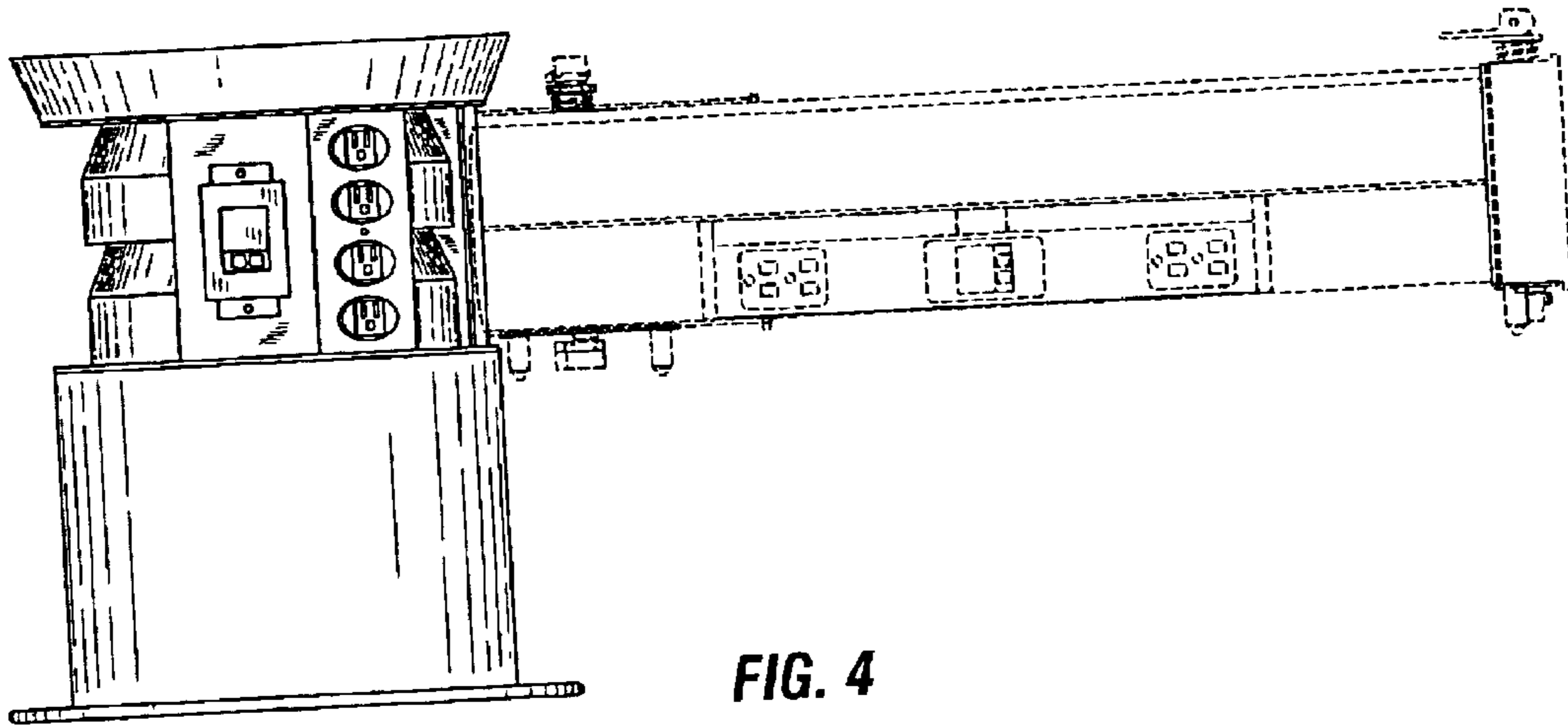


FIG. 4

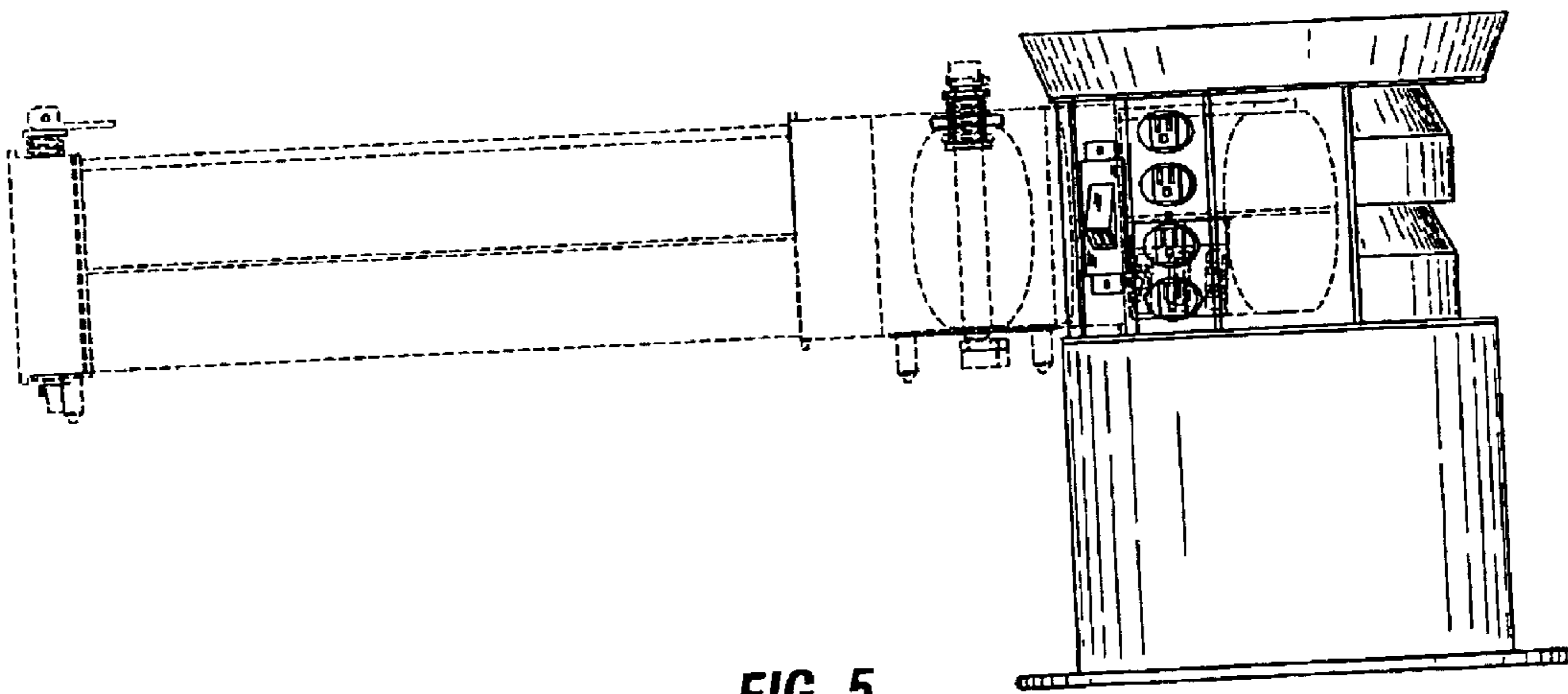


FIG. 5

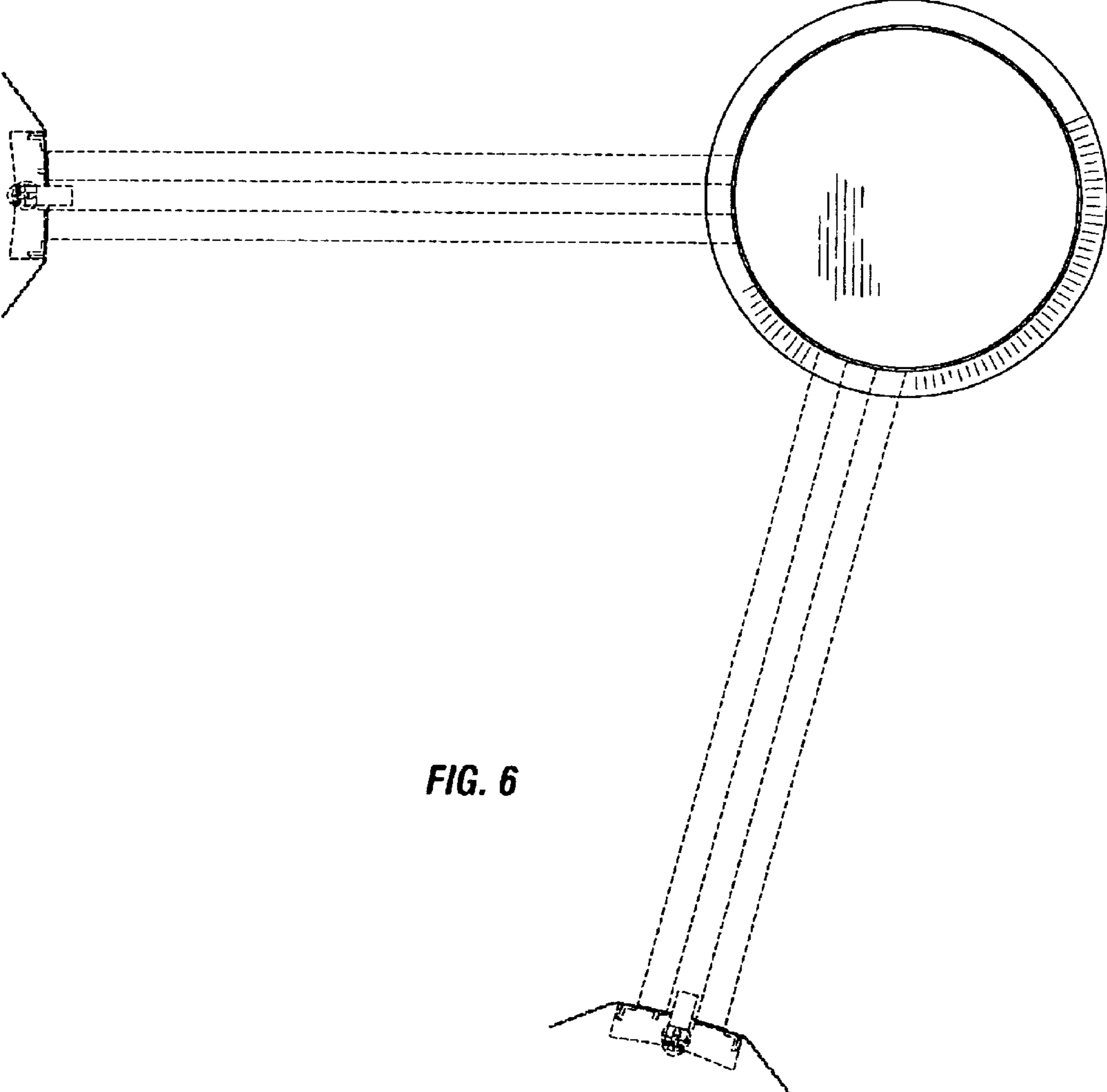


FIG. 6