



US00D515033S

(12) **United States Design Patent** (10) **Patent No.:** **US D515,033 S**
Petrick et al. (45) **Date of Patent:** **** Feb. 14, 2006**

- (54) **MODULAR SYSTEM SUPPORT**
- (75) Inventors: **Chris Petrick**, Park Ridge, IL (US);
David James Gennrich, Madison, WI (US); **Kent Bradley Chase**, Madison, WI (US); **Richard A. Nelipovich**, Madison, WI (US); **William Charles Lindeman**, Marshall, WI (US)
- (73) Assignee: **Bretford Manufacturing, Inc.**, Franklin Park, IL (US)
- (**) Term: **14 Years**
- (21) Appl. No.: **29/191,567**
- (22) Filed: **Oct. 9, 2003**
- (51) **LOC (8) Cl.** **13-03**
- (52) **U.S. Cl.** **D13/139.4**
- (58) **Field of Classification Search** D13/137.2, D13/139.1, 139.4, 139.5, 139.6, 152, 184; 439/131, 535; 174/53
See application file for complete search history.

- 5,215,280 A 6/1993 Tigrett
- D349,580 S * 8/1994 Sieler et al. D25/126
- 5,362,923 A 11/1994 Newhouse et al.
- D354,904 S 1/1995 Halsten
- 5,511,348 A 4/1996 Cornell et al.
- 5,606,919 A 3/1997 Fox et al.
- 5,606,920 A 3/1997 Meyer et al.
- D378,731 S 4/1997 Kopish
- D387,652 S 12/1997 Carlson, Jr.
- 5,971,508 A 10/1999 Deimen et al.
- D418,815 S * 1/2000 Byrne D13/146
- 6,029,713 A 2/2000 Miranda
- 6,037,538 A 3/2000 Brooks
- D434,001 S * 11/2000 Sayger D13/139.5
- 6,226,931 B1 5/2001 Haversat
- D446,028 S 8/2001 Ruedinger et al.
- 6,296,522 B1 * 10/2001 Ho 439/640
- D450,037 S * 11/2001 Yu D13/139.4
- D450,038 S * 11/2001 Yu D13/139.4
- 6,374,548 B1 4/2002 Ruedinger et al.
- 2002/0011193 A1 1/2002 Beck et al.

* cited by examiner

Primary Examiner—Alan P. Douglas
Assistant Examiner—Rosemary Tarcza
(74) *Attorney, Agent, or Firm*—Welsh & Katz, Ltd.

(56) **References Cited**
U.S. PATENT DOCUMENTS

- 3,425,587 A 2/1969 Duross, Jr.
- 3,576,304 A 4/1971 Gillemot
- 3,794,956 A * 2/1974 Dubreuil 439/131
- D237,718 S * 11/1975 Bozich D13/139.5
- D244,465 S * 5/1977 Stoneman D13/139.4
- 4,224,769 A 9/1980 Ball et al.
- 4,307,436 A * 12/1981 Eckart et al. 361/652
- D272,655 S * 2/1984 Smith D26/51
- 4,535,703 A 8/1985 Henriott et al.
- 4,771,583 A 9/1988 Ball et al.
- D299,821 S * 2/1989 Dively D13/139.5
- 4,831,791 A 5/1989 Ball
- D314,182 S * 1/1991 Moerman D13/152
- 5,150,554 A 9/1992 Quinlan, Jr. et al.
- 5,152,698 A 10/1992 Juhlin et al.

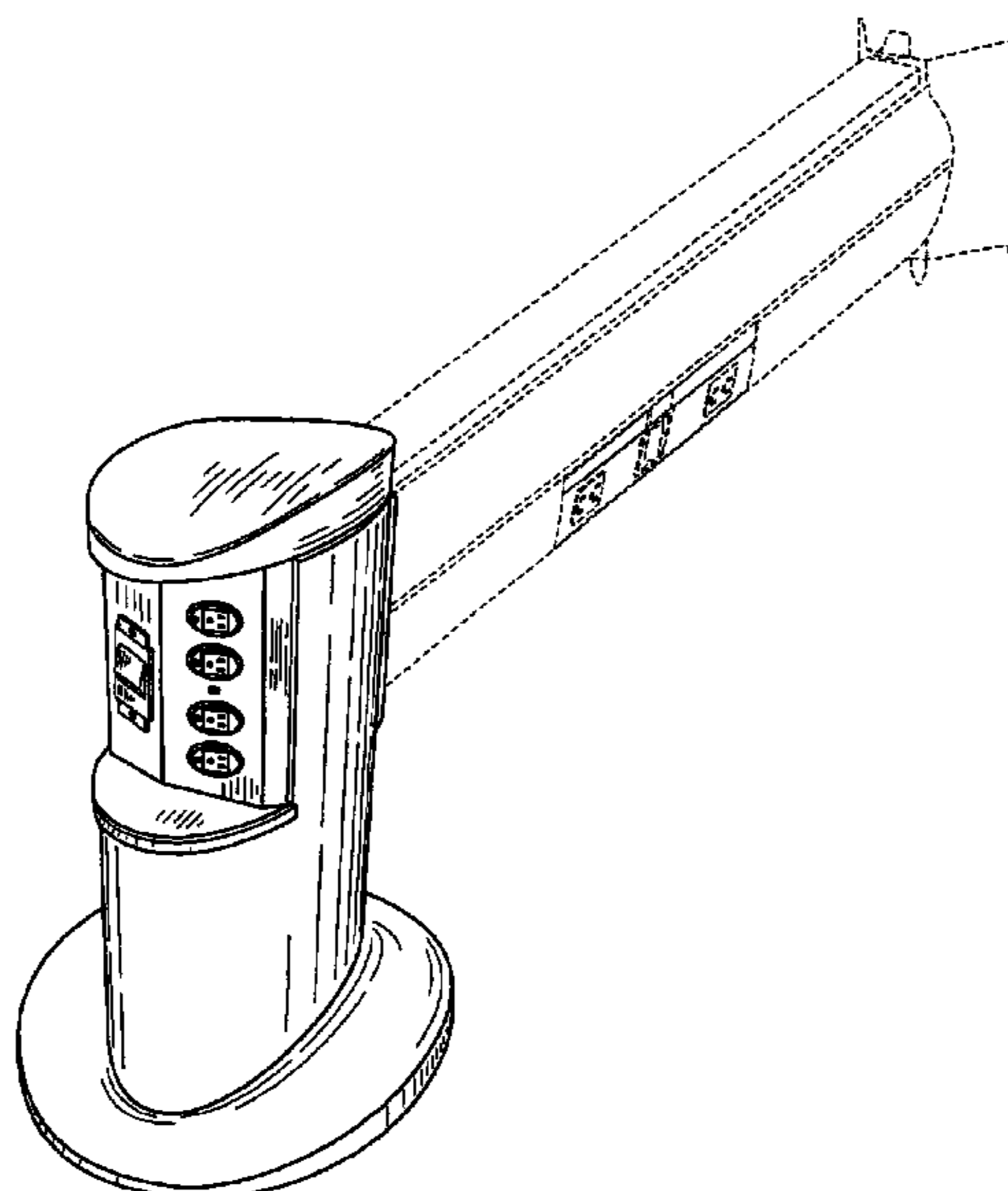
(57) **CLAIM**

The ornamental design for a modular system support, as shown and described.

DESCRIPTION

FIG. 1 is a perspective view of the modular system support; FIG. 2 is a front elevational view thereof; FIG. 3 is a rear elevational view thereof; FIG. 4 is a left side elevational view thereof; FIG. 5 is a right side elevational view thereof; and, FIG. 6 is a top view thereof, the bottom being unadorned. The phantom line showing of environment is for illustrative purposes only.

1 Claim, 4 Drawing Sheets



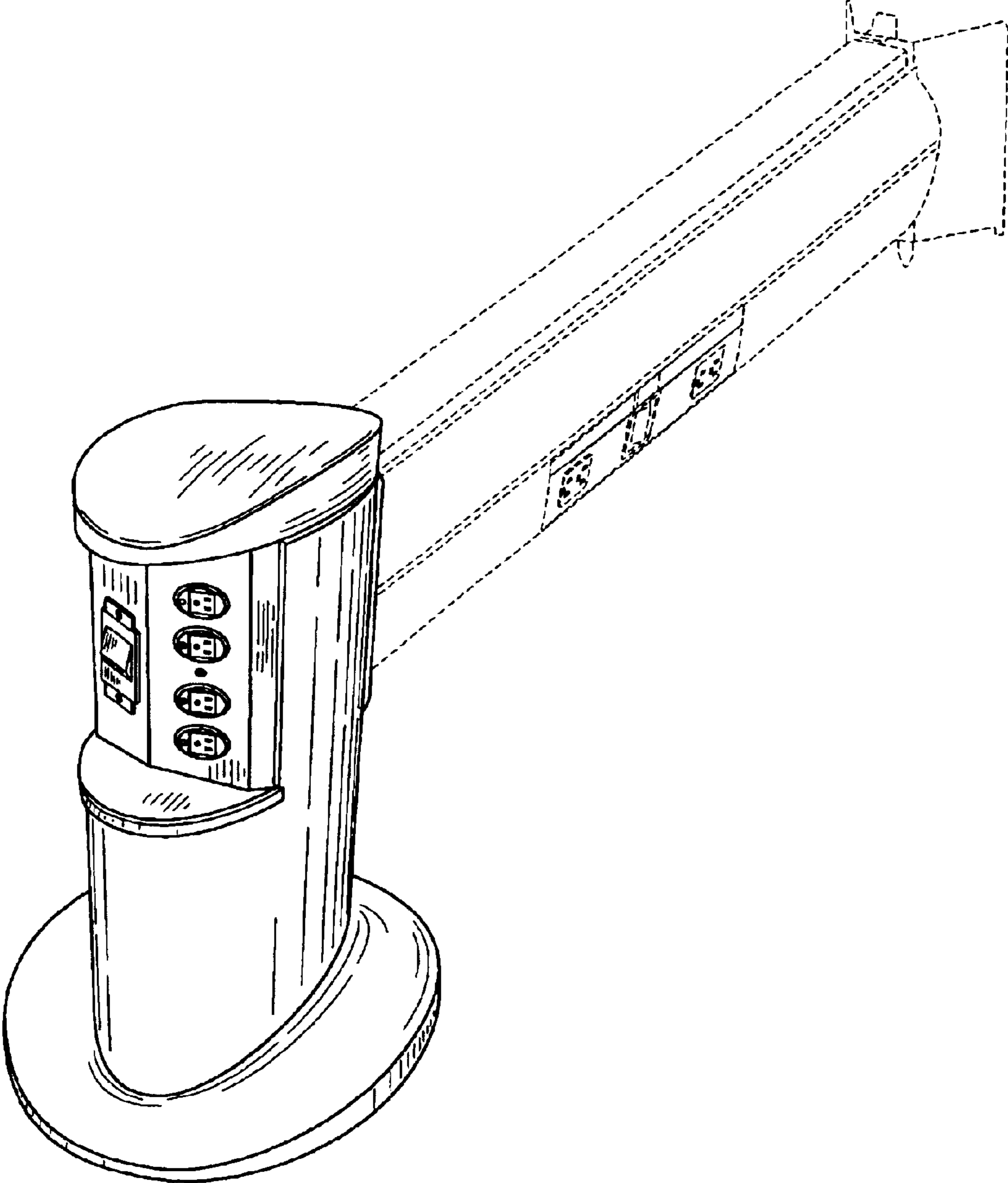


FIG. 1

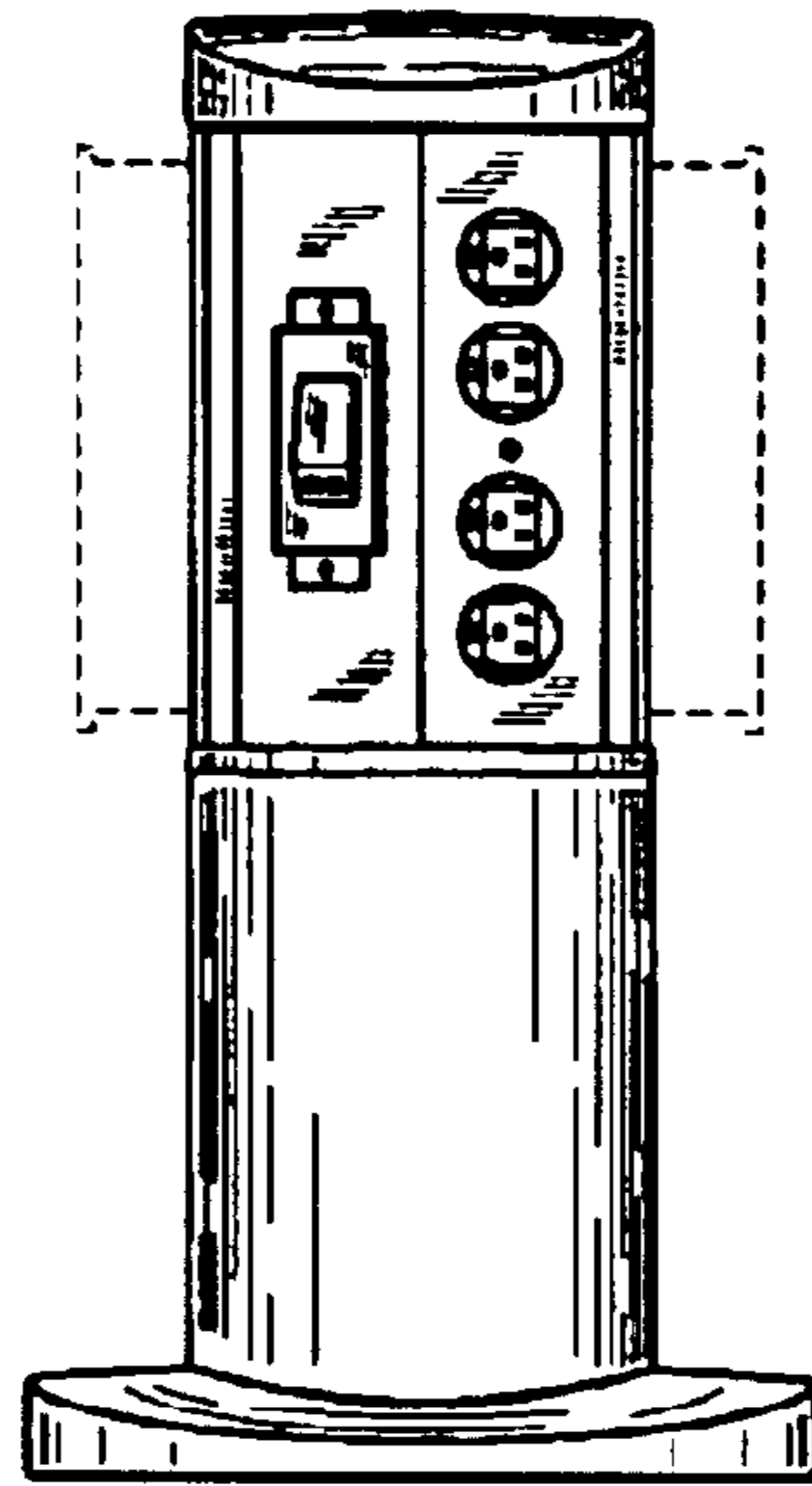


FIG. 2

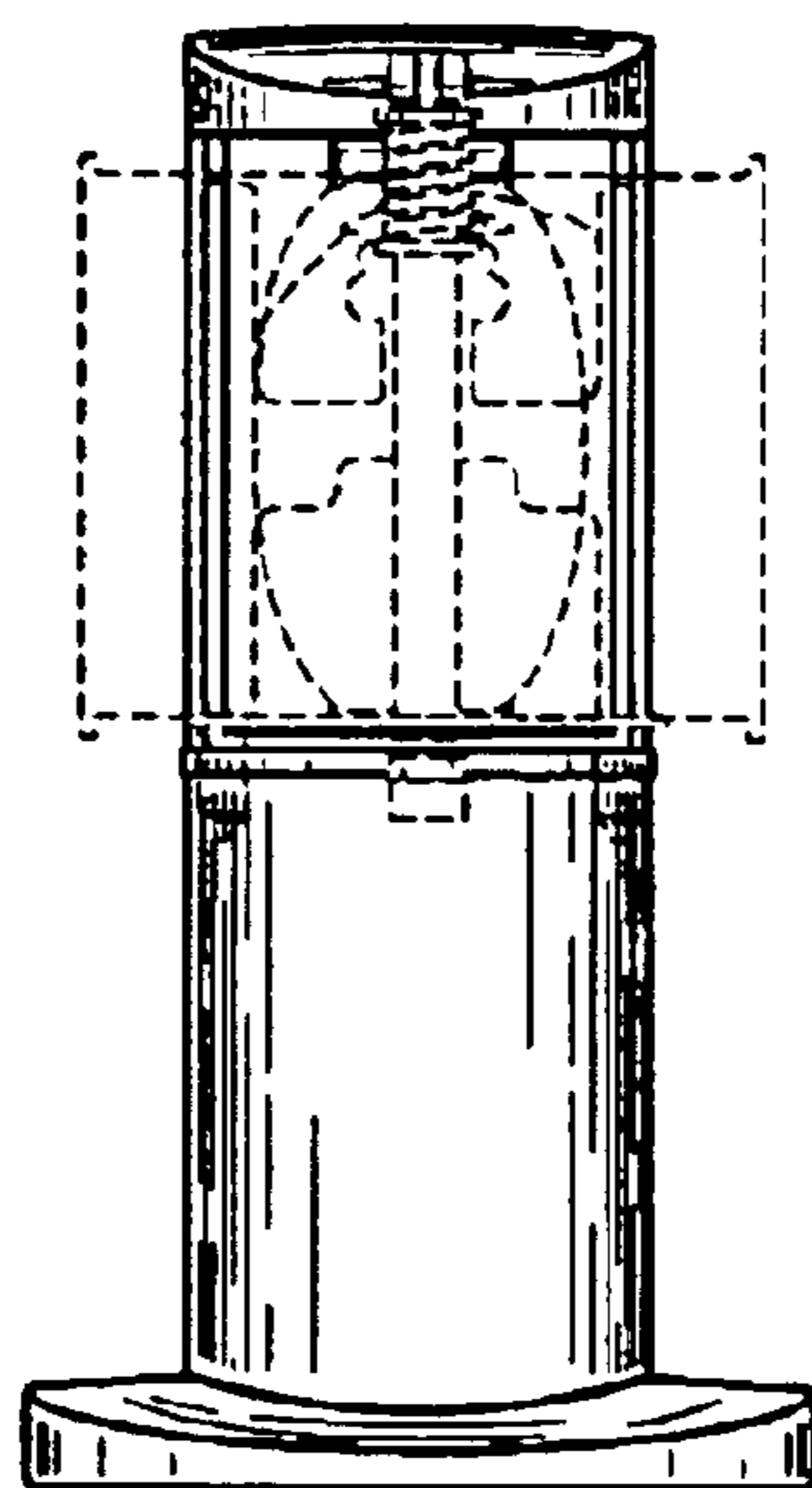


FIG. 3

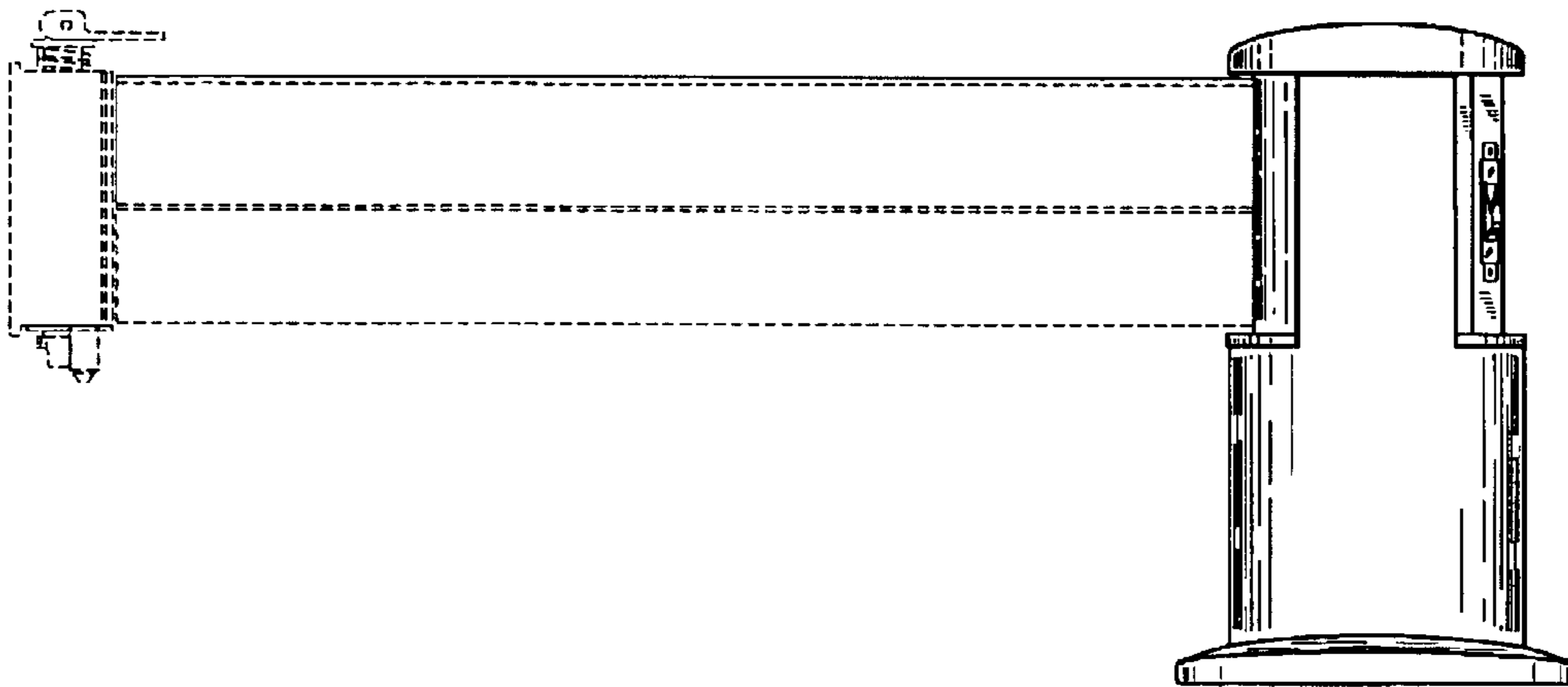


FIG. 4

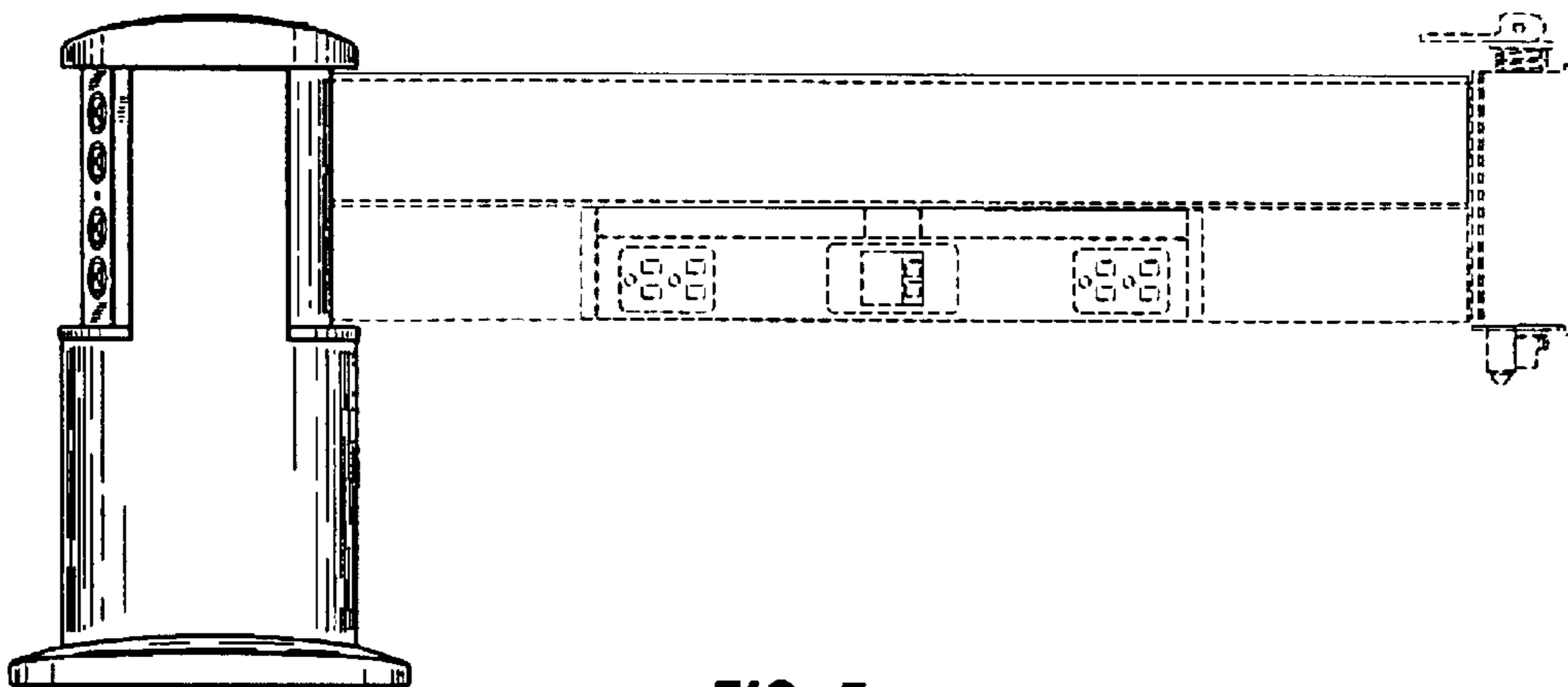


FIG. 5

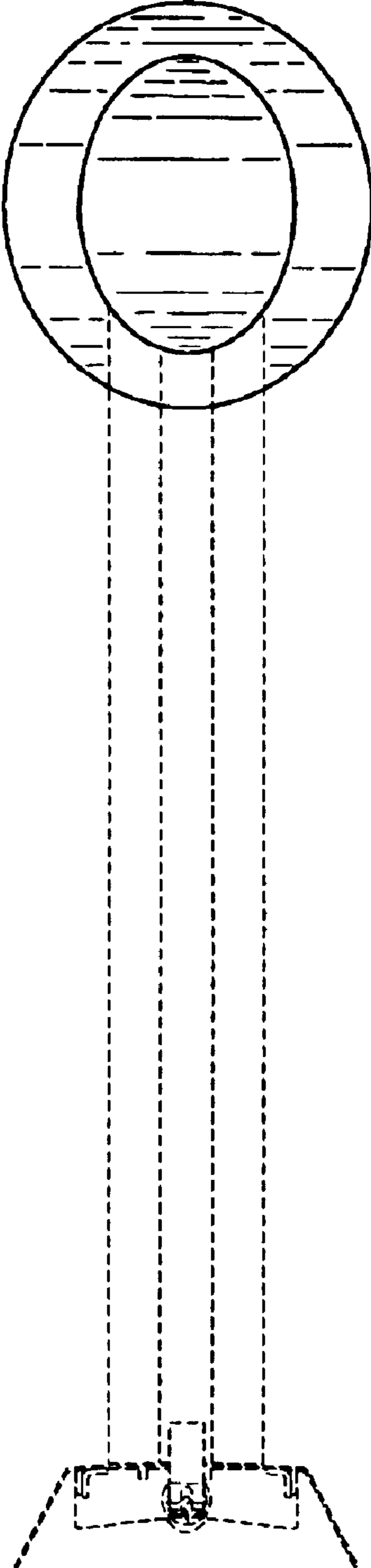


FIG. 6