



US00D515032S

(12) **United States Design Patent** (10) **Patent No.:** **US D515,032 S**  
**Petrick et al.** (45) **Date of Patent:** **\*\* Feb. 14, 2006**

- (54) **MODULAR SYSTEM CHANNEL**
- (75) Inventors: **Chris Petrick**, Oak Park, IL (US);  
**David James Gennrich**, Madison, WI (US); **Kent Bradley Chase**, Madison, WI (US); **Richard A. Nelipovich**, Madison, WI (US); **William Charles Lindeman**, Marshall, WI (US)
- (73) Assignee: **Bretford Manufacturing, Inc.**, Franklin Park, IL (US)
- (\*\*) Term: **14 Years**
- (21) Appl. No.: **29/191,541**
- (22) Filed: **Oct. 9, 2003**
- (51) **LOC (8) Cl.** ..... **13-03**
- (52) **U.S. Cl.** ..... **D13/139.2**
- (58) **Field of Classification Search** .. D13/137.1-137.4, D13/139.1-139.8, 124, 160, 162, 164, 178; 361/118-119; 439/106-108, 188, 535, 650-654  
 See application file for complete search history.

(56) **References Cited**

**U.S. PATENT DOCUMENTS**

D131,026 S	*	1/1942	O'Brien	.....	D13/139.2
3,425,587 A		2/1969	Duross, Jr.		
D217,251 S	*	4/1970	Kahn	.....	D13/139.8
3,576,304 A		4/1971	Gillemot		
D221,949 S	*	9/1971	Brenner	.....	D13/118
4,164,618 A	*	8/1979	Casasanta	.....	174/48
4,224,769 A		9/1980	Ball et al.		
D270,831 S	*	10/1983	Jensen	.....	D13/139.5
4,535,703 A		8/1985	Henriott et al.		
4,771,583 A		9/1988	Ball et al.		
4,831,791 A		5/1989	Ball		
5,150,554 A		9/1992	Quinlan, Jr. et al.		
5,152,698 A		10/1992	Juhlin et al.		
5,215,280 A		6/1993	Tigrett		

5,362,923 A		11/1994	Newhouse et al.		
D354,904 S		1/1995	Halsten		
D365,802 S	*	1/1996	Fladung	.....	D13/139.8
5,511,348 A		4/1996	Cornell et al.		
5,606,919 A		3/1997	Fox et al.		
5,606,920 A		3/1997	Meyer et al.		
D378,731 S		4/1997	Kopish		
D387,652 S		12/1997	Carlson, Jr.		
5,971,508 A		10/1999	Deimen et al.		
6,029,713 A		2/2000	Miranda		
6,037,538 A		3/2000	Brooks		
6,226,931 B1		5/2001	Haversat		
D446,028 S		8/2001	Ruedinger et al.		
D448,346 S	*	9/2001	Hellwig et al.	.....	D13/139.5
6,374,548 B1		4/2002	Ruedinger et al.		
D473,518 S	*	4/2003	Hellwig et al.	.....	D13/139.5
2005/0101193 A1	*	5/2005	Godard	.....	439/652

\* cited by examiner

*Primary Examiner*—Alan P. Douglas  
*Assistant Examiner*—Rosemary Tarcza  
 (74) *Attorney, Agent, or Firm*—Welsh & Katz, Ltd.

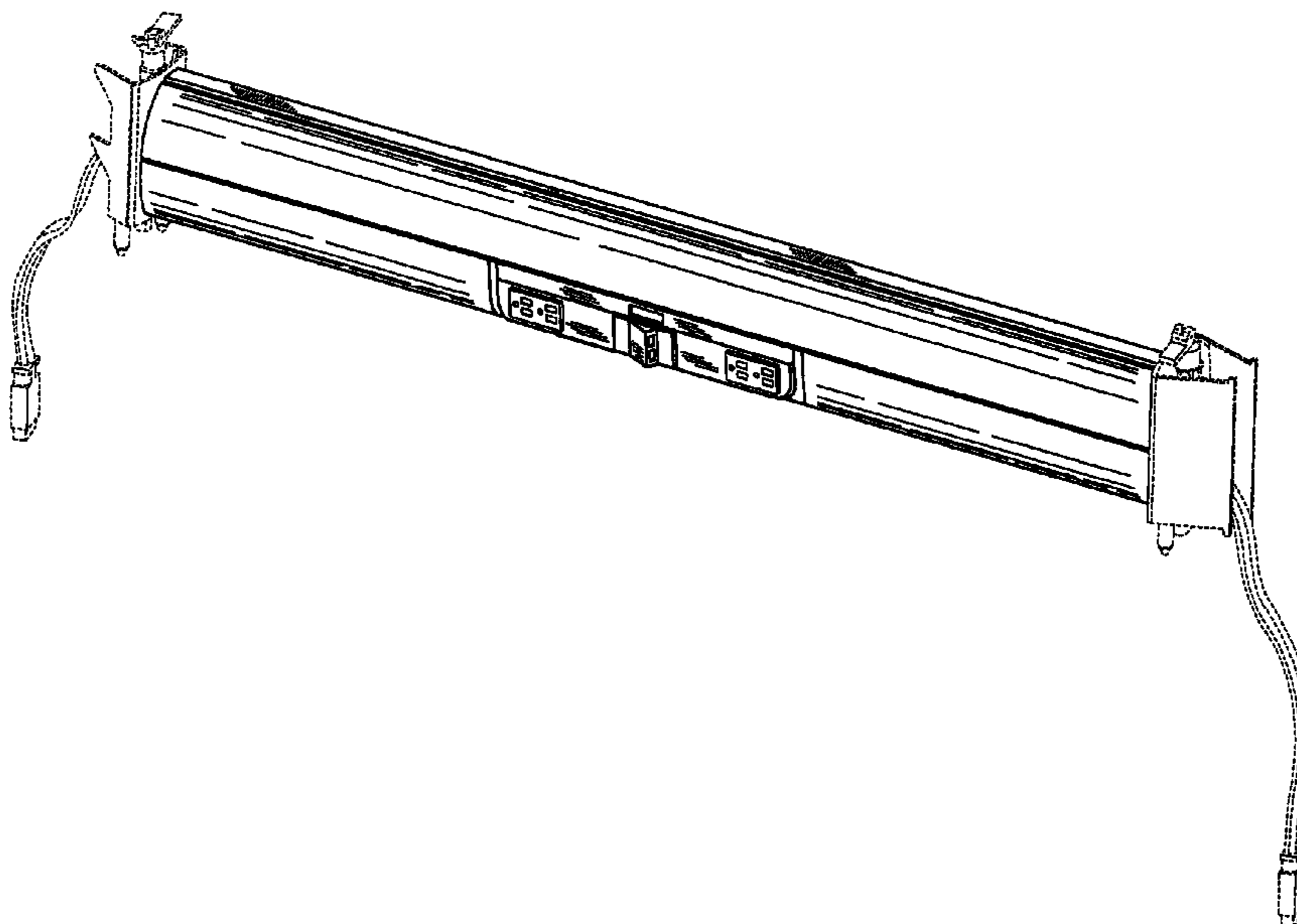
(57) **CLAIM**

The ornamental design for a modular system channel, as shown and described.

**DESCRIPTION**

FIG. 1 is a perspective view of the modular system channel; FIG. 2 is a front elevational view thereof; FIG. 3 is a rear elevational view thereof; FIG. 4 is a top plan view thereof; and, FIG. 5 is a bottom plan view thereof. The right and left sides of the modular system channel are unadorned, and, therefore, not illustrated. The phantom line showing of environment is for illustrative purposes only.

**1 Claim, 3 Drawing Sheets**



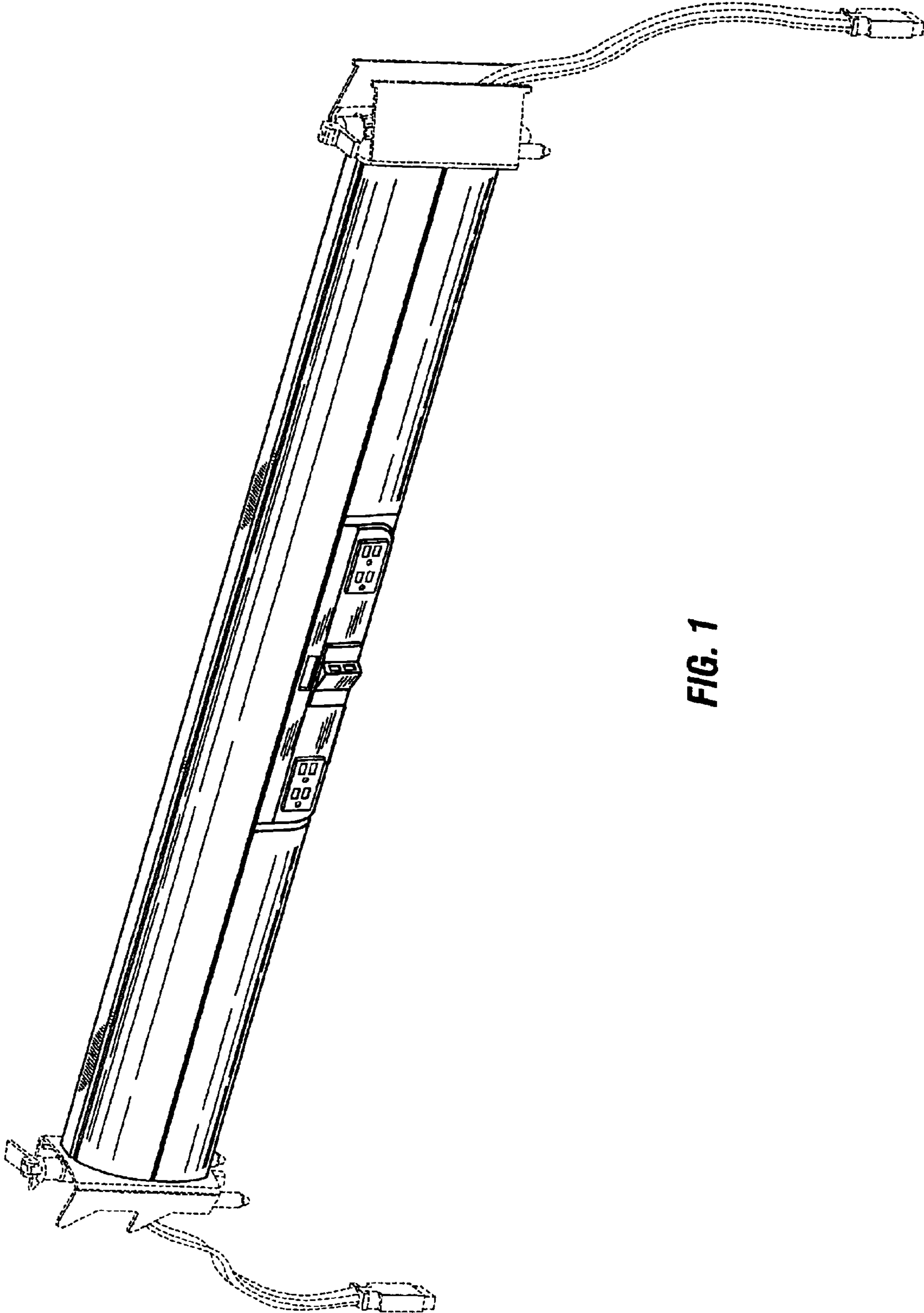
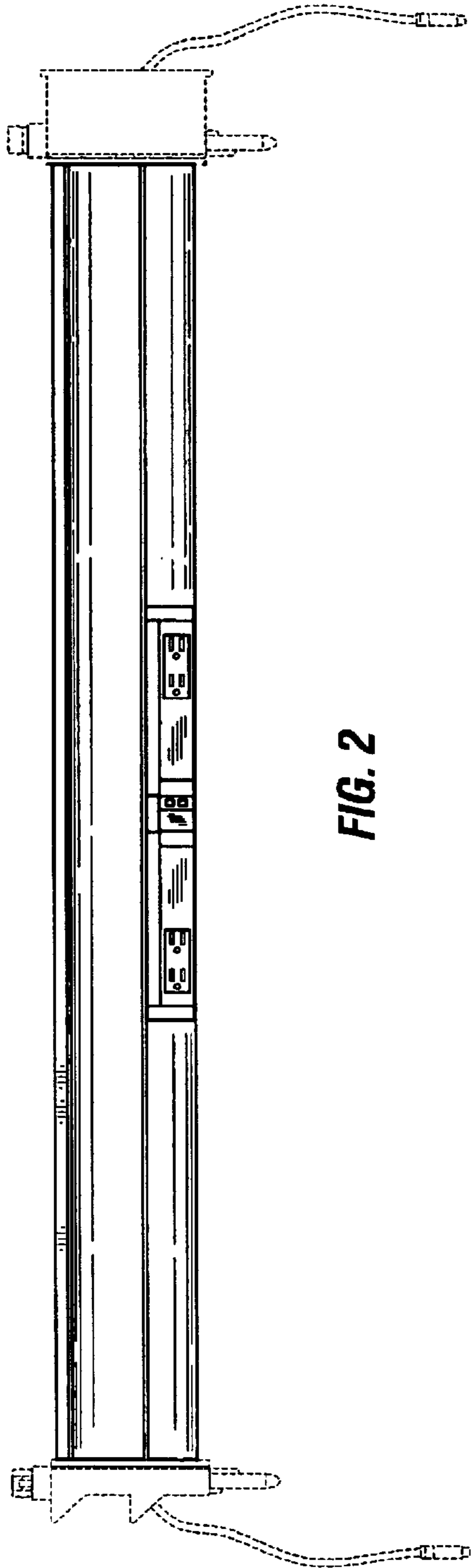
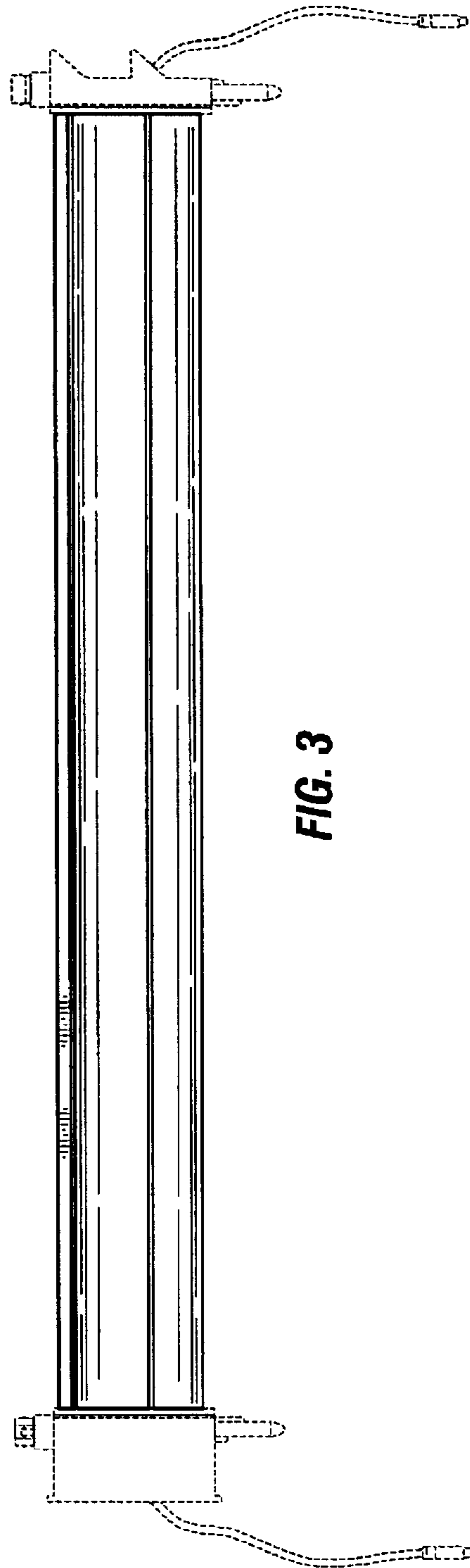


FIG. 1



**FIG. 2**



**FIG. 3**

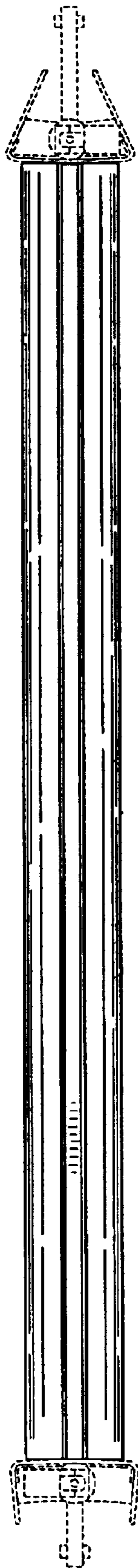


FIG. 4

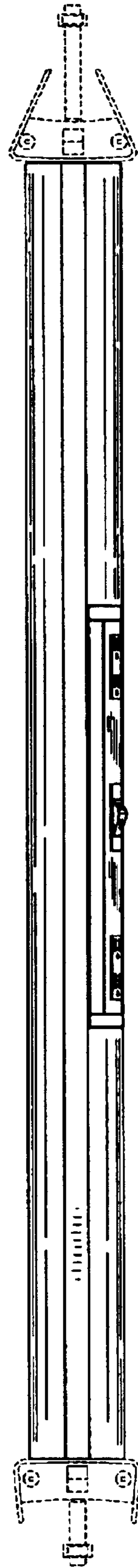


FIG. 5