



US00D515031S

(12) **United States Design Patent**
Woolley et al.

(10) **Patent No.: US D515,031 S**
(45) **Date of Patent: ** Feb. 14, 2006**

(54) **PLUG-IN WALL OUTLET ACCESSORY MODULE**

(75) Inventors: **Jonathan Jay Woolley**, Draper, UT (US); **John B. Bogdan**, Providence, UT (US); **Roger T. Johnsen**, Salt Lake City, UT (US)

(73) Assignee: **Control4 Corporation**, Draper, UT (US)

(**) Term: **14 Years**

(21) Appl. No.: **29/212,773**

(22) Filed: **Sep. 7, 2004**

(51) **LOC (8) Cl. 13-03**

(52) **U.S. Cl. D13/137.2**

(58) **Field of Classification Search** D13/123, D13/133, 137.1-137.4, 139.1-139.8, 160; D26/26; 174/48-49, 53-57; 191/12 R, 12.4; 361/42; 439/105-107, 535-536, 538, 650-655
See application file for complete search history.

(56) **References Cited**

U.S. PATENT DOCUMENTS

D318,849 S * 8/1991 Luu D13/138.2

D324,029 S * 2/1992 Luu D13/137.2
D367,038 S * 2/1996 Fladung et al. D13/137.2
D368,535 S * 4/1996 Braviroff D26/26
D450,036 S * 11/2001 Okamoto D13/137.2
D486,792 S * 2/2004 Stoughton D13/137.2

* cited by examiner

Primary Examiner—Pamela Burgess

Assistant Examiner—Rosemary Tarcza

(74) *Attorney, Agent, or Firm*—Thorpe North & Western LLP

(57) **CLAIM**

What is claimed is the ornamental design for a plug-in wall outlet accessory module, as shown and described herein.

DESCRIPTION

FIG. 1 is an elevated, front perspective view of the plug-in wall outlet accessory module in accordance with our invention;

FIG. 2 is a back view thereof;

FIG. 3 is a back perspective view thereof;

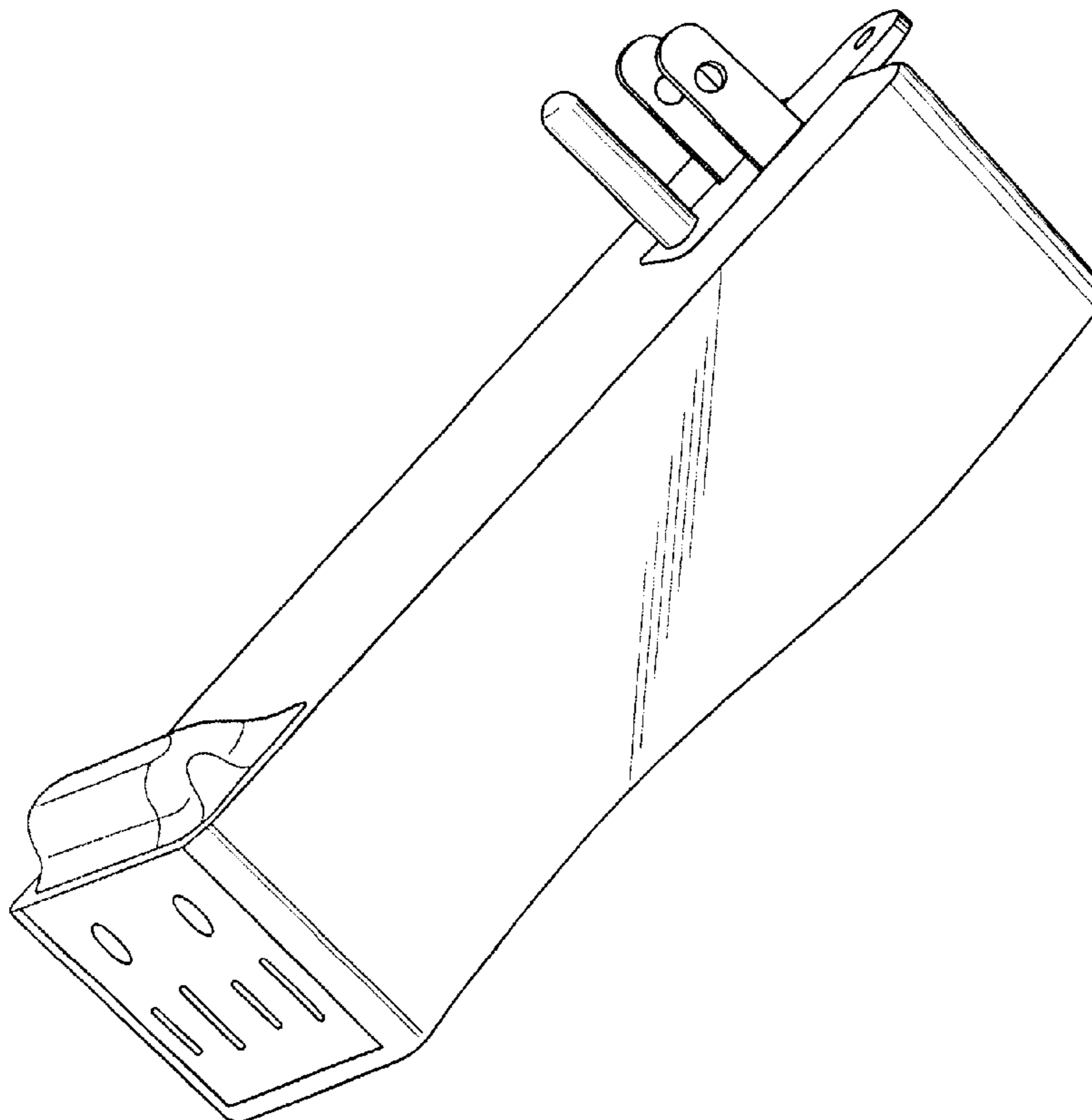
FIG. 4 is a side view;

FIG. 5 is a top view thereof;

FIG. 6 is bottom view thereof; and,

FIG. 7 is a front view of our invention as shown in FIG. 1.

1 Claim, 7 Drawing Sheets



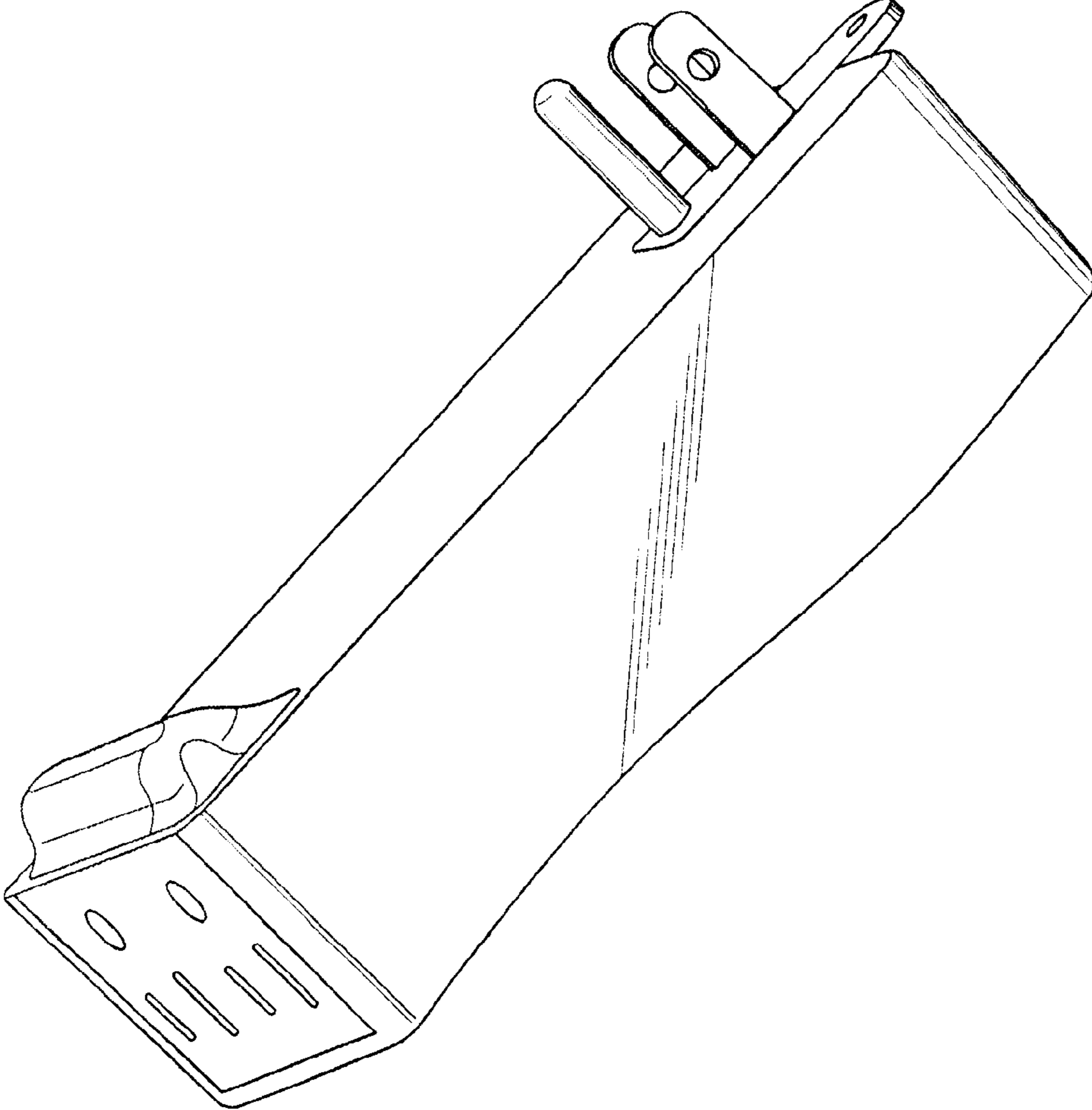


Fig. 1

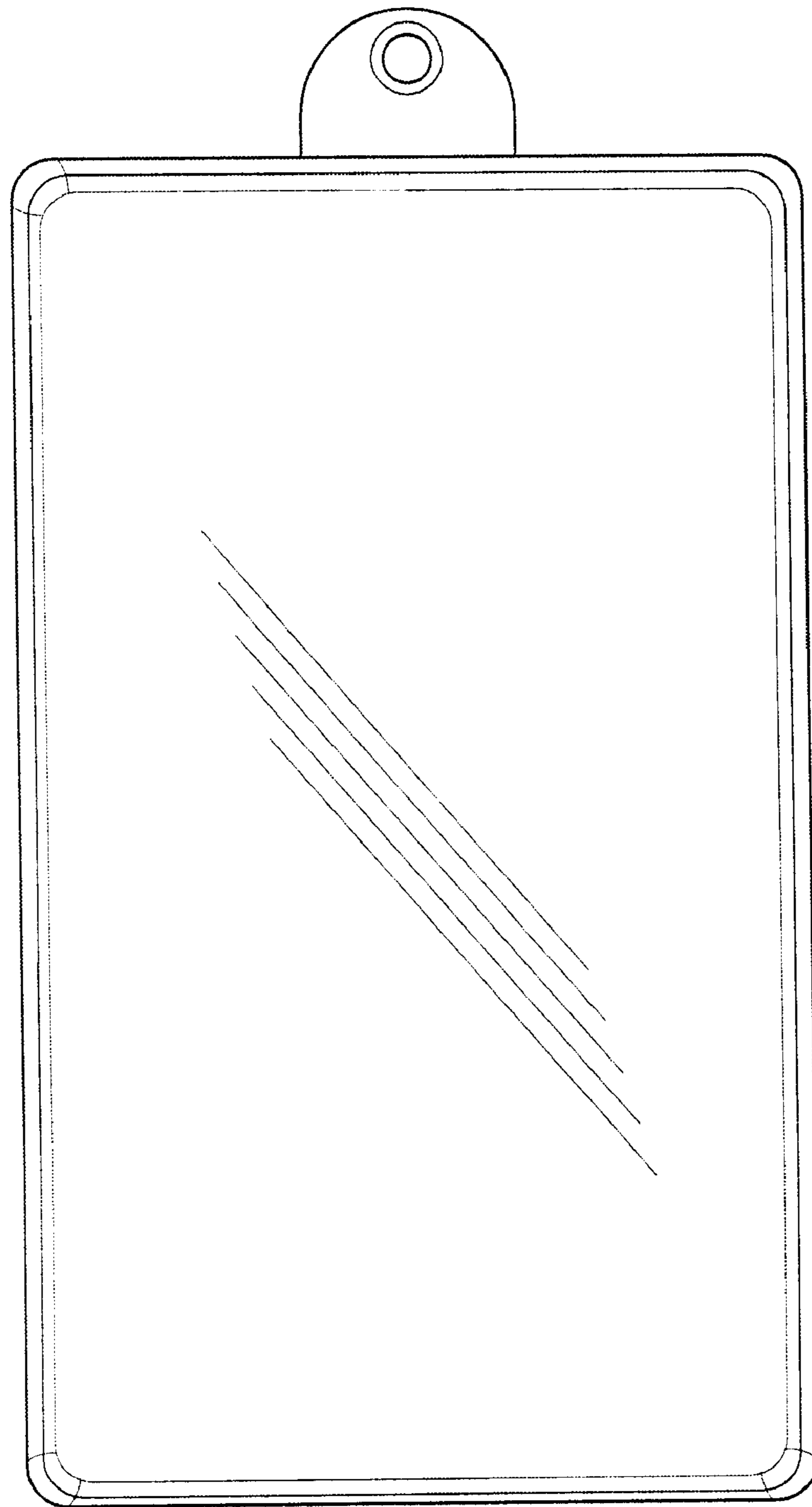


Fig. 2

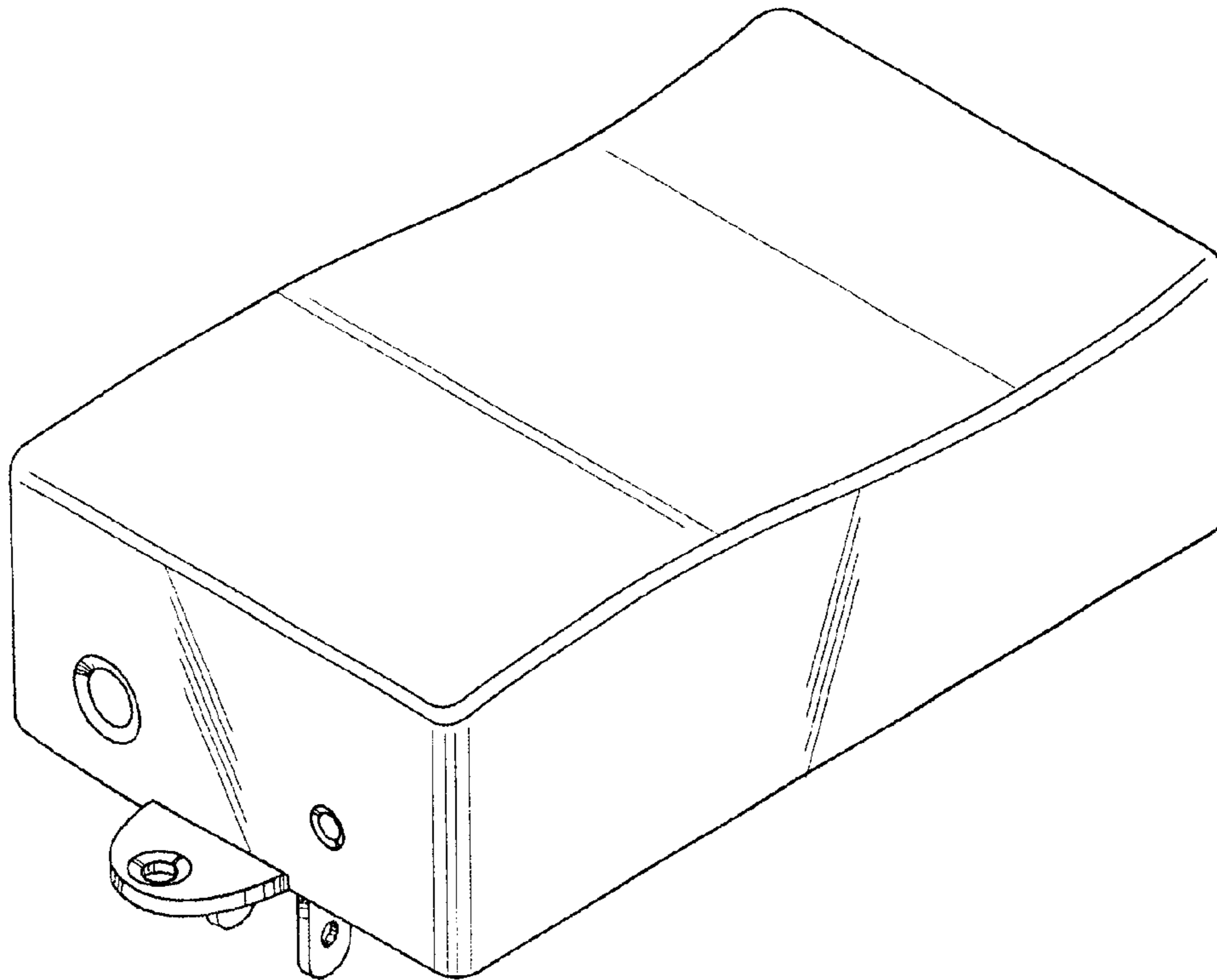


Fig. 3

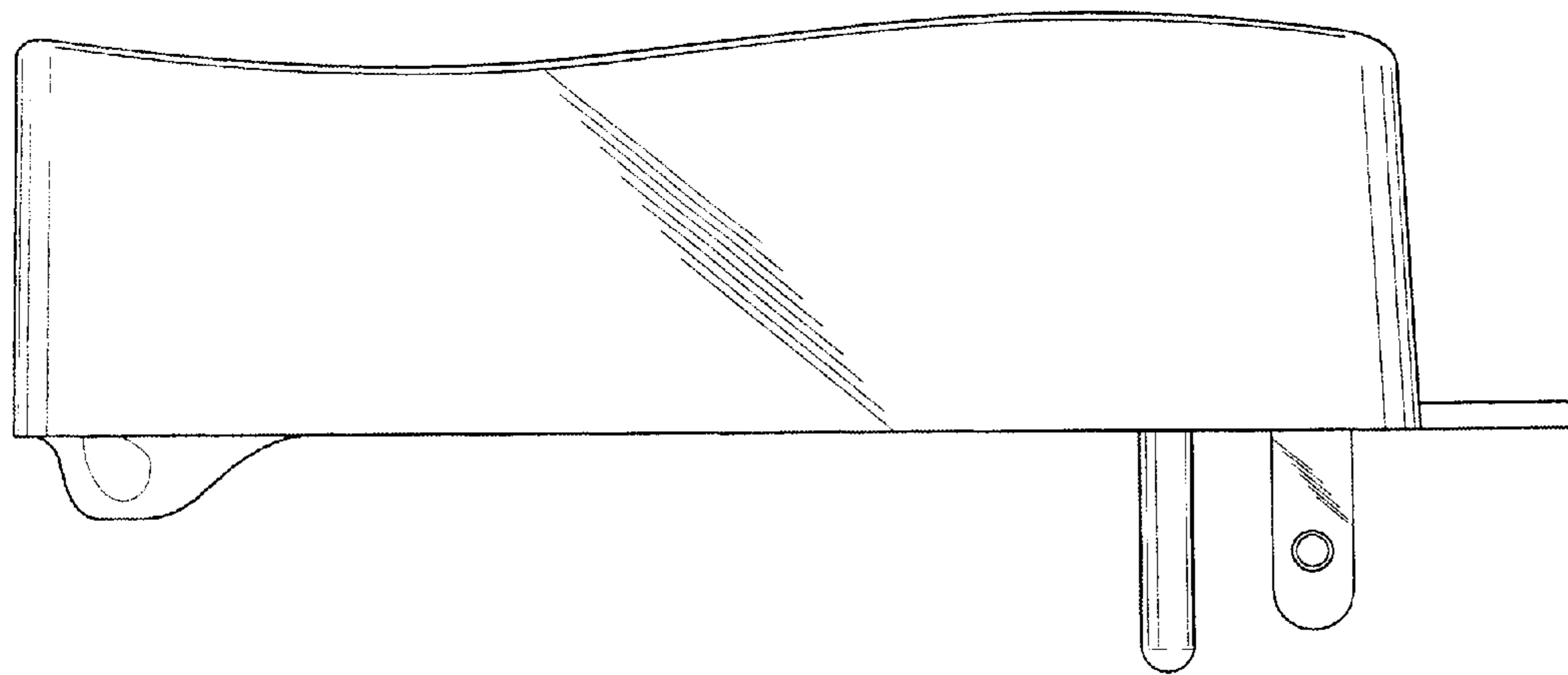


Fig. 4

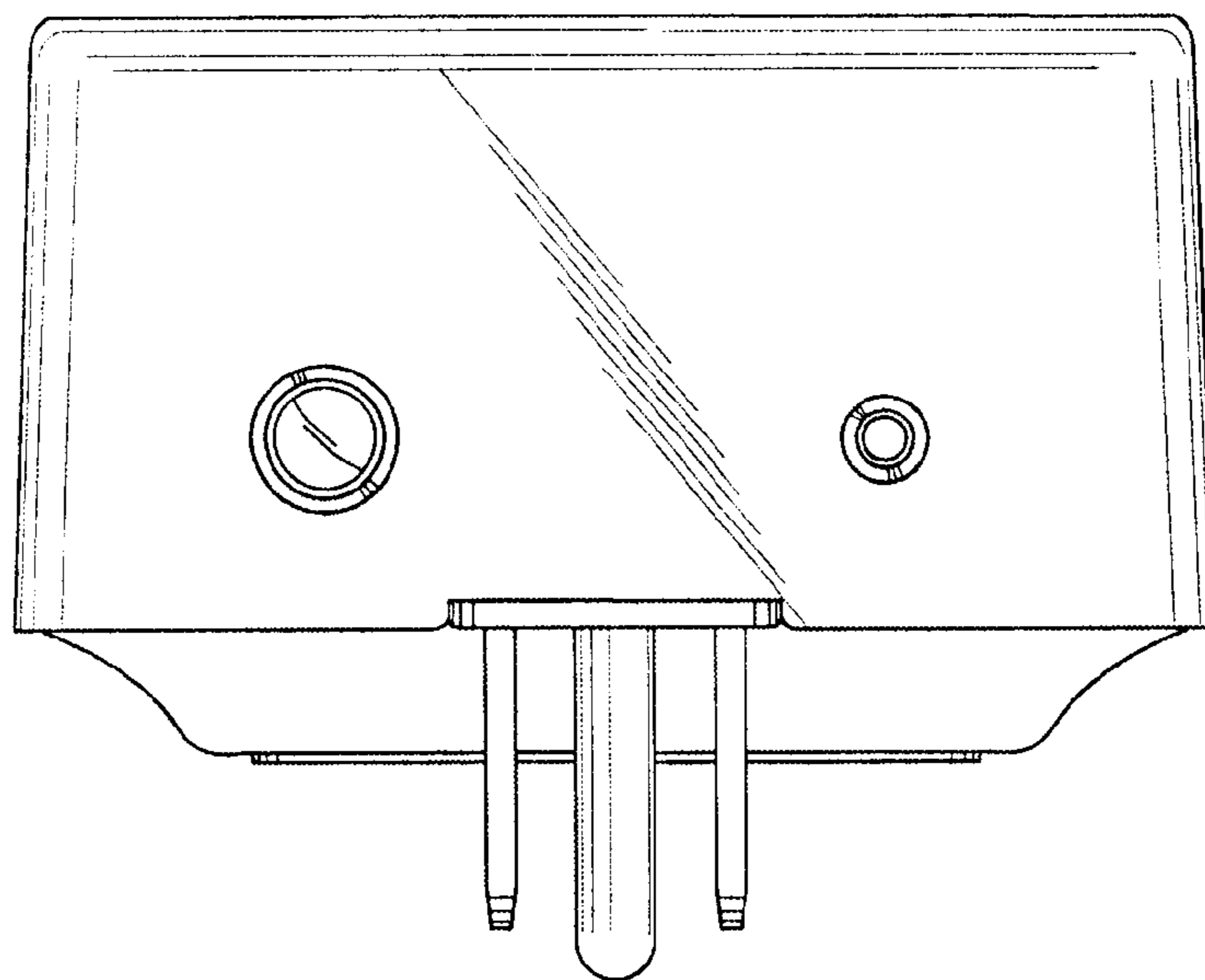


Fig. 5

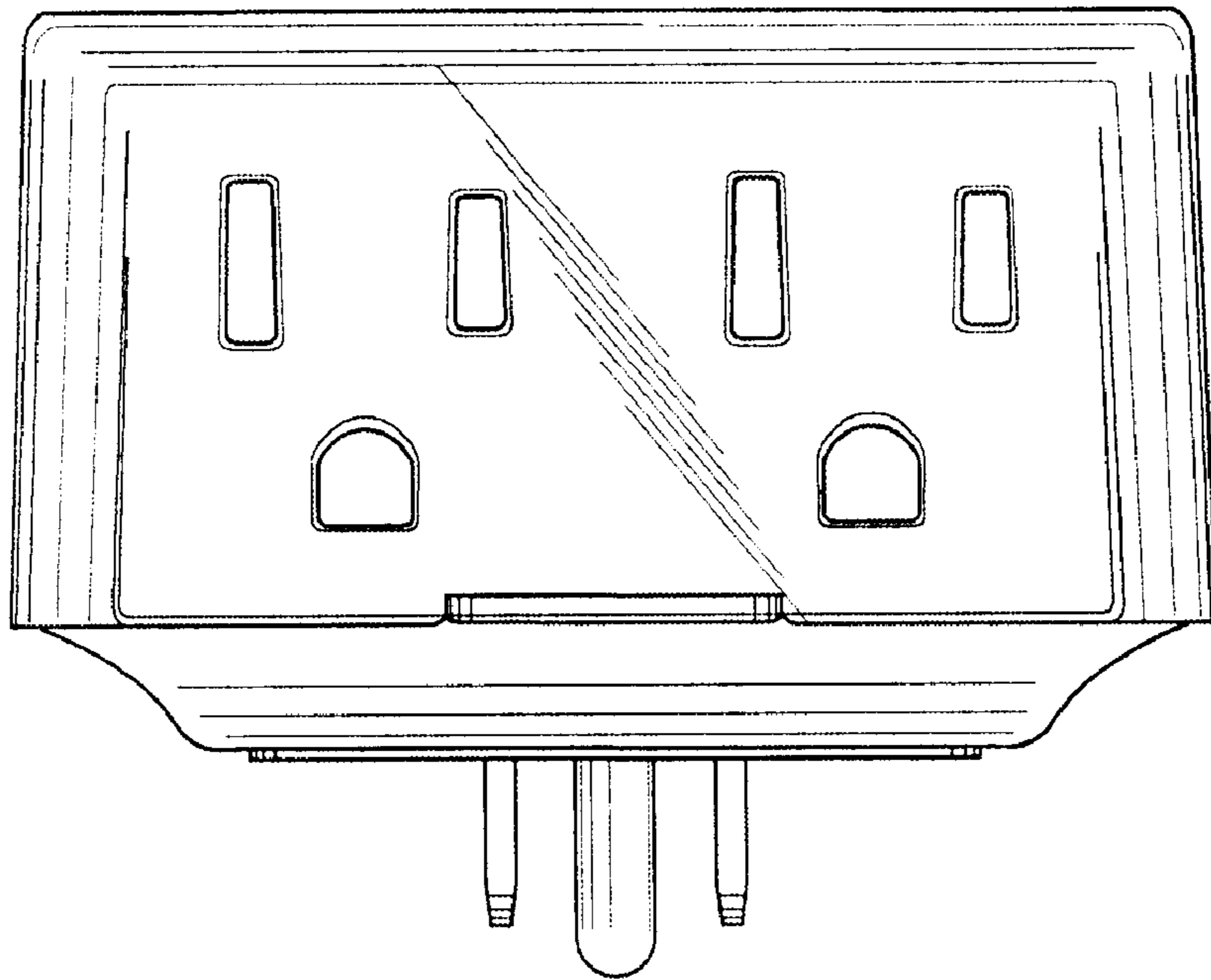


Fig. 6

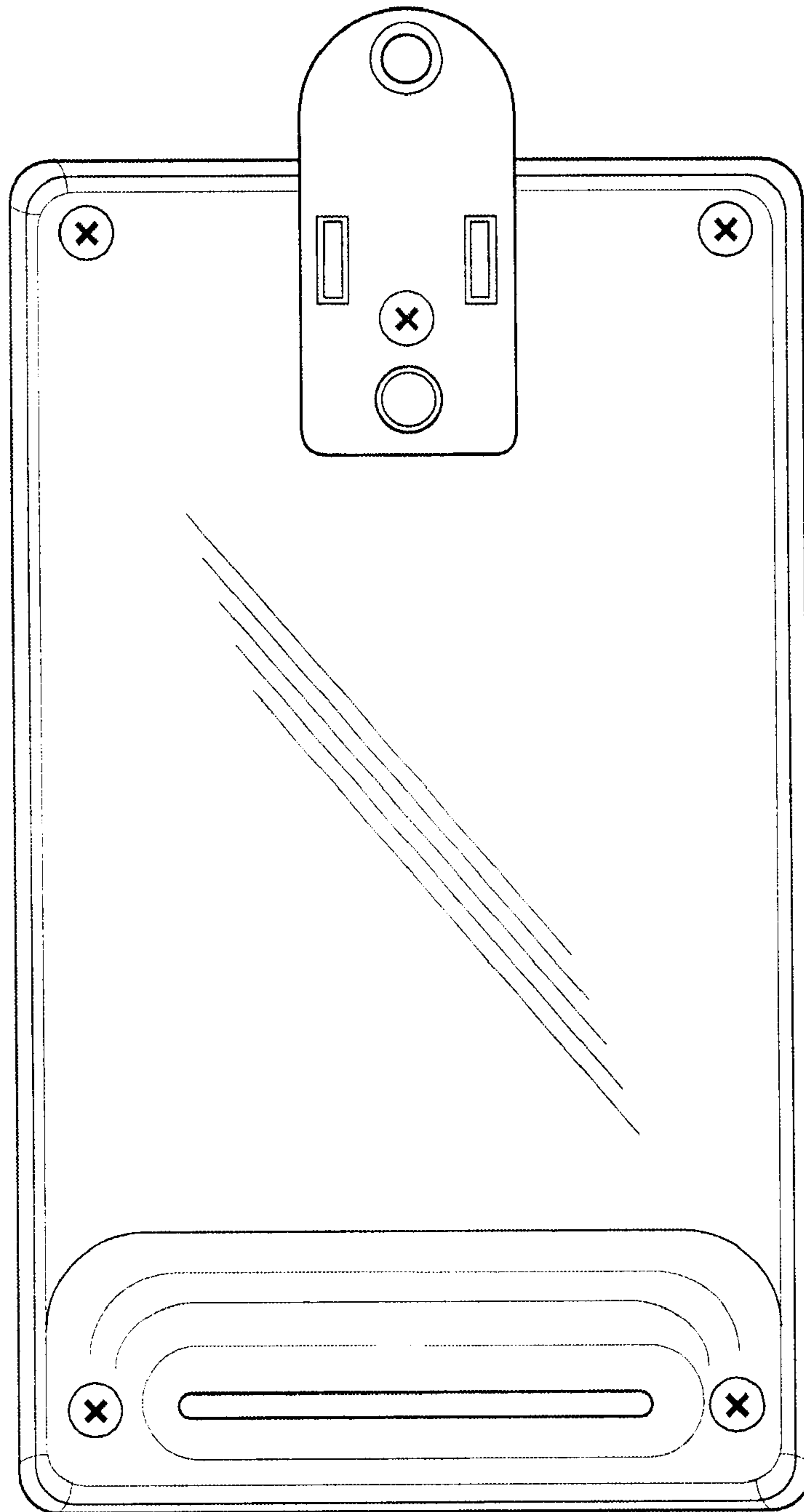


Fig. 7