



US00D515029S

(12) **United States Design Patent**  
**Hattori**

(10) **Patent No.:** **US D515,029 S**

(45) **Date of Patent:** **\*\* Feb. 14, 2006**

(54) **BATTERY CHARGER FOR TAPE PRINTING MACHINE**

(75) **Inventor:** **Satoru Hattori, Nagoya (JP)**

(73) **Assignee:** **Brother Industries, Ltd., Nagoya (JP)**

(\*\*) **Term:** **14 Years**

(21) **Appl. No.:** **29/202,228**

(22) **Filed:** **Mar. 29, 2004**

(30) **Foreign Application Priority Data**

Sep. 29, 2003 (JP) ..... 2003-028405

(51) **LOC (8) Cl.** ..... **13-02**

(52) **U.S. Cl.** ..... **D13/108**

(58) **Field of Classification Search** ..... D13/107-110,  
D13/118-119, 184; D14/251, 253, 432, 434;  
320/107-115

See application file for complete search history.

(56) **References Cited**

**U.S. PATENT DOCUMENTS**

D199,728 S \* 12/1964 Hall ..... D4/199  
D301,143 S \* 5/1989 Jackwicz et al. .... D14/142

D315,161 S \* 3/1991 Watanabe ..... D14/253  
D349,125 S \* 7/1994 Wilson et al. .... D16/208  
D428,387 S \* 7/2000 Malloy et al. .... D13/107  
D445,975 S \* 7/2001 Stratford ..... D32/31  
D472,896 S \* 4/2003 Peiker ..... D14/253

\* cited by examiner

*Primary Examiner*—Alan P. Douglas

*Assistant Examiner*—Rosemary Tarcza

(74) *Attorney, Agent, or Firm*—Oliff & Berridge, PLC

(57) **CLAIM**

The ornamental design for battery charger for tape printing machine, as shown and described.

**DESCRIPTION**

FIG. 1 is a front view of a battery charger for tape printing machine;

FIG. 2 is a top view thereof;

FIG. 3 is a left-side view thereof;

FIG. 4 is a right-side view thereof;

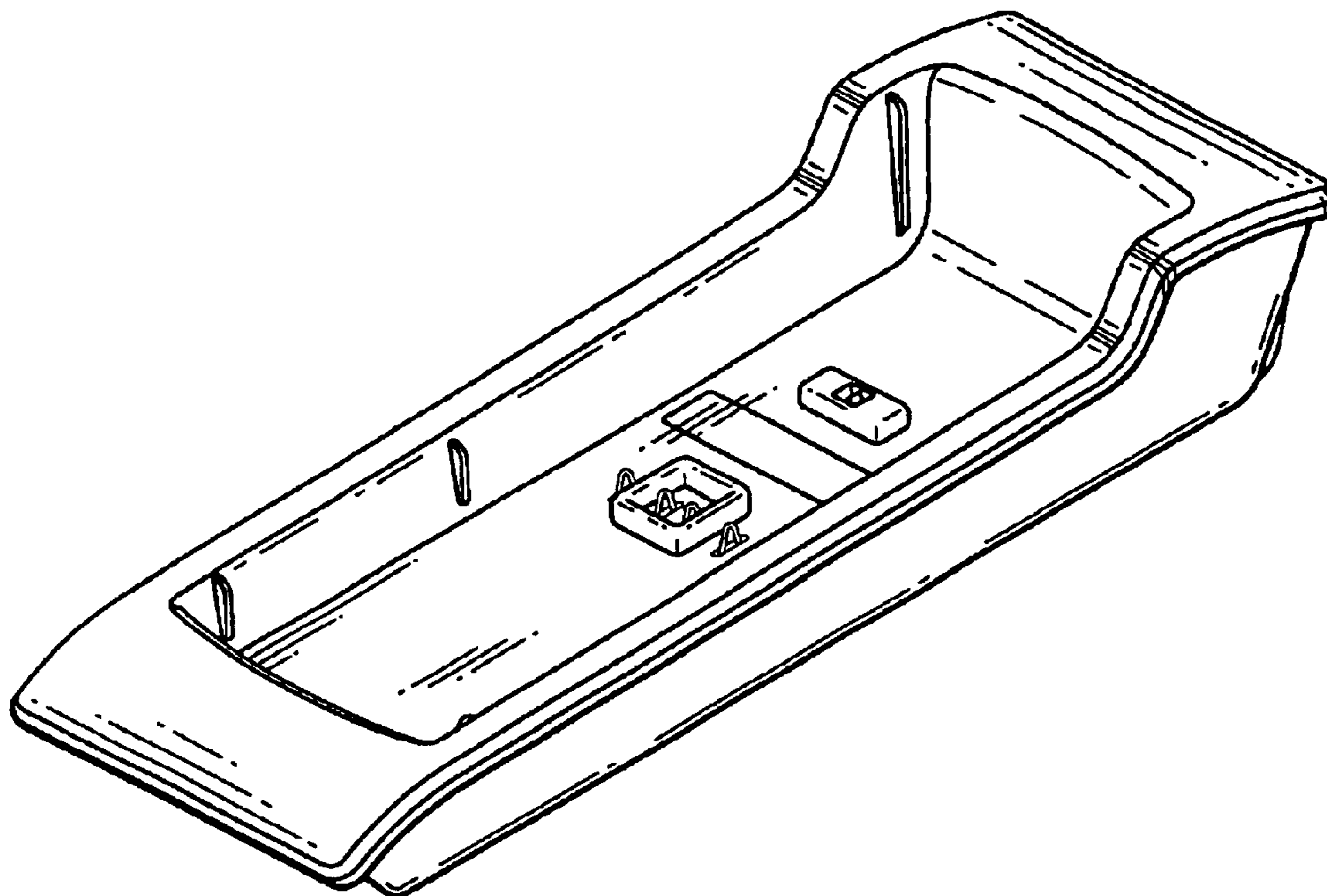
FIG. 5 is a rear view thereof;

FIG. 6 is a bottom view thereof;

FIG. 7 is a top perspective view thereof; and,

FIG. 8 is a bottom perspective view thereof.

**1 Claim, 3 Drawing Sheets**



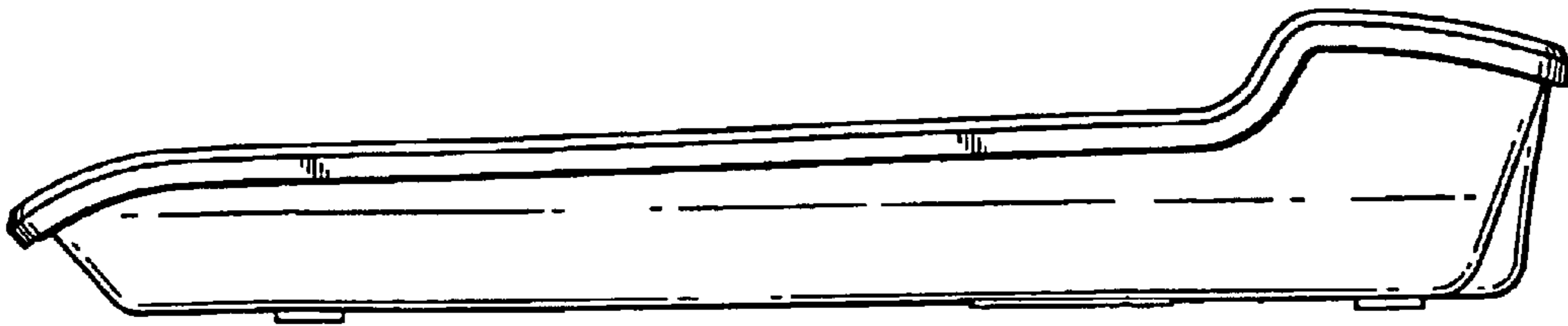


FIG. 1

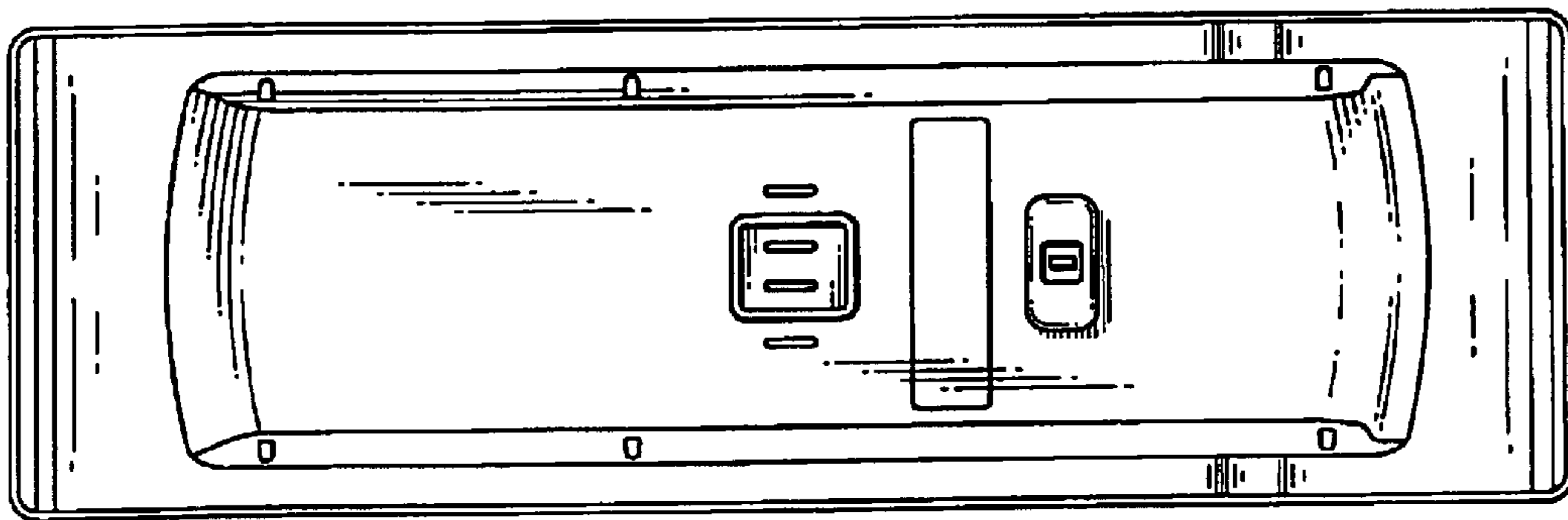


FIG. 2

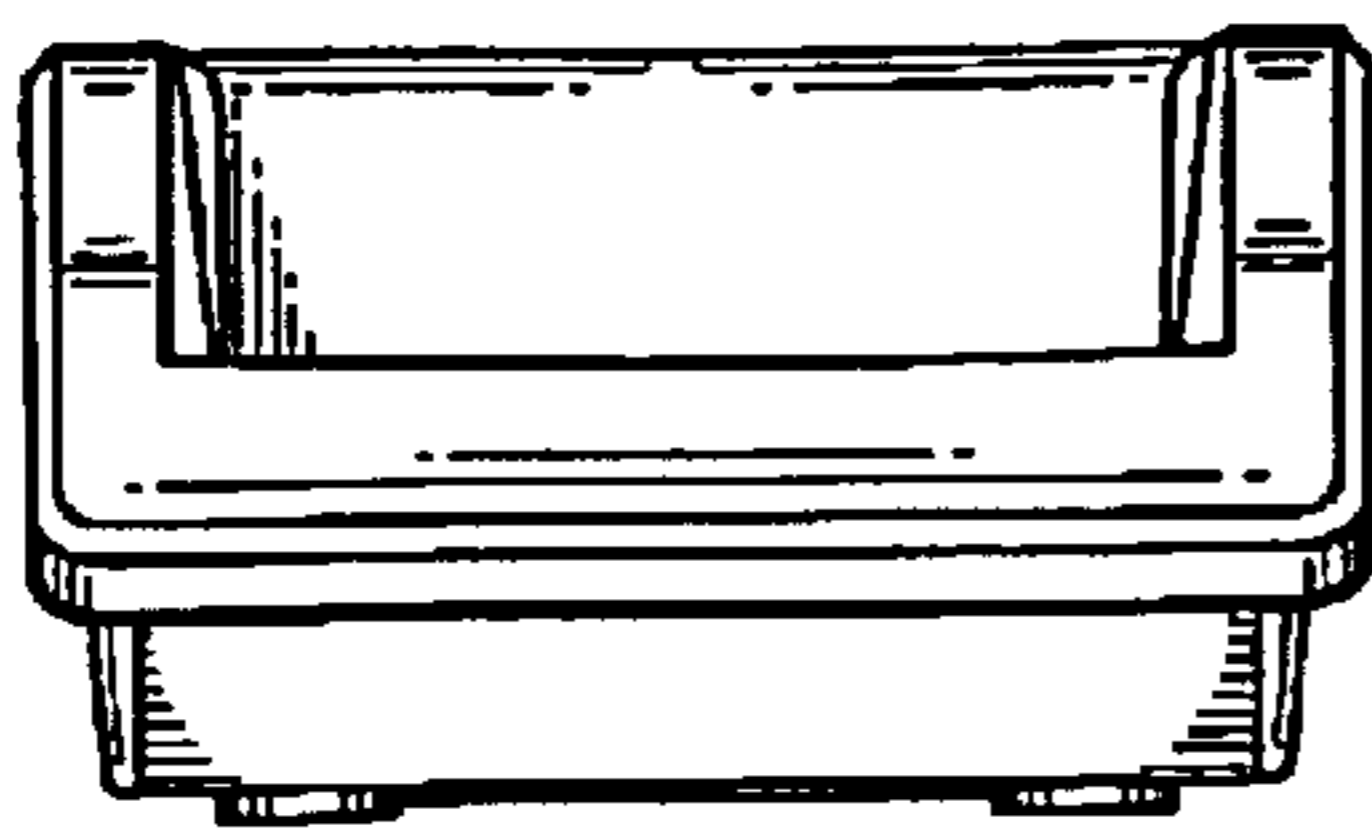


FIG. 3

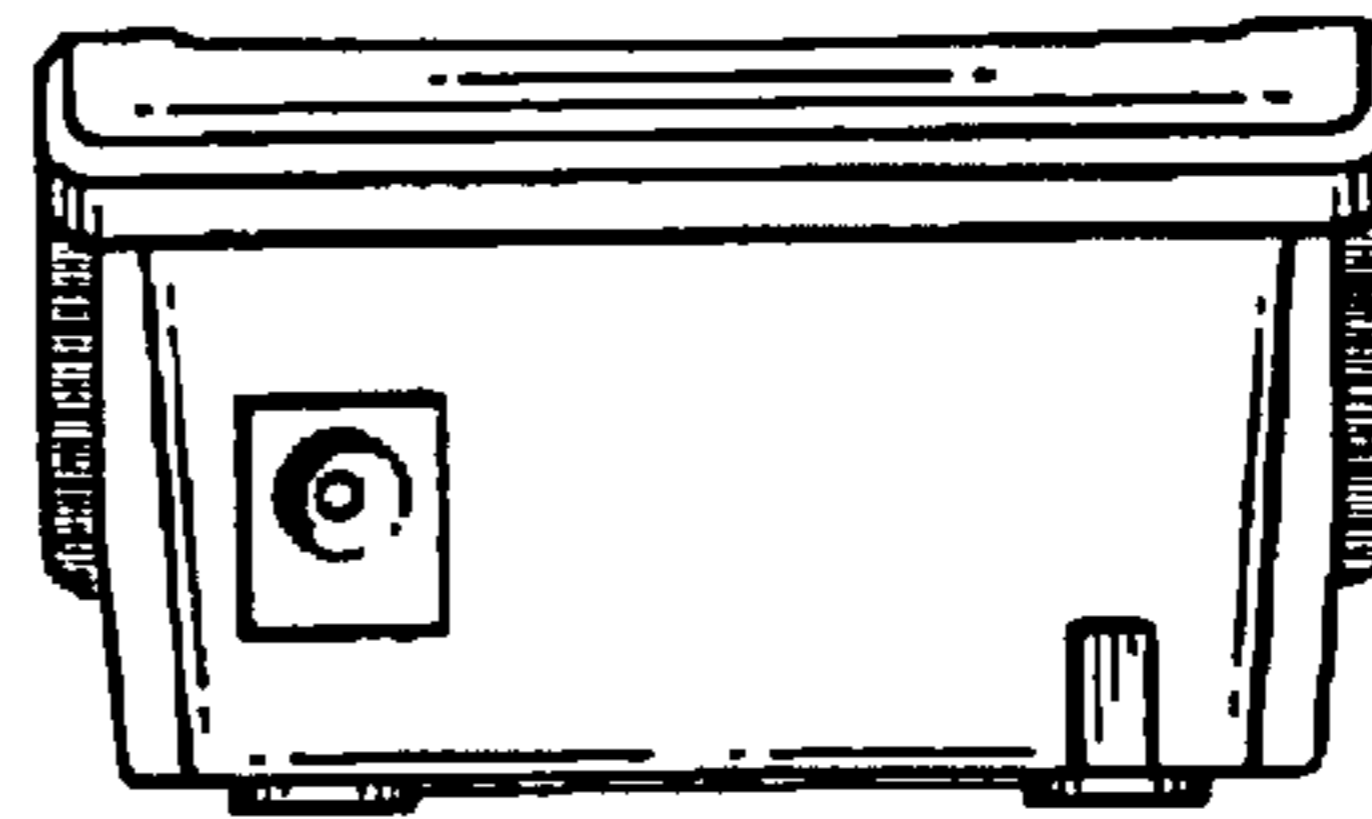


FIG. 4

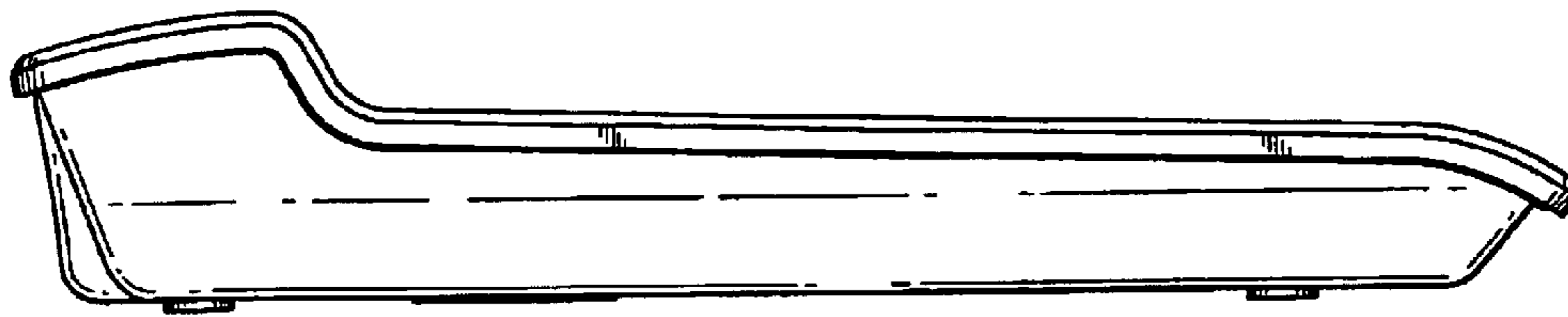


FIG. 5

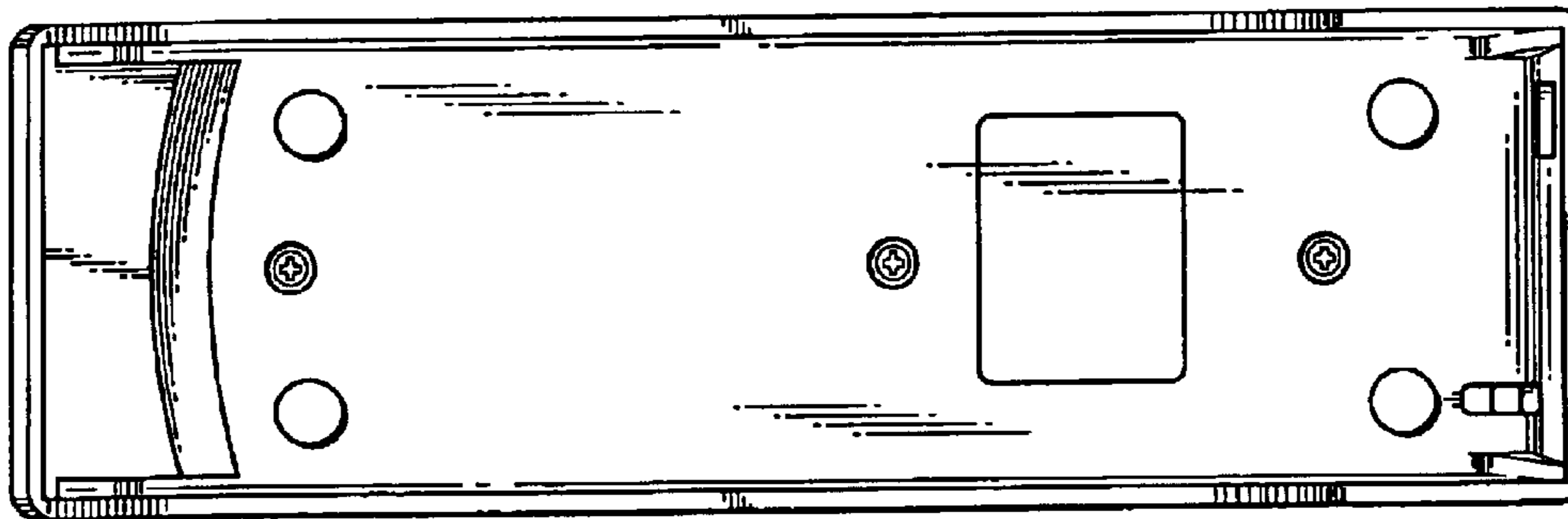


FIG. 6

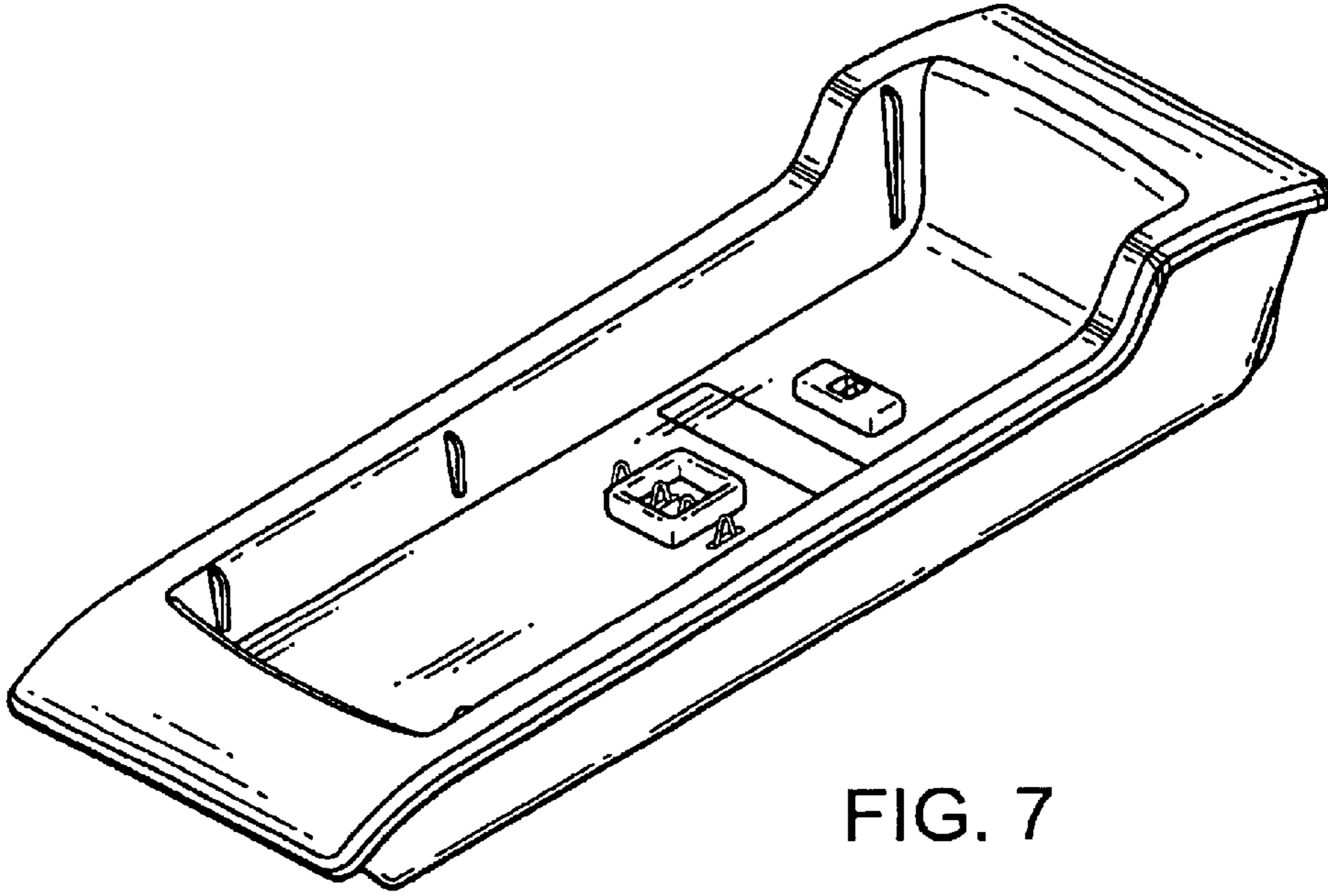


FIG. 7

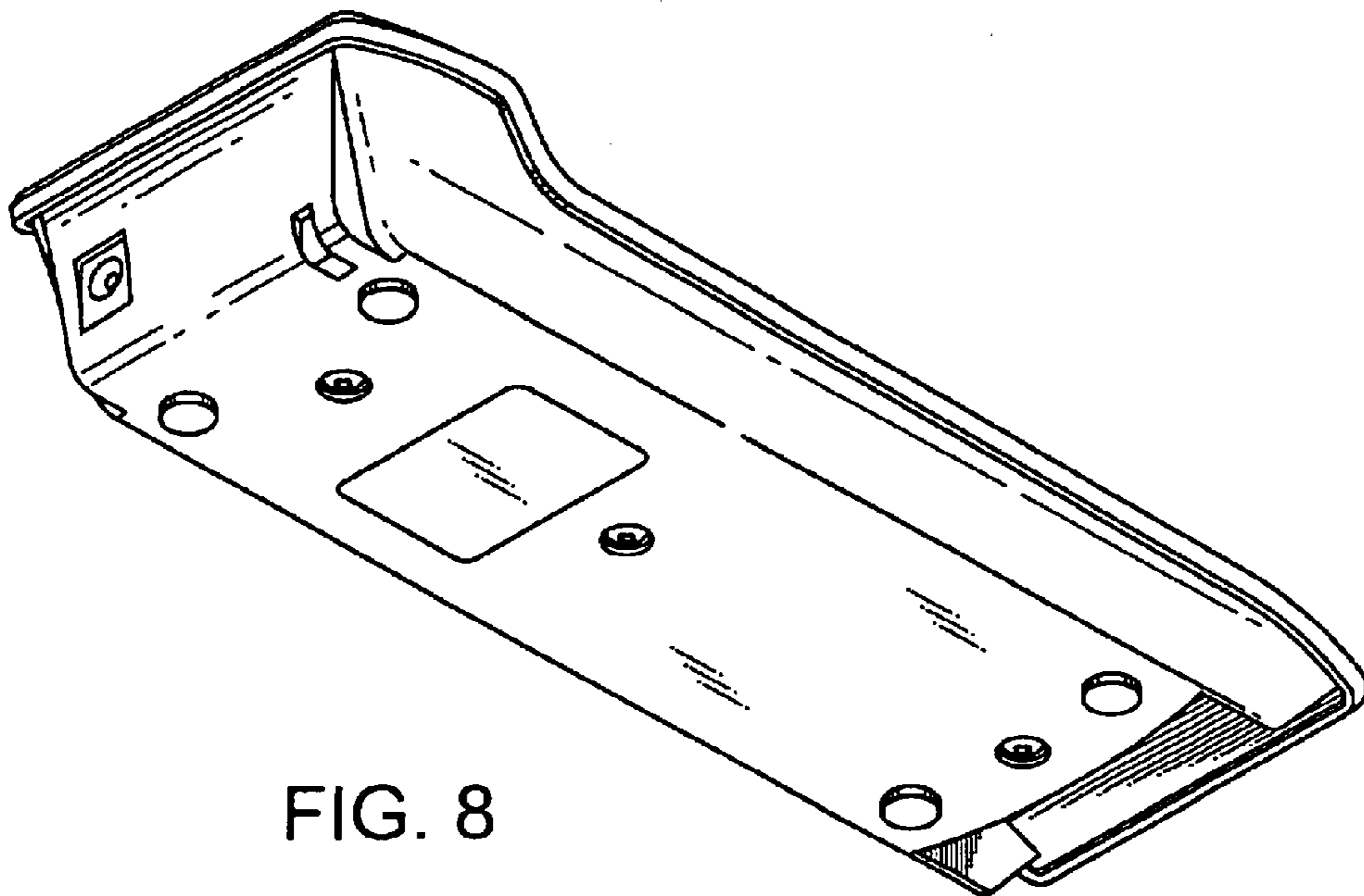


FIG. 8