



US00D515027S

(12) **United States Design Patent** (10) **Patent No.:** **US D515,027 S**
Groh et al. (45) **Date of Patent:** **** Feb. 14, 2006**

(54) **BATTERY MODULE**
(75) Inventors: **William S. Groh**, Knoxville, TN (US);
Christopher E. Mainini, Knoxville, TN (US)
(73) Assignee: **Radio Systems Corporation**,
Knoxville, TN (US)
(**) Term: **14 Years**

D425,855 S * 5/2000 Buckle D13/103
D426,188 S * 6/2000 Buckle D13/103
D426,189 S * 6/2000 Buckle D13/103
D426,515 S * 6/2000 Buckle D13/103
D426,517 S * 6/2000 Buckle D13/103
D426,806 S * 6/2000 Buckle D13/103
D427,144 S * 6/2000 Buckle D13/103
D439,561 S 3/2001 Lee, IV et al.

* cited by examiner

Primary Examiner—Alan P. Douglas
Assistant Examiner—Rosemary K. Tarcza
(74) *Attorney, Agent, or Firm*—Pitts & Brittan, P.C.

(21) Appl. No.: **29/215,951**
(22) Filed: **Oct. 27, 2004**
(51) **LOC (8) Cl.** **13-02**
(52) **U.S. Cl.** **D13/103**
(58) **Field of Classification Search** D13/102–106,
D13/110, 118–119, 184; 429/96–100, 121,
429/163, 176
See application file for complete search history.

(57) **CLAIM**

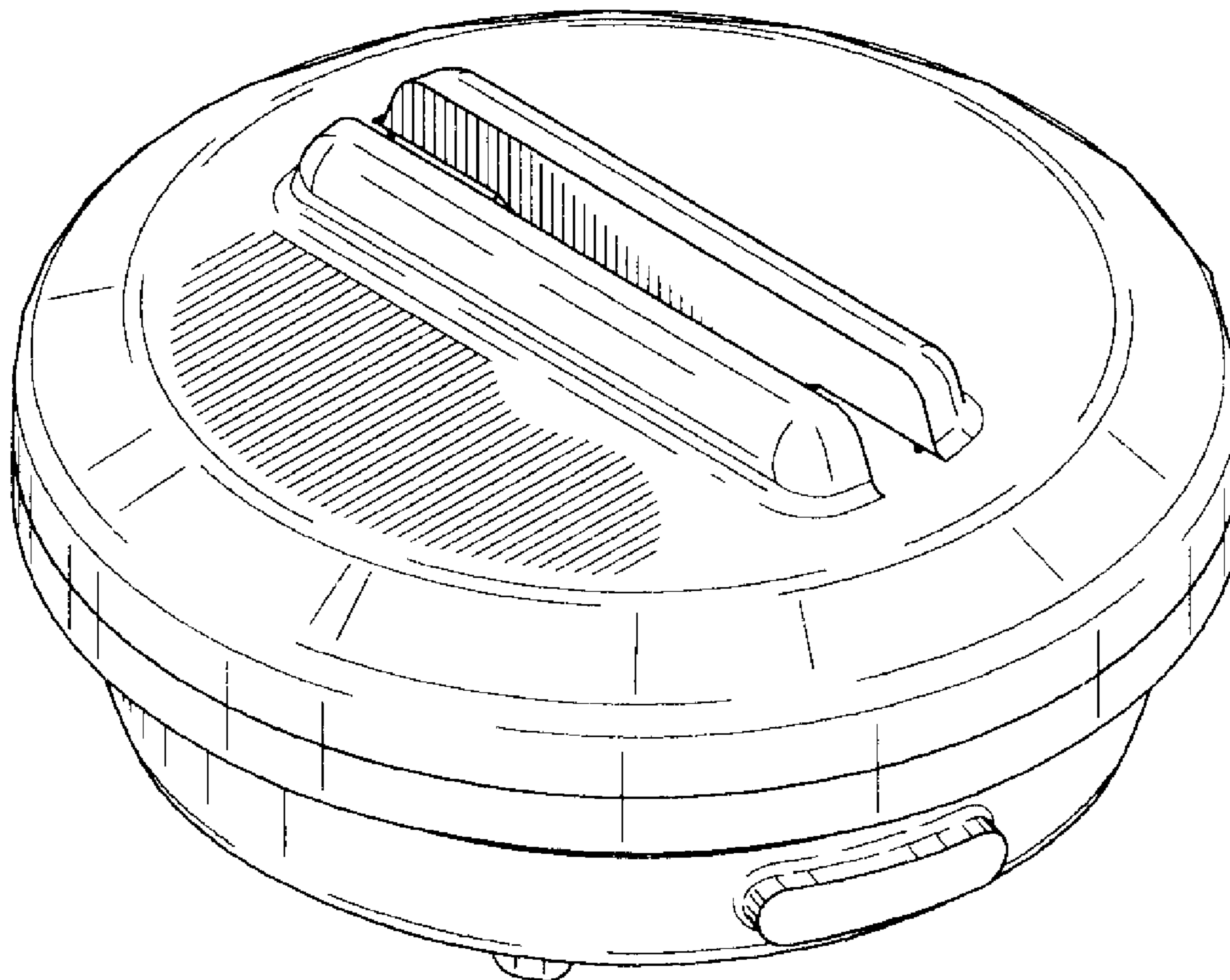
We claim the ornamental design for a battery module, as shown and described.

DESCRIPTION

FIG. 1 is a perspective view of a battery module of the present invention; FIG. 2 is a top plan view thereof; FIG. 3 is a bottom plan view thereof; FIG. 4 is a right side elevation view, the left side elevation view being a mirror image thereof; and, FIG. 5 is a front elevation view, the rear side elevation view being a mirror image thereof.

(56) **References Cited**
U.S. PATENT DOCUMENTS
D106,163 S * 9/1937 Williams D13/103
4,347,292 A * 8/1982 Bernard et al. 429/65
4,913,981 A * 4/1990 Hynes et al. 429/1
D353,130 S * 12/1994 Aldrich et al. D13/102
D425,477 S * 5/2000 Buckle D13/103
D425,478 S * 5/2000 Buckle D13/103

1 Claim, 3 Drawing Sheets



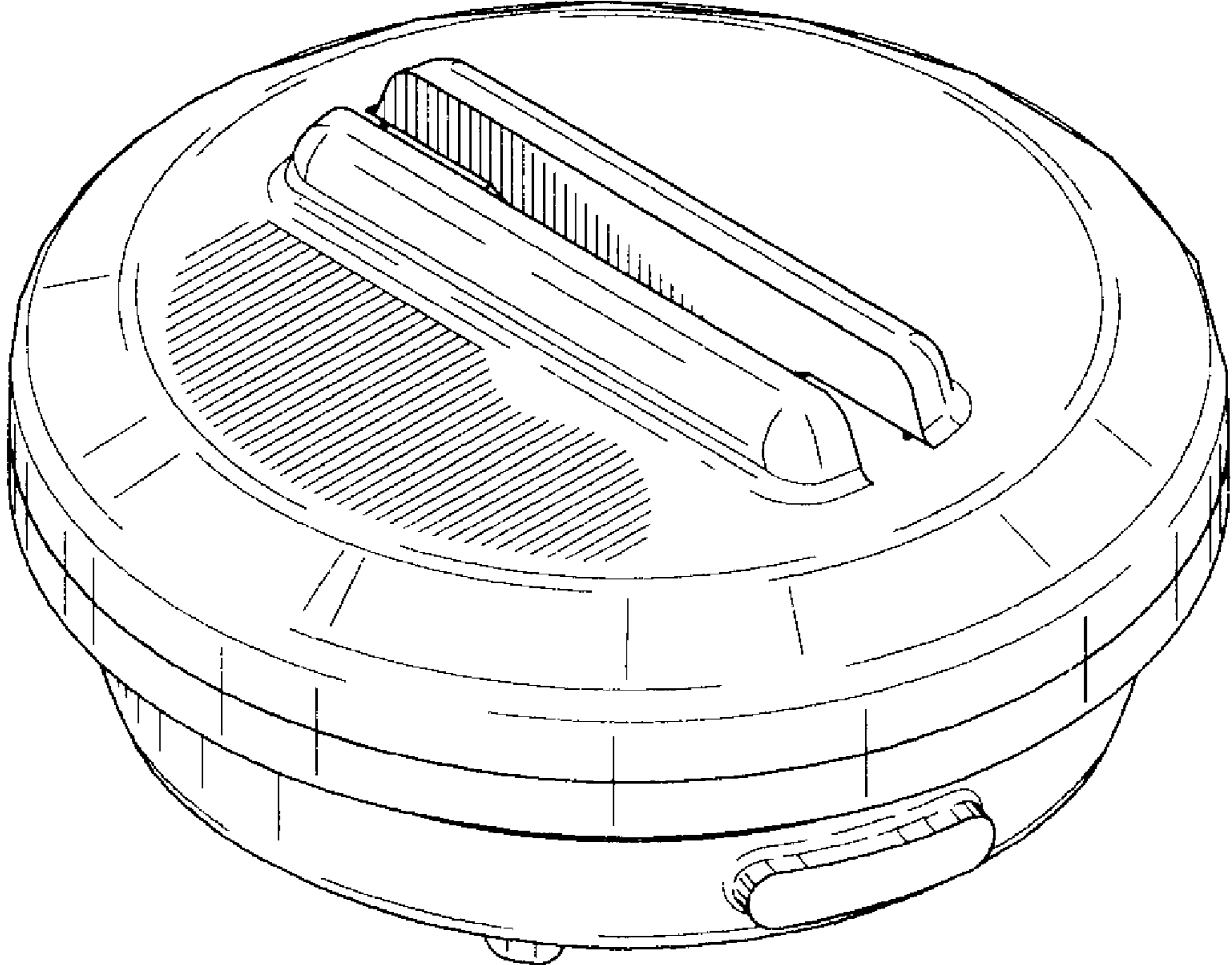


Fig. 1

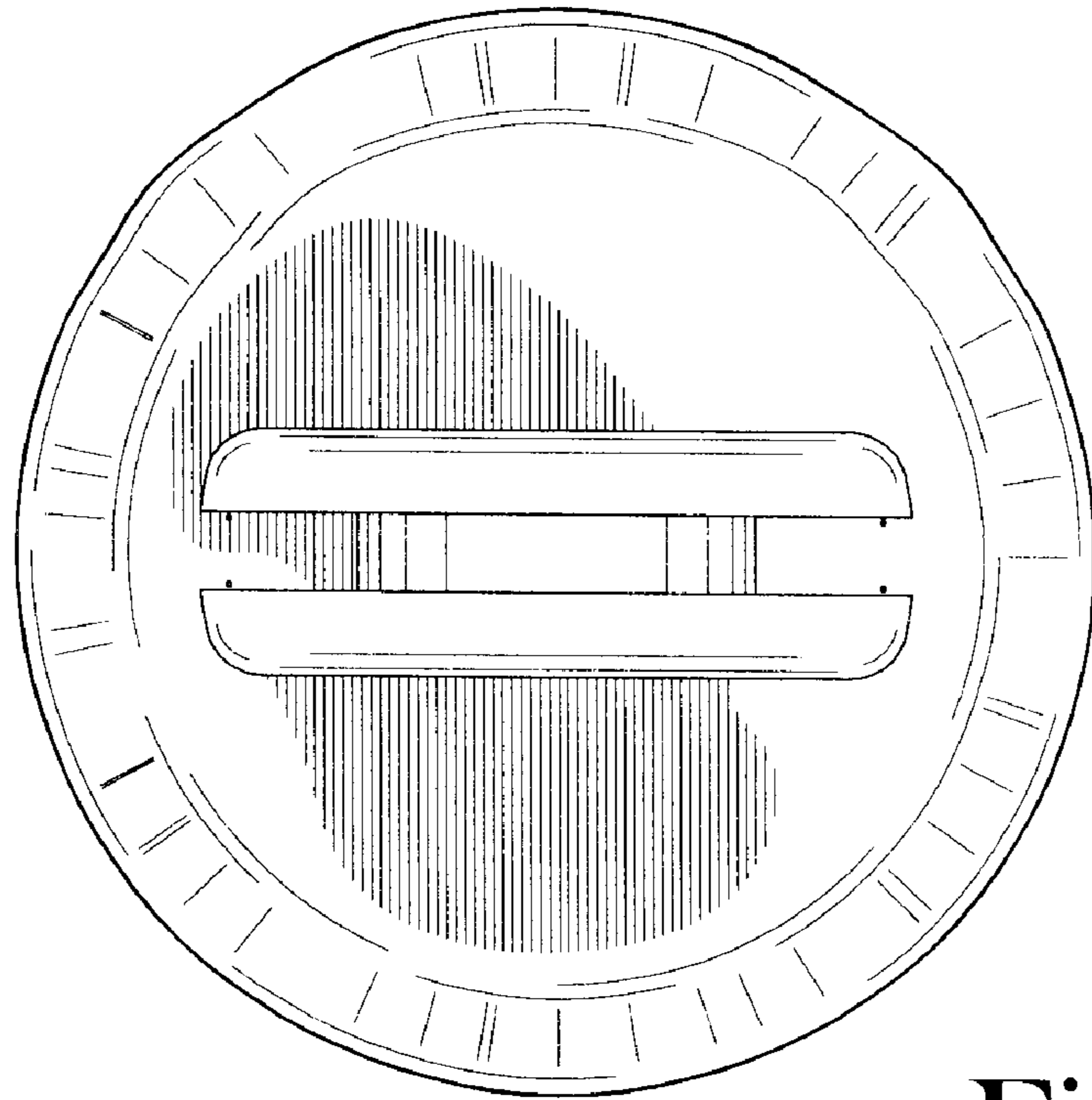


Fig. 2

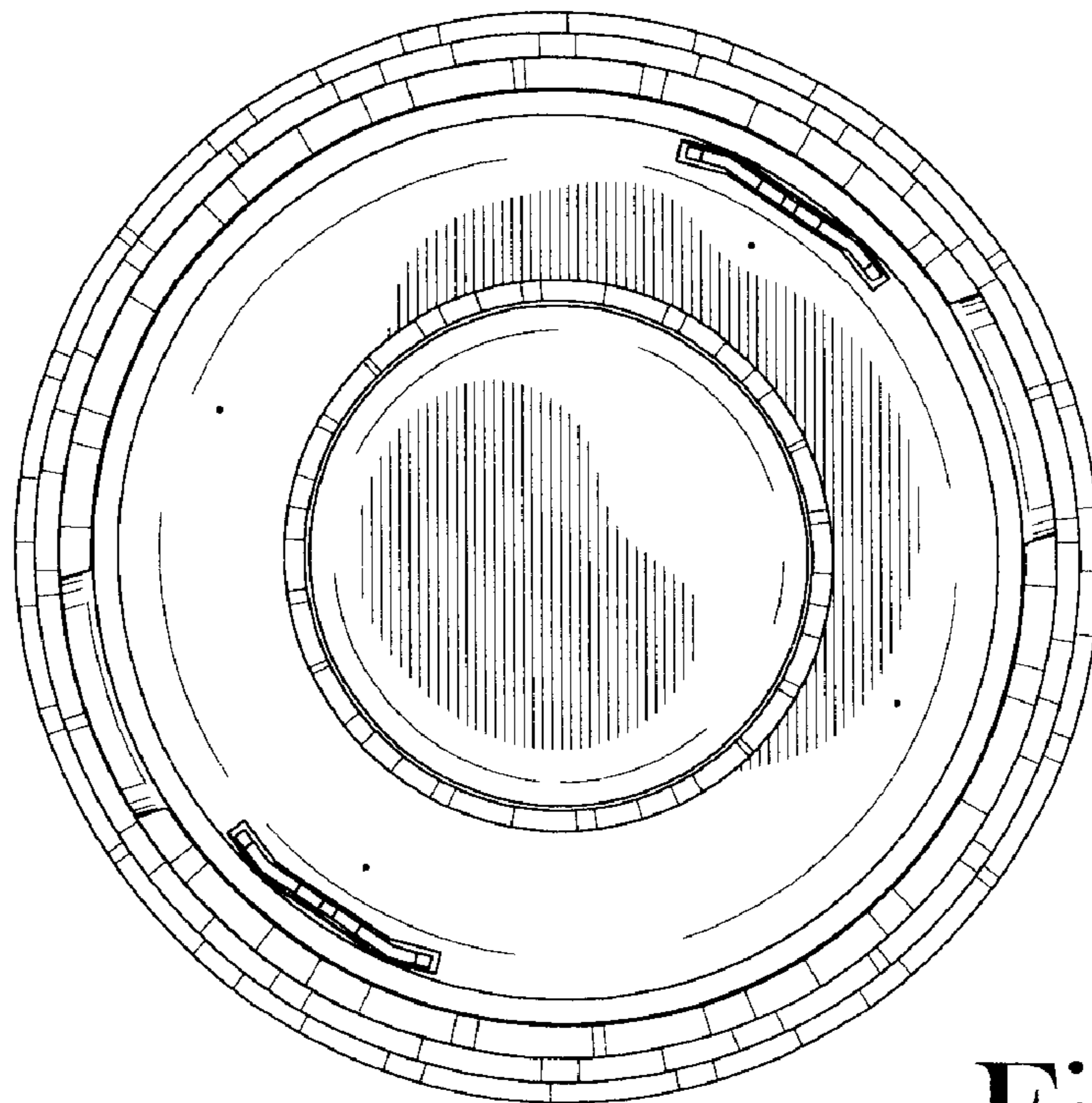


Fig. 3

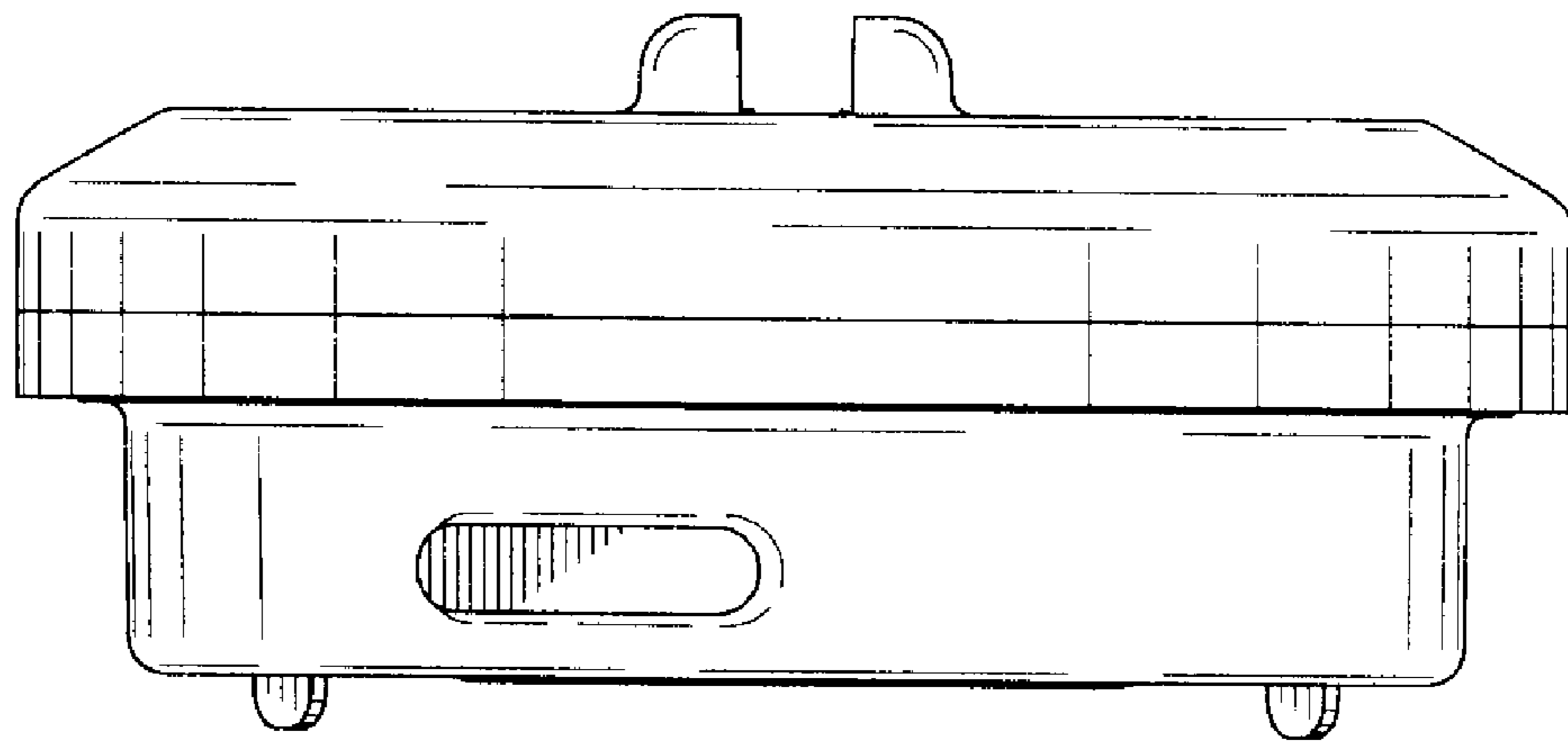


Fig. 4

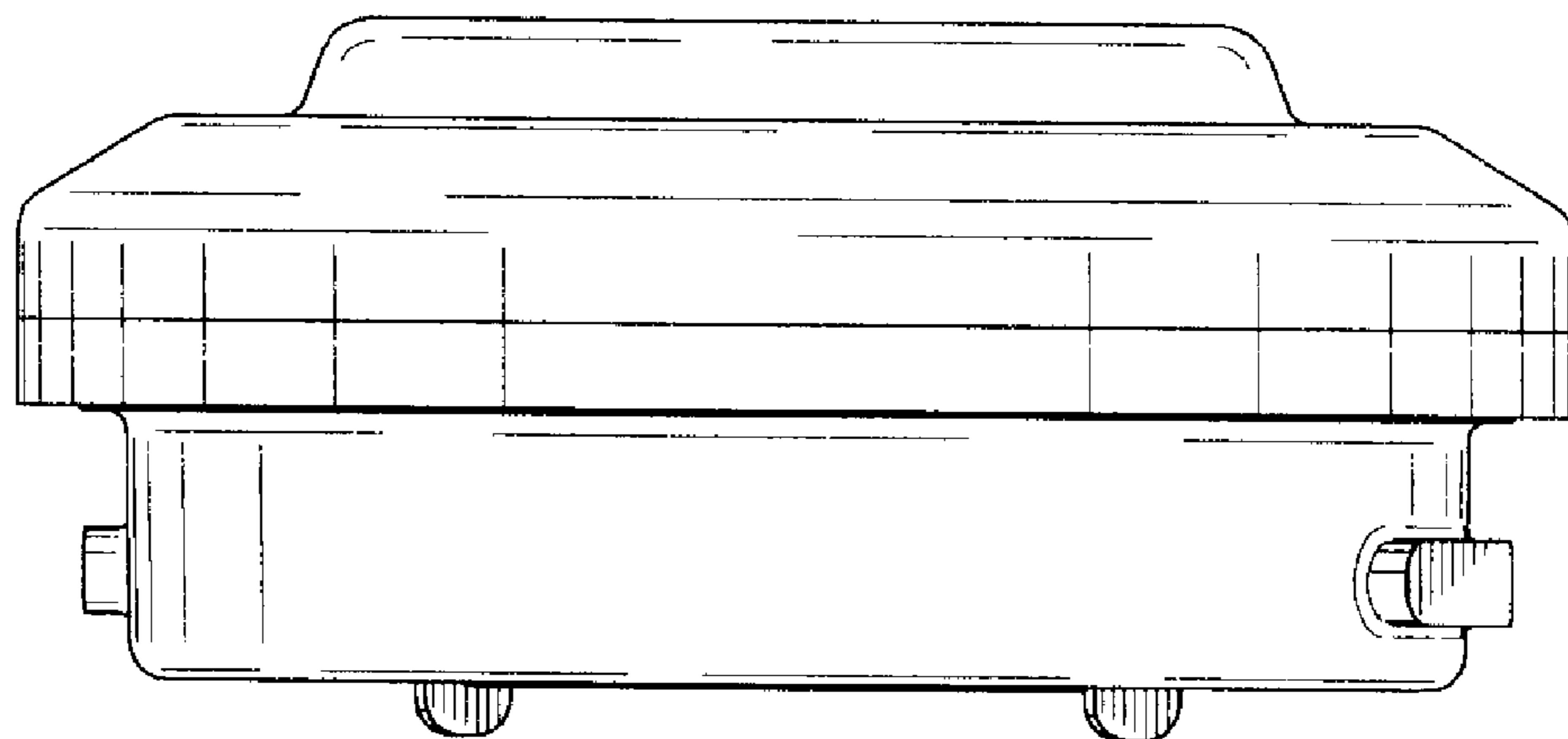


Fig. 5