



US00D515026S

(12) **United States Design Patent**
Schlieffers et al.

(10) **Patent No.: US D515,026 S**

(45) **Date of Patent: ** *Feb. 14, 2006**

(54) **BATTERY**

(75) Inventors: **Jorg Schlieffers**, Streatley-on-Thames (GB); **Alistair Hamilton**, Stony Brook, NY (US); **Sudhir Bhatia**, Brooklyn, NY (US); **Katrika Woodcock**, Reading (GB); **Quintin Morris**, Reading (GB); **Richard Hanks**, Swansea, MA (US); **Robert Kowalski**, Commack, NY (US); **Lister Chen**, Taipei Hsien (TW); **Calvin Chen**, Taipei Hsien (TW)

(73) Assignee: **Symbol Technologies, Inc.**, Holtsville, NY (US)

(*) Notice: This patent is subject to a terminal disclaimer.

(**) Term: **14 Years**

(21) Appl. No.: **29/208,586**

(22) Filed: **Jun. 30, 2004**

(51) **LOC (8) Cl.** **13-02**

(52) **U.S. Cl.** **D13/103**

(58) **Field of Classification Search** D13/102-106, D13/110, 119, 184; 429/96-100, 163, 178
See application file for complete search history.

(56) **References Cited**

U.S. PATENT DOCUMENTS

D277,747 S * 2/1985 Toth D13/103

D306,583 S * 3/1990 Krolopp et al. D14/137
D328,733 S * 8/1992 Seymour D13/103
D331,566 S * 12/1992 Seymour D13/103
D358,127 S * 5/1995 Berry D13/103
D362,424 S * 9/1995 Sumita et al. D13/103
D402,954 S * 12/1998 Waldner D13/103
D413,857 S * 9/1999 Peterzell et al. D13/103
D417,188 S * 11/1999 Maeyama D13/103
D422,263 S * 4/2000 Waldner D13/103
D432,982 S * 10/2000 Miyashita D13/103
D456,001 S * 4/2002 Arbisi et al. D13/103

* cited by examiner

Primary Examiner—Alan P. Douglas

Assistant Examiner—Rosemary Tarca

(74) *Attorney, Agent, or Firm*—Amin & Turocy, LLP

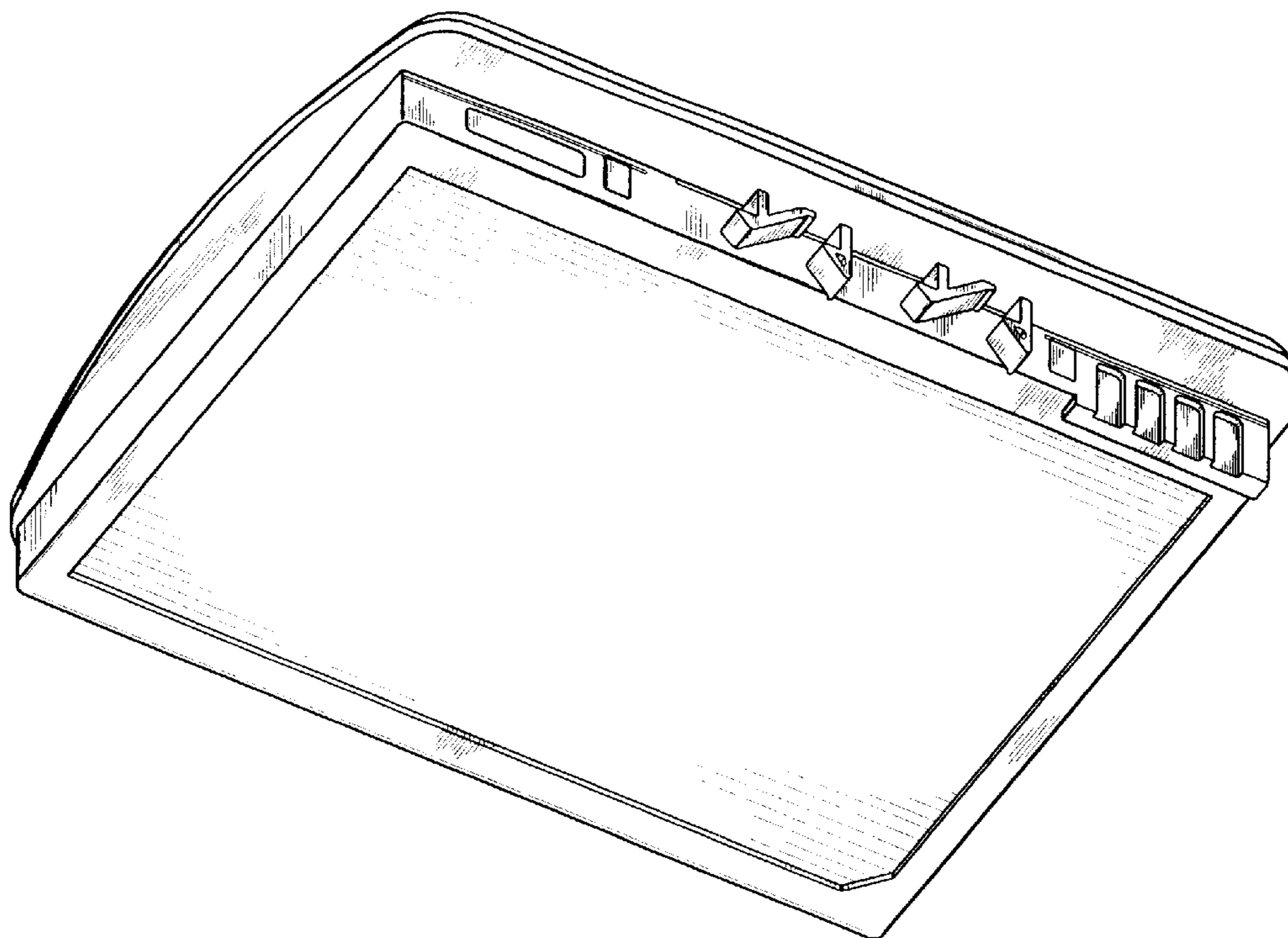
(57) **CLAIM**

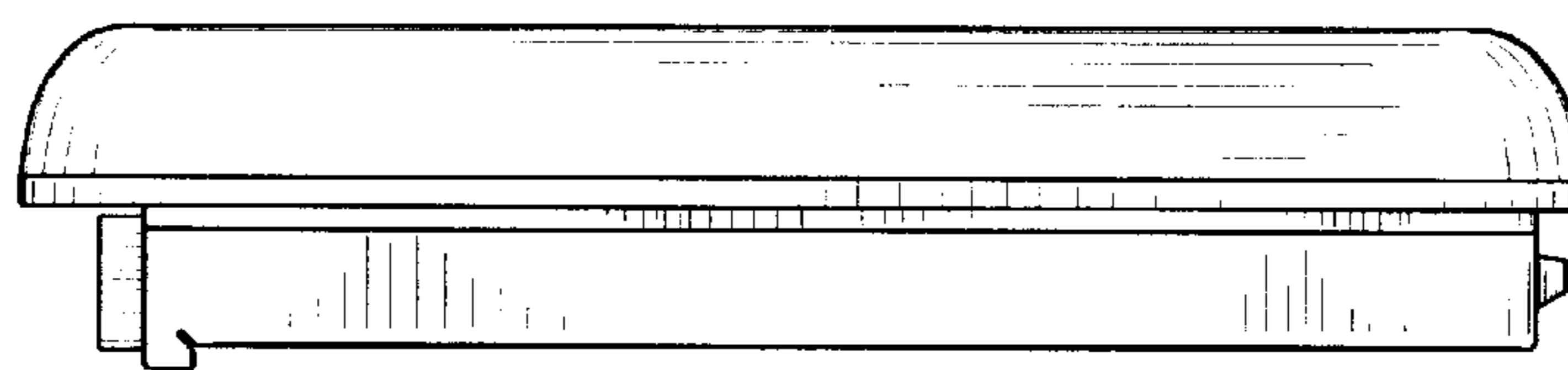
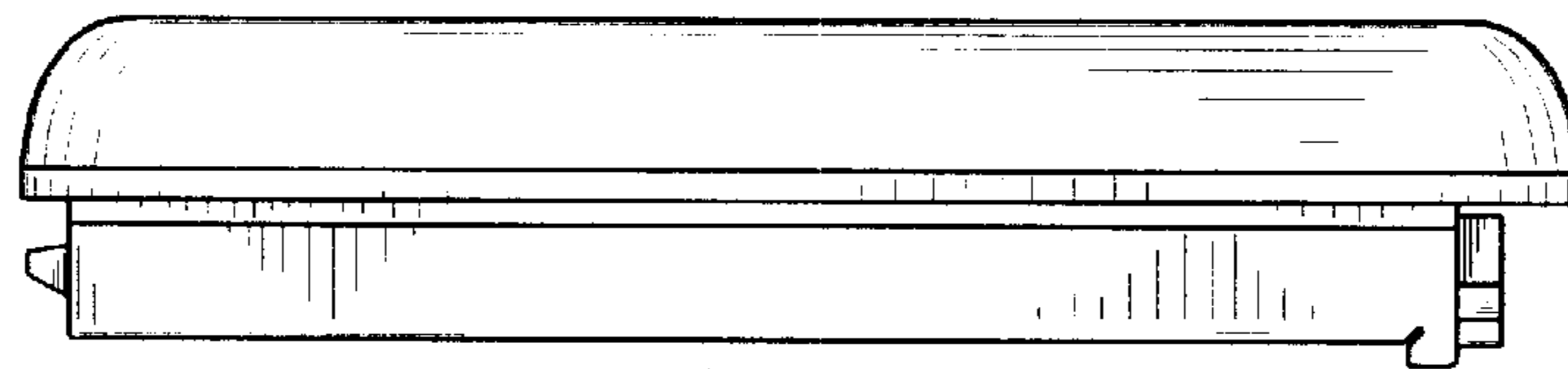
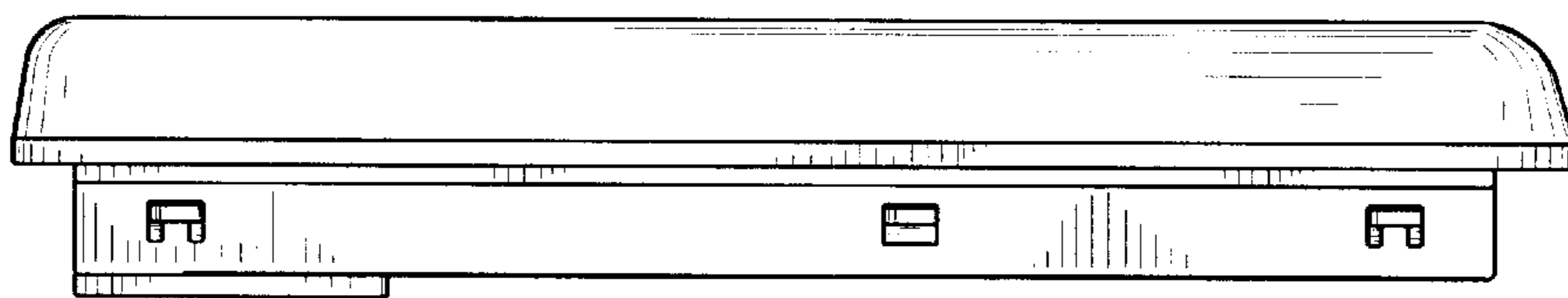
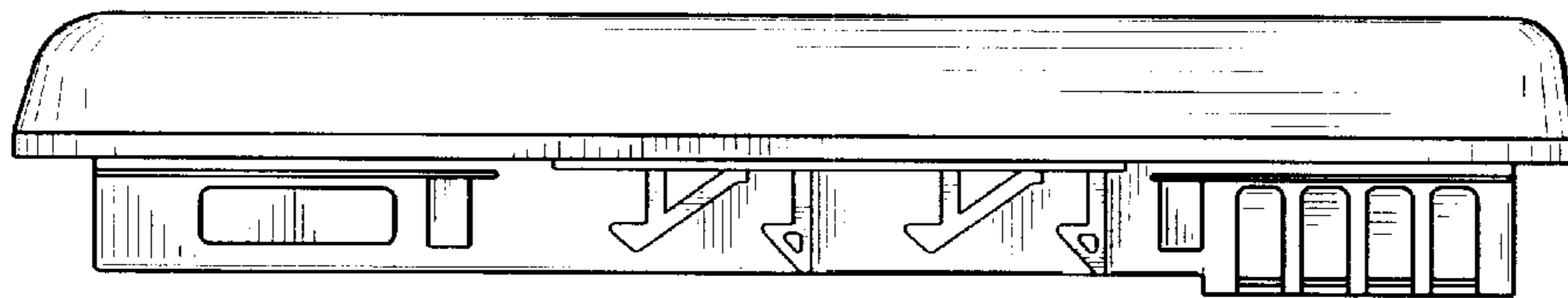
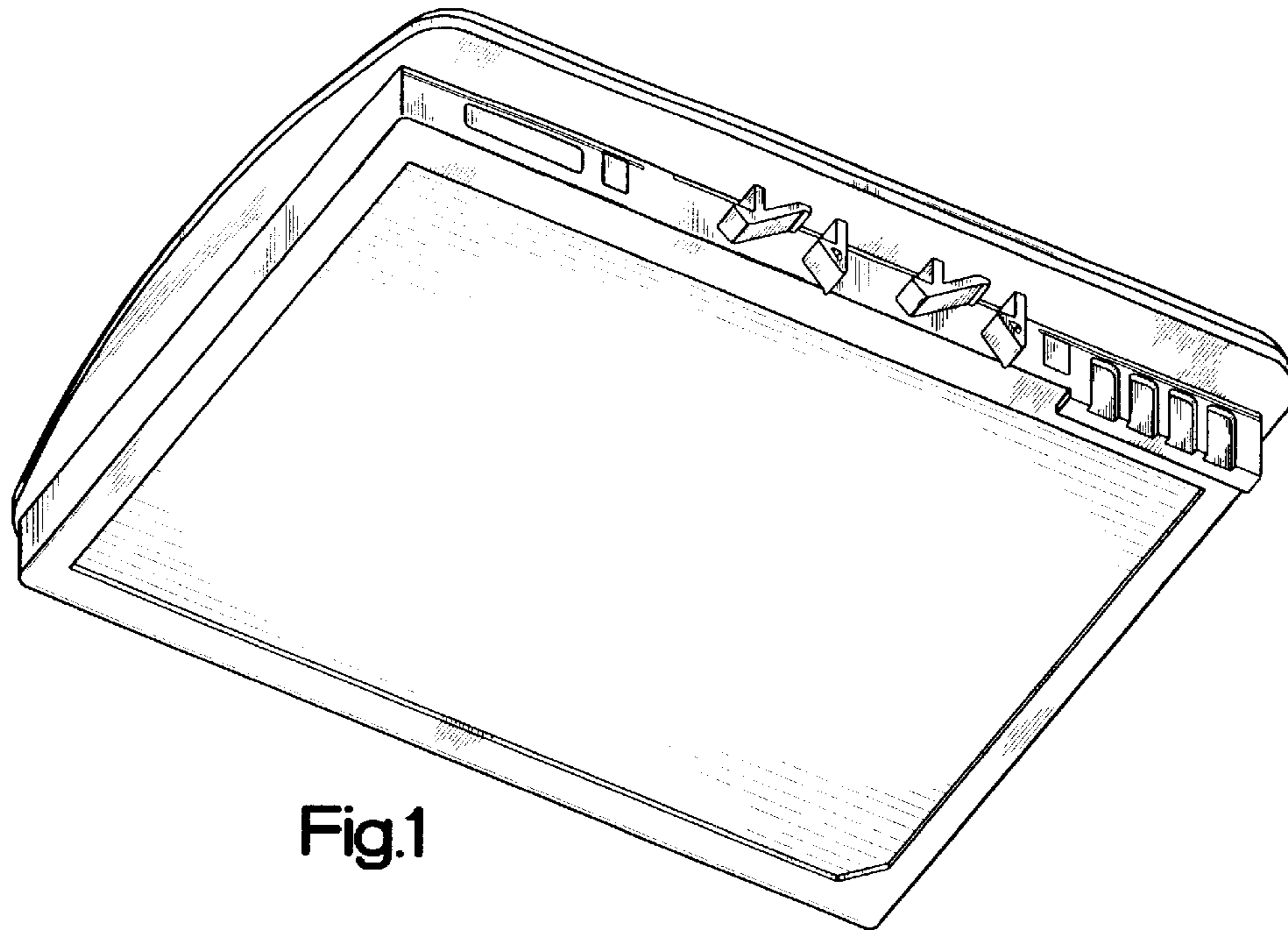
The ornamental design for a battery, as shown and described.

DESCRIPTION

FIG. 1 is a perspective view of the front, top, and right side of a battery showing our new design;
FIG. 2 is a right side view thereof;
FIG. 3 is a left side view thereof;
FIG. 4 is a top view thereof;
FIG. 5 is a bottom view thereof;
FIG. 6 is a back view thereof; and,
FIG. 7 is a front view thereof.

1 Claim, 2 Drawing Sheets





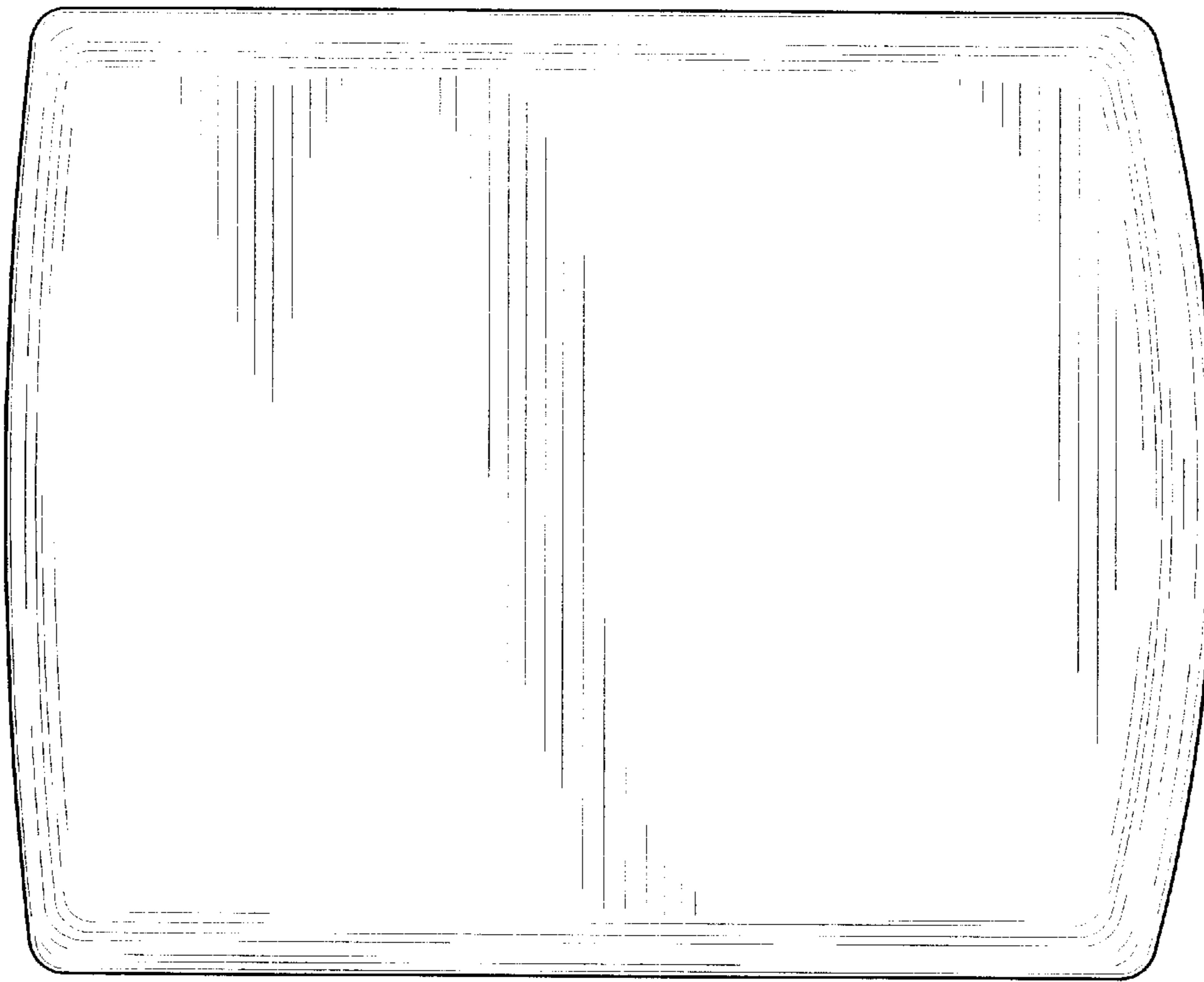


Fig.6

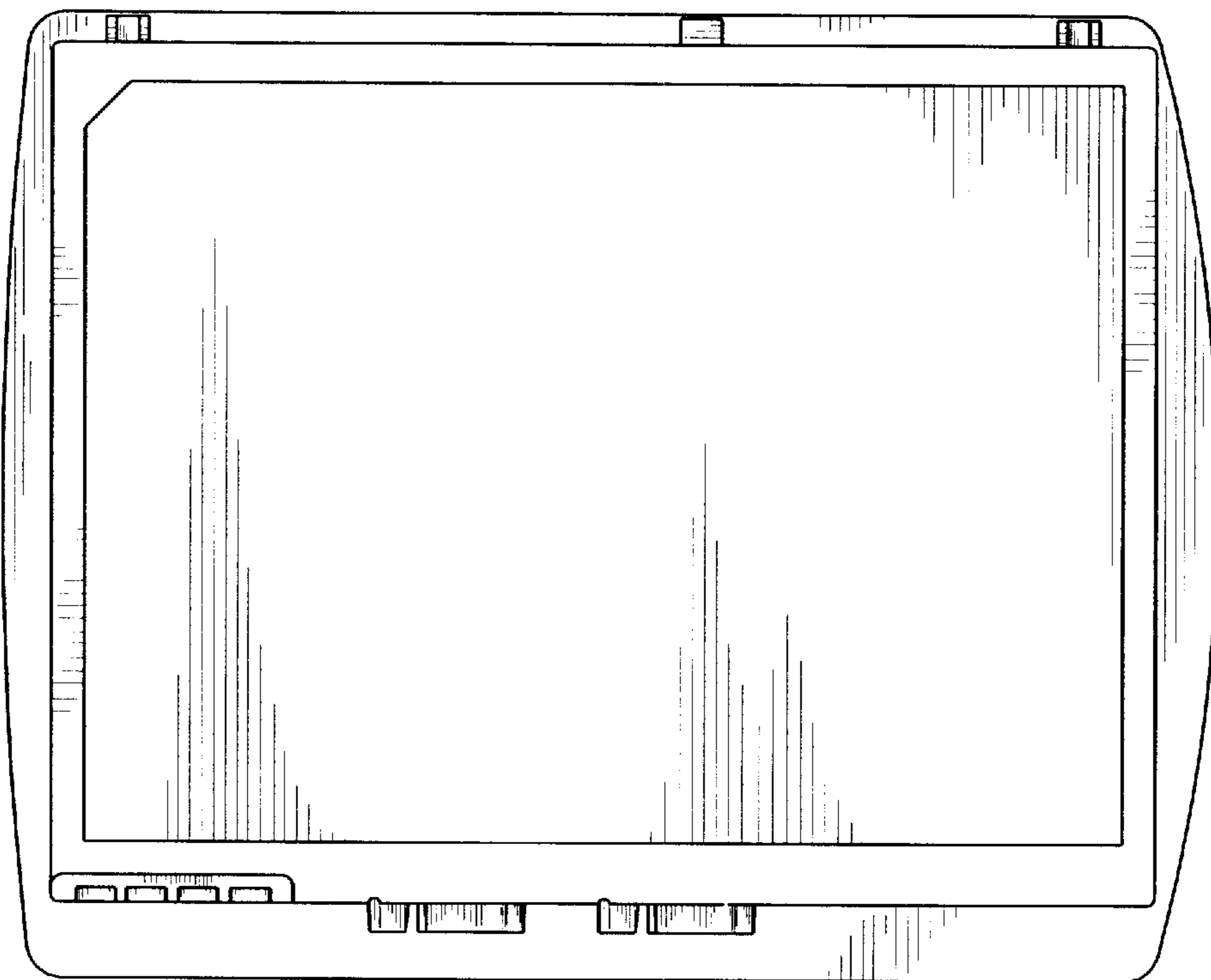


Fig.7